

## 7. Parts catalog

### How to use this parts catalog

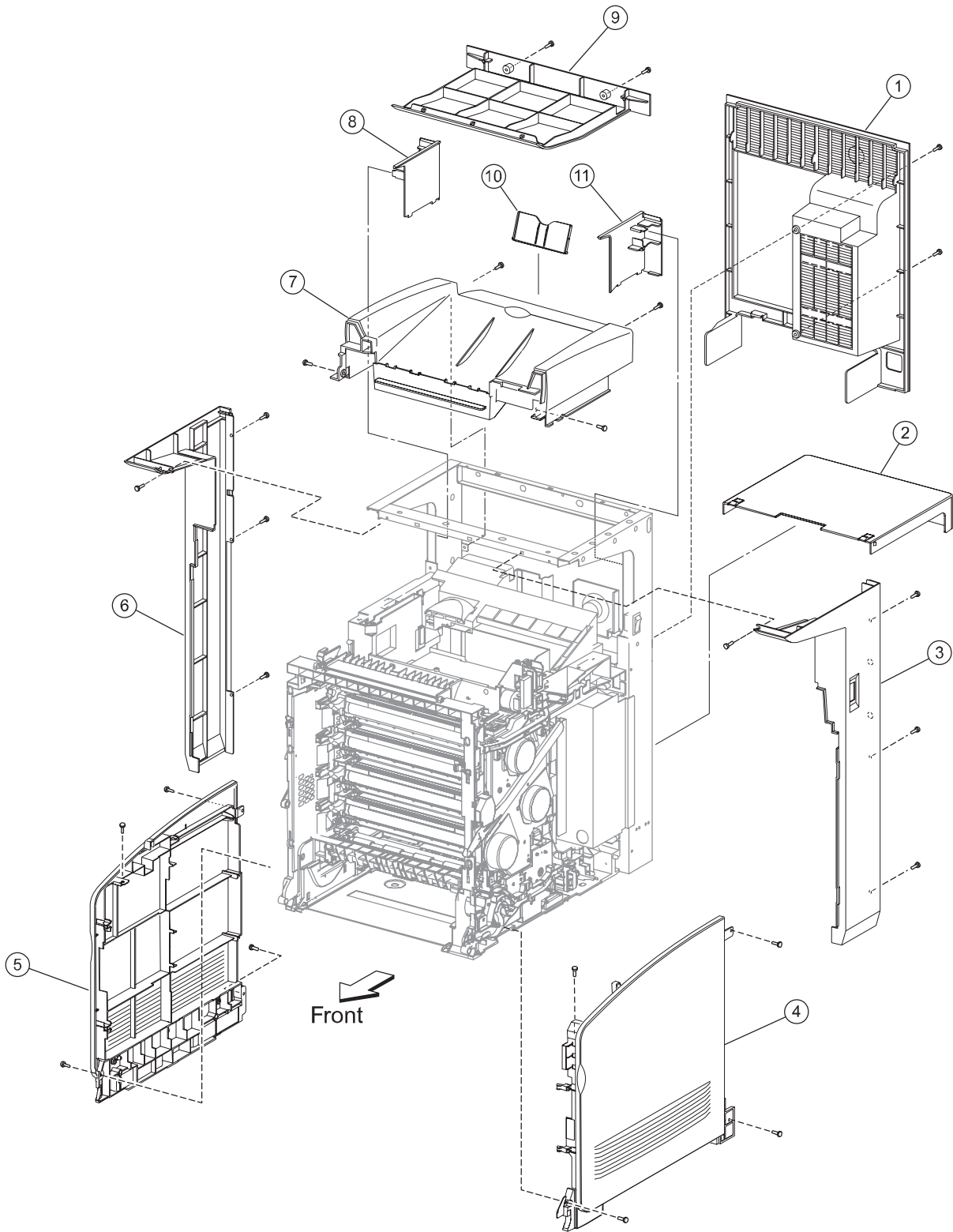
The following legend is used in the parts catalog:

Asm-index	Part number	Units/MFP	Units/FRU	Description
-----------	-------------	-----------	-----------	-------------

- **Asm-index:** Identifies the assembly and the item in the diagram. For example, 3-1 indicates Assembly 3 and item number 1 in the table.
- **Part number:** Identifies the unique number that identifies this FRU.
- **Units/mach:** Refers to the number of units actually used in the base machine or product.
- **Units/FRU:** Refers to the number of units packaged together and identified by the part number.
- **NS:** (Not shown) in the Asm-Index column indicates that the part is procurable but is not pictured in the illustration.
- **PP:** (Parts Packet) in the parts description column indicates the part is contained in a parts packet.
- Model information used in the parts catalog:

Machine type and model	Description
7105-135	Lexmark X560 MFP

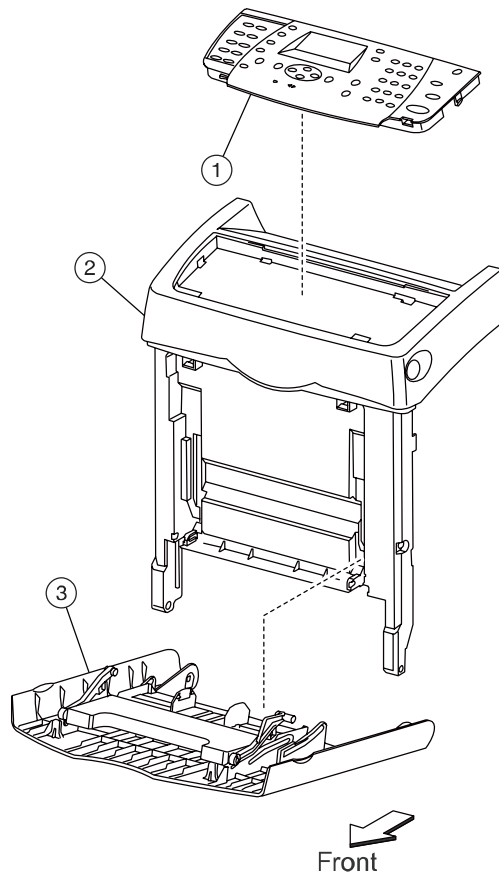
# Assembly 1: Covers



**Assembly 1: Covers**

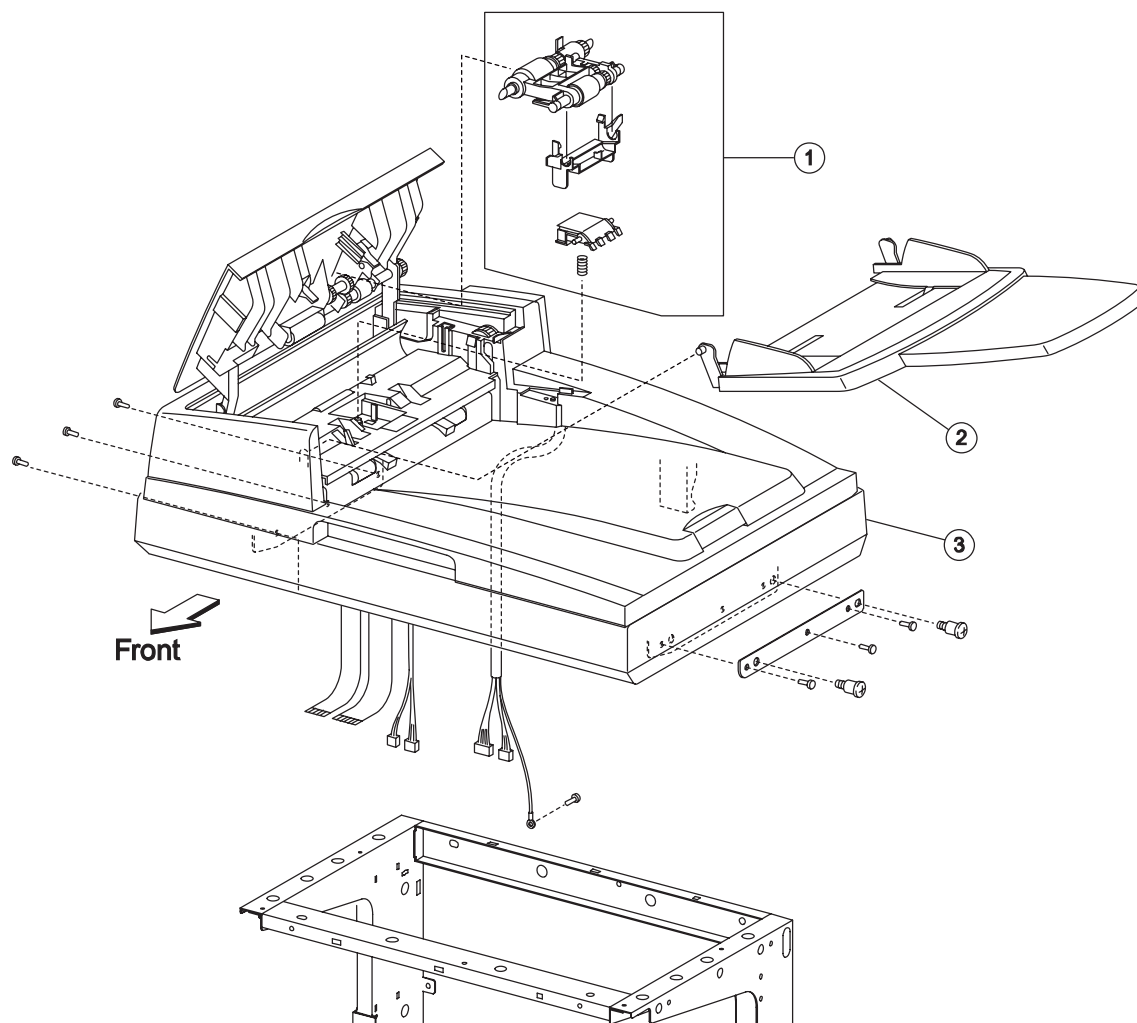
<b>Asm-index</b>	<b>Part number</b>	<b>Units/MFP</b>	<b>Units/FRU</b>	<b>Description</b>
1—1	40X4894	1	1	Rear cover
2	40X4895	1	1	Tray cover
3	40X4896	1	1	Right pole cover
4	40X4897	1	1	Right cover
5	40X4898	1	1	Left cover
6	40X4899	1	1	Left pole cover
7	40X4889	1	1	Top cover
8	40X4891	1	1	Inner left pole cover
9	40X4893	1	1	Bottom cover
10	40X4890	1	1	Extension cover
11	40X4892	1	1	Inner right pole cover
NS	40X4881	1	4	Feet (four in package)

## Assembly 2: Front cover and operator panel



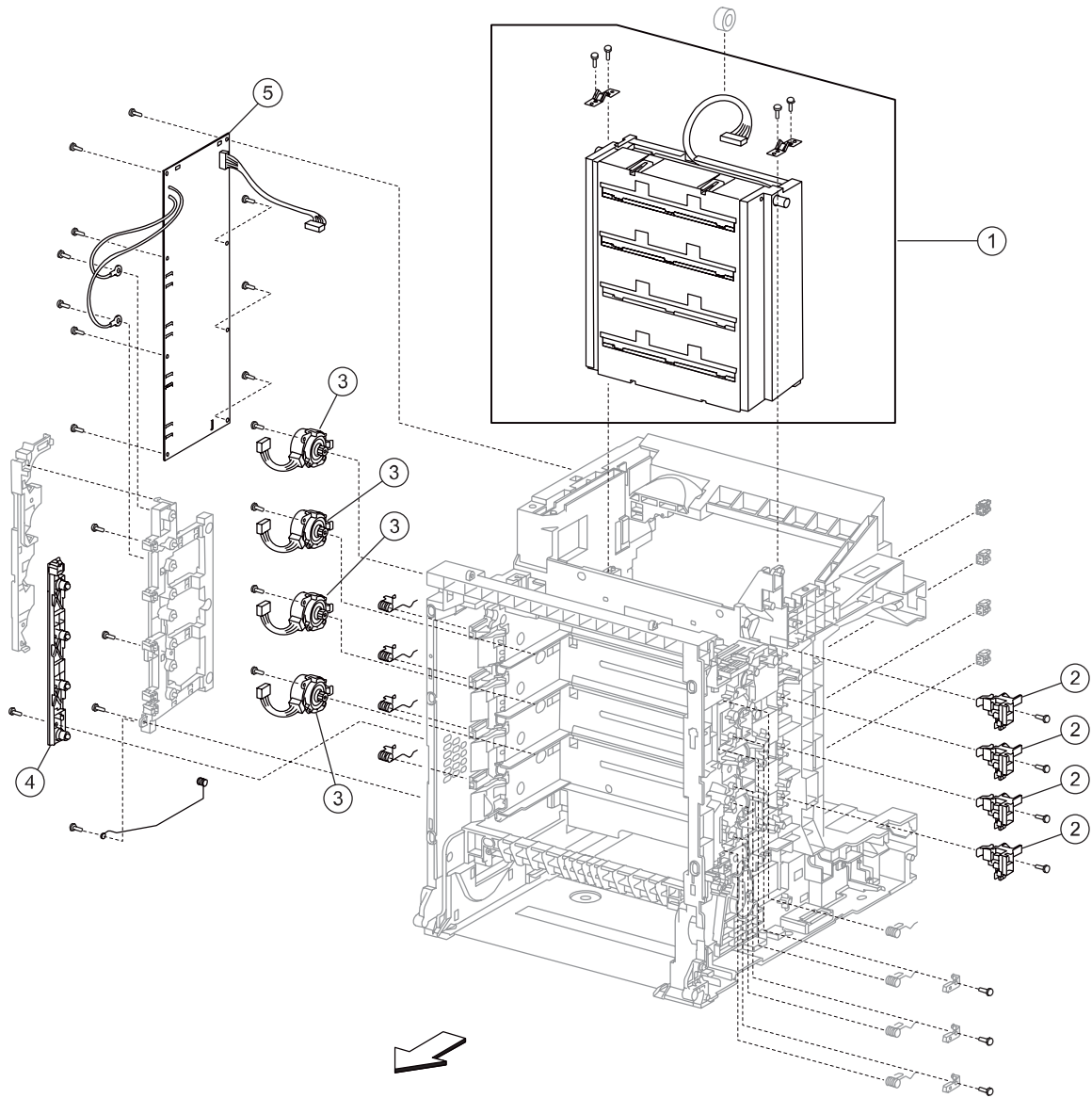
Asm-index	Part number	Units/MFP	Units/FRU	Description
2—1	40X4900	1	1	Operator panel
2	40X4902	1	1	Front cover assembly
3	40X4903	1	1	MP feeder cover assembly
NS	40X4884	2	1	Shaft pivot (one per package)

### Assembly 3: Scanner



Asm-index	Part number	Units/ MFP	Units/ FRU	Description
3—1	40X4924	1	1	ADF maintenance kit
2	40X4919	1	1	ADF tray assembly
3	40X4920	1	1	Scanner assembly

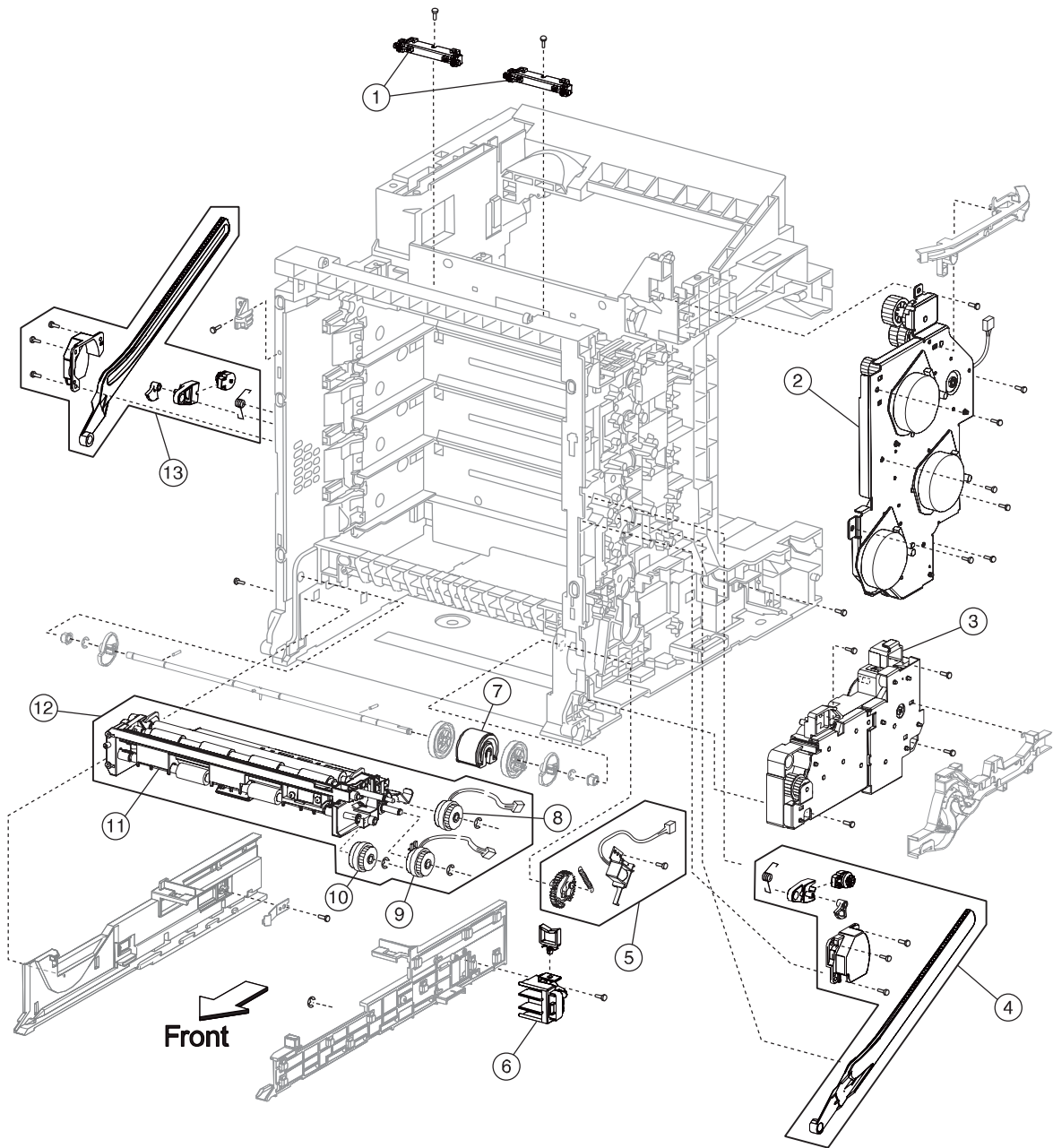
### Assembly 4: Imaging



**Assembly 4: Imaging**

<b>Asm-index</b>	<b>Part number</b>	<b>Units/MFP</b>	<b>Units/FRU</b>	<b>Description</b>
4—1	40X4904	1	1	Printhead assembly
2	40X4869	1	1	Toner sensor assembly
3	40X4870	1	1	Toner motor
4	40X4871	1	1	Erase lamp assembly
5	40X4872	1	1	High-voltage power supply (HVPS)
NS	40X4786	1	1	Plate A latch
NS	40X4785	1	1	Plate AD latch

### Assembly 5: Paper transport

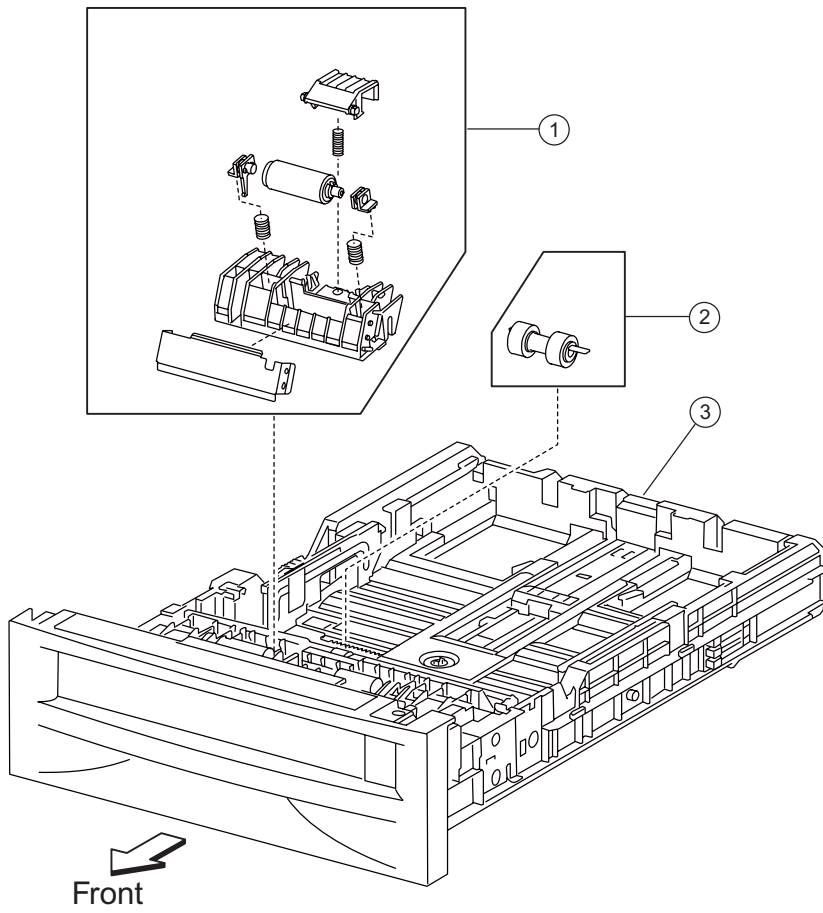




## Assembly 5: Paper transport

Asm-index	Part number	Units/MFP	Units/FRU	Description
5—1	40X4877	1	1	Spur assembly
2	40X4882	1	1	Main drive assembly
3	40X4883	1	1	Feed drive assembly (PH drive)
4	40X4880	1	1	Right door link assembly
5	40X4864	1	1	Feed solenoid
6	40X4878	1	1	Size switch assembly
7	40X4865	1	1	MP feeder feed kit
8	40X4863	1	1	Feed clutch
9	40X4923	1	1	Registration clutch
10	40X5080	1	1	Turn clutch
11	40X4867	1	1	Paper feed assembly w/o clutches
12	40X4921	1	1	Paper feed assembly with clutches
13	40X4879	1	1	Left door link assembly
NS	40X5082	1	1	Transparency sensor
NS	40X5081	1	1	Transparency LED

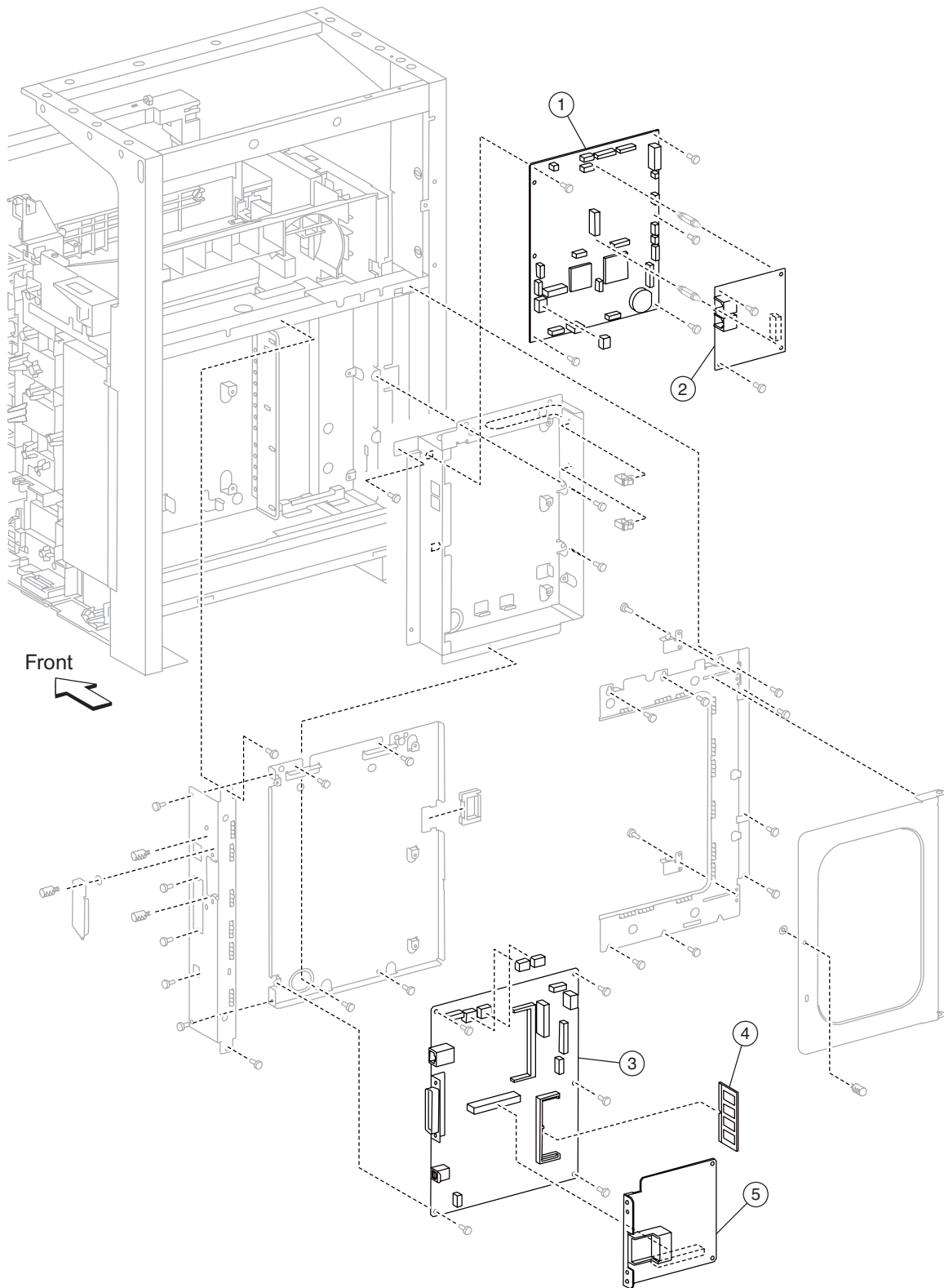
### Assembly 6: 250-sheet tray assembly



**Assembly 6: 250-sheet tray**

<b>Asm-index</b>	<b>Part number</b>	<b>Units/MFP</b>	<b>Units/FRU</b>	<b>Description</b>
6—1	40X4862	1	1	MP feeder separator roll kit
2	40X4866	1	1	Feed roll kit (250- and 550-sheet tray)
3	40X4859	1	1	250-sheet tray assembly

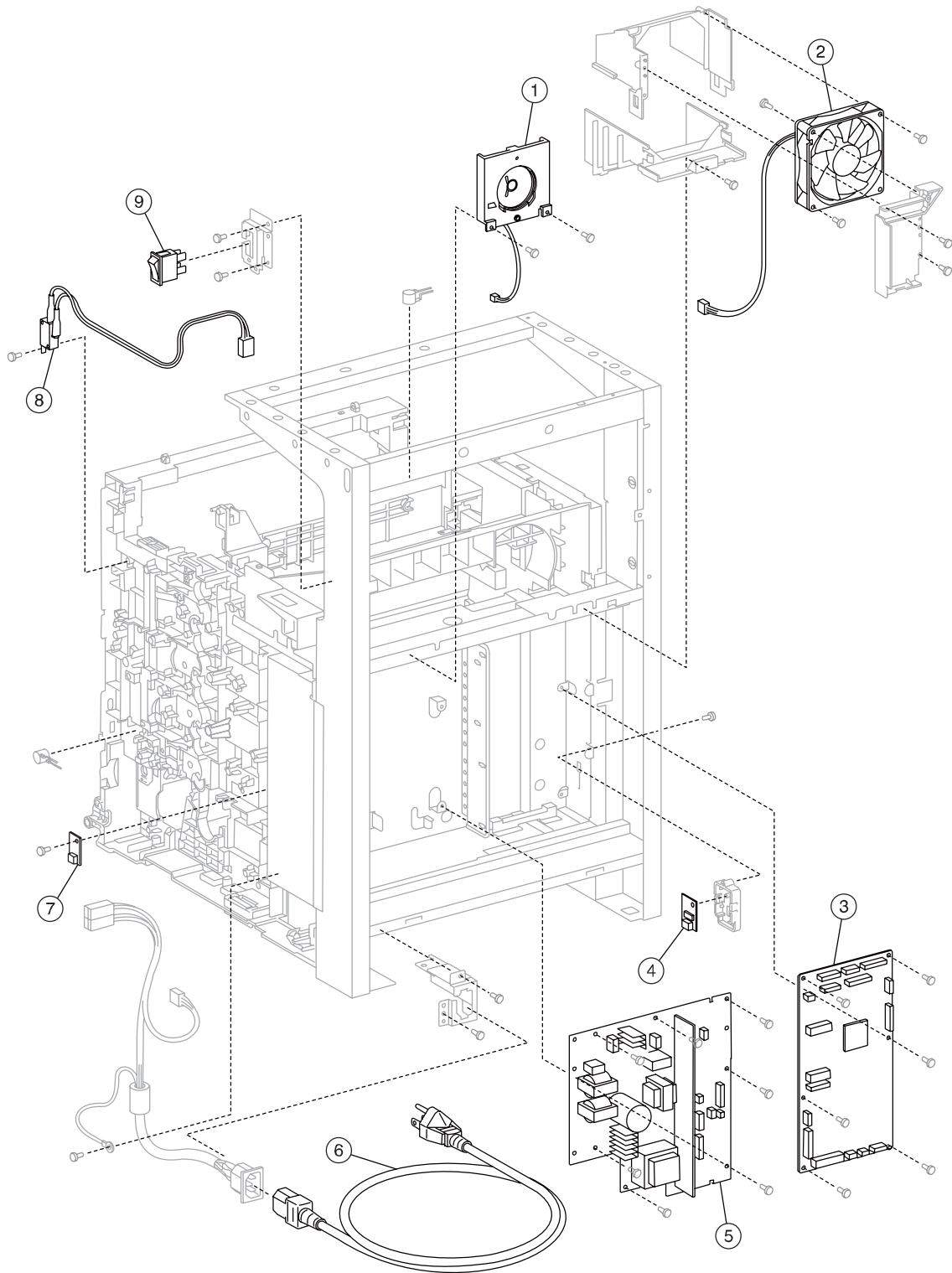
### Assembly 7: Electrical 1



**Assembly 7: Electrical 1**

<b>Asm-index</b>	<b>Part number</b>	<b>Units/MFP</b>	<b>Units/FRU</b>	<b>Description</b>
7—1	40X4905	1	1	Engine board
2	40X4906	1	1	Fax card
3	40X4907	1	1	RIP board
4	40X5301	1	1	256MB DIMM
4	40X5302	1	1	512MB DIMM
4	40X5303	1	1	1G DIMM
5	40X5091	1	1	Multi-Protocol Network Card

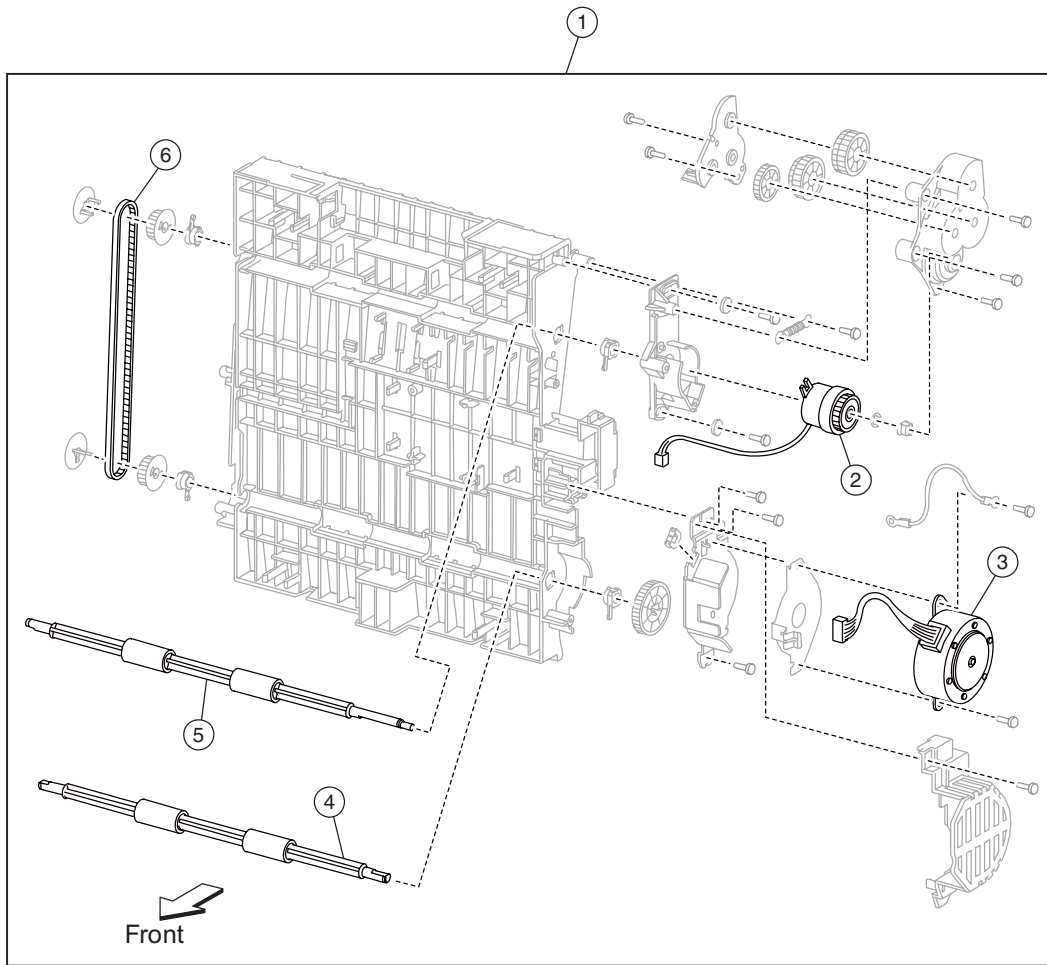
## Assembly 8: Electrical 2



**Assembly 8: Electrical 2**

Asm-index	Part number	Units/MFP	Units/FRU	Description
8—1	40X4910	1	1	Speaker assembly
2	40X4911	1	1	Fan assembly
3	40X4913	1	1	Controller board
4	40X4912	1	1	Humidity sensor
5	40X4914	1	1	115 V Low-voltage power supply (LVPS)
5	40X4915	1	1	230 V Low-voltage power supply (LVPS)
6	40X0269	1	1	Power cord, straight (8 ft)—U.S.
6	40X0288	1	1	Power cord, HV, straight (8 ft)—Argentina
6	40X0301	1	1	Power cord, straight (8 ft)—Australia, New Zealand
6	40X1767	1	1	Power cord, HV, straight (8 ft)—Brazil
6	40X0273	1	1	Power cord, HV, straight (8 ft)—Chili
6	40X1774	1	1	Power cord, HV, straight (8 ft)—Denmark
6	40X0275	1	1	Power cord, HV, straight (8 ft)—Israel
6	40X0273	1	1	Power cord, HV, straight (8 ft)—Italy
6	40X1773	1	1	Power cord, HV, straight (8 ft)—South Africa
6	40X0271	1	1	Power cord, HV, straight (8 ft)—U.K., Ireland
6	40X1772	1	1	Power cord, straight (8 ft)—Switzerland
6	40X1766	1	1	Power cord, straight (8 ft)—Bolivia, Peru
6	40X0303	1	1	Power cord, straight (8 ft)—PRC
6	40X1792	1	1	Power cord, straight (8 ft)—Korea
6	40X1791	1	1	Power cord, straight (8 ft)—Taiwan
7	40X4886	1	1	EEPROM XPRO
8	40X4908	1	1	Interlock harness
9	40X4909	1	1	Power switch

### Assembly 9: Duplex

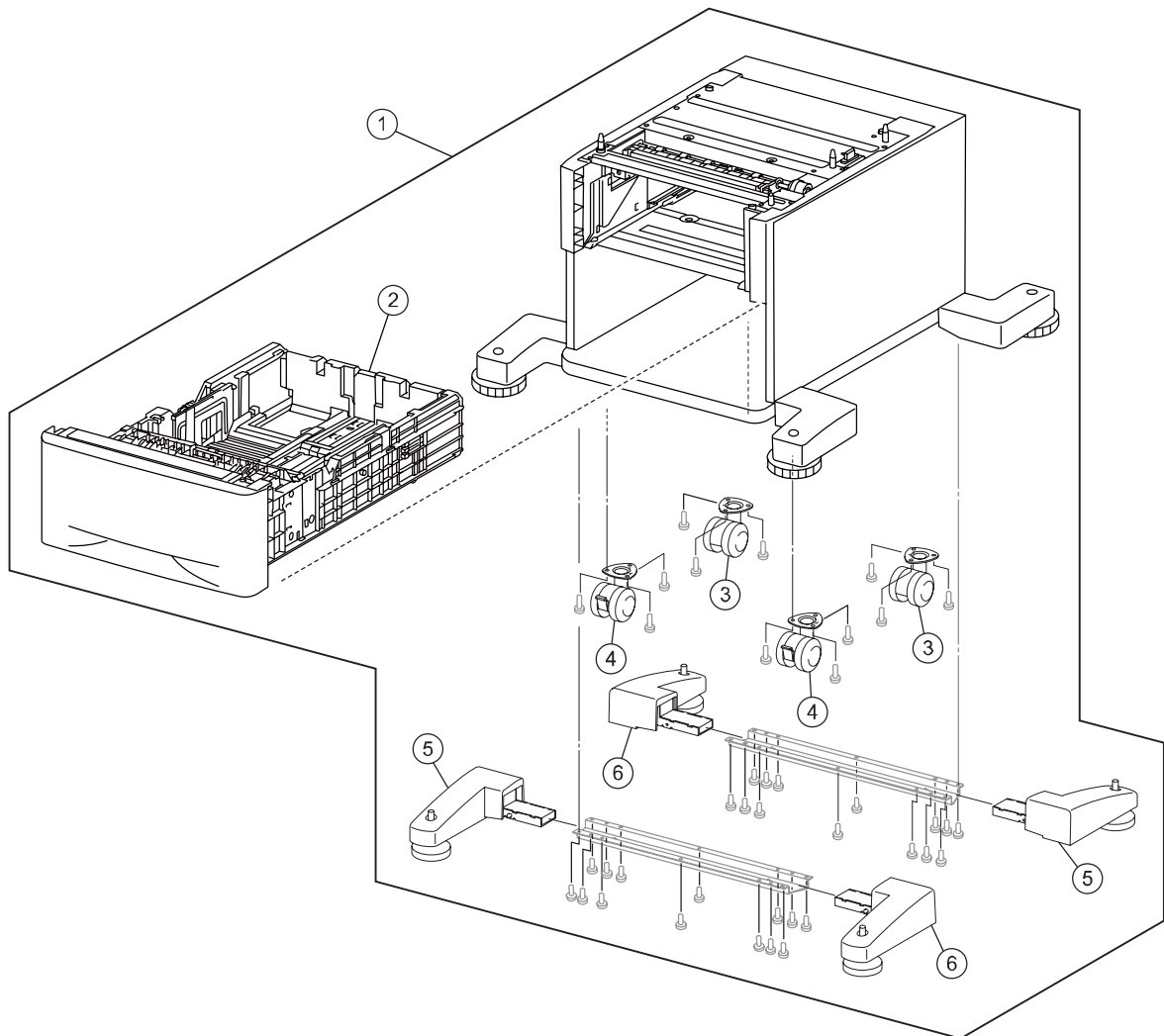




**Assembly 9: Duplex unit**

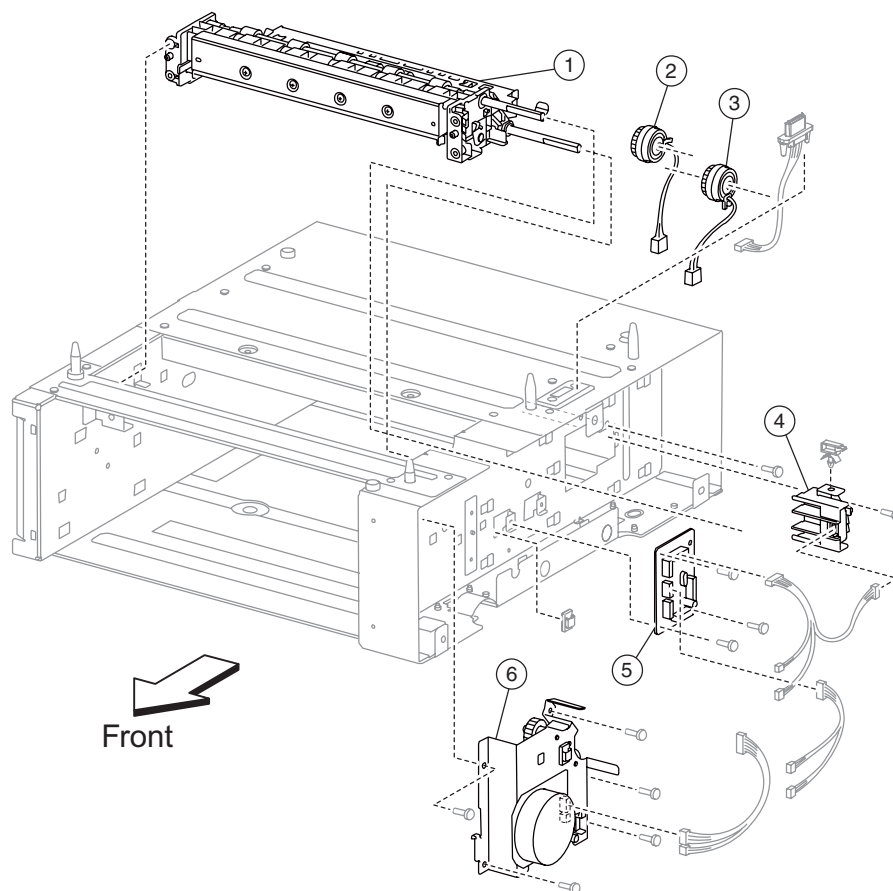
<b>Asm-index</b>	<b>Part number</b>	<b>Units/option</b>	<b>Units/FRU</b>	<b>Description</b>
9—1	40X4885	1	1	Duplex unit, complete
2	40X5074	1	1	Duplex clutch
3	40X5077	1	1	Duplex motor
4	40X5076	1	1	Duplex roll 2
5	40X5075	1	1	Duplex roll 1
6	40X5073	1	1	Duplex belt

### Assembly 10: 550-sheet feeder 1



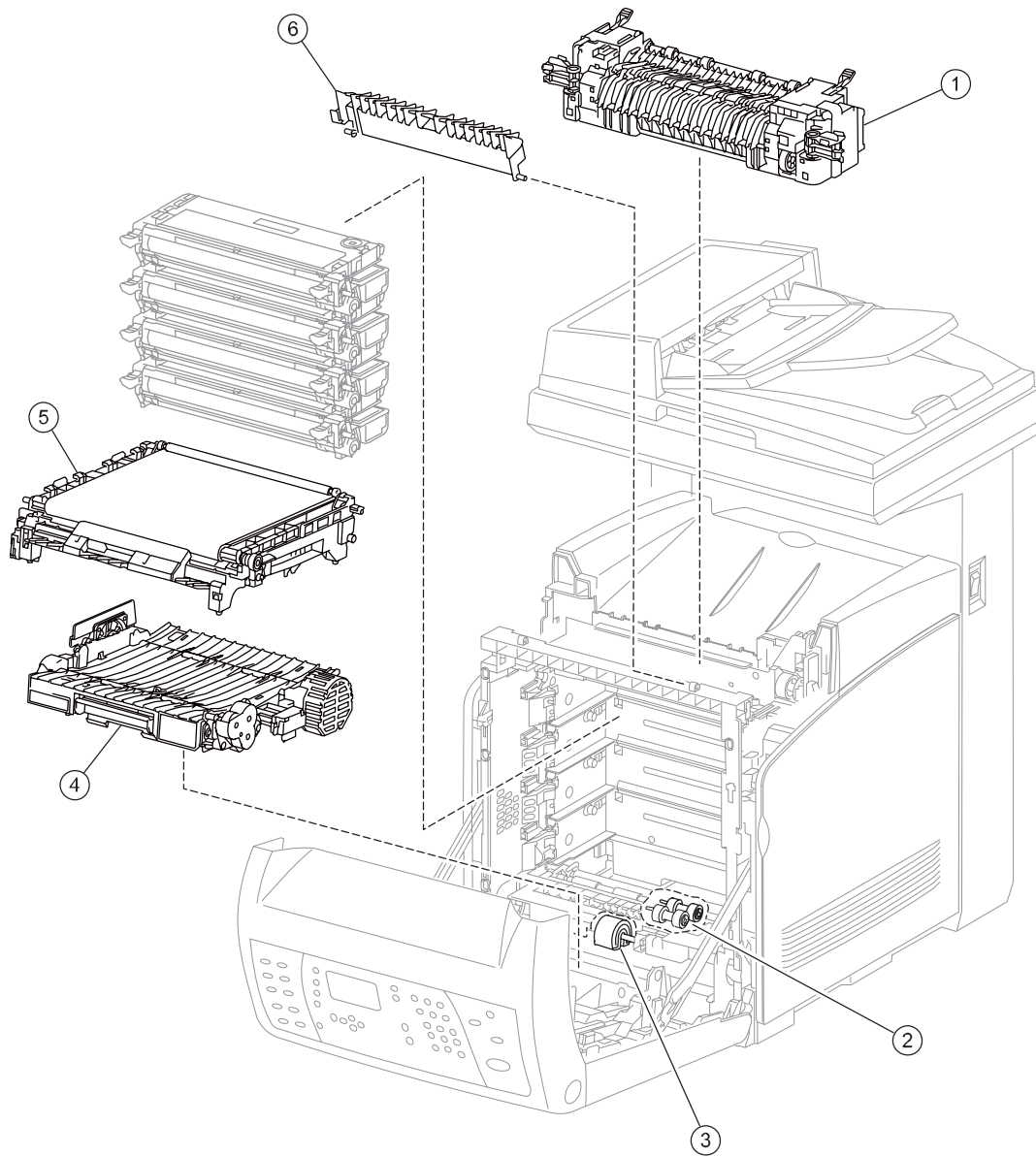
Asm-index	Part number	Units/option	Units/FRU	Description
10-1	40X4916	1	1	550-sheet feeder, complete
2	40X4888	1	1	550-sheet feeder tray
3	40X5084	2	1	Caster, non-locking (rear)
4	40X5085	2	1	Caster, locking (front)
5	40X5087	2	1	Feeder foot (front right or rear left)
6	40X5086	2	1	Feeder foot (front left or rear right)

## Assembly 11: 550-sheet feeder 2



Asm-index	Part number	Units/ option	Units/ FRU	Description
11—1	40X4922	1	1	Option paper feed assembly
2	40X5088	1	1	Turn clutch
3	40X5089	1	1	Feed clutch
4	40X4878	1	1	Size switch assembly
5	40X5078	1	1	Option feeder controller board
6	40X5079	1	1	Option feeder drive assembly

## Assembly 12: Options and supplies



**Assembly 12: Options and supplies**

<b>Asm-index</b>	<b>Part number</b>	<b>Units/ option</b>	<b>Units/ FRU</b>	<b>Description</b>
1	40X4860	1	1	115 V fuser
1	40X4861	1	1	230 V fuser
2	40X4866	1	1	Feed roll kit (250- and 550-sheet tray)
3	40X4865	1	1	MP feeder feed kit
4	40X4885	1	1	Duplex unit
5	40X4868	1	1	Transfer belt
6	40X4874	1	1	Duplex gate
NS	40X4924	1	1	ADF maintenance kit
NS	40X4862	1	1	MP feeder separator roll kit
NS	40X4859	1	1	250-sheet tray
NS	40X4888	1	1	550-sheet feeder tray
NS	7377732	1	1	Relocation kit
NS	40X5301	1	1	256MB DIMM
NS	40X5302	1	1	512MB DIMM
N/S	40X5303	1	1	1GB DIMM
NS	40X5090	1	1	Screw kit