

7. Parts catalog

How to use this parts catalog

The following legend is used in the parts catalog:

Asm-Index	Part number	Units/mach	Units/FRU	Description
-----------	-------------	------------	-----------	-------------

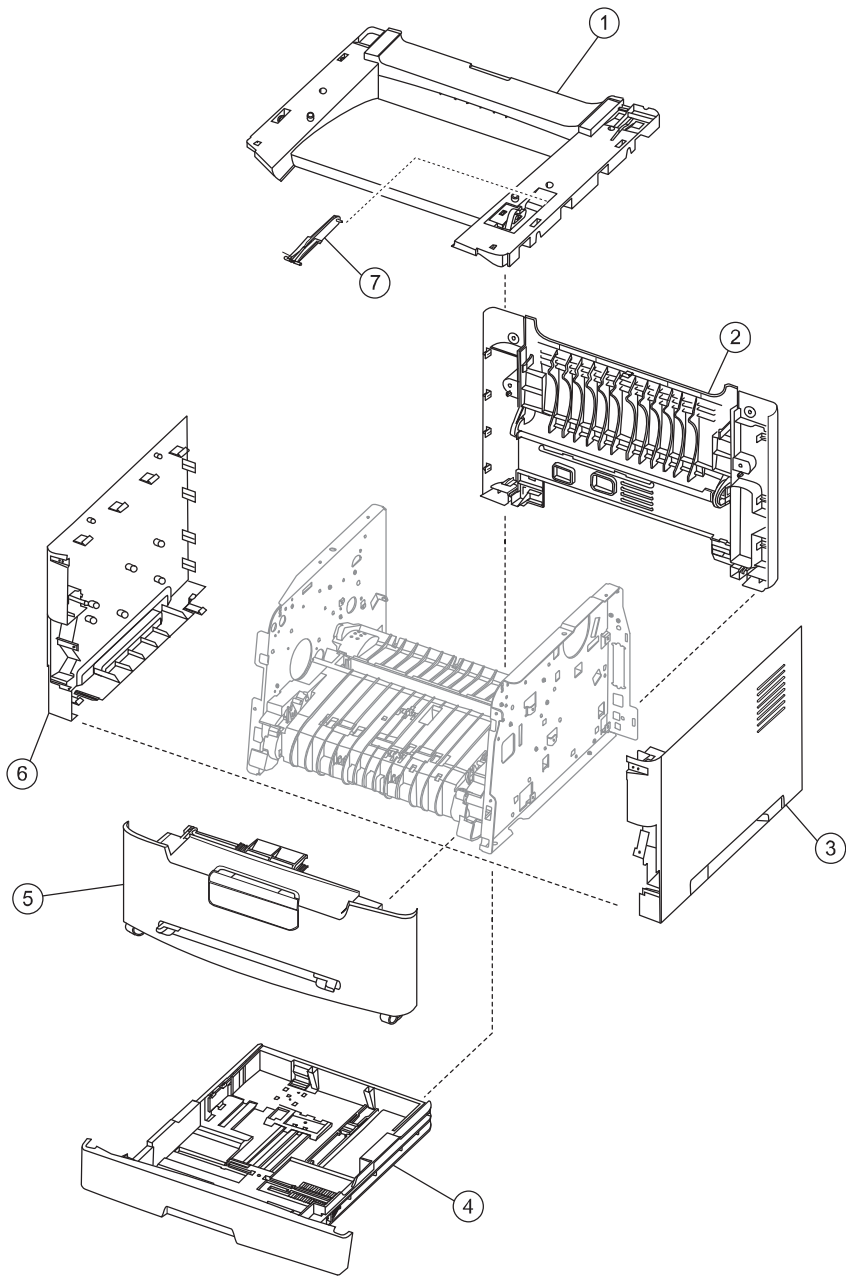
- **Asm-index:** identifies the assembly and the item in the diagram. For example, 3-1 indicates assembly 3 and the item number 1.
- **Part number:** identifies the unique number that identifies this FRU.
- **Units/mach:** refers to the number of units actually used in the machine or product.
- **Units/FRU:** refers to the number of units packaged together and identified by the part number.
- **NS:** (Not shown) in the Asm-Index column indicates that the part is procurable but is not pictured in the illustration.
- **PP:** (Parts Packet) in the parts description column indicates the part is contained in a parts packet.

Model information used in the parts catalog.

If the printhead, controller board, or cables are being replaced, check the serial number label on the rear of the machine for the serial number and machine type/model number. Match the serial number on the label up to the serial number range referenced in the parts catalog for the part being replaced. Also match the machine type/model with the machine type model that is referenced in the parts catalog for the part being replaced. There is also a label inside the front door of the machine.,

Machine type and model	Description
7011-200 / 300	Lexmark X203n
7011-215 /315	Lexmark X204n

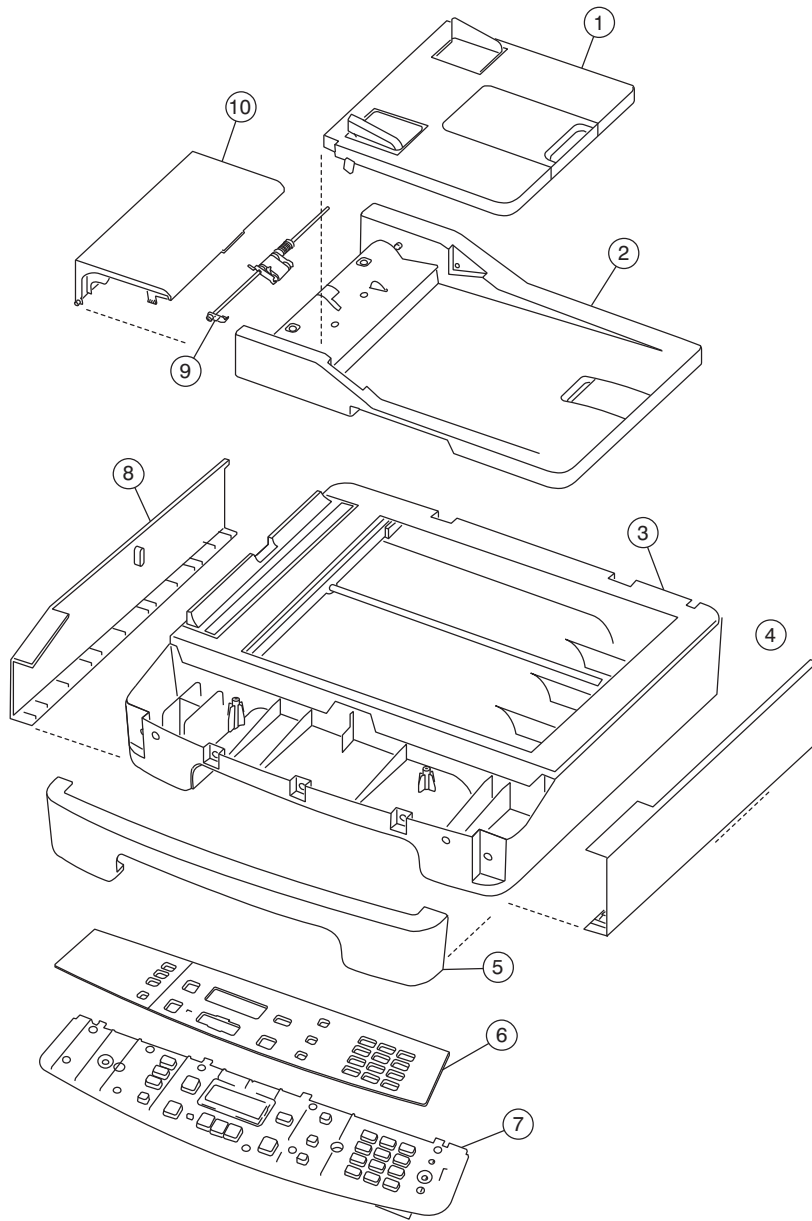
Assembly 1: Covers



Assembly 1: Covers

Asm-Index	Part number	Units/mach	Units/FRU	Description
1	40X5635	1	1	Top cover
2	40X5638	1	1	Rear cover assembly
3	40X5637	1	1	Right cover
4	40X5774	1	1	Main tray
5	40X5640	1	1	Front cover assembly
6	40X5636	1	1	Left cover
7	40X5764	1	1	Cam follower w/spring
NS	40X5775	1	1	Front access door strap

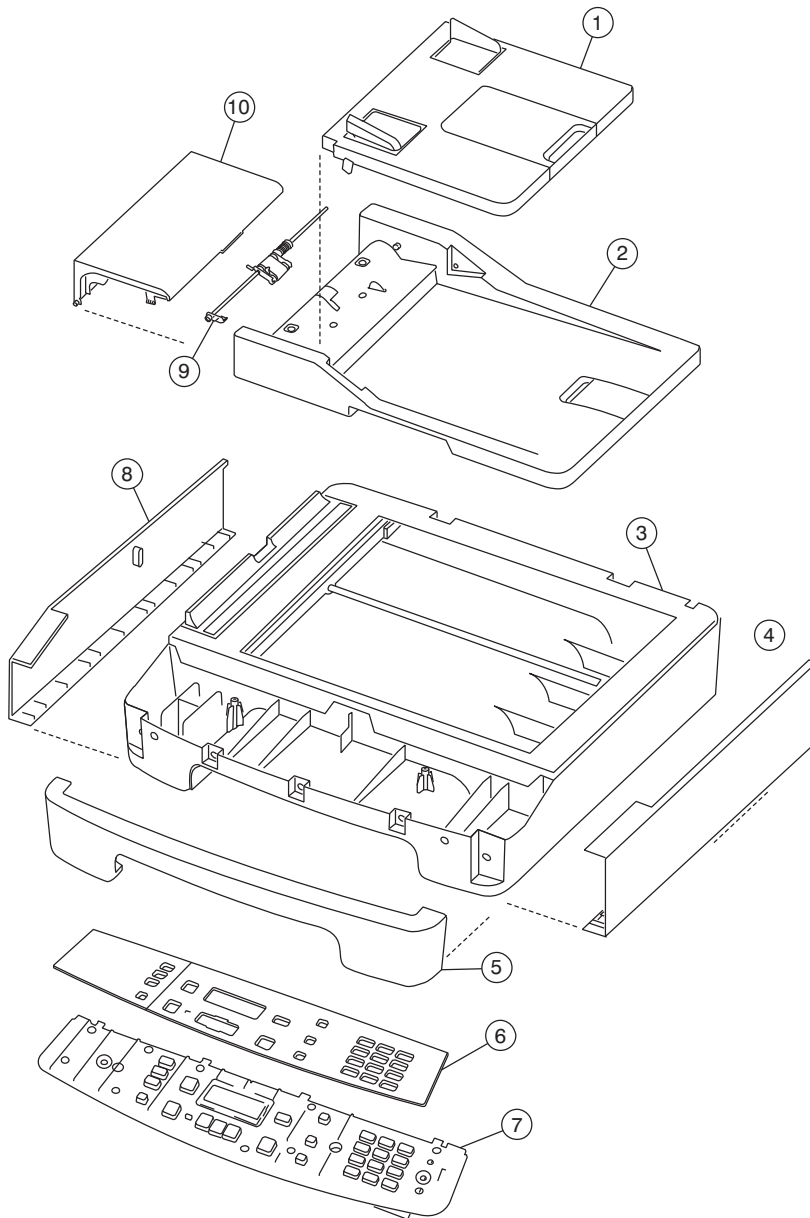
Assembly 2: Scanner



Assembly 2: Scanner

Asm-Index	Part number	Units/mach	Units/FRU	Description
1	40X5632	1	1	ADF input tray assembly
2	40X5761	1	1	ADF assembly (X204 Only)
3	40X5767	1	1	Flatbed assembly
4	40X5759	1	1	Right flatbed cover
5	40X5641	1	1	Scanner front cover
6	40X0384	1	1	X 203 Operator panel overlay (English)
6	40X0385	1	1	X 204 Operator panel overlay (English)
6	40X0354	1	1	X 203 Operator panel overlay (Spanish)
6	40X0355	1	1	X 204 Operator panel overlay (Spanish)
6	40X0348	1	1	X 203 Operator panel overlay (French)
6	40X0349	1	1	X 204 Operator panel overlay (French)
6	40X0356	1	1	X 203 Operator panel overlay (Brazilian Portuguese)
6	40X0357	1	1	X 204 Operator panel overlay (Brazilian Portuguese)
6	40X0352	1	1	X 203 Operator panel overlay (German)
6	40X0353	1	1	X 204 Operator panel overlay (German)
6	40X0350	1	1	X 203 Operator panel overlay (Italian)
6	40X0351	1	1	X 204 Operator panel overlay (Italian)
6	40X0358	1	1	X 203 Operator panel overlay (Dutch)
6	40X0359	1	1	X 204 Operator panel overlay (Dutch)
6	40X0360	1	1	X 203 Operator panel overlay (Danish)
6	40X0361	1	1	X 204 Operator panel overlay (Danish)
6	40X0362	1	1	X 203 Operator panel overlay (Norwegian)
6	40X0363	1	1	X 204 Operator panel overlay (Norwegian)
6	40X0364	1	1	X 203 Operator panel overlay (Swedish)
6	40X0365	1	1	X 204 Operator panel overlay (Swedish)
6	40X0366	1	1	X 203 Operator panel overlay (Finnish)
6	40X0367	1	1	X 204 Operator panel overlay (Finnish)
6	40X0370	1	1	X 203 Operator panel overlay (Russian)
6	40X0371	1	1	X 204 Operator panel overlay (Russian)
6	40X0368	1	1	X 203 Operator panel overlay (Polish)
6	40X0369	1	1	X 204 Operator panel overlay (Polish)
6	40X0372	1	1	X 203 Operator panel overlay (Turkish)
6	40X0373	1	1	X 204 Operator panel overlay (Turkish)
6	40X0374	1	1	X 203 Operator panel overlay (Hungarian)
6	40X0375	1	1	X 204 Operator panel overlay (Hungarian)
6	40X0376	1	1	X 203 Operator panel overlay (Czech)
6	40X0377	1	1	X 204 Operator panel overlay (Czech)
6	40X0378	1	1	X 203 Operator panel overlay (Simplified Chinese)
6	40X0379	1	1	X 204 Operator panel overlay (Simplified Chinese)

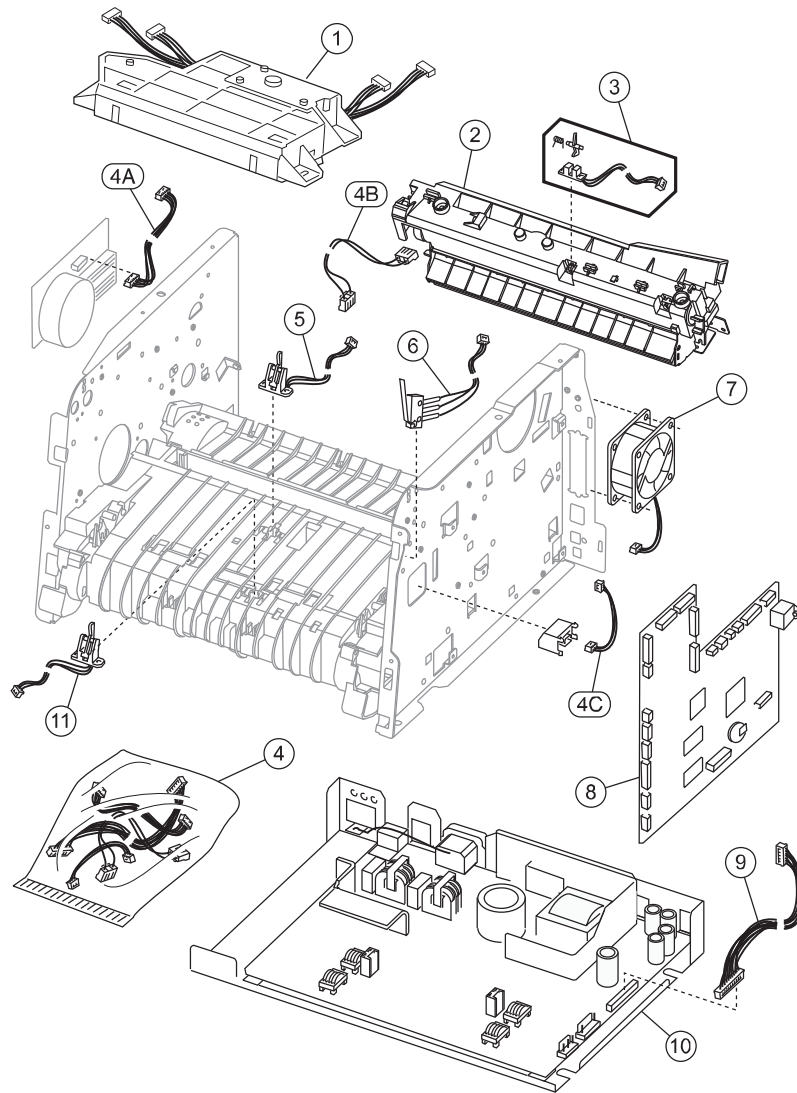
Assembly 2 (continued): Scanner



Assembly 2 (continued): Scanner

Asm-Index	Part number	Units/mach	Units/FRU	Description
6	40X0380	1	1	X 203 Operator panel overlay (Traditional Chinese)
6	40X0381	1	1	X 204 Operator panel overlay (Traditional Chinese)
6	40X0382	1	1	X 203 Operator panel overlay (Korean)
6	40X0383	1	1	X 204 Operator panel overlay (Korean)
7	40X5627	1	1	Operator panel assembly X203
7	40X5628	1	1	Operator panel assembly X204
8	40X5758	1	1	Left flatbed cover
9	40X5768	1	1	ADF separator roll assembly
9	40X7543	1	1	ADF separator roll assembly (Use on machines with s/n 5290000 and up)
10	40X5631	1	1	ADF top cover
10	40X7542	1	1	ADF top cover (Use on machines with s/n 5290000 and up)
NS	40X5770	1	1	ADF separator pad w / mylar sheet
NS	40X5762	1	1	ADF cable
NS	40X5963	1	1	Flatbed cover w/o ADF (X203 only)
NS	40X5763	1	1	Operator panel cable
NS	40X7544	1	1	Flatbed cushion

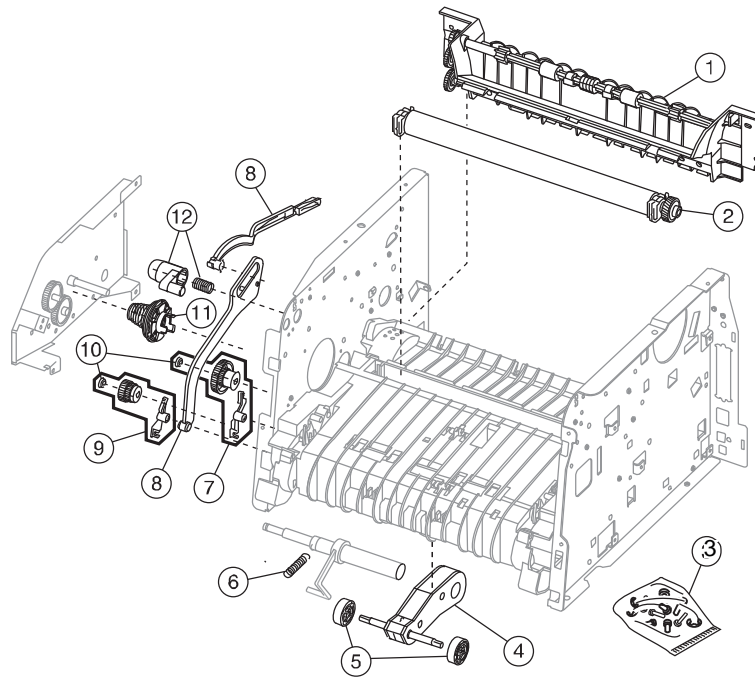
Assembly 3: Electronics




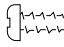

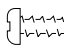
Assembly 3: Electronics

Asm-Index	Part number	Units/mach	Units/FRU	Description
1	40X1303	1	1	Laser/mirror print assembly, X203, X204 - Use on machines with serial numbers under 5920000 .
1	40X5776			Laser diode printhead assembly X203, X204 - Use on machines with serial numbers 5920000 and up.
2	40X4194	1	1	Fuser assembly, 110 V
2	40X4195	1	1	Fuser assembly, 220 V
3	40X1325	1	1	Exit sensor assembly
4	40X5625	1	1	Miscellaneous cable assemblies. Use on machines with serial numbers under 5920000 . Use the LVPS cable in part 40X5780. <ul style="list-style-type: none"> • a - Main drive motor • b - Fuser power • c - Toner sensor (not used on the X203, and X204) • Laser diode
4	40X6113	1	1	Miscellaneous cable assemblies - Use on machines with serial numbers 5920000 and up only. <ul style="list-style-type: none"> • a - Main drive motor • b - Fuser power
5	40X1323	1	1	Input #1 sensor assembly
6	40X1326	1	1	Cover open sensor assembly
7	40X1328	1	1	Cooling fan
8	40X1548	1	1	Controller card (X203) - Use on machines with serial numbers below 5920000 .
8	40X7070			Controller card (X203) - Use on machines with serial numbers 5920000 and up.
8	40X1549	1	1	Controller card (X204) - Use on machines with serial numbers below 5920000 .
8	40X7071			Controller card (X204) - Use on machines with serial numbers 5920000 and up.
9	40X5780	1	2	Cable kit (LVPS cable) - Use on machines with serial numbers below 5920000 .
10	40X1558			LVPS/HVPS 110V card - Use on machines with serial numbers below 5920000 .
10	40X6009			LVPS/HVPS 110V card - Use on machines with serial numbers 5920000 and up.
10	40X1559			LVPS/HVPS 220V card - Use on machines with serial numbers below 5920000 .
10	40X6010			LVPS/HVPS 220V card - Use on machines with serial numbers 5920000 and up.
11	40X1324	1	1	Input #2 sensor assembly (manual feeder)
NS	40X6015			Laser Diode Cable - use on machines with serial numbers 5920000 and up.
NS	40X0386	1	1	Fax card

Assembly 4: Frame



Assembly 4: Frame

Asm-Index	Part number	Units/mach	Units/FRU	Description
1	40X1334	1	1	Paper exit guide assembly
2	40X2822	1	1	Transfer, roll, bearings, gear, spring
3	40X6400	N/A	N/A	<p>Screws, miscellaneous (actual size)</p> <p>TP2NC-3.0+6P-Ni (2)</p> <p> </p> <p>M3.0*0.5+6P-Ni Washer (2)</p> <p>MT3.0*0.5+6PF-Ni (5)</p> <p>TP2NC-3.0+6PF-Ni (4)</p> <p> </p>
4	40X4731	1	1	ASM, Pick arm
5	56P1820	2	2	Paper feed, rubber tires
6	40X1354	1	1	Front door & ACM spring
7	40X1331	1	1	Autocompensator clutch CBM
8	56P2083	1	1	Door-fuser idle gear link CBM
9	40X1330	1	1	Manual feed clutch CBM
10	56P2648	2	2	Plastic snap rings
11	40X1329	1	1	Developer drive coupling assembly
12	40X5760	1	1	Front access cover latch CBM

Assembly 5: Miscellaneous

Asm-Index	Part number	Units/mach	Units/FRU	Description
NS	40X1368	1	1	USB cable, packaged
NS	40X0289	1	1	Power cord, 1.8M (straight)—USA, Canada
NS	40X0278	1	1	Power cord, 6 foot (straight)—Europe and others
NS	40X0288	1	1	Power cord, 6 foot—Argentina
NS	40X0271	1	1	Power cord, 6 foot—United Kingdom
NS	40X0275	1	1	Power cord, 6 foot (straight)—Israel
NS	40X0274	1	1	Power cord, 6 foot—Switzerland
NS	40X0276	1	1	Power cord, 6 foot—South Africa
NS	40X0287	1	1	Power cord, 6 foot (straight)—Traditional Italy
NS	40X0279	1	1	Power cord, 6 foot (straight)—Danish
NS	40X4596	1	1	Power cord, 8 foot (straight)—Brazil
NS	40X0282	1	1	Power cord, 1.8M (straight)—PRC
NS	40X0270	1	1	Power cord, 1.8M (straight)—Japan
NS	40X0280	1	1	Power cord, 1.8M (straight)—Korea
NS	40X0281	1	1	Power cord, 1.8M (straight)—Taiwan
NS	40X0296	1	1	Power cord, 1.8M (straight)—Australia
NS	3050388	1	1	Relocation kit (X203)
NS	3050389	1	1	Relocation kit (X204)