

EPSON

STYLUS PRO 4000

Product can be configured as 4 versions, all of which are covered by this Spares Guide:

STYLUS PRO 4000-C4 – four colour version

STYLUS PRO 4000-C8 – eight colour version

STYLUS PRO 4000-PS supplied with Stylus RIP Professional 2.0 (available later)

STYLUS PRO 4000-PROMO- supplied with ‘Eye-One Display’- available only while initial stocks last.

Note: Colour conversion is reversible

Page No.:1

REF.	PART NO	DESCRIPTION	SPEC	Qty
100	1269784	HOLDER ASSY.,ROLL,SP		1
101	1269783	HOLDER ASSY.,ROLL,LEFT SP		1
102	1269782	HOLDER ASSY.,ROLL,RIGHT,SP		1
103	1104332	ADAPTER		2
104	1104330	FLANGE,RIGHT		1
105	1104331	FLANGE,LEFT		1
106	1263652	SCROLLER,SUB ASSY.		1
107	1220015	SHAFT,STOPPER,L		1
108	1264207	MAKEUP SCREW		4
109	1234812	STACKER ASSEMBLY		1
110	1231236	STACKER		1
111	1231245	GUIDE,STACKER		3
112	1242255	STACKER,SUPPORT		1
113	1274131	TRAY ASSEMBLY;B		1
114	1249628	LABEL,MODEL NAME		1
115	1265063	LABEL,"ULTRA-CHROME" INK		1
116	1270616	LABEL,COVER OPEN		1
117	1259597	LABEL,ASF SET		1
118	1104833	LABEL,ROLL PAPER SET,2/3 INCH		1
150	1231229	MOUNTING PLATE,FAN,POWER SUPPLY		1
151	1219618	COVER,HARNESS		1
152	1269616	FILTER,FAN ASSY.		1
153	1055583	COVER,CONNECTER,UPPER;B		1
154	1232657	COVER,I/F		1
155	1259966	GROUND PLATE,IF		1
156	1270101	FILTER,RIGHT		1
157	1270017	MOUNT PLATE,FILTER,RIGHT		1
158	1270014	DUCT,RIGHT		1
200	2080059	BOARD ASSY., MAIN	5920A,STD	1
300	2080067	BOARD ASSY.,POWER SUPPLY	5924A,STANDARD	1
301	2080894	HARNESS		1
302	2080895	HARNESS	AC INPUT(3PIN)	1
500	2086346	PRINTER MECHANISM(SP),M-AB60-101		1
501	1269786	COVER ASSY.,SIDE,L,SP		1
502	1231241	COVER,I/H,LEFT		1
503	1033723	LATCH,COVER I/C		2
504	1231243	GUIDE,I/H,LEFT		1
505	1231233	PANEL,FRONT		1
506	1219617	COVER,REAR		1
507	1246018	STOPPER,COVER PRINTER,LEFT		1
508	1246017	STOPPER,COVER PRINTER,RIGHT		1
509	1219624	COVER,PRINTER		1
510	1219623	KNOB,RELEASE,LEVER		1
511	1219619	COVER,INSIDE,RELEASE,LEVER		1

EPSON

STYLUS PRO 4000

Page No.:2

REF.	PART NO	DESCRIPTION	SPEC	Qty
512	1269785	COVER ASSY.,SIDE,R,SP		1
513	1249367	POROUS PAD,HOLDER,INK EJECT		1
514	1267084	POROUS PAD,INK EJECT,SUB		1
515	1231242	GUIDE,I/H,RIGHT		1
516	1231240	COVER,I/H,RIGHT		1
517	1219993	FRAME,PANEL,LOWER ,RIGHT		1
518	2080893	CONTROL,PANEL		1
519	2080201	HARNESS,PANEL		1
520	1250411	LOGO PLATE,13X54;E		1
521	1243285	LABEL,INK COLOUR,LEFT		1
522	1261383	LABEL,CAUTION,TRANSPORT		1
523	1243284	LABEL,INK COLOUR,RIGHT		1
524	1249629	LABEL,CHOKE CLEANING		1
525	1243281	LABEL,PAPER LEVER SET UP		1
526	1249443	LABEL,PAPER JAMMING REMOVAL		1
527	1249440	LABEL,ACCESSORY		1
550	1230885	HOLDER ASSY.,IC,LEFT		1
551	1091087	MOUNTING PLATE,HOLDER,IC,L		2
552	1091090	FRAME,HOLDER,IC,UPPER		8
553	1091091	FRAME,HOLDER,IC,LOWER		8
554	1091094	PRESSING PLATE,IC		8
555	1091096	TORSION SPRING,158.6		2
556	1091098	FAN GEAR,34		2
557	1091099	CAM,IC,FIXING		8
558	1219632	SHAFT,LOCK,IC		2
559	1219633	FRAME,I/S, TOP		2
560	1219661	LEVER,INK CART ,OPERATE		2
561	1219663	SPUR GEAR,22		4
562	1230882	FRAME ASSY.,NEEDLE		8
563	1230884	MOUNTING PLATE ASSY.,HOLDER,IC,R		2
564	1249372	MOUNT PLATE,BASE,IH,LEFT		1
565	1259967	MOUNTING PLATE,HOLDER,IC,R		6
566	1264224	GROUND PLATE,IH		2
567	2020393	DETECTOR,LEAF,B2	1.0V,0A,	2
568	2060507	BOARD ASSY.,IC		8
569	2071647	CONNECTOR,CARTRIDGE,PR		8
570	1219620	KNOB,I/C,LOCK LEVER		2
571	1219660	CAM,VALVE		2
572	2078939	HARNESS,I/S,L		1
573	1249365	TUBE,SUPPLY,INK,MATT BLACK		1
574	1249360	TUBE,SUPPLY,INK,CYAN		1
575	1249361	TUBE,SUPPLY,INK,MAGENTA		1
576	1249364	TUBE,SUPPLY,INK, YELLOW		1
577	1056164	ORING,CONECTOR M7		16
578	1091107	CONNECTING SCREW,M7		16
579	1235237	JOINT,3		6
580	1249356	JOINT,3,L		2
581	2082704	HARNESS,CSIC,MB		1
582	2082705	HARNESS,CSIC, CYAN		1
583	2082706	HARNESS,CSIC, MAGENTA		1
584	2082707	HARNESS,CSIC, YELLOW		1
585	1230881	HOLDER ASSY.,INK CART,RIGHT		1
586	1249371	MOUNT PLATE,BASE,IH,RIGHT		1
587	1249358	TUBE,SUPPLY,INK,BLACK		1
588	1249362	TUBE,SUPPLY,INK,LT. CYAN		1
589	1249363	TUBE,SUPPLY,INK,LT.MAGENTA		1

EPSON

STYLUS PRO 4000

Page No.:3

REF.	PART NO	DESCRIPTION	SPEC	Qty
590	1249359	TUBE,SUPPLY,INK, GREY		1
591	2082708	HARNESS,CSIC,BLACK		1
592	2082709	HARNESS,CSIC, LT. CYAN		1
593	2082710	HARNESS,CSIC, LT.MAGENTA		1
594	2082711	HARNESS,CSIC, GREY		1
595	2078951	HARNESS,I/S,R		1
600	1277285	POROUS PAD,INK,GUTTER,A		1
601	1277286	TAPE,INK,GUTTER,A		1
602	1269166	HOLDING SPRING,POROUS PAD,GUTTER		1
603	1269615	POROUS PAD,GUTTER,INK		1
604	1219874	GUTTER,INK		1
605	1269636	SHEET,GUTTER,INK		1
606	1277287	POROUS PAD,INK,GUTTER,B		1
607	1268462	GUTTER ASSY.,INK EJECT		1
608	1264116	SPACER,FRAME,PAPER GUIDE,FRONT		1
609	1262677	INDUCTION DUCT		1
610	1270335	POROUS PAD,BOX,FL,UPPER		1
611	1270047	POROUS PAD,BOX,FL,LOWER		1
612	1230879	BOX ASSY.,FLUSHING		1
613	2082701	HARNESS,PUMP,PHASE DETECTION		1
614	1271402	CLEANER,HEAD,A,ASP		1
615	1271403	CLEANER,HEAD,B,ASP		1
616	1264516	JOINT,BOX,FLUSHING		1
617	1230872	PUMP CAP ASSY.		1
618	1270025	SHEET,INK,STOPPER,C		1
619	1276759	TAPE,INK,STOPPER,C		1
620	1276758	POROUS PAD,INK,STOPPER,C		1
621	1220013	LEAF SPRING,LOCK		1
622	1219997	GUIDE RAIL,INK EJECT BOX,UPPER		1
623	1270023	POROUS PAD,GUIDE,INK EJECT,B		1
624	1234019	GUIDE,INK EJECT,B		1
625	1270022	POROUS PAD,GUIDE,INK EJECT,A		1
626	1234018	GUIDE,INK EJECT,A		1
627	1220006	BRACKET,INK EJECT BOX		1
628	1219992	GUIDE RAIL,INK EJECT BOX,LEFT		1
629	1230883	HOLDER ASSY.,BOARD,INK EJECT		1
630	2080880	HARNESS,CSIC,MT		1
631	1091074	POROUS PAD ASSY.,INK EJECT		1
632	2080200	HARNESS,R1		1
633	2080198	HARNESS,R2		1
634	2080202	HARNESS,L1		1
635	2080199	HARNESS,L2		1
636	2082702	HARNESS,PANEL,INTERMIT		1
637	1250216	OMEGA LOCK		4
638	1250214	RECYCLE CLAMP		3
650	2080065	BOARD ASSY.,SUB-C	5923A,STD.	1
651	1219871	DUCT,AIR,E		1
652	1230520	EXTENSION SPRING,2.55		3
653	1249354	GUIDE,FFC		1
654	1230530	EXTENSION SPRING,13.05		1
655	2078969	MOTOR ASSY.,PF		1
656	1219869	DUCT,AIR,D		1
657	2080205	FAN,BLOWER		2
658	1219923	PAPER GUIDE,PAPER EJECT,STACK		2
659	1268877	SUPPORT PLATE,FRAME,FRONT		1
660	1273731	SUPPORT PLATE,FRAME,B		2

EPSON

STYLUS PRO 4000

Page No.:4

REF.	PART NO	DESCRIPTION	SPEC	Qty
661	1219926	ROLLER,PAPER GUIDE		17
662	2020393	DETECTOR,LEAF,B2	1,0V,0A,	1
663	1249442	LABEL,CUTTER CHANGE		1
664	1273730	COVER,FAN,LEFT		1
665	2078980	HARNESS,FAN,A		1
666	2078981	HARNESS,FAN,B		1
667	1273729	COVER,FAN,RIGHT		1
668	1219904	PAD,AIR SEAL,D		1
669	1219868	DUCT,AIR,A		1
670	2078977	HARNESS,COVER OPEN		1
671	1269667	LEVER,ROLLER,SUB		1
672	1270018	COVER,DUCT,C		1
673	1270044	PAD,DUCT,RIGHT LOWER		1
674	1219867	DUCT,AIR,C		1
675	2080063	BOARD ASSY.,SUB-B	5922A,STD.	1
676	2078968	HARNESS,MOTOR,PG		1
677	1270021	PAD,FRAME,RIGHT		1
678	2084899	MOTOR ASSY.,PG	33.6W,DC	1
679	1219759	SPUR GEAR,36		1
680	1230523	EXTENSION SPRING,11.6		1
681	1249388	COMBINATION GEAR,13.6,20.8		1
682	1219767	SPUR GEAR,16		1
683	1219760	COMBINATION GEAR,40,20		1
684	1219758	COMBINATION GEAR,56,8.8		1
685	1219870	DUCT,AIR,B		1
686	1259969	SHEET,PAPER GUIDE,PAPER EJECT,STACK		4
687	1270020	PAD,DUCT,E		1
688	1264223	GROUND SPRING,PAPER GUIDE,MIDDLE,LEFT		1
689	2020393	DETECTOR,LEAF,B2	1,0V,0A,	1
690	1265567	COVER,DETECTOR,PAPER GUIDE,MIDDLE		1
691	2084993	HARNESS,DETECTOR,PAPER GUIDE CENTRE		1
692	1273728	PAD,FAN		2
693	1276760	POROUS PAD,FRAME,SUB,RIGHT		1
700	F145000	PRINT HEAD	1440	1
701	1219702	CARRIAGE,B		1
702	1219751	PLATE,DAMPER		1
703	1230880	VALVE ASSY.,HEAD		8
704	1219745	GROUND PLATE,A		1
705	1264204	POROUS PAD,CARRIAGE		2
706	1219704	CARRIAGE,C		1
707	1056164	O-RING,CONNECTOR M7		16
708	1091107	CONNECTING SCREW,M7		16
709	1235237	JOINT,3		4
710	1249356	JOINT,3,L		4
711	1219707	COVER,CARRIAGE		1
712	2080204	BOARD ASSY.,MULTISENSOR		1
713	2078962	HARNESS,MULTI-SENSOR		1
714	1261387	LABEL,CUT POSITION		1
715	1219716	HOLDER,MULTI-SENSOR		1
716	1219715	PLATE,BEARING,R		1
717	1219748	CAM,INCLINATION,R		1
718	1262577	LEVER,FASTEN,FOR TRANSFER		1
719	1219709	SHAFT,CONNECTION		2
720	1219711	HOLDER,BEARING		2
721	1272861	COMPRESSION SPRING,27.8		2
722	1260145	POLY SLIDER,STW-FT40,t=0.25		4

EPSON

STYLUS PRO 4000

Page No.:5

REF.	PART NO	DESCRIPTION	SPEC	Qty
723	1219708	SHAFT,BEARING		8
724	1219742	HOLDER,SOLENOID		1
725	1219747	CAM,INCLINATION,L		1
726	1230518	COMPRESSION SPRING,0.191		1
727	1219730	SLIDER,CR LOCK		1
728	1230517	COMPRESSION SPRING,0.52		1
729	1219746	GROUND PLATE,B		1
730	1219712	LEVER,INCLINATION		1
731	1230515	EXTENSION SPRING,3.81		1
732	1219701	CARRIAGE,A		1
733	2078959	SOLENOID,CR		1
734	1219714	PLATE,BEARING,L		1
735	1219713	LEVER,CAM		1
736	1274133	STOPPER,CARRIAGE		2
737	1219739	SHAFT,INCLINATION CAM		1
738	2080197	HARNESS,HEAD		1
739	2082703	HARNESS,HEAD,INTERMITTENT		1
750	1230523	EXTENSION SPRING,11.6		1
751	1230520	EXTENSION SPRING,2.55		1
752	1219777	LEVER,LOCK,PG		1
753	1219757	BUSHING,LOCK		1
754	1219754	BUSHING,SHAFT,REAR		1
755	1230514	COMPRESSION SPRING,9.31		2
756	1234017	EXTENSION SPRING,2.58		1
757	1219741	LEVER,SCALE,CR		2
758	1230519	EXTENSION SPRING,3.86		1
759	1219738	SCALE,CARRIAGE		1
760	1219744	BELT,CARRIAGE		1
761	1219720	PULLEY,DRIVEN		1
762	1219721	SHAFT,PULLEY		1
763	1234322	COMPRESSION SPRING,29.4		1
764	1219749	HOLDER,SHAFT,CARRIAGE		1
765	1269549	CAM,SHAFT,CR;B		4
766	1270352	PLATE,LINEAR,REAR,A		2
767	1270349	PLATE,LINEAR,FRONT,A		1
768	1270350	PLATE,LINEAR,FRONT,B		1
769	1269795	HOLDER ASSY.,SENSOR,HP,SP		1
770	2032842	DETECTOR,HP;E	4V,50MA,100MW	1
771	1219753	PULLEY,SHAFT,CARRIAGE		2
772	1230524	BELT,PAPER GUIDE		1
773	2078958	HARNESS,DETECTOR,PG		1
774	2032842	DETECTOR,HP;E	4V,50MA,100MW	1
775	1219755	BUSHING,SHAFT,FRONT		1
776	1219756	MOUNT PLATE,DETECTOR,HP		1
777	1270522	HOLDER,PLATE,LINEAR,FRONT		1
778	1048919	BOARD ASSY.,ENCODER		1
779	1219706	HOLDER,TUBE,B		1
780	1270045	PAD,TUBE		1
781	1219705	HOLDER,TUBE,A		1
782	2080061	BOARD ASSY.,SUB	5921A,STD	1
783	2078961	HARNESS,ENCODER		1
784	1219736	COVER,TUBE		1
785	1219737	GUIDE,TUBE,CARRIAGE		1
786	1234020	SHEET,TUBE		1
787	1219731	GUIDE PLATE,TUBE		1
788	1219727	SHEET,SUS		1

EPSON

STYLUS PRO 4000

Page No.:6

REF.	PART NO	DESCRIPTION	SPEC	Qty
789	1219732	HOLDER,FFC		5
800	2020393	DETECTOR,LEAF,B2	1,0V,0A,	2
801	2078954	HARNESS,PAPER EJECT PHASE,LEFT		1
802	1219914	LEVER,CHANGE PAPER EJECT,LEFT		1
803	1230544	EXTENSION SPRING,6.99		2
804	1249357	BUSHING,SHAFT,FRAME,TRANSMIT		1
805	1269788	MOUNT ASSY.,PLATE,MOTOR,ASF,SP		1
806	1219686	COMBINATION GEAR,12,22.4		1
807	1219691	SPUR GEAR,25.6		1
808	1219693	COMBINATION GEAR,12.8,36		1
809	1219688	COMBINATION GEAR,13.6,28.8		1
810	1219768	SPUR GEAR,20		2
811	1219894	SPUR GEAR,16,FRAME,TRANSMIT		1
812	1249390	COMBINATION GEAR,11.2,24		1
813	1219766	SPUR GEAR,22.41.6,RELEASE		1
814	1219824	HOLDER,PLANETARY,RELEASE		2
815	1219821	SPUR GEAR,16,RELEASE		4
816	1219820	SPUR GEAR,22,RELEASE		2
817	1264474	POLY SLIDER,STW-FT70,t=0.25		4
818	1035494	COMPRESSION SPRING,0.98		3
819	1270016	SHEET,FRAME,RIGHT		1
820	1230512	EXTENSION SPRING,2.41		1
821	1219681	LEVER,LOCK,DE		1
822	1230539	SPUR GEAR,38		2
823	1219822	INTERMITTENT GEAR,RELEASE,TRANSMIT		1
824	1219818	COMBINATION GEAR,22,16.8		1
825	1219695	COMBINATION GEAR,16.74,24		1
826	1219883	SPUR GEAR,28		1
827	1219890	SPUR GEAR,33.6,B		1
828	1219694	SPUR GEAR,33.6		1
829	1219891	COMBINATION GEAR,24,36		1
830	1219886	COMBINATION GEAR,19.2,33.6		1
831	1219888	HOLDER,PLANETARY,CHANGE PAPER EJECT		1
832	1219889	SPUR GEAR,17.6, PLANETARY		1
833	1219885	SPUR GEAR,32.8,A		1
834	1219916	SPUR GEAR,44,PAPER EJECT		1
835	1219909	LEVER,CHANGE PAPER EJECT,R		1
836	1219915	LEVER,LOCK,CHANGE PAPER EJECT,R		1
837	1230543	EXTENSION SPRING,6.71		1
838	2080879	HARNESS,PAPER EJECT PHASE,RIGHT	...	1
839	1219764	LEVER,LOCK,PLANETARY		1
840	1219761	COMBINATION GEAR,36,8.8		1
841	1268876	PLATE ASSY.,ROLLER,BRAKE,UPPER		1
842	1268703	ROLLER ASSY.,BRAKE		2
843	1268894	EXTENSION SPRING,1.38		2
844	1268889	PLATE ASSY.,ROLLER,BRAKE,LOWER		1
845	1219765	SPUR GEAR,20,PLANETARY		1
846	1219763	SPUR GEAR,16, PLANETARY		1
847	1230525	COMPRESSION SPRING,3.38		1
848	1264206	COMPRESSION SPRING,0.78		1
849	1219762	HOLDER, PLANETARY		1
850	2035504	BOARD ASSY.,ENCODER	,	1
851	2078975	HARNESS,ENCODER,PF		1
852	1219802	HOLDER,SENSOR		1
853	1219811	BELT DRIVE SUBROLLER		1
854	1219809	PULLEY,BELT TENSION		1

EPSON

STYLUS PRO 4000

Page No.:7

REF.	PART NO	DESCRIPTION	SPEC	Qty
855	1230531	EXTENSION SPRING,15.98		1
856	1230536	INTERMITTENT GEAR,40		1
857	1230537	SPUR GEAR,18		1
858	1219843	LEVER,RELEASE,ROLLER,DRIVEN		1
859	1230535	TORSION SPRING,615		1
860	1230890	FRAME ASSY.,LEVER,RELEASE		1
861	2078940	HARNESS,PAPER THICKNESS,1		1
862	1219853	HOLDER,DETECTOR,PAPER THICKNESS		2
863	2032842	DETECTOR,HP;E	4V,50MA,100MW	2
864	2078955	HARNESS,PAPER THICKNESS,2		1
865	1230534	EXTENSION SPRING,8.08		6
866	1219851	LEVER,DETECTOR,PAPER THICKNESS,A		1
867	1219852	LEVER,DETECTOR,PAPER THICKNESS,B		1
868	1219841	HOLDER,ROLLER,DRIVEN		6
869	1249396	SHAFT,ROLLER,DRIVEN		6
870	1249394	STOPPER,HOLDER,DRIVEN		6
871	1270673	EXTENSION SPRING,0.22		1
872	1038961	ROLLER,DRIVEN;D		30
873	2080203	MOTOR ASSY.,CR		1
874	1219849	SHAFT,HOLDER,ROLLER,REAR		3
875	1219607	FRAME,SUB,HOLDER,ROLLER,REAR		3
876	1219845	SHAFT,RELEASE,ROLLER,DRIVEN		1
877	1219846	ROLLER,REAR		6
878	1219847	HOLDER,ROLLER,REAR		3
879	1266873	TORSION SPRING,41.2		6
880	1219848	ROLLER,GUIDE,ROLLER PAPER		9
881	1035402	ROLLER,LOADING,2		7
882	1219842	HOLDER,ROLLER,ROLLER PAPER		7
883	1219608	GUIDE,ROLLED PAPER		1
884	1219844	MOUNT PLATE,DETECTOR,REAR		1
885	2078953	HARNESS,HAND INSERTION,REAR		1
886	1269796	PAPER GUIDE ASSY.,M,SP		1
887	1230533	COMPRESSION SPRING,2.98		2
888	1219840	LEVER,LOCK,PAPER GUIDE,MIDDLE		2
889	1264223	GROUND SPRING,PAPER GUIDE,MIDDLE,LEFT		1
890	1219850	HOLDER,DETECTOR,PE		1
891	1269635	SHEET,ROLLER,SUB		12
892	2023967	BOARD ASSY.,PW		1
893	2078976	HARNESS,DETECTOR,PE		1
894	2014138	DETECTOR,PE		1
900	1219908	ROLLER ASSY.,PAPER EJECT		1
901	1219927	BELT,PAPER EJECT ROLLER		1
902	1219919	PULLEY,PAPER EJECT ROLLER		1
903	1230547	EXTENSION SPRING,0.871		1
904	1219961	WHEEL,DETECTION		1
905	2032842	DETECTOR,HP;E	4V,50MA,100MW	1
906	1269790	STAR WHEEL ASSY.,SP		16
907	1219882	SPUR GEAR,15.2		1
908	1048957	SCALLOP SPRING PIN-AW,2X10,F/B		1
909	2078956	HARNESS,LOAD PHASE		1
910	1219922	HOLDER,PAPER EJECT ROLLER		1
911	1259060	PAPER GUIDE ASSY.,PAPER EJECT,FRONT,LEFT		1
912	1272798	POROUS PAD,I		1
913	1272797	POROUS PAD,H		1
914	1272795	POROUS PAD,G		1
915	1272793	POROUS PAD,F		1

EPSON

STYLUS PRO 4000

Page No.:8

REF.	PART NO	DESCRIPTION	SPEC	Qty
916	1272792	POROUS PAD,E		1
917	1259058	PAPER GUIDE ASSY.,PAPER EJECT,FRONT,RIGHT		1
918	1272790	POROUS PAD,C2		1
919	1272789	POROUS PAD,B2		1
920	1259059	P.G ASSY.,PAPER EJECT,FRONT,MIDDLE		1
921	1272791	POROUS PAD,D2		1
922	1269614	PAD,AIR SEAL,E		1
923	1219865	BUSHING,SPACER,PLATEN		12
924	1270015	SPACER,PAPER EJECT		6
950	1269797	ASF UNIT,SP		1
951	1219947	EDGE GUIDE		1
952	1219949	CORK,PAPER FEED		2
953	1035697	LEVER,LOCK,EDGE GUIDE		1
954	1264623	COVER,EDGE GUIDE		1
955	1264622	LEVER,EDGE GUIDE		1
956	1035696	COMPRESSION SPRING,0.46		1
957	1030960	COMPRESSION SPRING,3.23		1
958	1219948	SLIDER,EDGE GUIDE		1
959	1219943	HOPPER		1
960	1264118	GUIDE,LOWER		2
961	1266425	EXTENSION SPRING,1.11		2
962	1230550	COMPRESSION SPRING,0.40		2
963	1219936	ROLLER,SUB,LD,MIDDLE		2
964	1230552	COMPRESSION SPRING,0.407		1
965	1235932	ROLLER ASSY.,LD,LEFT		1
966	1219953	COVER,ROLLER,LD,LEFT		1
967	1219952	COVER,ROLLER,LD,RIGHT		1
968	1235931	ROLLER ASSY.,LD,RIGHT		1
969	1235930	HOLDER ASSY.,PAD,LEFT		1
970	1030449	LEVER,PAD,RELEASE,LEFT		1
971	1030420	ROD SPRING,HOLDER,PAD		2
972	1235929	HOLDER ASSY.,PAD,RIGHT		1
973	1030450	LEVER,PAD,RELEASE,RIGHT		1
974	1036874	EXTENSION SPRING,0.62		2
975	1230551	COMPRESSION SPRING,1.47		2
976	1219942	LEVER,PAPER RETURN,LEFT		1
977	1040646	EXTENSION SPRING,0.294		2
978	1219940	HOLDER,ROLLER,LD,SUPPORT,LEFT		1
979	1040596	ROLLER,LD,SUPPORT		2
980	1219939	HOLDER,EDGE GUIDE,LEFT		1
981	1230549	COMPRESSION SPRING,9.82		2
982	1219941	LEVER,PAPER RETURN,RIGHT		1
983	1219938	HOLDER,ROLLER,LD,SUPPORT,RIGHT		1
984	1219937	HOLDER,EDGE GUIDE,RIGHT		1
985	1219960	BUSHING,LOCK,11.4		1
986	1219968	GROUND SPRING,ASF		1
987	1219959	LEVER,HOPPER,RELEASE		2
988	1219963	LEVER,LOCK,EDGE GUIDE		2
989	1264205	EXTENSION SPRING,0.33		2
990	1230898	FRAME ASSY.,ASF,LOWER		1
991	1219929	FRAME,ASF,RIGHT		1
992	1219962	GEAR,44.74		1
N/A	1277074	CODE TYPE MICROPHONE(U-505)	DIAGNOSTIC TOOL	1
N/A	1282355	PAPER THICKNESS ADJUST TOOL SET OF 4	NEWLY ADDED PART	1
N/A	1282354	MULTI SENSOR POSITION TOOL	NEWLY ADDED PART	1
N/A	1103969	INK CART. BOXED BLACK PIGMENT		1

EPSON

STYLUS PRO 4000

Page No.:9

REF.	PART NO	DESCRIPTION	SPEC	Qty
N/A	1103970	INK CART. BOXED CYAN PIGMENT		1
N/A	1103971	INK CART. BOXED MAGENTA PIGMENT		1
N/A	1103972	INK CART. BOXED YELLOW PIGMENT		1
N/A	1103973	INK CART. BOXED LT. CYAN PIGMENT		1
N/A	1103974	INK CART. BOXED LT. MAGENTA PIGMENT		1
N/A	1103975	INK CART. BOXED GREY PIGMENT		1
N/A	1103976	INK CART. BOXED MATT BLACK PIGMENT		1
END				

EPSON STYLUS PRO 4000

Page No.:10

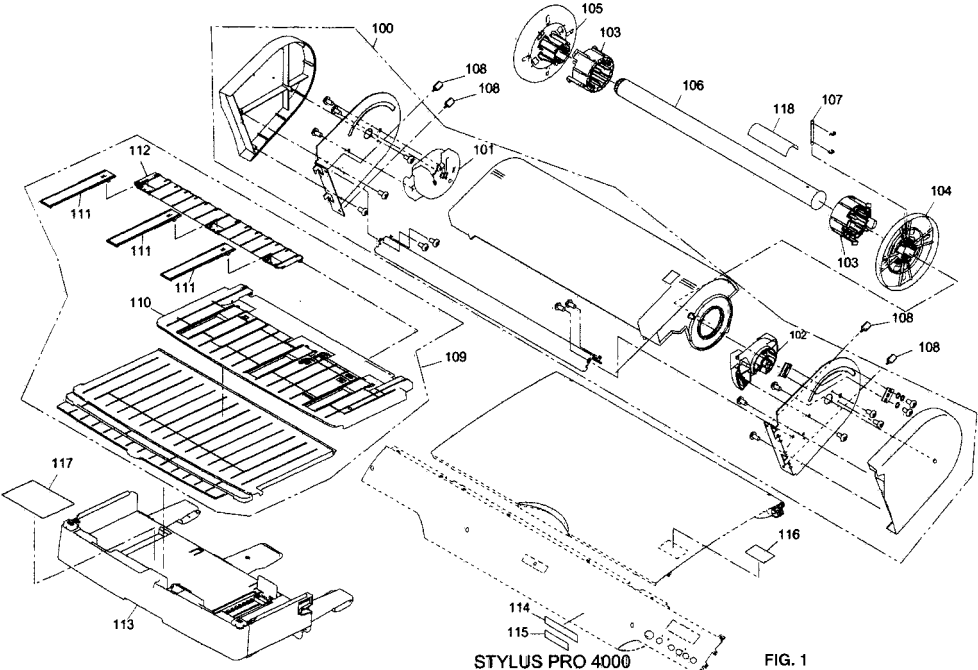


FIG. 1

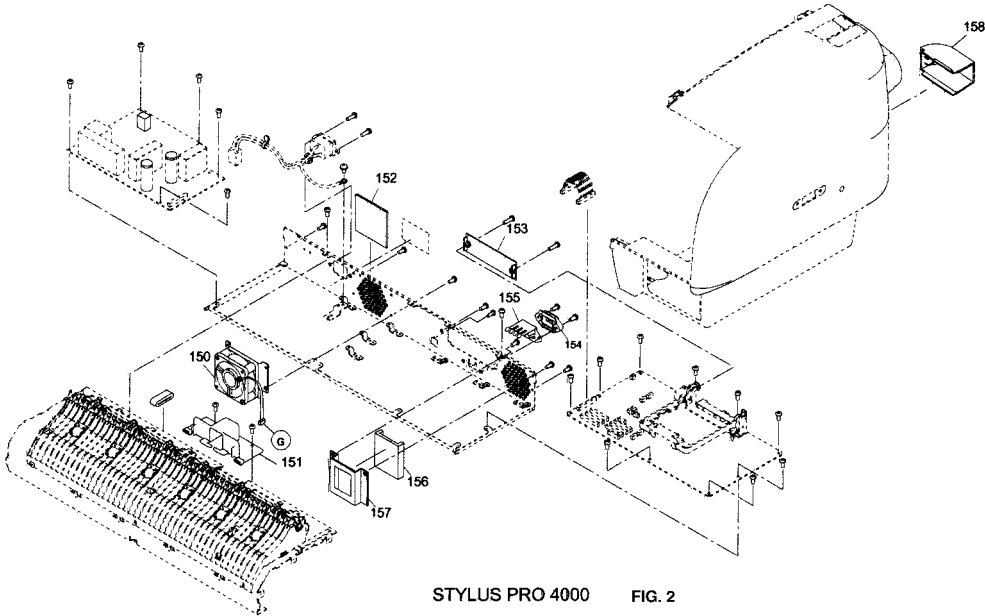
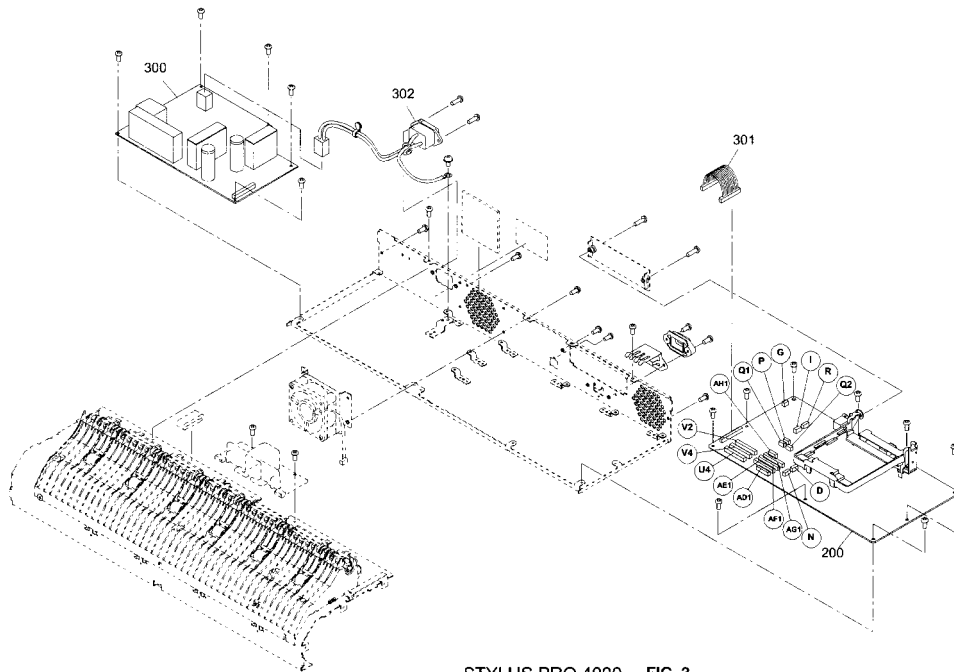


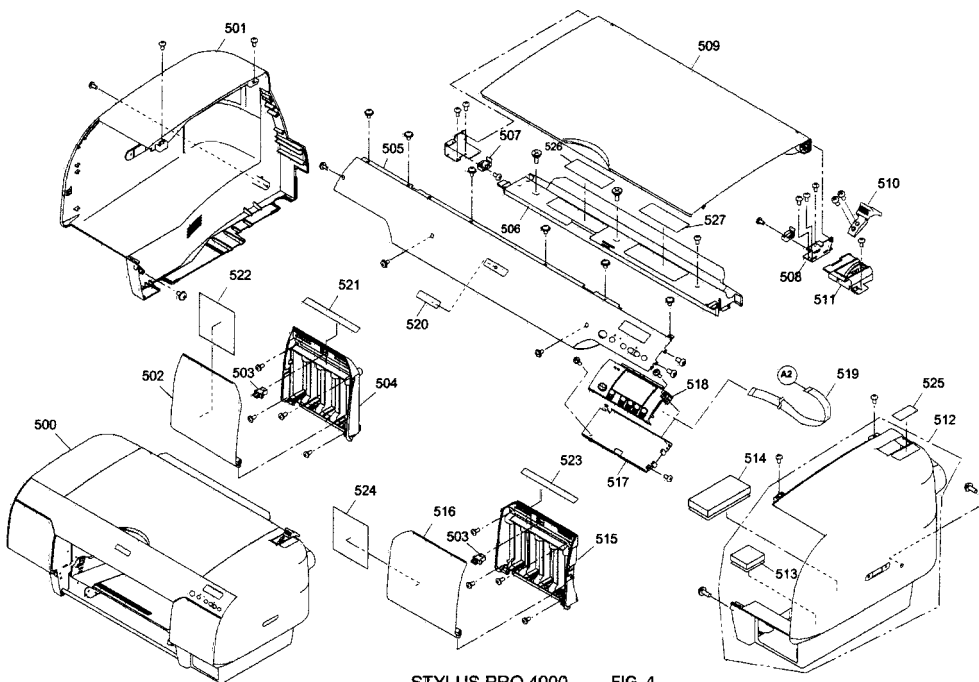
FIG. 2

EPSON STYLUS PRO 4000

Page No.:11



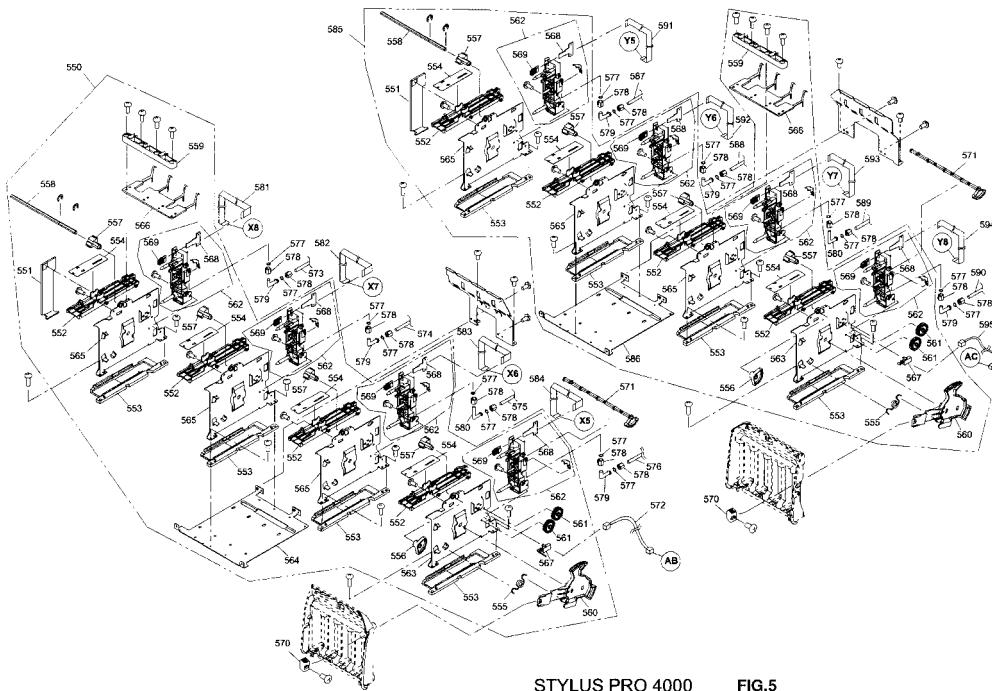
STYLUS PRO 4000 FIG. 3



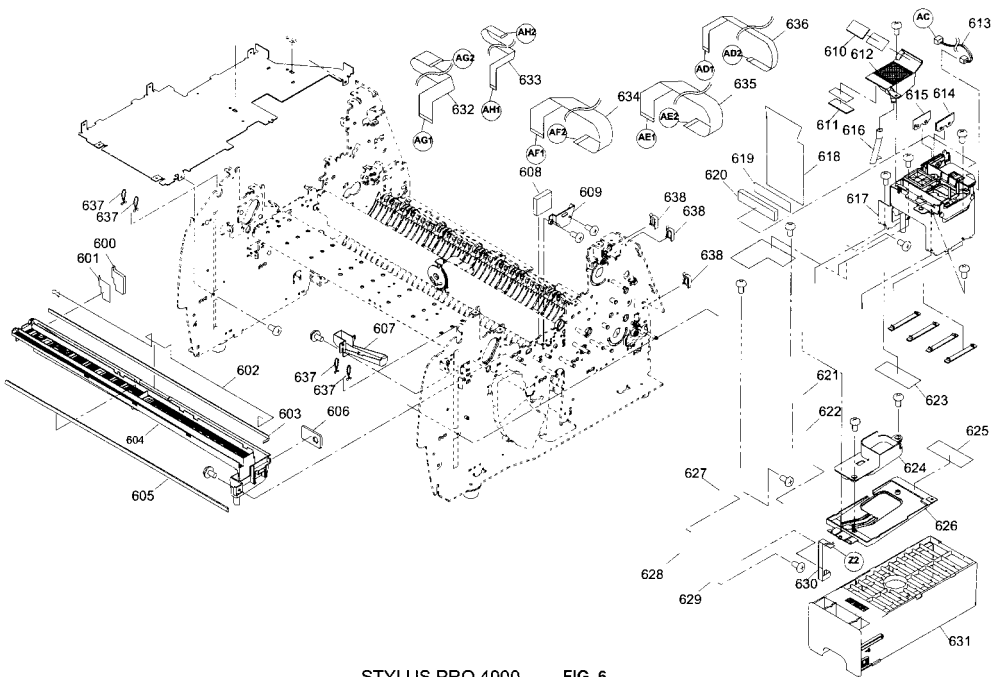
STYLUS PRO 4000 FIG. 4

EPSON STYLUS PRO 4000

Page No.:12



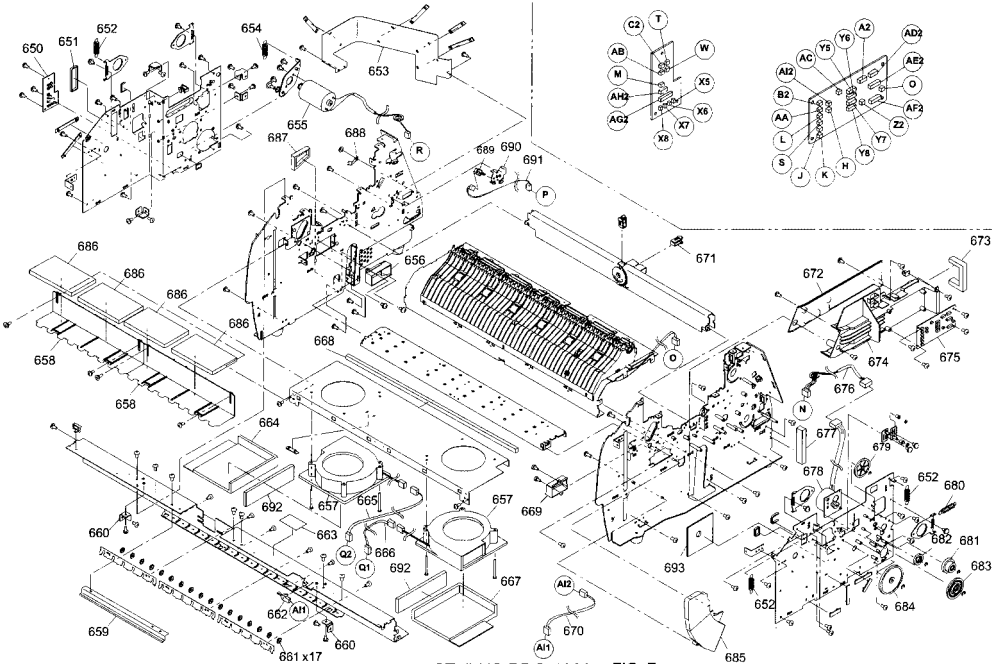
STYLUS PRO 4000 FIG.5



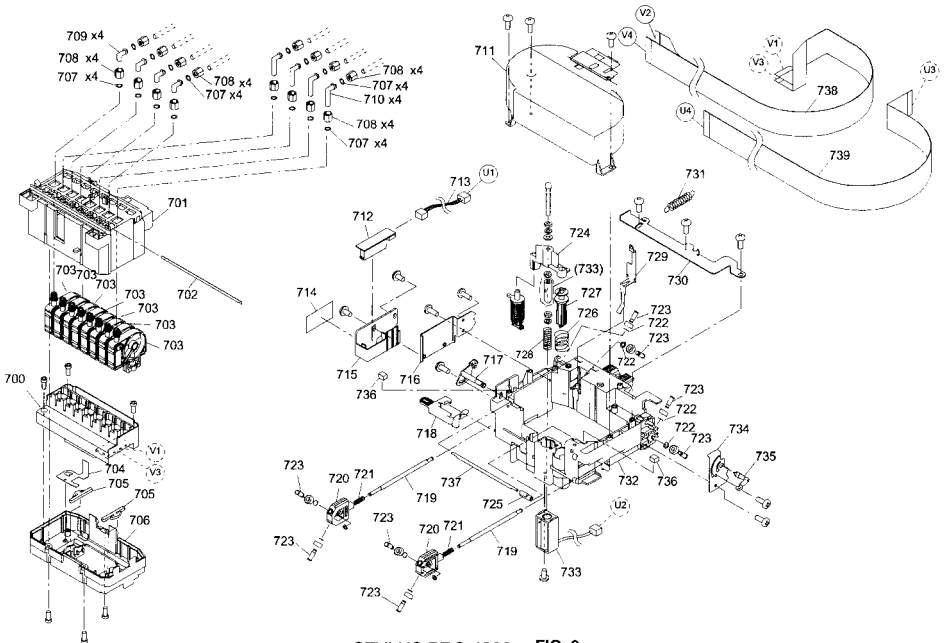
STYLUS PRO 4000 FIG. 6

EPSON STYLUS PRO 4000

Page No.:13



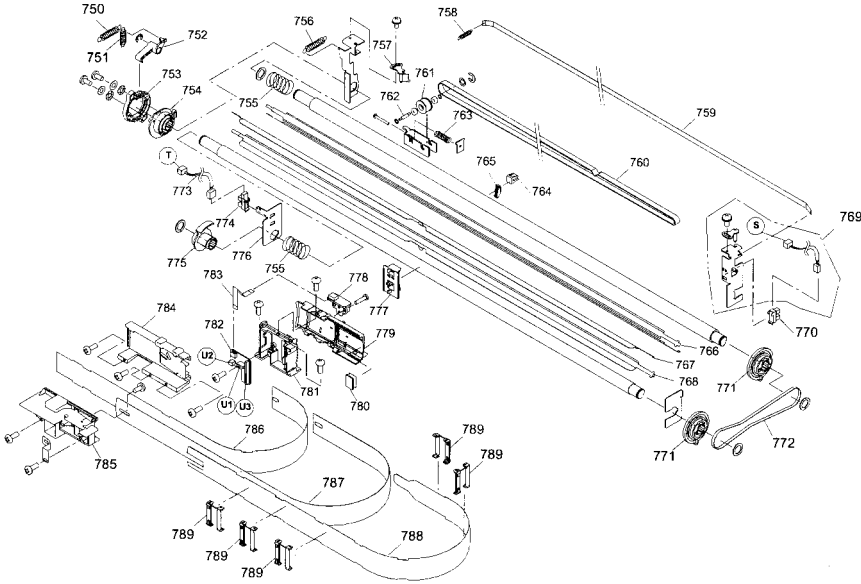
STYLUS PRO 4000 FIG. 7



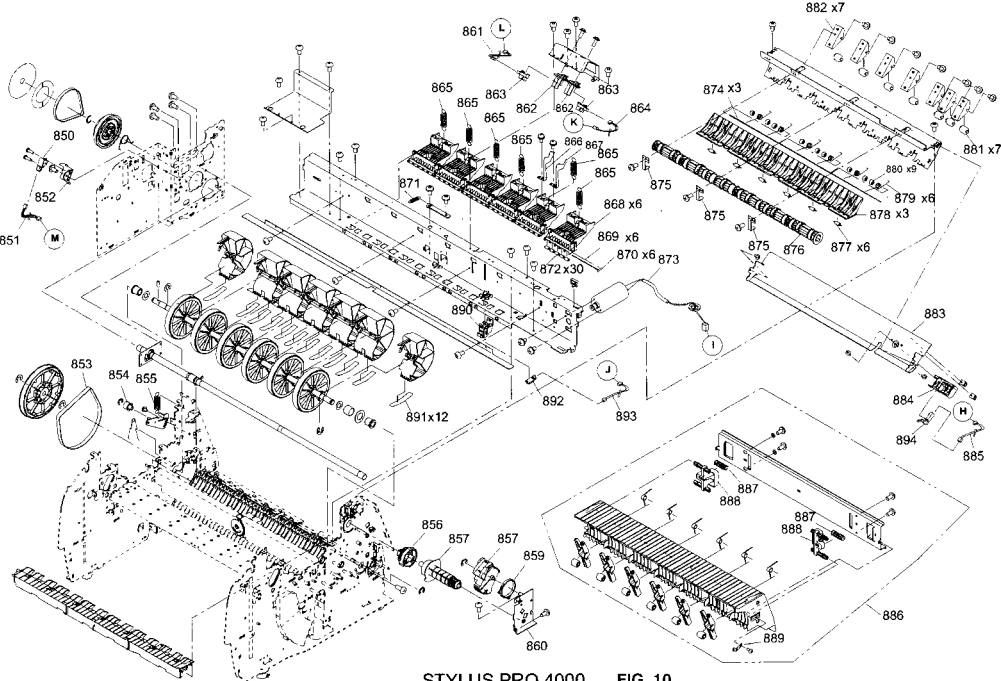
STYLUS PRO 4000 FIG. 8

EPSON STYLUS PRO 4000

Page No.:14



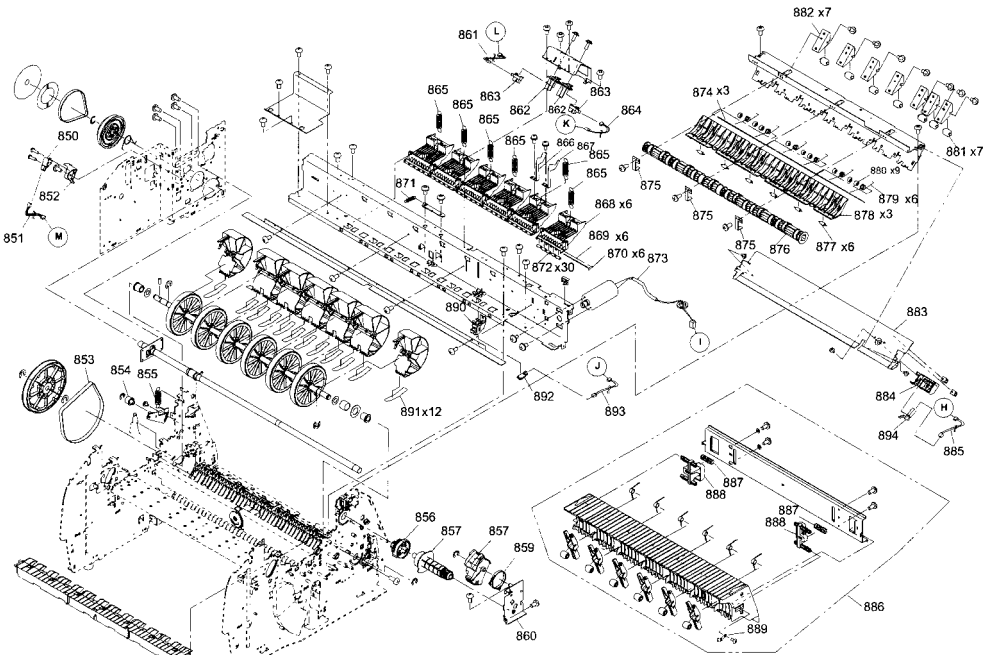
STYLUS PRO 4000 FIG.9



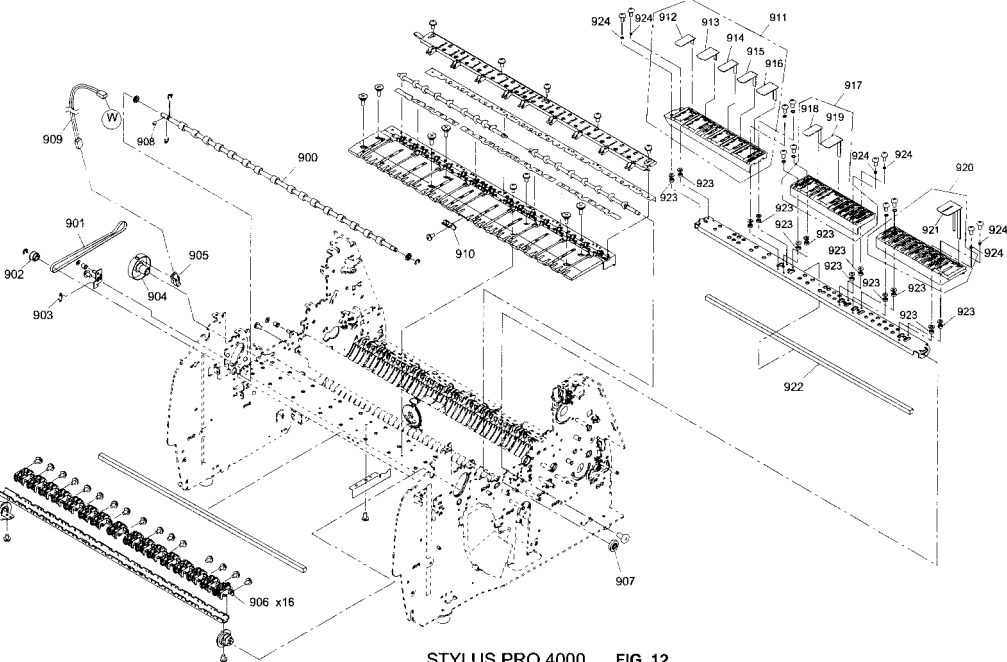
STYLUS PRO 4000 FIG. 10

EPSON STYLUS PRO 4000

Page No.:15



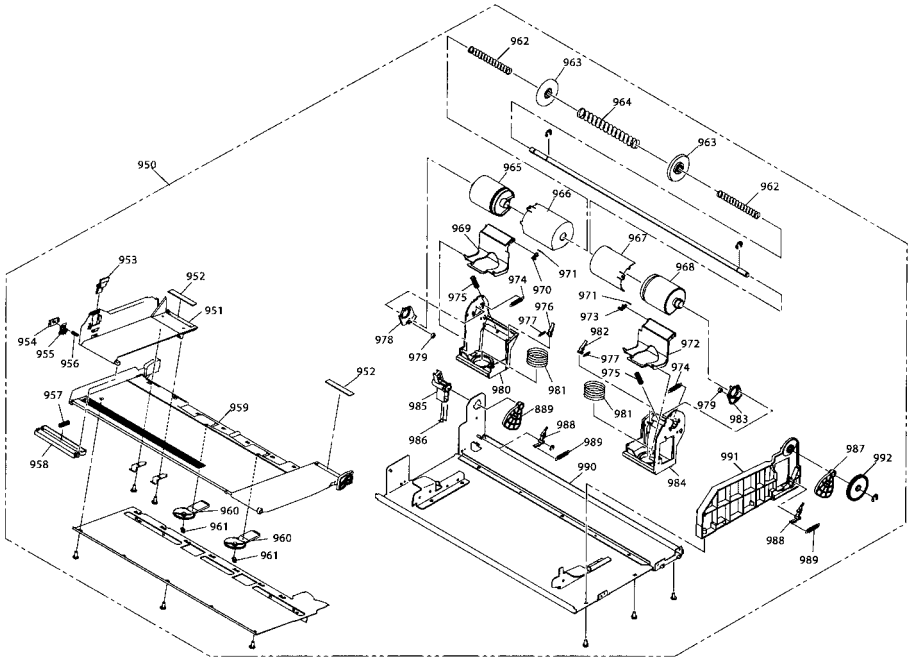
STYLUS PRO 4000 FIG. 11



STYLUS PRO 4000 FIG. 12

EPSON STYLUS PRO 4000

Page No.:16



STYLUS PRO 4000

FIG.13