

7.4 Exploded Diagram

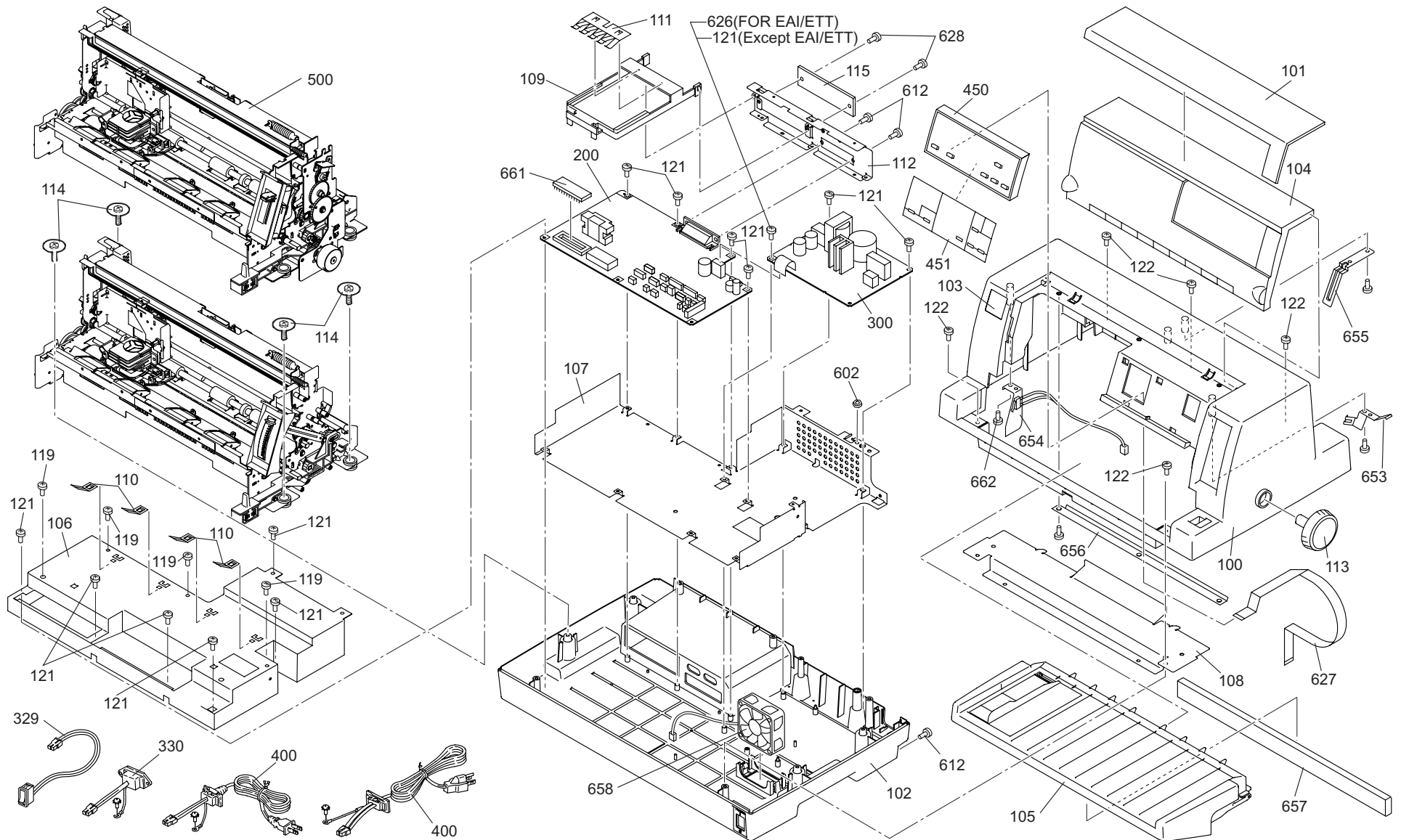


Figure 7-5. Exploded Diagram

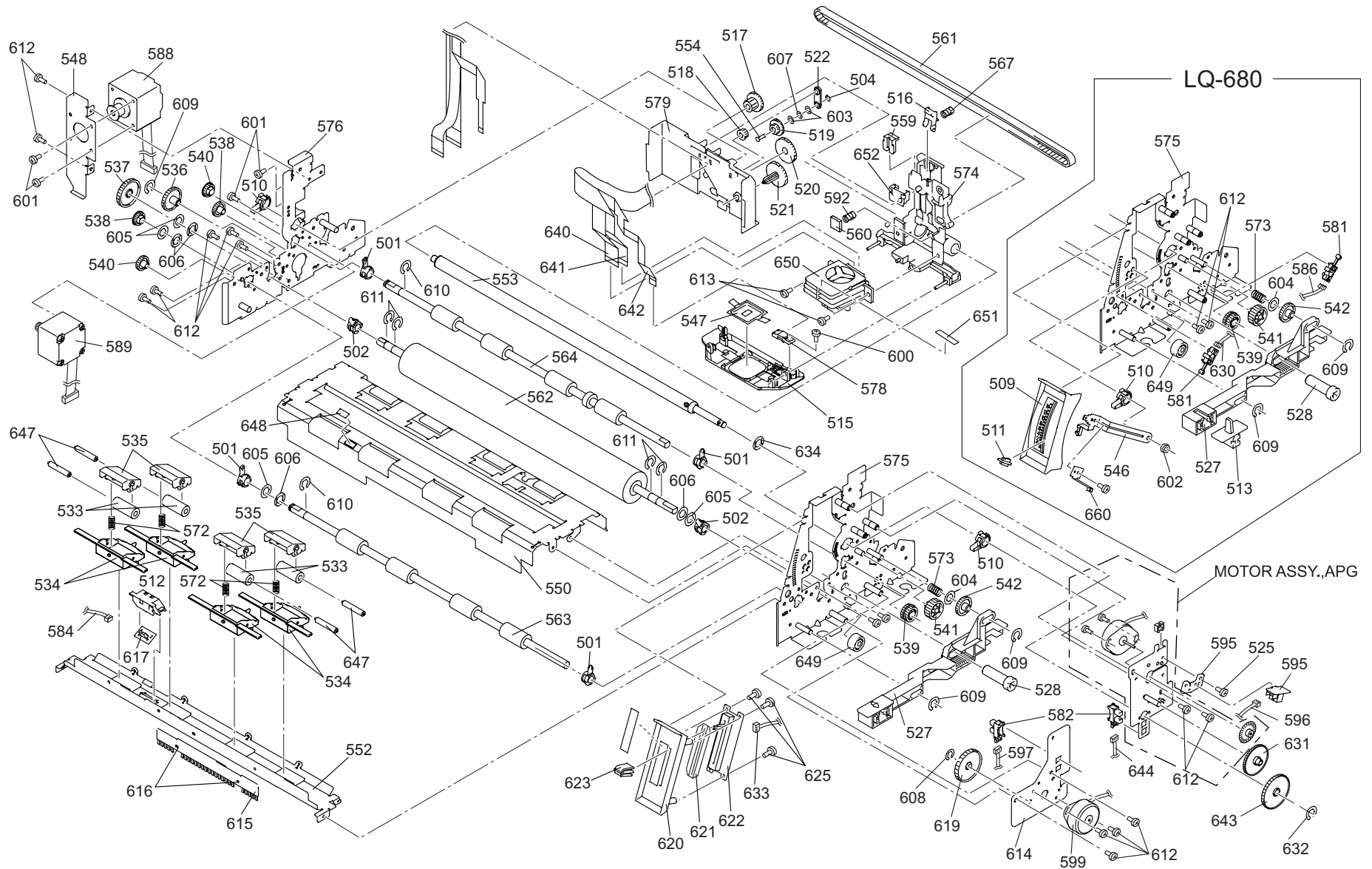


Figure 7-6. Exploded Diagram

Table 7-21. Parts Reference Table

Ref. No.	Description	Parts Price List Name
100	Upper Housing	Housing, Upper
101	Front Cover	Cover, Printer
102	Lower Housing Assembly	Housing, Assembly, Lower
103	Logo Plate	Logo Plate
104	Printer Cover Assembly	Cover Assembly, Printer; B
105	Front Edge Guide Assembly	Sheet, Guide Assembly
106	Upper Shield Board	Shield Plate, Upper
107	Shield Plate	Shield Plate
108	Wire Cover	Cover, Wiring
109	I/F Guide Board	Guide, I/F Board
110	Grounding Plate	Grounding Plate
111	Upper I/F Grounding Plate	Grounding Plate, I/F, Upper
112	I/F Grounding Plate	Grounding Plate, IF
113	Knob	Knob
114	Mechanism Fixing Screw	Printer Mechanism Mounting Screw
115	Upper Cover Connector	Cover, Connector, Upper
116	C.P. Screw M3X4	C.P. Screw M3X4
117	C.B.(O) Screw M4 X8	C.B.(O) Screw M4 X8 F/ZG
118	Plain Washer 3X0.5X8	Plain Washer 3X0.5X8
119	C.B.S. Screw M3X4	C.B.S. Screw M3X4
120	C.B.S. Screw M3X6	C.B.S. Screw M3X6
121	C.B.B. Screw M3X12	C.B.B. Screw M3X12
122	C.B.B Screw M4X14	C.B.B Screw M4X14
123	Hexagon Nut M4	Hexagon Nut M4
124	Harness	Harness
200	Main Board Assembly	Board Assembly, Main
300	Power Supply Board Assembly	Board Assembly, Power Supply
330	Harness	Harness
400	Power Cable	Power Cable
450	Panel Unit	Panel Unit
500	Printer Mechanism	Printer Mechanism, M-5060-100
501	Platen Shaft Holder	Platen Shaft Holder
502	Platen Shaft Holder(Gray)	Platen Shaft Holder (Gray)
503	Belt Drive Pulley F	Belt Driven Pulley F
504	Cut Washer	Cut Washer
505	Plain Washer 4.2X0.3X8	Plain Washer 4.2X0.3X8, L/NA
506	Spur Gear 20	Spur Gear, 20
507	Paper Support	Paper Support
508	Base Rubber	Base Rubber
509	Adjust Lever Holder	Holder, Adjust Lever
510	Parallelism Adjust Bushing	Bushing, Parallelism, Adjust
511	Lever Cap	Cap, Lever
512	(Front) PE Detector Holder	Holder, Detector, PE, Front
513	Upper Cable Holder	Holder, Cable, Upper
514	Lower Cable Holder	Holder, Cable, Lower
515	Ribbon Mask Holder	Holder, Ribbon, Mask
516	Rear Slider	Slider, Rear
517	Combination Gear 10, 17.5	Combination Gear, 10, 17.5
518	Spur Gear 11	Spur Gear, 11

Table 7-22. Parts Reference Table (Con.)

Ref. No.	Description	Parts Price List Name
519	Combination Gear 9.17	Combination Gear, 9.17
520	Combination Gear 14,26	Combination Gear, 14,26
521	Ratchet, RD	Ratchet, RD
522	RD Platen Lever	Lever, RD, Platen
523	Driven Pulley	Pulley, Driven
524	CR Motor Cover	Cover, Motor, CR
526	Release Shaft	Shaft, Release
527	Release Lever	Lever, Release
528	Release Gear	Release Gear
529	PF Roller Driven	Roller, Paper Load, Driven
530	Paper Guide Lever Change	Lever, Paper Guide, Change
531	PF Holder Driven	Holder, Paper Load, Driven
532	PF Bearing Driven	Bearing, Paper Load, Driven
533	Paper Eject Roller Driven	Roller, Paper Eject, Driven
534	Paper Eject Holder Lever	Holder, Lever, Paper Eject
535	Paper Eject Lever Driven	Lever, Paper Eject, Driven
536	Combination Gear 8,30	Combination Gear, 8,30
537	Spur Gear 36	Spur Gear,36
538	(Spur) Gear 18	Spur Gear,18
539	Combination Gear, 16,16	Combination Gear, 16,16
540	Spur Gear 16	Spur Gear,16
541	Spur Gear 20	Spur Gear, 20
542	Spur Gear 20	Spur Gear, 20
543	Base Frame	Frame, Base
544	CR Frame	Frame, CR
545	CR Guide	Guide, CR
546	Gap Adjustment Lever	Lever, Gap, Adjust
547	Ribbon Mask	Ribbon Mask
548	CR Motor Mounting Plate	Mounting Plate, Motor, CR
549	Driven Pulley Lever	Lever, Pulley, Driven
550	Paper Guide	Paper Guide
551	Tractor Cover	Cover, Tractor
552	Paper Eject Frame	Frame, Paper Eject
553	CR Guide Shaft	Shaft, CR Guide
554	Planetary Shaft RD	Shaft RD, Planet
555	Driven Pulley Shaft Lever	Shaft, Lever, Pulley, Driven
556	PF Drive Shaft	Shaft, Paper Load, Driven
557	TR Drive Shaft	Shaft, TR Drive
558	TR Drive Shaft	Shaft, TR, Guide
559	Front Slider	Slider, Front
560	Oil Pad	Oil Pad
561	Timing Belt	Timing Belt
562	Platen	Platen
563	PF Drive Roller	Roller, PF, Drive
564	Paper Eject Drive Roller	Roller, Paper Eject, Drive
565	(Left) Push Tractor	Tractor, Left
566	(Right) Push Tractor	Tractor, Right
567	Compression Spring 1.96	Compression Spring, 1.96

Table 7-23. Parts Reference Table (Con.)

Ref. No	Description	Parts Price List Name
568	Tension Spring 14.5	Extension Spring, 14.5
569	Compression Spring 1.47	Compression Spring, 1.47
570	Tension Spring 0.55	Extension Spring, 0.55
571	Compression Spring 1.96	Compression Spring, 1.96
572	Compression Spring 1.47	Compression Spring, 1.47
573	Compression Spring 1.96	Compression Spring, 1.96
575	Right Frame Assembly	Frame Assembly, Right
576	Left Frame Assembly	Frame Assembly, Left
577	Bushing Assembly Driven	Bushing Assembly, Driven
578	PW P.C.B Assembly	P.C.B Assembly, PW
579	Ribbon Cartridge Holder Assembly	Holder Assembly, Ribbon Cartridge
580	Head Cable Assembly	Cable Assembly, Head
581	Leaf Detector B2	Detector Leaf; B2
582	HP Detector	Detector, HP;D
583	HP Harness	Harness, HP
584	(Front) PF Harness	Harness, PE Front
585	PG Harness	Harness, PG
586	RE Harness	Harness, RE
587	(Rear) PE Harness	Harness, PE, Rear
588	CR Motor	Motor, CR
589	PF Motor	Motor, PF
590	(Front)PE Detector	Detector, PE, Front
591	(Rear) PE Detector	Detector, PE, Rear
592	Compression Spring 0.049	Compression Spring, 0.049
600	C.B. Screw M2.5X5	C.B. Screw M2.5X5
601	C.B. Screw M3X6	C.B. Screw M3X6
602	Hexagon Nut M4	Hexagon Nut M4
603	Plain Washer 3X0.5X8	Plain Washer 3X0.5X8
604	Plain Washer 5.2X0.3X10	Plain Washer 5.2X0.3X10
605	Plain Washer 8X0.5X15	Plain Washer 8X0.5X15
606	Leaf Spring 8.2X0.25X15	Leaf Spring 8.2X0.25X15
607	Leaf Spring	Leaf Spring
608	E-Shaped Retaining Ring (#3)	Retaining Ring ETWJ-3
609	E-Shaped Retaining Ring (#4)	Retaining Ring ETWJ-4
610	E-Shaped Retaining Ring (#6)	Retaining Ring ETWJ-6
611	Crescent Retaining Ring	Retaining Ring
612	C.B.S. Screw M3X6	C.B.S. Screw M3X6
613	C.B.S. Screw M3X10	C.B.S. Screw M3X10
650	Print Head	Print Head, DH24-0C0