



# **LASER PRINTER**

## **PARTS REFERENCE LIST**



**WL-660**

---

## NOTE FOR USING THIS PARTS REFERENCE LIST

1. In the case of ordering parts, it needs mentioning the following items:

- (1) Code
- (2) Q'ty
- (3) Description
- (4) Revision No. (for a kind of printed circuit boards)

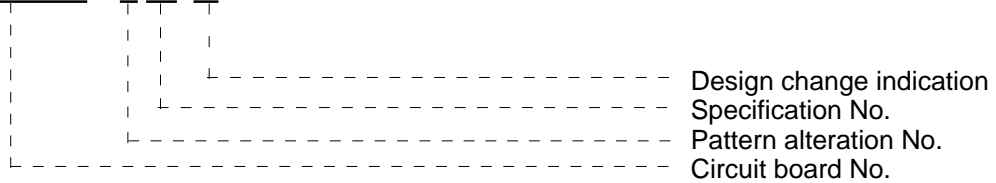
Note : No orders without Parts Code or Tool No. can be accepted.

< Example >

| REF.NO. | CODE | Q'TY | DESCRIPTION | REMARKS |
|---------|------|------|-------------|---------|
|         |      |      |             |         |

(5) Revision No. : marked on a printed circuit board.

B48K056 - 201 A



2. Design-changed parts:

If the parts are changed, any one of the following symbols is indicated in the REMARKS column.

- #A : compatible between old and new
- #B : replaceable from old to new
- #D : incompatible
- # : newly established

3. The original of this list was made based on the information available in June, '95.

4. Parts are subject to change in design without prior notice.

# CONTENTS

|                                  |    |
|----------------------------------|----|
| 1. FRAME .....                   | 2  |
| 2. FRAME ATTACHMENT .....        | 3  |
| 3. SCANNER .....                 | 3  |
| 4. PAPER FEEDER .....            | 4  |
| 5. PAPER TRAY .....              | 4  |
| 6. FIXING UNIT .....             | 5  |
| 7. CABINET .....                 | 5  |
| 8. MAIN PCB .....                | 6  |
| 9. DRIVER PCB .....              | 6  |
| 10. LOW POWER SUPPLY UNIT .....  | 7  |
| 11. HIGH POWER SUPPLY UNIT ..... | 7  |
| 12. POWER CORDS .....            | 8  |
| 13. DOC/ATTACHMENTS .....        | 8  |
| 14. PACKINGS .....               | 9  |
| 15. ADJUSTING TOOL KITS .....    | 10 |

Fig.3. POWER CORDS

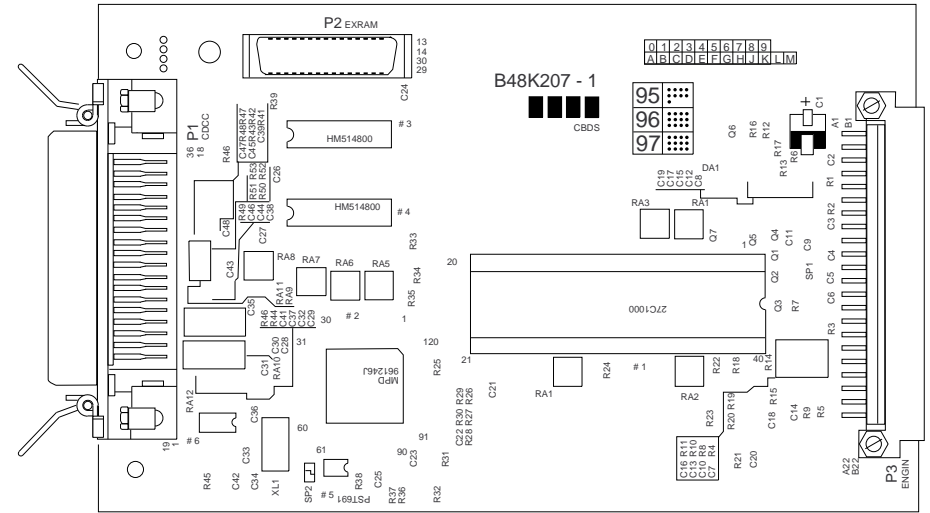
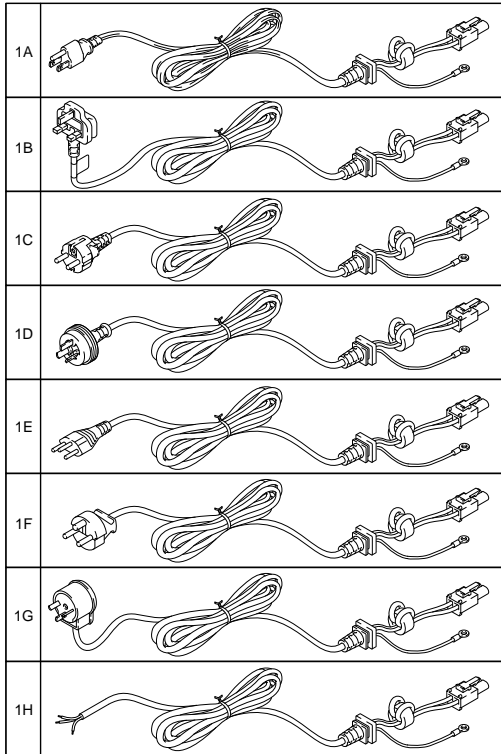
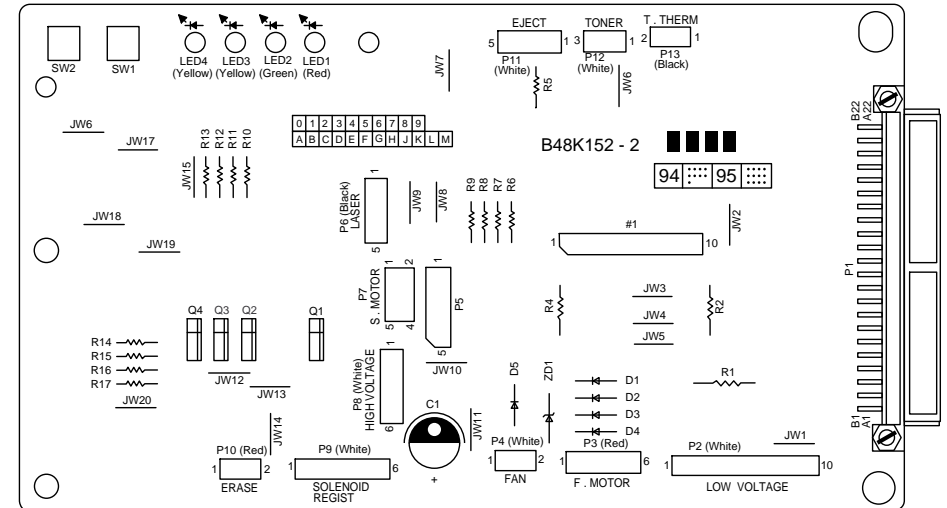
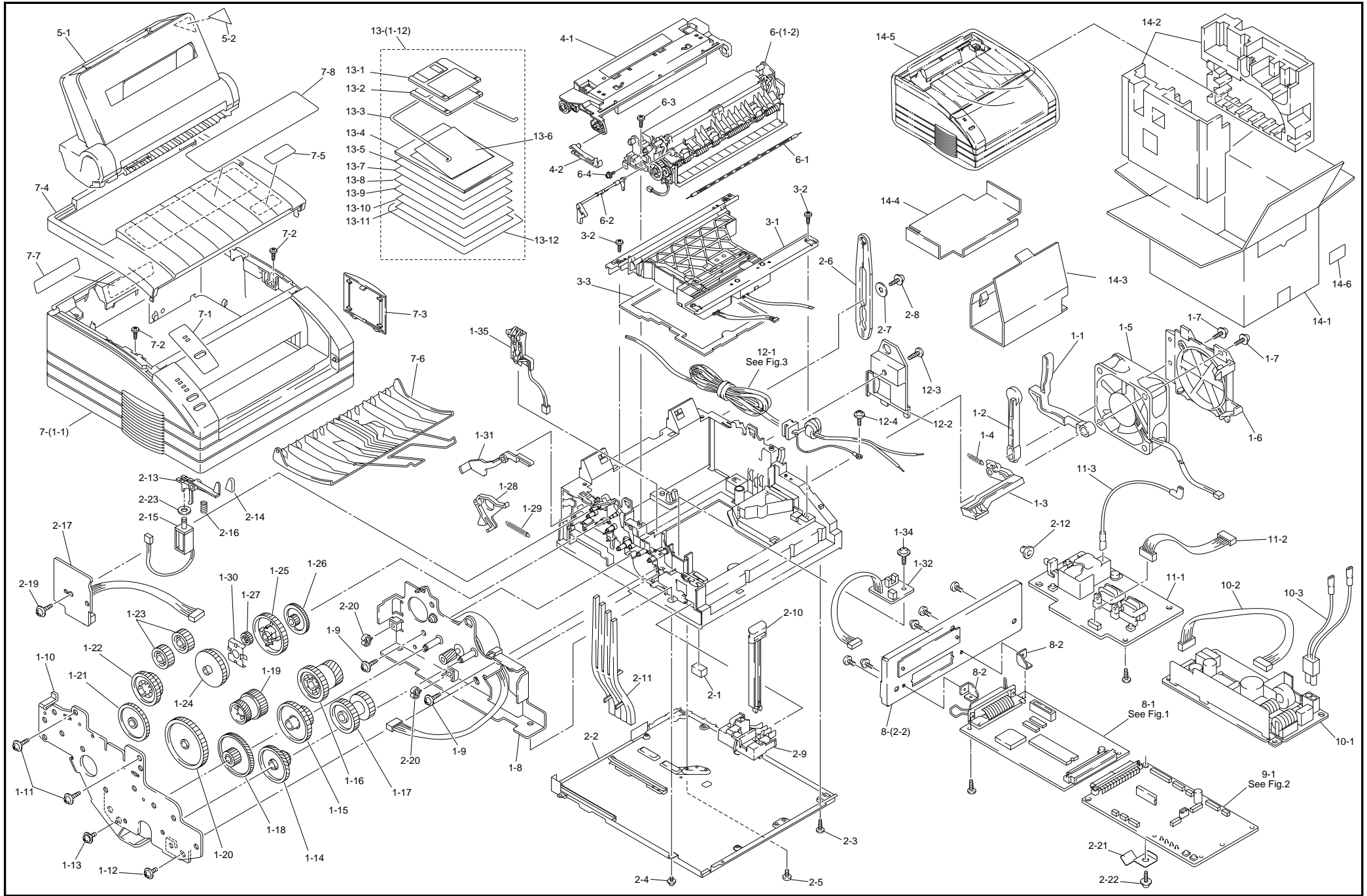


Fig.2. DRIVER PCB



GENERAL DRAWING



## 1 .FRAME

| REF.NO. | CODE      | Q'TY | DESCRIPTION                   | REMARKS      |
|---------|-----------|------|-------------------------------|--------------|
| 1       | UL5009000 | 1    | INTERLOCK LEVER, CV           |              |
| 2       | UL5011000 | 1    | INTERLOCK LEVER, PENDULUM     |              |
| 3       | UL5012000 | 1    | INTERLOCK LEVER, S            |              |
| 4       | UL5013001 | 1    | SPRING, EXTENSION             |              |
| 5       | UL5774001 | 1    | FAN MOTOR B37                 |              |
| 6       | UL5044000 | 1    | FAN GUARD                     |              |
| 7       | 087310815 | 2    | TAPTITE, CUP B M3X8           |              |
| 8       | UL5019001 | 1    | MAIN MOTOR UNIT               |              |
| 9       | 087310815 | 2    | TAPTITE, CUP B M3X8           |              |
| 10      | UL7314000 | 1    | GEAR SHAFT PLATE 2            |              |
| 11      | 087310815 | 2    | TAPTITE, CUP B M3X8           |              |
| 12      | 0A5300605 | 1    | SCREW, PAN (WASHER) M3X6DB    |              |
| 13      | 087320616 | 1    | TAPTITE, CUP S M3X6           |              |
| 14      | UL5027000 | 1    | GEAR, 23/66                   |              |
| 15      | UL5028000 | 1    | GEAR, 22/63                   |              |
| 16      | UL5029000 | 1    | GEAR, 25/40                   |              |
| 17      | UL5030000 | 1    | GEAR, 23/37                   |              |
| 18      | UL5031000 | 1    | GEAR, 17/78                   |              |
| 19      | UL5032000 | 1    | GEAR, 29/38                   |              |
| 20      | UL7315000 | 1    | IDLE GEAR 2, 59               |              |
| 21      | UL5034000 | 1    | GEAR 20/43                    |              |
| 22      | UL5035000 | 1    | GEAR, 27/38                   |              |
| 23      | UL5036000 | 2    | IDLE GEAR, 24                 |              |
| 24      | UL5037000 | 1    | GEAR, 42/60                   |              |
| 25      | UL5038000 | 1    | CLUTCH GEAR, 47               |              |
| 26      | UL5039000 | 1    | GEAR, 18                      |              |
| 27      | UL5040000 | 1    | CLUTCH GEAR, 21               |              |
| 28      | UL7316000 | 1    | CLUTCH LEVER 2                |              |
| 29      | UF3056001 | 1    | SPRING, EXTENSION             |              |
| 30      | UL5050001 | 1    | SPRING PLATE                  |              |
| 31      | UL7317001 | 1    | REGIST SENSOR LEVER 2         |              |
| 32      | UK2938001 | 1    | PAPER EJECT SENSOR PCB ASSY W | CHNG<br>CHNG |
| 34      | 087310815 | 1    | TAPTITE, CUP B M3X8           |              |
| 35      | UL5015001 | 1    | ERASE LAMP FEEDER HOLDER ASSY |              |

## 2 . FRAME ATTACHMENT

| REF.NO. | CODE      | Q'TY | DESCRIPTION                    | REMARKS      |
|---------|-----------|------|--------------------------------|--------------|
| 1       | UL5073001 | 4    | RUBBER FOOT                    |              |
| 2       | UL5075001 | 1    | BASE PLATE ASSY                |              |
| 3       | 085411015 | 8    | TAPTITE, BIND B M4X10          |              |
| 4       | 087320616 | 1    | TAPTITE, CUP S M3X6            |              |
| 5       | 000400606 | 2    | SCREW, PAN BIND M4X6           |              |
| 6       | UL5269000 | 1    | TOP COVER LINK                 |              |
| 7       | UL5270001 | 1    | WASHER                         |              |
| 8       | 085411015 | 1    | TAPTITE, BIND B M4X10          |              |
| 9       | UL5082000 | 1    | SWITCH LEVER                   |              |
| 10      | UL5083001 | 1    | SWITCH KEY                     |              |
| 11      | UL5085000 | 1    | PANEL RIGHT GUIDE              |              |
| 12      | UL5086003 | 1    | CONCENTRATION DIAL, GRAY(1252) |              |
| 13      | UL7325000 | 1    | SOLENOID LEVER 2               |              |
| 14      | UL7385001 | 1    | RUBBER CAP                     |              |
| 15      | UL5043001 | 1    | SOLENOID C ASSY                |              |
| 16      | UL7326001 | 1    | SOLENOID LEVER SPRING          |              |
| 17      | UK3036001 | 1    | REGIST SENSOR PCB ASSY V       | CHNG<br>CHNG |
| 19      | 087310815 | 1    | TAPTITE, CUP B M3X8            |              |
| 20      | UF0245000 | 2    | MINI CLAMP                     |              |
| 21      | UL5095000 | 1    | DRIVER EARTH PLATE SPRING      |              |
| 22      | 0A5401006 | 1    | SCREW, PAN (WASHER) M4X10DB    |              |
| 23      | UL5094000 | 1    | RUBBER BUSHING                 |              |

MODEL WL-660 54U-301-015

## 3 . SCANNER

| REF.NO. | CODE      | Q'TY | DESCRIPTION           | REMARKS |
|---------|-----------|------|-----------------------|---------|
| 1       | UL7084001 | 1    | SCANNER UNIT 600 (SP) |         |
| 2       | 085411015 | 4    | TAPTITE, BIND B M4X10 |         |
| 3       | UL5134001 | 1    | SPONGE                |         |

MODEL WL-660 54U-301-022

4 . PAPER FEEDER

| REF.NO. | CODE      | QTY | DESCRIPTION            | REMARKS |
|---------|-----------|-----|------------------------|---------|
| 1       | UL5145001 | 1   | UPPER SHOOT COVER ASSY |         |
| 2       | UL5161000 | 1   | RELEASE LINK           |         |

MODEL WL-660 54U-301-030

5 . PAPER TRAY

| REF.NO. | CODE      | QTY | DESCRIPTION       | REMARKS |
|---------|-----------|-----|-------------------|---------|
| 1       | UL5542001 | 1   | MP TRAY ASSY (SP) |         |
| 2       | UL5738003 | 1   | PAPER SET LABEL   |         |

MODEL WL-660 54U-301-040



## 6 .FIXING UNIT

| REF.NO. | CODE      | Q'TY | DESCRIPTION                 | REMARKS |
|---------|-----------|------|-----------------------------|---------|
| 1-2     | UL5536001 | 1    | FIXING UNIT, 115V (SP)      |         |
| 1-2     | UL5537001 | 1    | FIXING UNIT, 230V (SP)      | ADD     |
| 1       | UL5100001 | 1    | HALOGEN HEATER, 115V (SP)   |         |
| 1       | UL5101001 | 1    | HALOGEN HEATER, 230V (SP)   | ADD     |
| 2       | UL5250001 | 1    | PAPER EJECT ACTUATOR, BLACK |         |
| 3       | 087411216 | 2    | TAPTITE, CUP B M4X12        |         |
| 4       | 087320616 | 1    | TAPTITE, CUP S M3X6         |         |

MODEL WL-660 54U-301-050/051

## 7 .CABINET

| REF.NO. | CODE      | Q'TY | DESCRIPTION                 | REMARKS |
|---------|-----------|------|-----------------------------|---------|
| 1-1     | UL7390001 | 1    | MAIN COVER, GRAY1227        |         |
| 1       | UL7349001 | 1    | PANEL SHEET, BLUE85435      |         |
| 2       | 087411216 | 4    | TAPTITE, CUP B M4X12        |         |
| 3       | UL5278001 | 1    | FILTER COVER ASSY, GRAY1227 |         |
| 4       | UL5268001 | 1    | TOP COVER, GRAY1227         |         |
| 5       | UL7388001 | 1    | MODEL PLATE 660W            |         |
| 6       | UL5271001 | 1    | PAPER EJECT TRAY ASSY       |         |
| 7       | UL5277001 | 1    | SET LABEL                   |         |
| 8       | UL7389001 | 1    | MILAR STICKER 660W          |         |

MODEL WL-660 54U-301-060

8 . MAIN PCB

| REF.NO. | SYMBOL | CODE      | Q'TY | DESCRIPTION                | REMARKS |
|---------|--------|-----------|------|----------------------------|---------|
| 1       |        | UK2974001 | 1    | MAIN PCB ASSY, WL-660 (SP) |         |
| 2-2     |        | UL7159001 | 1    | I/F SHIELD ASSY            |         |
| 2       |        | UL5091000 | 2    | PCB ANGLE                  |         |

MODEL WL-660 54U-301-101

9 . DRIVER PCB

| REF.NO. | SYMBOL | CODE      | Q'TY | DESCRIPTION                  | REMARKS |
|---------|--------|-----------|------|------------------------------|---------|
| 1       |        | UK2986001 | 1    | DRIVER PCB ASSY, WL-660 (SP) |         |

MODEL WL-660 54U-301-151

## 10 .LOW POWER SUPPLY UNIT

| REF.NO. | CODE      | Q'TY | DESCRIPTION            | REMARKS |
|---------|-----------|------|------------------------|---------|
| 1       | UL5539001 | 1    | PS PCB ASSY, 115V (SP) | ADD     |
| 1       | UL5540001 | 1    | PS PCB ASSY, 230V (SP) |         |
| 2       | UK2212001 | 1    | LV HARNESS P ASSY      |         |
| 3       | UL8074001 | 1    | HEATER HARNESS ASSY    |         |
| 4       | UL8212001 | 1    | FERRITE CORE:19X10X10  |         |

MODEL WL-660 54U-301-200, 201

## 11 .HIGH POWER SUPPLY UNIT

| REF.NO. | CODE      | Q'TY | DESCRIPTION               | REMARKS |
|---------|-----------|------|---------------------------|---------|
| 1       | UL5541001 | 1    | HIGH-VOLTAGE PS ASSY (SP) |         |
| 2       | UK2208001 | 1    | HV HARNESS P ASSY         |         |
| 3       | UL8077001 | 1    | GHG HARNESS ASSY          |         |

MODEL WL-660 54U-301-220

## 12 . POWER CORDS

| REF.NO. | CODE      | Q'TY | DESCRIPTION              | REMARKS |
|---------|-----------|------|--------------------------|---------|
| 1       | UK3042001 | 1    | AC CORD ASSY, US W       | ADD     |
| 1       | UK3043001 | 1    | AC CORD ASSY, UK W       |         |
| 1       | UK3044001 | 1    | AC CORD ASSY, EUR W      |         |
| 1       | UK3046001 | 1    | AC CORD ASSY, SEV W      |         |
| 1       | UK3048001 | 1    | AC CORD ASSY, HEB W      |         |
| 2       | UL5407000 | 1    | FILTER CLAMP             |         |
| 3       | 085411015 | 1    | TAPTITE, BIND B M4X10    |         |
| 4       | 0A5400605 | 1    | SCREW, PAN (WASHER) M4X6 |         |

MODEL WL-660 54U-301-230

## 13 . DOC/ATTACHMENTS

| REF.NO. | CODE      | QTY | DESCRIPTION                      | REMARKS |
|---------|-----------|-----|----------------------------------|---------|
| 1-12    | UL7391001 | 1   | ATTACHMENTS ASSY, US             |         |
| 1-12    | UL7428001 | 1   | ATTACHMENTS ASSY, GER            |         |
| 1-12    | UL7429001 | 1   | ATTACHMENTS ASSY, FRA            |         |
| 1-12    | UL7430001 | 1   | ATTACHMENTS ASSY, NOR            |         |
| 1-12    | UL7448001 | 1   | ATTACHMENTS ASSY, BEL            |         |
| 1-12    | UL7431001 | 1   | ATTACHMENTS ASSY, SWI            |         |
| 1-12    | UL7447001 | 1   | ATTACHMENTS ASSY, FIN            |         |
| 1       | UK2982001 | 1   | PRINTER DRIVER DISK #1, US       |         |
| 2       | UK2984001 | 1   | PRINTER DRIVER DISK #2, US       |         |
| 3       | UL5214000 | 1   | TRAY EXTENSION                   |         |
| 4       | UL7392001 | 1   | USER'S MANUAL, US (USA/ FIN)     |         |
| 4       | UL7432001 | 1   | USER'S MANUAL, GER (GER/ SWI)    |         |
| 4       | UL7433001 | 1   | USER'S MANUAL, FRA (FRA/ SWI)    |         |
| 4       | UL7442001 | 1   | USER'S MANUAL, NOR               |         |
| 4       | UL7449001 | 1   | USER'S MANUAL, BEL               |         |
| 5       | UL7394001 | 1   | SET GUIDE, US (US/ FIN)          |         |
| 5       | UL7434001 | 1   | SET GUIDE, GER (GER/ SWI)        |         |
| 5       | UL7435001 | 1   | SET GUIDE, FRA (FRA/ SWI)        |         |
| 5       | UL7443001 | 1   | SET GUIDE, NOR                   |         |
| 5       | UL7450001 | 1   | SET GUIDE, BEL                   |         |
| 6       | UL5532001 | 1   | WARRANTY CARD, (USA ONLY)        |         |
| 7       | UL5533001 | 1   | SERVICE CARD 2, (USA ONLY)       |         |
| 8       | UH1392001 | 1   | EPA INSERTION SHEET, (USA ONLY)  |         |
| 9       | UL7395001 | 1   | ACCESSORY ORDER FORM, (USA ONLY) |         |
| 10      | UL7426001 | 1   | SC INSERTION SHEET, (USA ONLY)   |         |
| 11      | UL7155001 | 1   | TC INSERTION SHEET               |         |
| 12      | UE2014001 | 1   | BAG, 215X350H                    |         |

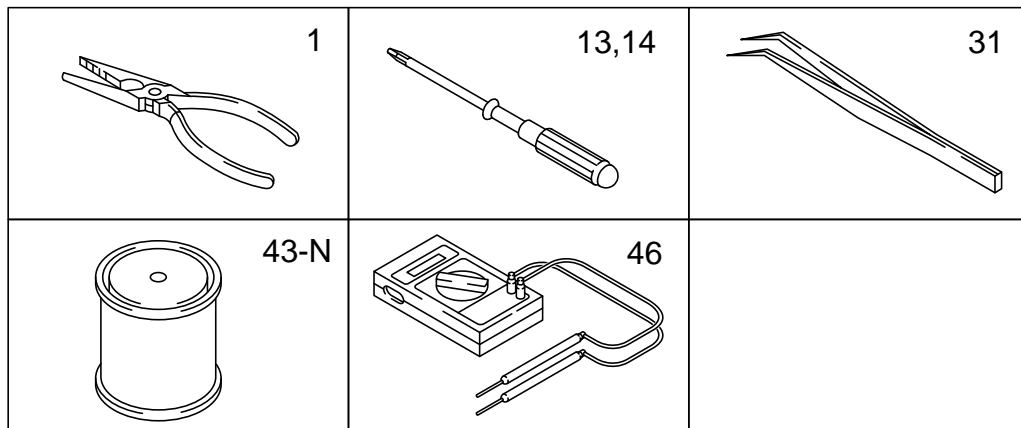
MODEL WL-660 54U-301-920

## 14 . PACKINGS

| REF.NO. | CODE      | Q'TY | DESCRIPTION               | REMARKS |
|---------|-----------|------|---------------------------|---------|
| 1       | UE2048001 | 1    | CARTON, WL-660            |         |
| 1       | UE2062001 | 1    | CARTON, WL-660 EUR        |         |
| 2       | UE0280001 | 1    | PAD ASSY                  |         |
| 3       | UE0283000 | 1    | BOX, DRUM                 |         |
| 4       | UE0284000 | 1    | BOX, MANUAL               |         |
| 5       | UE2023001 | 1    | SHEET, BODY               |         |
| 6       | UL7393001 | 1    | BAR CODE LABEL US, WL-660 |         |

MODEL WL-660 54U-301-930

## 15. ADJUSTING TOOL KIT



| TOOL NO. | TOOL NAME                                     |
|----------|---|
| ZX-1     | PLIER (150MM)                                 |
| ZX-13    | SCREW DRIVER PHILIPS (NO.1)                   |
| ZX-14    | SCREW DRIVER PHILIPS (NO.2)                   |
| ZX-31    | TWEEZERS (150MM)                              |
| ZX-43-N  | LUBRICATING GREASE (MOLYKOTE EM30L TKC-0) 1KG |
| ZX-46    | CIRCUIT TESTER                                |
|          |   |
|          |   |

