



**FACSIMILE EQUIPMENT
PARTS REFERENCE LIST**

MODEL: MFC Pro-700C

© Copyright Brother 1998

All rights reserved

No part of this publication may be reproduced in any form or by any means without permission in writing from the publisher.

Specifications are subject to change without prior notice.

NOTES FOR USING THIS PARTS REFERENCE LIST

1. In the case of ordering parts, it needs mentioning the following items:

- (1) Code
- (2) Q' ty
- (3) Description

Note: No orders without Parts Code or Tool No. can be accepted.

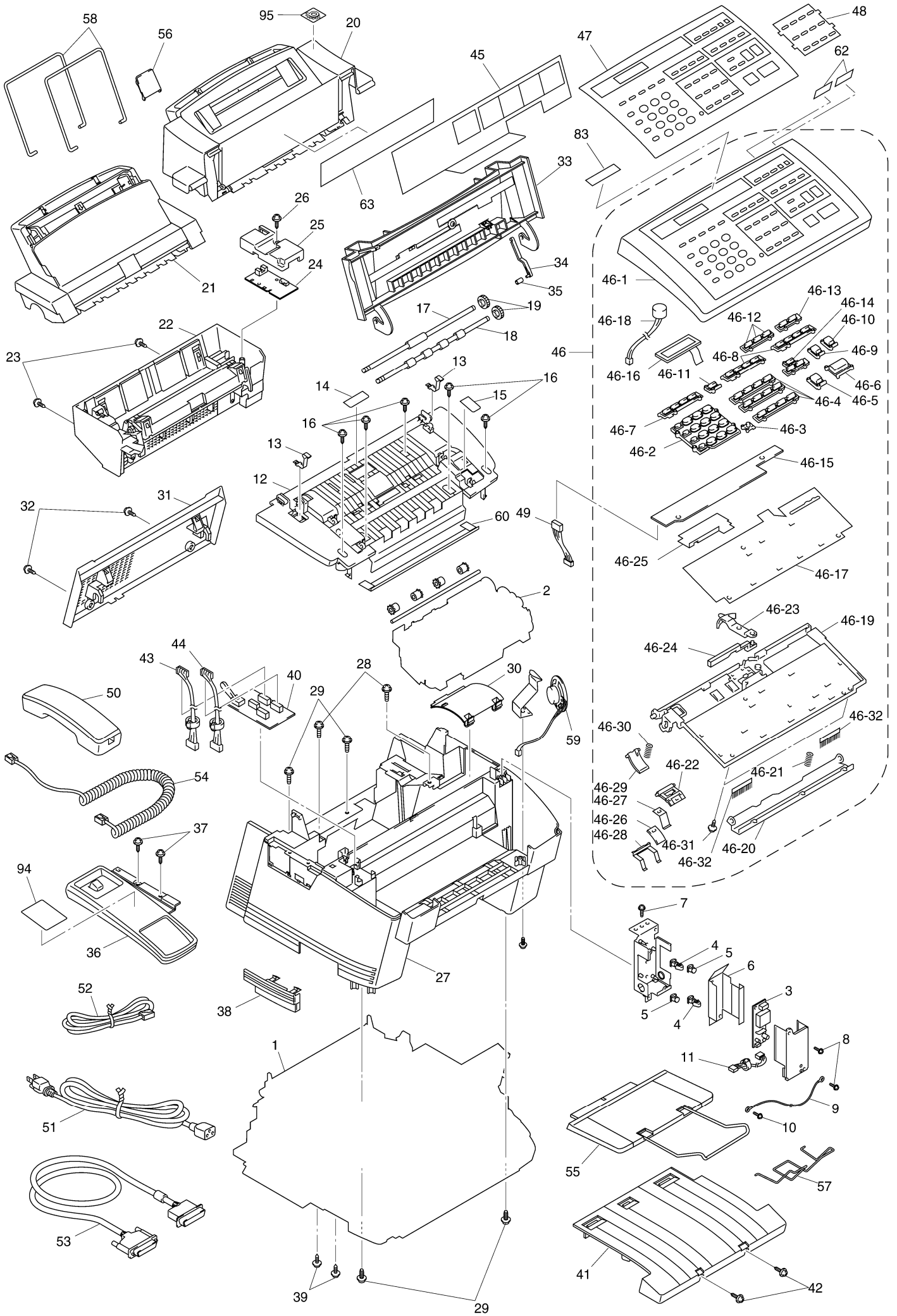
[Example]

REF.NO.	(1) CODE	(2) Q' TY	(3) DESCRIPTION	REMARKS

2. Parts change will be informed by the technical information.

COUNTRIES

GERMANY ----- GER
UNITED KINGDOM ----- UK
FRANCE ----- FRA
NORWAY ----- NOR
SWITZERLAND ----- CHE
SWEDEN ----- SWE



To replace those marked with an asterisk(*), you need the special adjustment jig set.
 If your service center has no special adjustment jig set, you cannot handle those parts as spare parts.

REF.NO.	CODE	QTY	DESCRIPTION	REMARKS
1			MAIN FRAME ATTACHMENT	
2			SCANNER FRAME ATTACHMENT	
3	UG6025001	1	INVERTER PCB ASSY	
4	UF9599001	2	SPACER A	
5	UF9600001	2	SPACER B	
6	UF9601001	1	INSULATING SHEET	
7	087311016	1	TAPTITE, CUP B M3X10	
8	087320516	2	TAPTITE, CUP S M3X5	
9	U38877001	1	GROUNDING TERMINAL	
10	087320516	1	TAPTITE, CUP S M3X5	
11	U38878001	1	INVERTER-MAIN HARNESS	
12	UF9027001	1	INNER COVER, WHITE(1138)	
13	UF9028001	2	PANEL OPEN SPRING	
14	UL5664001	1	ADF FILM	
15	UF7187001	1	GEAR COVER FILM	
16	087311016	2	TAPTITE, CUP B M3X10	
17	UF7033001	1	DOCUMENT FEED ROLLER	
18	UF9209001	1	DOCUMENT EJECTION ROLLER ASSY	
19	UF7035000	2	ROLLER GEAR	
20	UF9260001	1	1ST-BIN, WHITE(1138)	
21	----		NOT USED (MFC7200FC ONLY)	
22	----		NOT USED (MFC7200FC ONLY)	
23	----		NOT USED (MFC7200FC ONLY)	
24	----		NOT USED (MFC7200FC ONLY)	
25	----		NOT USED (MFC7200FC ONLY)	
26	----		NOT USED (MFC7200FC ONLY)	
27	UF9346001	1	MAIN COVER ASSY, WHITE(1138)	
28	087311016	2	TAPTITE, CUP B M3X10	
29	087411015	4	TAPTITE, CUP B M4X10	
30	UF9093001	1	HEAD COVER, WHITE(1138)	
31	UF9094001	1	REAR COVER, WHITE(1138)	
32	087311016	2	TAPTITE, CUP B M3X10	
33	UF9095001	1	TOP COVER, WHITE(1138)	
34	UF9191001	1	OPEN LINK, WHITE(1138)	
35	UF9239001	1	TUBE	
36	UF9166003	1	HANDSET MOUNT ASSY, WHITE(1138)	
37	087311016	2	TAPTITE, CUP B M3X10	
38	UF9108001	1	LAN COVER, WHITE(1138)	
39	0A5300805	2	SCREW, PAN (S/P WASHER) M3X8	
40	UG6037001	1	COVER SENSOR PCB ASSY	
41	UF9101001	1	PAPER EJECTION COVER, WHITE(1138)	
42	0A5300805	2	SCREW, PAN (S/P WASHER) M3X8	
43	UG6012001	1	COVER-MAIN HARNESS	
44	UG6096001	1	COVER-MAIN HARNESS B	
45	UF9270001	1	TOP CONER SHEET & LABEL ASSY	
46	UF9115001	1	CONTROL PANEL ASSY, WHITE(1138)	
46-1	UF9117001	1	CONTROL PANEL COVER, WHITE(1138)	
46-2	UF4393003	1	KEY, TEL, WHITE(1138)	
46-3	UF4576003	1	KEY, SHIFT, WHITE(1138)	
46-4	UF8176003	3	KEY, ONE TOUCH, WHITE(1138)	
46-5	UF8173001	1	KEY, STOP, ORANGE(3195)	

To replace those marked with an asterisk(*), you need the special adjustment jig set.
 If your service center has no special adjustment jig set, you cannot handle those parts as spare parts.

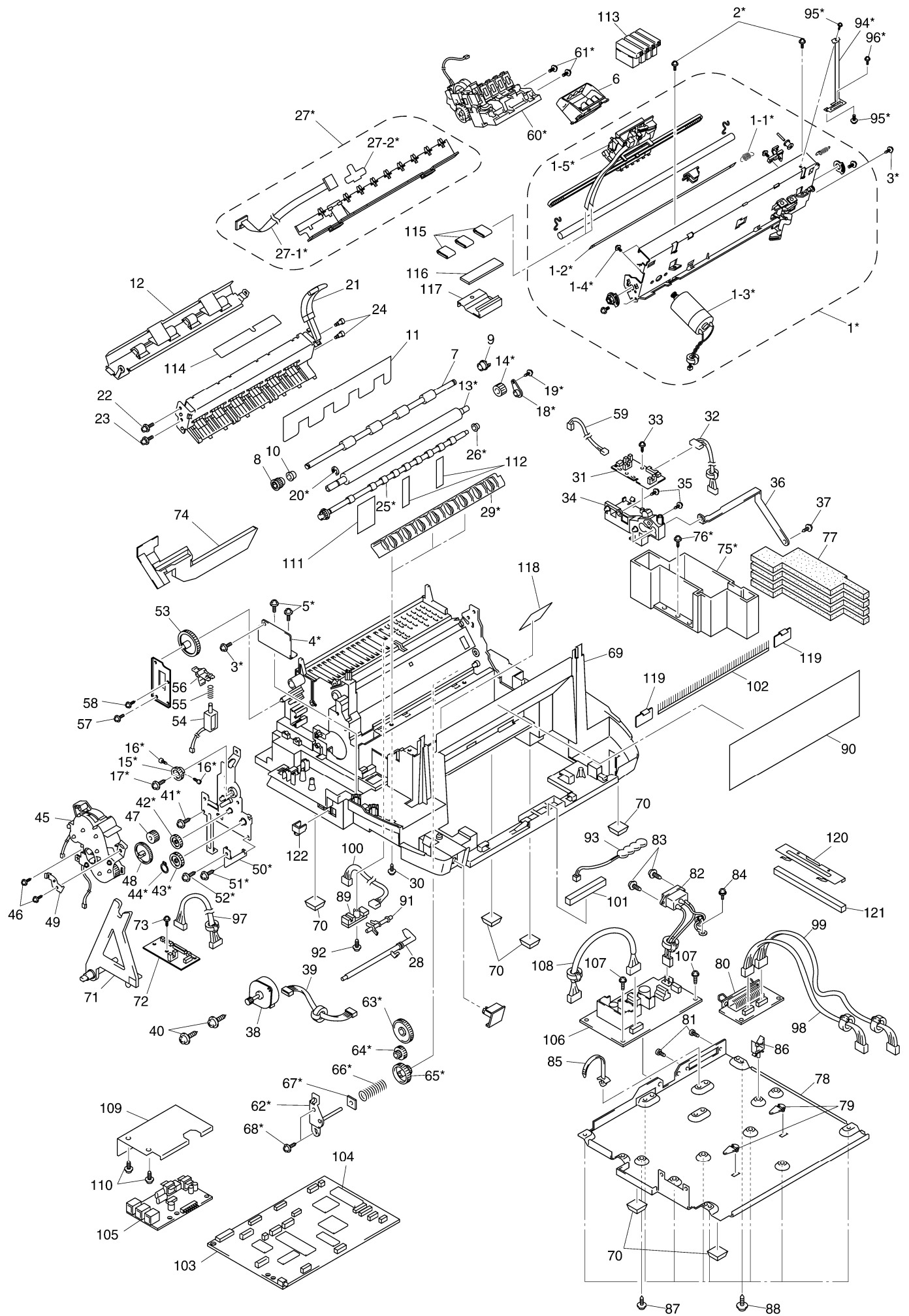
REF.NO.	CODE	QTY	DESCRIPTION	REMARKS
46-6	UF8172002	1	KEY, START, BLUE(6155)	
46-7	UF9118001	1	KEY, FUNCTION, WHITE(1138)	
46-8	UF9118002	2	KEY, FUNCTION, GRAY(1267)	
46-9	UF8174001	1	KEY, COPY, GRAY(1267)	
46-10	UF8174002	1	KEY, COPY, GREEN(5155)	
46-11	UF5581005	1	KEY, FUNCTION, WHITE(1138)	
46-12	UF5581006	3	KEY, FUNCTION, GRAY(1267)	
46-13	UF9119001	1	KEY, SPEAKER, GRAY(1267)	
46-14	UF9120001	1	KEY, MODE, GRAY(1267)	
46-15	UG6041001	1	PANEL PCB ASSY	
46-16	UG4162000	1	LCD	
46-17	UG6044001	1	FPC KEY	
46-18	UG6015001	1	MICROPHONE	
46-19	UF9121001	1	PANEL REAR COVER	
46-20	UF7155001	1	DOCUMENT PRESSURE BAR	
46-21	UF4404001	1	SPRING, COMPRESSION	
46-22	UF9122001	1	SEPARATION RUBBER HOLDER	
46-23	UF9123001	1	ADF ADJUSTER LEVER	
46-24	UF9124001	1	ADF SLIDE ARM	
46-25	UF9125001	1	INSULATION SHEET	
46-26	UF7158000	1	SEPARATION RUBBER	
46-27	UF7159001	1	ADF SPRING PLATE	
46-28	UF7160001	1	SPRING PLATE, ADF FRONT	
46-29	UF7161000	1	NIP-RELATED PART	
46-30	UF7162001	1	SPRING, COMPRESSION	
46-31	087310815	2	TAPTITE, CUP B M3X8	
46-32	UF9215001	2	ANTI-STATIC BRUSH	
47	UF9284001	1	PANEL SHEET FOR GER	
47	UF9286001	1	PANEL SHEET FOR FRA	
47	UF9296001	1	PANEL SHEET FOR NOR	
47	UF9285001	1	PANEL SHEET FOR UK/CHE	
47	UF9295001	1	PANEL SHEET FOR SWE	
48	UF8183003	1	ADDRESS LABEL, WHITE(1138)	
49	UG6016001	1	PANEL-MAIN HARNESS	
50	UF6400003	1	HANDSET, WHITE(1138)	
51	UH1052001	1	AC CORD ASSY FOR FRA/GER/NOR/SWE	
51	UH1053001	1	AC CORD ASSY FOR CHE	
51	UH1054001	1	AC CORD ASSY FOR UK	
52	UL8230001	1	TELEPHONE LINE CORD FOR GER	
52	UL8211001	1	TELEPHONE LINE CORD FOR UK	
52	UL8290001	1	TELEPHONE LINE CORD FOR FRA	
52	UL8384001	1	TELEPHONE LINE CORD FOR NOR	
52	UG4169001	1	TELEPHONE LINE CORD FOR CHE	
52	UL8218001	1	TELEPHONE LINE CORD FOR SWE	
53	UG4172001	1	I/F CABLE IQ-5257 FOR GER	
54	UL8019009	1	HANDSET CURLED CORD ASSY, WHITE(1255)	
55	UF9131001	1	DOCUMENT EJECTION TRAY ASSY	
56	UF8048001	1	DOCUMENT SUPPORT	
57	UF9103001	1	PAPER TRAY	
58	UL6856000	1	TRAY EXTENSION	
59	U38847001	1	SPEAKER UNIT	

To replace those marked with an asterisk(*), you need the special adjustment jig set.
 If your service center has no special adjustment jig set, you cannot handle those parts as spare parts.

REF.NO.	CODE	QTY	DESCRIPTION	REMARKS
60	UF9249001	1	DOCUMENT DUST FILM	
(61)	UL6955001	1	DUST COVER	
62	UF9267001	1	PAPER TYPE GUIDANCE LABEL	
63	UF9198001	1	CAUTION LABEL	
(64)	-----		NOT USED (MFC7000FC/MFC7200FC ONLY)	
(65)	-----		NOT USED (MFC7000FC/MFC7200FC ONLY)	
(66)	UF9311003	1	MFL CD-ROM ASSY FOR CHE/FRA/GER/UK	
(67)	UF9304001	1	OWNER'S MANUAL ASSY FOR GER (INCLUDING OPERATIONS MANUAL, SET-UP MANUAL, MFL MANUAL, REMOTE CONTROL GUIDE AND TRAY EXTENSION(REF.NO.58))	
(67)	UF9305001	1	OWNER'S MANUAL ASSY FOR UK (INCLUDING OPERATIONS MANUAL, SET-UP MANUAL, MFL MANUAL, REMOTE CONTROL GUIDE AND TRAY EXTENSION(REF.NO.58))	
(67)	UF9306001	1	OWNER'S MANUAL ASSY FOR FRA (INCLUDING OPERATIONS MANUAL, SET-UP MANUAL, MFL MANUAL, REMOTE CONTROL GUIDE, WARRANTY CARD AND TRAY EXTENSION(REF.NO.58))	
(67)	UF9308001	1	OWNER'S MANUAL ASSY FOR NOR (INCLUDING OPERATIONS MANUAL, SET-UP MANUAL, MFL MANUAL, REMOTE CONTROL GUIDE, WARRANTY CARD AND TRAY EXTENSION(REF.NO.58))	
(67)	UF9309001	1	OWNER'S MANUAL ASSY FOR CHE (INCLUDING OPERATIONS MANUAL(GERMAN), OPERATIONS MANUAL(FRENCH), SET-UP MANUAL(GERMAN), SET-UP MANUAL(FRENCH), MFL MANUAL, REMOTE CONTROL GUIDE AND TRAY EXTENSION(REF.NO.58))	
(67)	UF9328001	1	OWNER'S MANUAL ASSY FOR SWE (INCLUDING OPERATIONS MANUAL, SET-UP MANUAL, MFL MANUAL, REMOTE CONTROL GUIDE, WARRANTY CARD AND TRAY EXTENSION(REF.NO.58))	
(68)	-----		NOT USED (MFC7000FC/MFC7200FC ONLY)	
(69)	-----		NOT USED (MFC7000FC/MFC7200FC ONLY)	
(70)	-----		NOT USED (MFC7000FC/MFC7200FC ONLY)	
(71)	UE1754001	1	CARTON, BROTHER FOR CHE/NOR/SWE/UK	
(71)	UE1915001	1	CARTON, BROTHER FOR GER	
(71)	UE1916001	1	CARTON, BROTHER FOR FRA	
(72)	UE1597001	1	STYROFORM	
(73)	-----		NOT USED (MFC7200FC ONLY)	
(74)	UE1688001	1	BAG 1000X1000H (FOR MACHINE)	
(75)	UE1647001	1	PAD FOR MANUAL	
(76)	UE1648001	1	PAD FOR ACCESSORY	
(77)	UF9334001	1	POP FOR CHE/NOR/SWE/UK	
(77)	UF9336001	1	POP FOR GER	
(77)	UF9337001	1	POP FOR FRA	
(78)	ZA0310001	1	HEAD CLEANER STICK ASSY	
(79)	ZA0315001	1	HEAD NOZZLE SEAL	
(80)	ZA0316001	1	HEAD FILTER SEALS (INCLUDING 10PCS)	
(81)	-----		NOT USED (MFC7000FC/MFC7200FC ONLY)	

To replace those marked with an asterisk(*), you need the special adjustment jig set.
 If your service center has no special adjustment jig set, you cannot handle those parts as spare parts.

REF.NO.	CODE	QTY	DESCRIPTION	REMARKS
(82)	UU0456001	1	HEAD PROTECTION SHEET	
83	UF9187001	1	RAINBOW LABEL	
(84)	UF9188001	1	ADF CHANGEOVER LABEL FOR NOR/SWE/UK	
(84)	UF9297001	1	ADF CHANGEOVER LABEL FOR CHE/FRA/GER	
(85)	ZA0311001	1	GLYCEROL CLEANING FLUID 9	
(86)	ZA0312001	1	GLYCEROL CLEANING FLUID 18	
(87)	ZA0305001	1	DUMMY CARTRIDGE 9	
(88)	ZA0306001	1	DUMMY CARTRIDGE 18	
(89)	ZA0304001	1	INITIAL LIQUID ASSY (INCLUDING INITIAL LIQUID (120CC) AND SYRINGE (25CC))	
(90)	UF9258001	1	CONTRAST CHECK CHART CTC-001	
(91)	UE1687001	1	PE SHEET 560X170	
(92)	UF7590001	1	I/F FERRITE CORE ASSY	
(93)	-----		NOT USED (MFC7000FC/MFC7200FC ONLY)	
94	UF9335001	1	PFD WARNING LABEL	
95	UF9189001	1	COLOR LABEL	
(96)	ZA0333001	1	CARTRIDGES (4 COLOR X 60PCS)	



To replace those marked with an asterisk(*), you need the special adjustment jig set.

If your service center has no special adjustment jig set, you cannot handle those parts as spare parts.

1. MAIN FRAME ATTACHMENT

REF.NO.	CODE	QTY	DESCRIPTION	REMARKS
*1	UF9262001	1	RECORDING FRAME ASSY	
*1-1	UD6012001	1	SPRING, EXTENSION	
*1-2	UD6014001	1	ENCODER STRIP	
*1-3	UD6015001	1	CARRIAGE MOTOR UNIT	
*1-4	0A5300805	2	SCREW, PAN (S/P WASHER) M3X8	
*1-5	UF9192001	1	CARRIAGE ASSY	
*2	087311016	2	TAPTITE, CUP B M3X10	
*3	0A5300605	2	SCREW, PAN (S/P WASHER) M3X6	
*4	UF9208001	1	CR REINFORCEMENT L	
*5	087311016	2	TAPTITE, CUP B M3X10	
6	----		PRINT HEAD UNIT (ACCESSORY NAME:HD001)	
7	UF9032001	1	REGISTRATION ROLLER ASSY	
8	UD4310000	1	PF GEAR	
9	UF0026001	1	RESIN BEARING	
10	UF0022000	1	BUSHING	
11	UF9237001	1	REGISTRATION ROLLER FILM	
12	UF9034001	1	LF CHUTE ASSY	
*13	UF9036001	1	PAPER FEED ROLLER ASSY	
*14	UF9038001	1	PAPER FEED ROLLER GEAR R	
*15	UD6032000	1	PAPER FEED ROLLER GEAR L	
*16	UD6364001	2	SCREW, PAN M2X4	
*17	002300615	1	SCREW, PAN M3X6	
*18	UF9039001	1	BUSHING	
*19	087311016	1	TAPTITE, CUP B M3X10	
*20	048060345	1	RETAINING RING	
21	UF9151001	1	PAPER PRESSURE ROLLER ASSY	
22	0A5301205	1	SCREW, PAN (S/P WASHER) M3X12	
23	087320815	1	TAPTITE, CUP S M3X8	
*24	UF0060001	2	SHOULDER SCREW	
*25	UF9041001	1	PAPER EJECTION GEAR ASSY	
*26	UF9045001	1	BUSHING	
*27	UF9051001	1	STAR WHEEL HOLDER ASSY	
*27-1	UG6026001	1	INK SENSER PCB ASSY	
*27-2	UF9047001	1	INK SENEOR FILM	
28	UF9048001	1	PAPER WIDTH SENSER ACTUATOR	
*29	UD6191001	1	PLATEN	
30	087310615	3	TAPTITE, CUP B M3X6	
31	UG6032001	1	1ST-BIN SENSOR PCB ASSY	
32	UG6006001	1	1ST-BIN SENSOR-MAIN HARNESS	
33	087311016	1	TAPTITE, CUP B M3X10	
34	UF9049001	1	1ST-BIN SENSOR PCB HOLDER	
35	087311016	2	TAPTITE, CUP B M3X10	
36	UF9204001	1	GROUNDING PLATE, CR-LF CHUTE	
37	087320516	1	TAPTITE, CUP S M3X5	
38	Z26441001	1	PAPER FEED MOTOR	
39	UG6007001	1	PAPER FEED MOTOR HARNESS	
40	0A5300605	2	SCREW, PAN (S/P WASHER) M3X6	
*41	087311016	1	TAPTITE, CUP B M3X10	
*42	UD6043000	1	IDLE GEAR 3	
*43	UD6044000	1	IDLE GEAR 4	
*44	048080142	1	RETAINING RING	

To replace those marked with an asterisk(*), you need the special adjustment jig set.

If your service center has no special adjustment jig set, you cannot handle those parts as spare parts.

1. MAIN FRAME ATTACHMENT

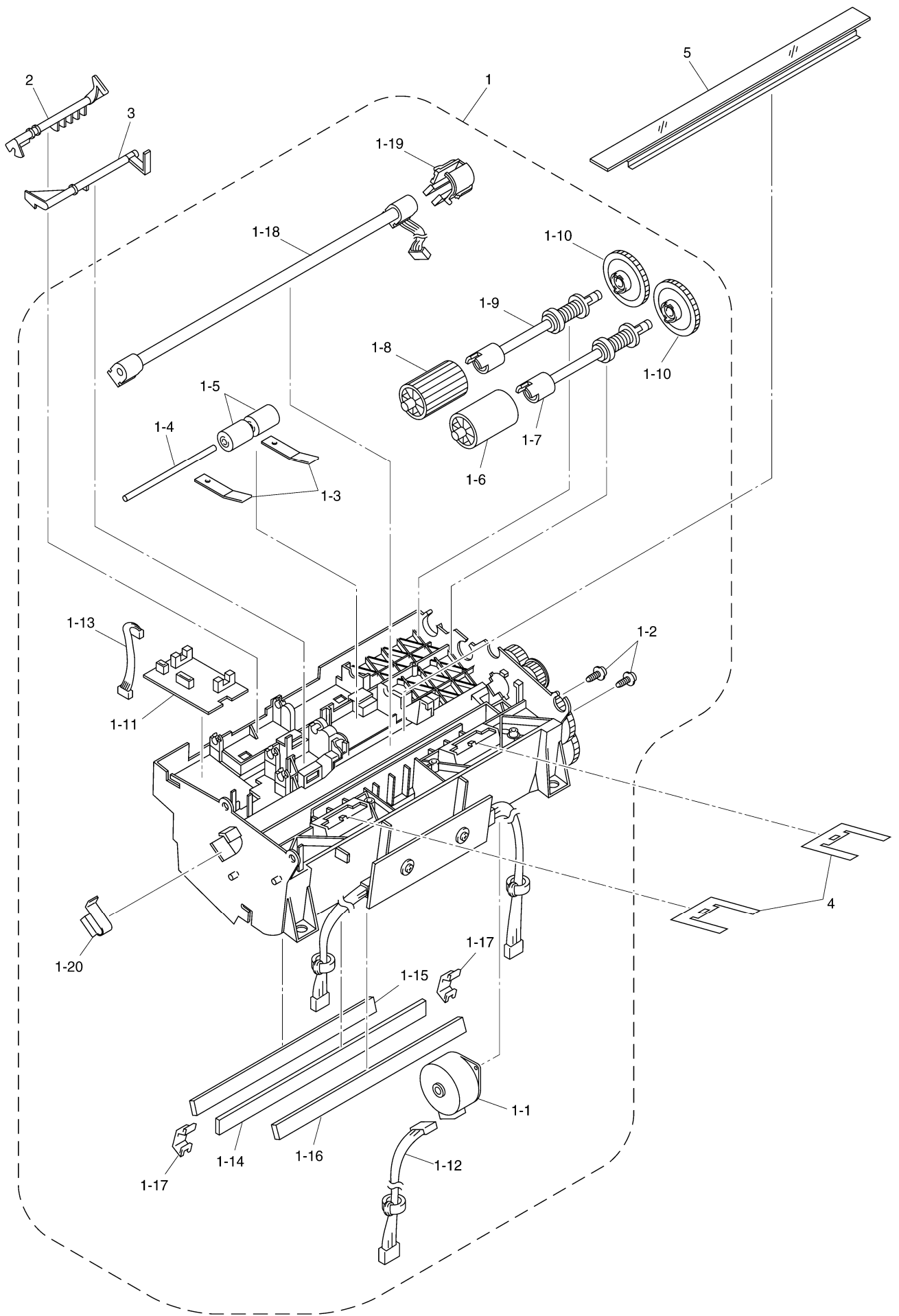
REF.NO.	CODE	QTY	DESCRIPTION	REMARKS
45	UF9060001	1	GEAR HOLER ASSY	
46	087311016	1	TAPTITE, CUP B M3X10	
47	UF9059001	1	IDLE GEAR 23	
48	UD6041000	1	IDLE GEAR 240	
49	UF9155001	1	GEOUNING PLATE, REGISTRATION ROLLER	
*50	UF9067001	1	GROUNDING PLATE, CB-LF	
*51	087311016	1	TAPTITE, CUP B M3X10	
*52	087320516	1	TAPTITE, CUP S M3X5	
53	----		NOT USED (MFC7200FC ONLY)	
54	----		NOT USED (MFC7200FC ONLY)	
55	----		NOT USED (MFC7200FC ONLY)	
56	----		NOT USED (MFC7200FC ONLY)	
57	----		NOT USED (MFC7200FC ONLY)	
58	----		NOT USED (MFC7200FC ONLY)	
59	----		NOT USED (MFC7200FC ONLY)	
*60	UF9230001	1	PURGE UNIT	
*61	0A5300605	2	SCREW, PAN (S/P WASHER) M3X6	
*62	UF9089001	1	PURGE GEAR FRAME ASSY	
*63	UD6067000	1	PURGE GEAR 1	
*64	UD6068000	1	PURGE GEAR 2	
*65	UD6069000	1	PURGE GEAR 3	
*66	UD6070001	1	SPRING, COMPRESSION	
*67	UD6190001	1	PURGE GEAR SPACER	
*68	087310615	2	TAPTITE, CUP B M3X6	
69	UF9091001	1	MAIN FRAME, WHITE(1138)	
70	UL5600001	6	RUBBER FOOT	
71	UF9099001	1	HOOK SWITCH SENSOR ACTUATOR	
72	UF9206001	1	HOOK SWITCH PCB ASSY	
73	087311016	1	TAPTITE, CUP B M3X10	
74	UF9196001	1	FLUSHING BOX	
*75	UF9105001	1	DRAIN BOX	
*76	087311016	1	TAPTITE, CUP B M3X10	
77	UF9250001	4	INK ABSORBER	
78	UD6596001	1	BOTTOM PLATE ASSY (INSTALLING IF HARNESS BOX)	
79	UL5603000	2	CARD SPACER	
80	UG6039001	1	CENTRONICS INTERFACE PCB ASSY	
81	002300615	2	SCREW, PAN M3X6	
82	UG6017001	1	INLET ASSY	
83	0A5300805	2	SCREW, PAN (S/P WASHER) M3X8	
84	UF6559001	1	SCREW, PAN (WASHER) M4X8DB	
85	T22687001	1	SNAP BAND	
86	----		NOT USED (MFC7000FC/MFC7200FC ONLY)	
87	087320516	1	TAPTITE, CUP S M3X5	
88	087311016	9	TAPTITE, CUP B M3X10	
89	----		NOT USED (MFC7200FC ONLY)	
90	UF9193001	1	SHIELD SHEET	
91	----		NOT USED (MFC7200FC ONLY)	
92	----		NOT USED (MFC7200FC ONLY)	
93	UG3188001	1	BATTERY ASSY	
*94	UF9163001	1	GROUNDING PLATE, CR-BOTTOM PLATE	
*95	087320516	2	TAPTITE, CUP S M3X5	

To replace those marked with an asterisk(*), you need the special adjustment jig set.

If your service center has no special adjustment jig set, you cannot handle those parts as spare parts.

1. MAIN FRAME ATTACHMENT

REF.NO.	CODE	QTY	DESCRIPTION	REMARKS
*96	087311016	1	TAPTITE, CUP B M3X10	
97	UG6009001	1	HOOK SWITCH HARNESS	
98	UG6013001	1	CENTRO HARNESS A	
99	U38848001	1	CENTRO HARNESS B	
100	-----		NOT USED (MFC7200FC ONLY)	
101	UF9205001	1	HARNESS SUPPORT	
102	UF9213001	1	ANTI-STATIC BRUSH	
103	UG6126011	1	MAIN PCB ASSY	
104	UG6125001	1	MASK ROM:PRINNTER-A	
105	UG6127003	1	NCU PCB ASSY FOR GER	
105	UG6128004	1	NCU PCB ASSY FOR UK	
105	UG6129005	1	NCU PCB ASSY FOR FRA	
105	UG6131007	1	NCU PCB ASSY FOR NOR/SWE	
105	UG6130010	1	NCU PCB ASSY FOR CHE	
106	U38827001	1	POWER SUPPLY PCB ASSY, 200V	
107	087320516	2	TAPTITE, CUP S M3X5	
108	UG6134001	1	POWER-MAIN HARNESS	
109	UF9229001	1	NCU SHIELD PLATE	
110	087311016	2	TAPTITE, CUP B M3X10	
111	UF9254001	1	FILM 1, PAPER EJECTION GEAR	
112	UF9244001	2	FILM 2, PAPER EJECTION GEAR	
113	-----		BLACK CARTRIDGE (ACCESSORY NAME:LC01BK)	
113	-----		CYAN CARTRIDGE (ACCESSORY NAME:LC01C)	
113	-----		YELLOW CARTRIDGE (ACCESSORY NAME:LC01Y)	
113	-----		MAGENT CARTRIDGE (ACCESSORY NAME:LC01M)	
114	UF9268001	1	CAUTION LABEL FOR CHE/FRA/GER/NOR/SWE	
115	U38738000	3	FERRITE CORE	
116	UD6598001	1	FLAT CABLE SPACER	
117	UD6597001	1	FLAT CABLE CLAMP	
118	UD6646001	1	FCC GUIDE FILM	
119	UD6605001	2	PAPER EJECTION GUIDE	
120	UD6595000	1	IF HARNESS BOX COVER	
121	UD6593001	1	FFC HARNESS SPACER	
122	UF5745000	1	MJ COVER, EXT FOR FRA/GER/SWE/UK	



To replace those marked with an asterisk(*), you need the special adjustment jig set.

If your service center has no special adjustment jig set, you cannot handle those parts as spare parts.

2. SCANNER FRAME ATTACHMENT

REF.NO.	CODE	QTY	DESCRIPTION	REMARKS
1	UD6638001	1	SCANNER FRAME ASSY	
1-1	Z26446001	1	SCANNER MOTOR	
1-2	0A5300805	2	SCREW, PAN (S/P WASHER) M3X8	
1-3	UF9007001	2	PRESSURE ROLLER SPRING	
1-4	UF9008001	1	PRESSURE ROLLER SHAFT	
1-5	UF9009001	2	PRESSURE ROLLER	
1-6	UF4366001	1	SEPARATION ROLLER	
1-7	UF7016001	1	SEPARATION ROLLER SHAFT ASSY	
1-8	UF7015001	1	DOCUMENT TAKE-IN ROLLER	
1-9	UF7019001	1	DOCUMENT TAKE-IN ROLLER SHAFT ASSY	
1-10	UL5632000	2	GEAR, 43	
1-11	UG6019001	1	DOCUMENT SENSOR PCB ASSY	
1-12	UG6005001	1	SCANNER MOTOR HARNESS	
1-13	UG6001001	1	DOCUMENT SENSOR HARNESS	
1-14	UF9019001	1	MIRROR C	
1-15	UF9018001	1	MIRROR B	
1-16	UF9017001	1	MIRROR A	
1-17	UF4431001	2	SPRING PLATE, MIRROR	
1-18	UF9020001	1	LAMP	
1-19	UF9021001	1	LAMP HOLDER	
1-20	UF9022001	1	LAMP LEAF SPRING	
2	UF9024001	1	DOCUMENT FRONT SENSOR ACTUATOR	
3	UF9025001	1	DOCUMENT REAR SENSOR ACTUATOR	
4	UF7028001	2	EJECTION SPRING	
5	UF9265001	1	COVER GLASS ASSY	

brother®