



FACSIMILE EQUIPMENT

PARTS REFERENCE LIST

MODEL: MFC9160 / MFC9180

**(For Germany / United Kingdom / France /
Norway / Belgium / Netherlands /
Switzerland / Ireland / Finland / Denmark /
Austria / Spain / Italy / Sweden /
Euro Generic)**

© Copyright Brother 2001

All rights reserved

No part of this publication may be reproduced in any form
or by any means without permission in writing from the
publisher.

Specifications are subject to change without prior notice.

NOTES FOR USING THIS PARTS REFERENCE LIST

1. In the case of ordering parts, it needs mentioning the following items:

- (1) Code
- (2) Q' ty
- (3) Description

Note: No orders without Parts Code or Tool No. can be accepted.

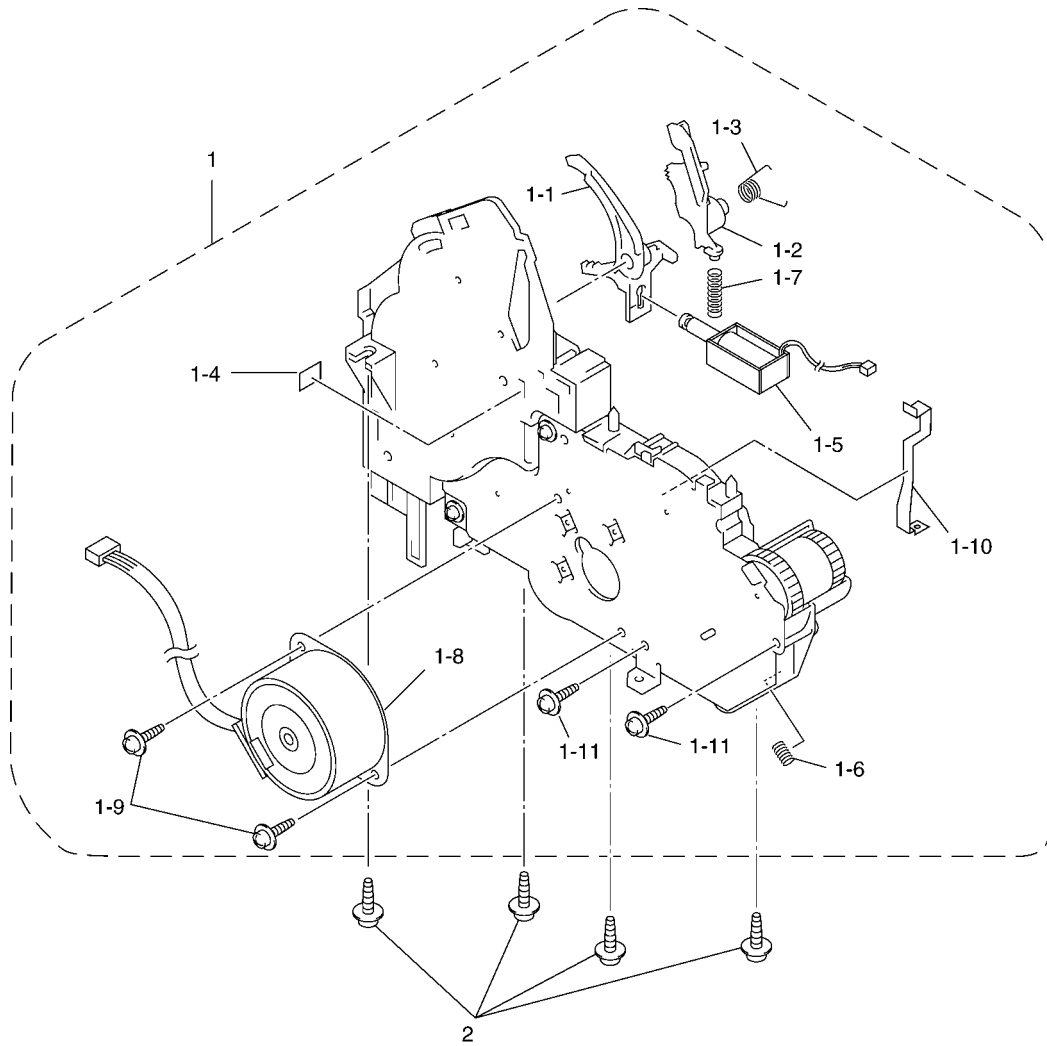
[Example]

REF.NO.	(1) CODE	(2) Q' TY	(3) DESCRIPTION	RECOMMEND	REMARKS

2. Parts change will be informed by the technical information.

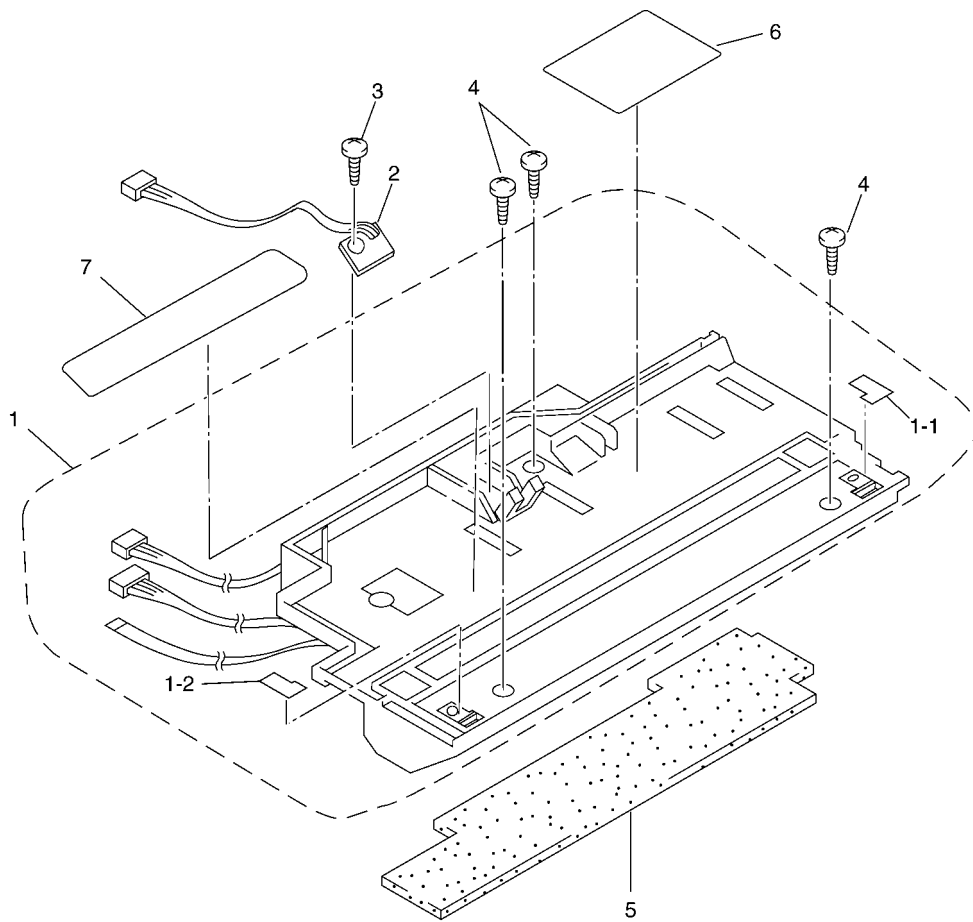
COUNTRIES

GERMANY ---- GER
UNITED KINGDOM ---- UK
FRANCE ---- FRA
NORWAY ---- NOR
BELGIUM ---- BEL
NETHERLANDS ---- NLD
SWITZERLAND ---- CHE
IRELAND ---- IRE
FINLAND ---- FIN
DENMARK ---- DEN
AUSTRIA ---- AUS
SPAIN ---- SPA
ITALY ---- ITA
SWEDEN ---- SWE
EURO GENERIC ---- GNR



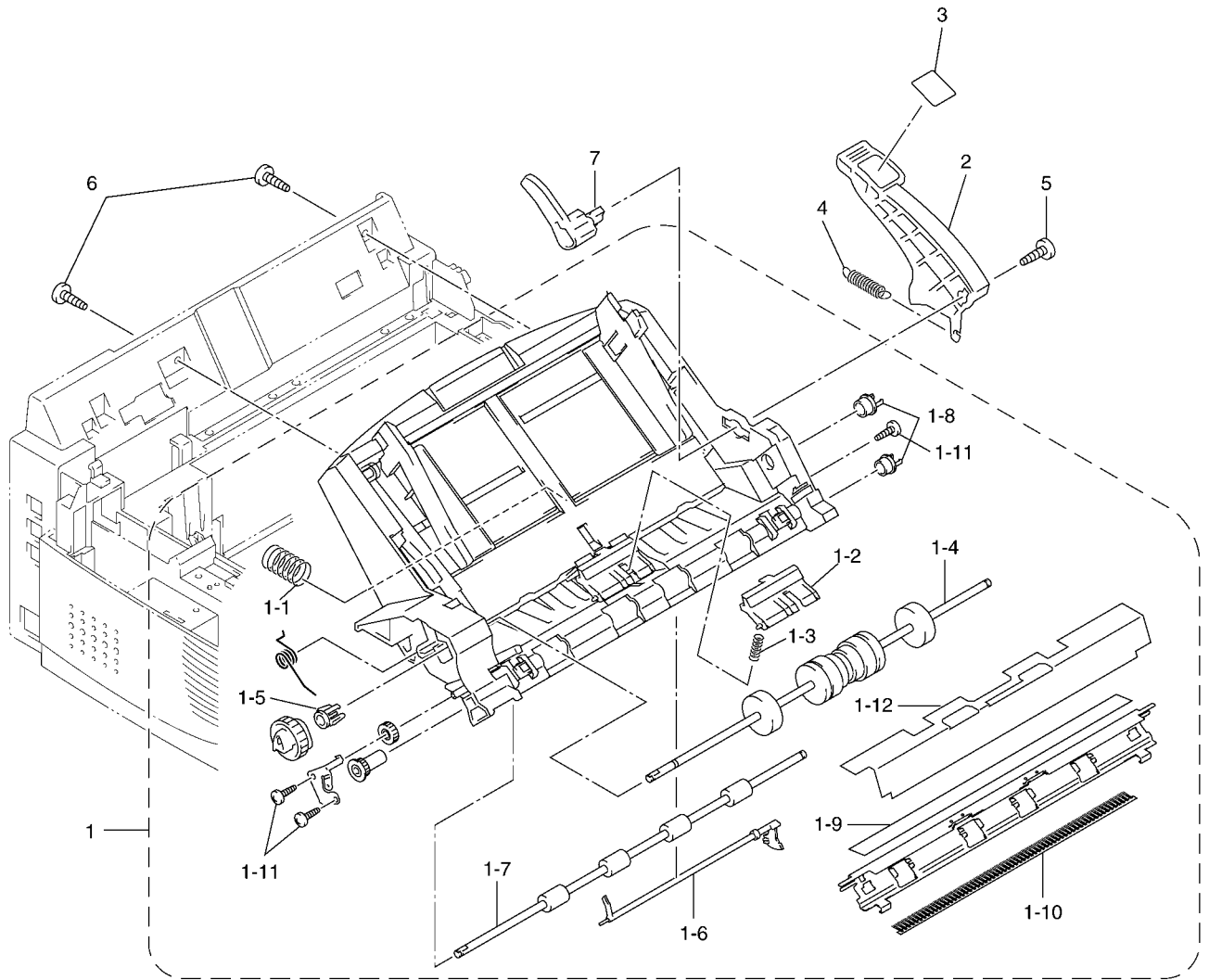
LIST1(PAPER DRIVER)

REF.NO.	CODE	Q'TY	DESCRIPTION	RECOMMEND	REMARKS
1	LE1793001	1	GEAR DRIVE UNIT		
1-1	UL6573000	1	SOLENOID LEVER		
1-2	UL6574000	1	CLUTCH RELEASE LEVER		
1-3	UL6575001	1	SOLENOID SPRING		
1-4	LE7280001	1	SOLENOID LEVER SHEET		
1-5	LE7015001	1	PAPER FEED SOLENOID ASSY		
1-6	LE7419001	1	CLUTCH GEAR SPRING		
1-7	UL6579001	1	CLUTCH HOLDER SPRING		
1-8	LE1806001	1	MAIN MOTOR ASSY		
1-9	087320616	2	TAPTITE, CUP S M3X6		
1-10	LE1807001	1	ELECTRODE		
1-11	087311016	2	TAPTITE, CUP B M3X10		
2	087411415	4	TAPTITE, CUP B M4X14		
(3)	UG3005000	1	FERRITE CORE, 16X8X10		



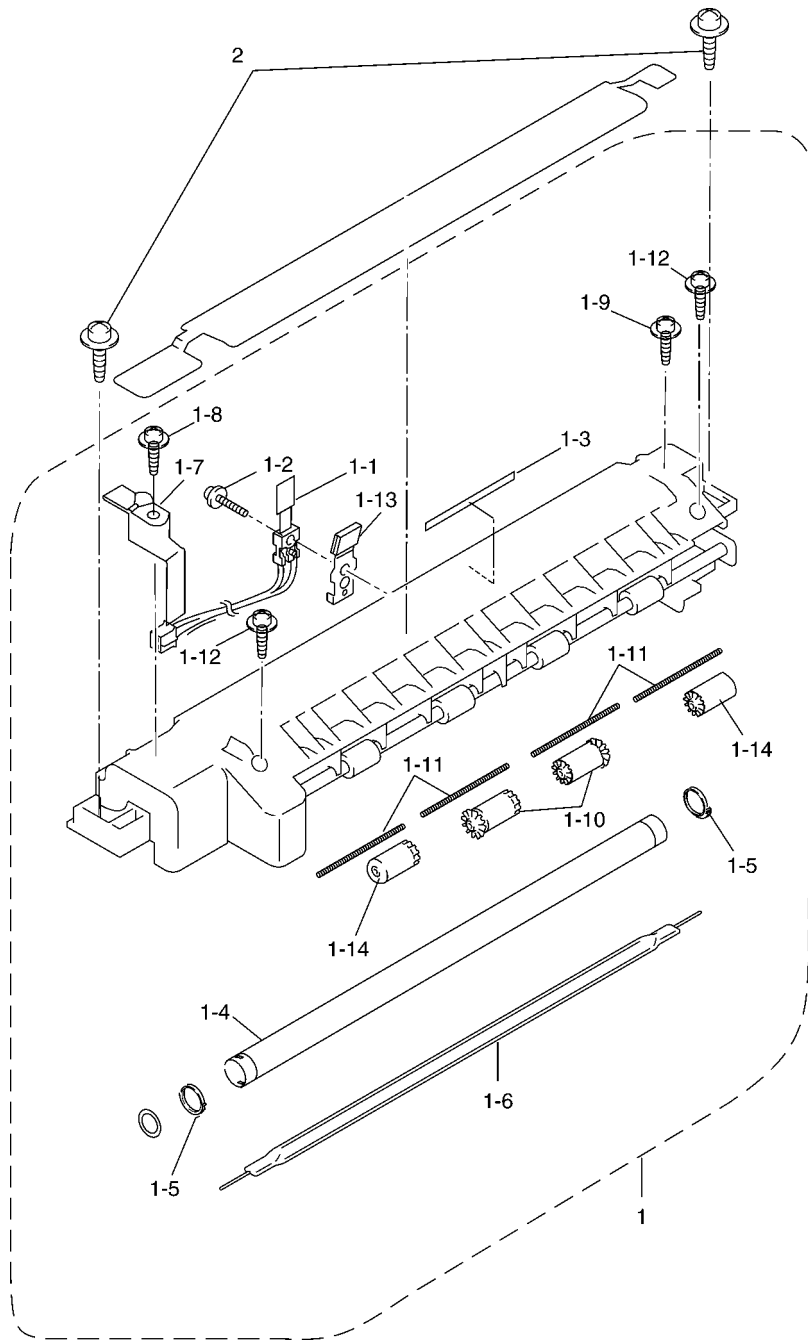
LIST2(LASER UNIT)

REF.NO.	CODE	Q'TY	DESCRIPTION	RECOMMEND	REMARKS
1	LE7197001	1	LASER UNIT(SP)	1	
1-1	UL6614001	1	SCANNER SHEET 1		
1-2	UL6615001	1	SCANNER SHEET 2		
2	LG3162001	1	TONER SENSOR PCB ASSY		
3	087310815	1	TAPTITE, CUP B M3X8		
4	085411215	3	SCREW, BIND B TITE 4X12		
5	UU7043001	1	SCANNER SEAL SPONGE		
6	UL6740001	1	LASER CAUTION LABEL		
7	UL6741001	1	TONER CAUTION LABEL		
(8)	UG3005000	1	FERRITE CORE, 16X8X10		



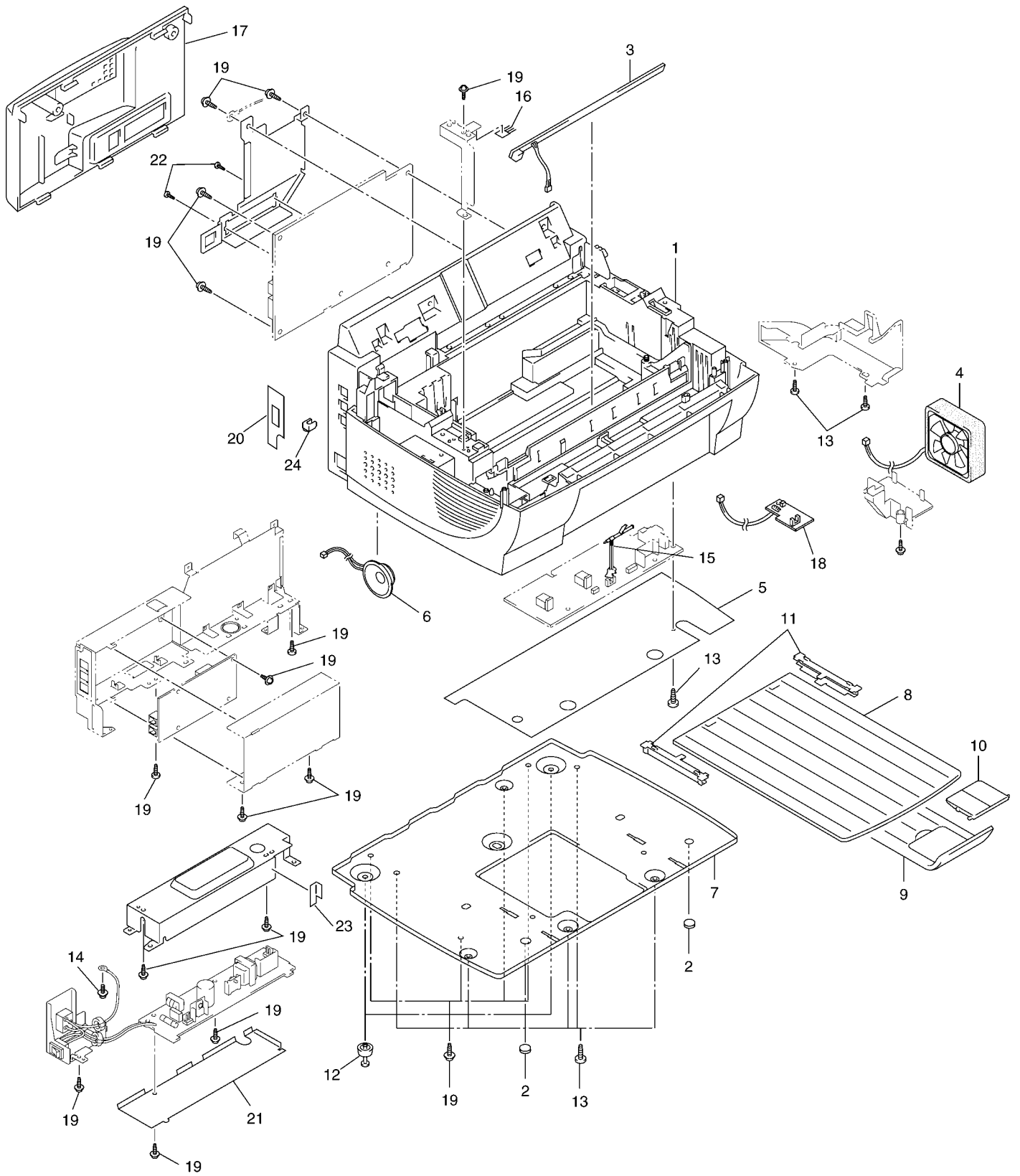
LIST3(PAPER FEED)

REF.NO.	CODE	Q'TY	DESCRIPTION	RECOMMEND	REMARKS
1	LE1833001	1	ASF ASSY, GRAY(1495)		
1-1	LE1844001	1	PLATE SPRING		
1-2	LE1943001	1	SEPARATION PAD ASSY		
1-3	UL5184001	1	SPRING		
1-4	LE1945001	1	PAPER PULL-IN ROLLER		
1-5	UL6642000	1	PAWLED BUSHING L		
1-6	LE1845001	1	REGISTRATION SENSOR ACTUATOR		
1-7	UL6654001	1	PAPER FEED ROLLER		
1-8	UF0026001	2	PAWLED BUSHING R		
1-9	UL6659001	1	CHUTE FILM		
1-10	LJ5219001	1	ANTI-STATIC BRUSH		
1-11	U04887001	3	TAPTITE, BIND B M2.6X8		
1-12	LE7019001	1	BLACK FILM		
2	LE7047001	1	RELEASE LEVER, PURPLE(6255)		
3	LE7137001	1	RELEASE LEVER LABEL		
4	LE1835001	1	RELEASE LEVER SPRING		
5	085411015	1	TAPTITE, BIND B M4X10		
6	085411215	2	TAPTITE, BIND B M4X12		
7	LE1837001	1	RELEASE CAM		



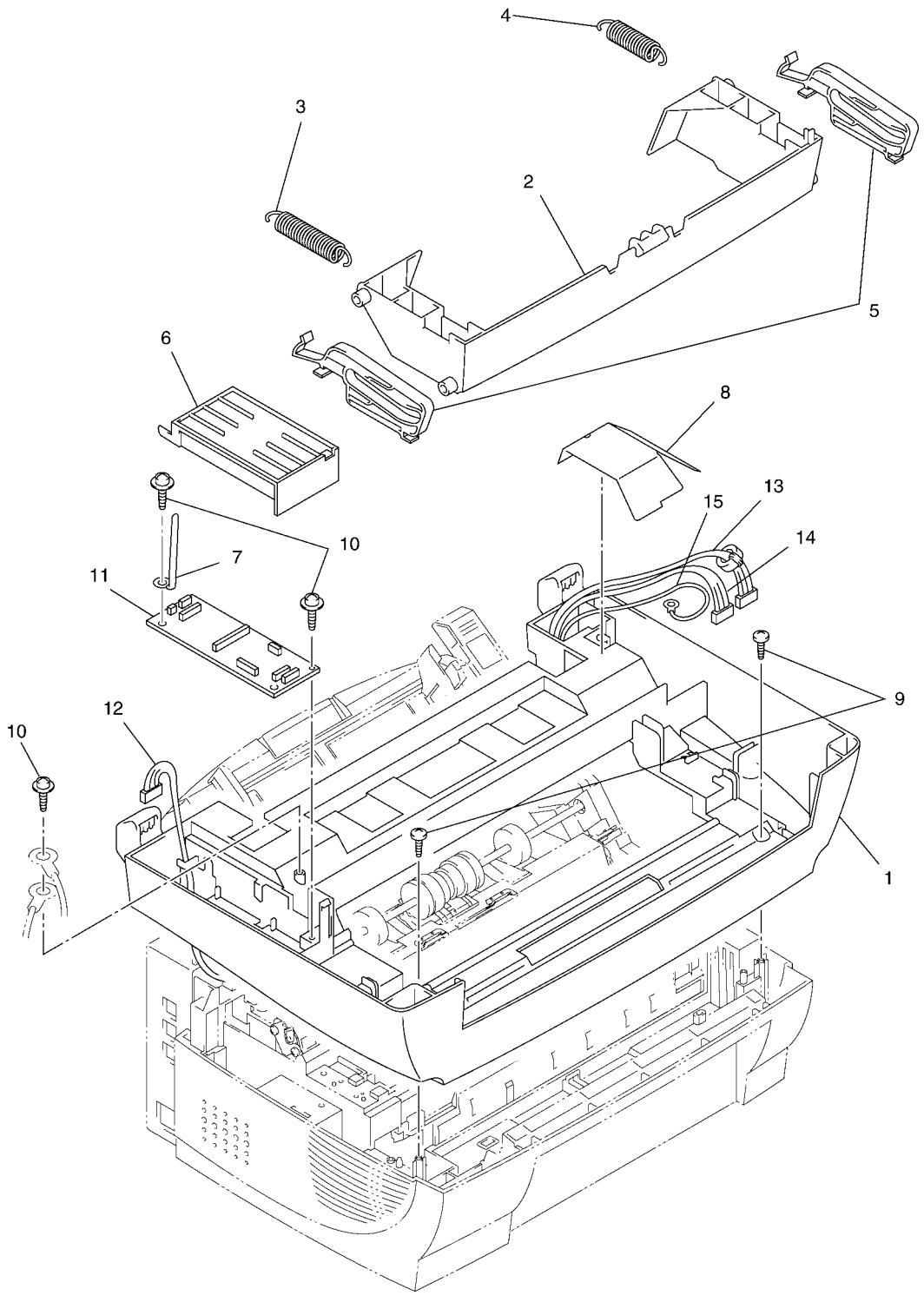
LIST4(FIXING UNIT)

REF.NO.	CODE	Q'TY	DESCRIPTION	RECOMMEND	REMARKS
1	LE7343001	1	HEAT FIXING UNIT 230 ASSY(SP)	1	
1-1	LE1849001	1	THERMISTER ASSY		
1-2	087311415	1	TAPTITE, CUP B M3X14		
1-3	LE7302001	1	HEATER ROLLER CLEANER FELT		
1-4	LE1850001	1	HEATER ROLLER		
1-5	UH3178000	2	HEATER ROLLER SHAFT HOLDER		
1-6	LE7133001	1	TUNGSTEN HOLOGEN LAMP, 230V		
1-7	UH3182000	1	LOCK PLATE		
1-8	083311017	1	TAPTITE, PAN B M3X10		
1-9	LJ4820001	1	SCREW, PAN(WASHER) M2.6X6DA		
1-10	UH3323001	2	EJECT PINCH ROLLER ASSY		
1-11	UL6682001	4	PINCH SPRING		
1-12	085311216	2	TAPTITE, BIND B M3X12		
1-13	LE7043001	1	CLEANER ASSY		
1-14	UH3324001	2	EJECTION PRESSURE ROLLER		
2	087411616	2	TAPTITE, CUP B M4X16		



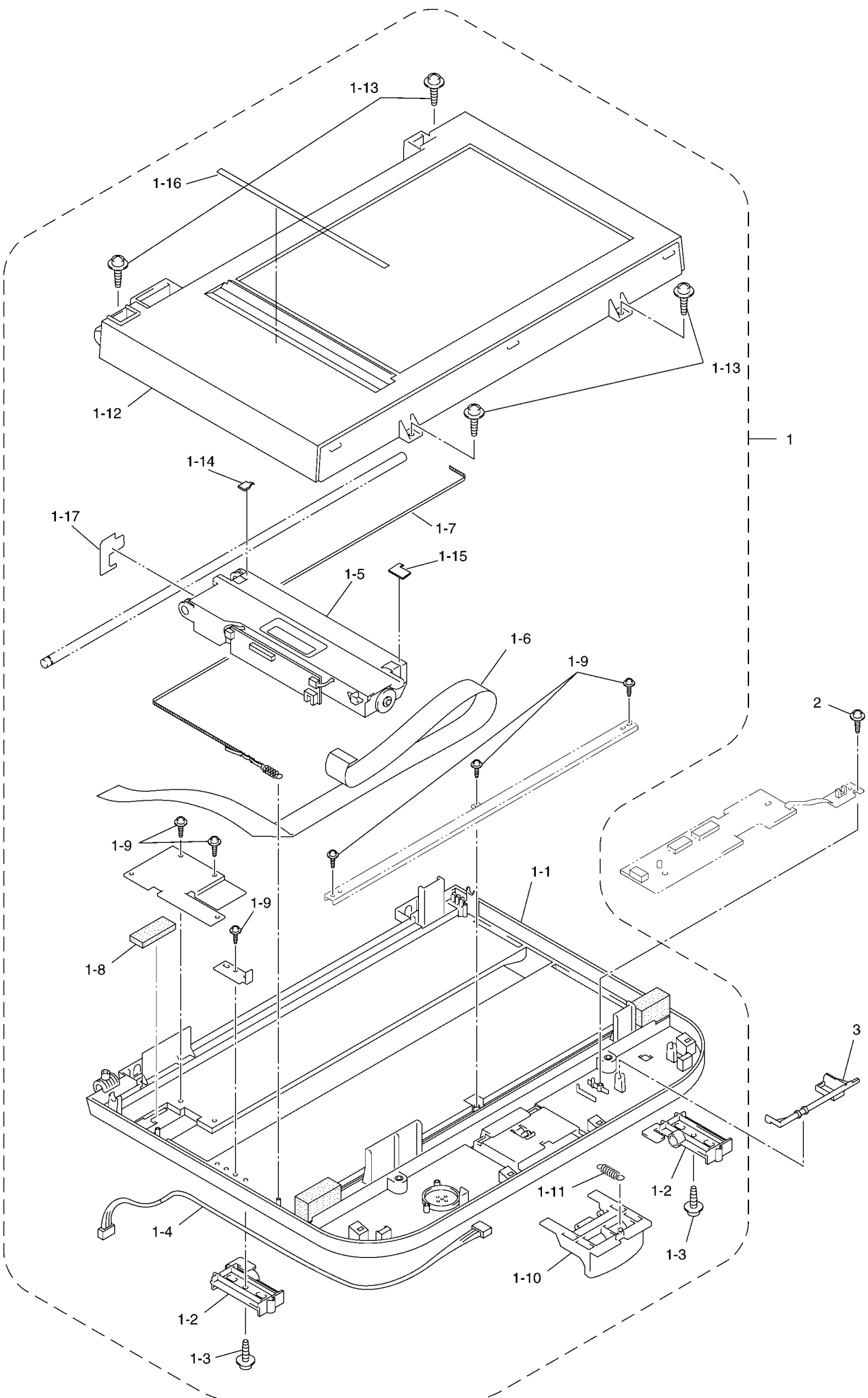
LIST5(MAIN COVER)

REF.NO.	CODE	Q'TY	DESCRIPTION	RECOMMEND	REMARKS
1	LE1786001	1	MAIN COVER, GRAY(1495)		
2	LE7299001	2	RUBBER FOOT (FRONT)		
3	LE1863001	1	EL (ERASER LAMP) BOARD		
4	LE7059001	1	FAN		
5	LE1865001	1	HIGH-VOLTAGE INSULATOR SHEET		
6	LG3166001	1	SPEAKER		
7	LE1868001	1	BOTTOM PLATE		
8	LE1870001	1	PAPER TRAY		
9	LE1871001	1	PAPER SUB TRAY		
10	LJ5599001	1	PAPER STOPPER		
11	LE1872001	2	PAPER TRAY HOLDER		
12	UH2208001	2	RUBBER FOOT (REAR)		
13	085411215	9	SCREW, BIND B TITE 4X12		
14	UF6559001	1	SCREW, PAN (WASHER) M4X8DB		
15	LE1874001	1	PAPER EJECTION SENSOR ACTUATOR		
16	LE1876001	1	ANTI-STATIC BRUSH		
17	LE1877001	1	BOARD ACCESS COVER		
18	LG3279001	1	MAIN-FAN PCB ASSY		
19	087320616	18	TAPTITE, CUP S M3X6		
20	LE1253001	1	MODULAR JACK FILM, MFC9180		
20	LE1435001	1	MODULAR JACK FILM, MFC9160		
21	LE1881001	1	LOW-VOLTAGE INSULATOR SHEET		
22	083321216	2	TAPTITE, PAN S M3X12		
23	LE7142001	1	PS SHIELD FILM		
24	UF5745000	1	MJ COVER, MFC9180		
(25)	LE7883001	1	GROUNDING SPRING		



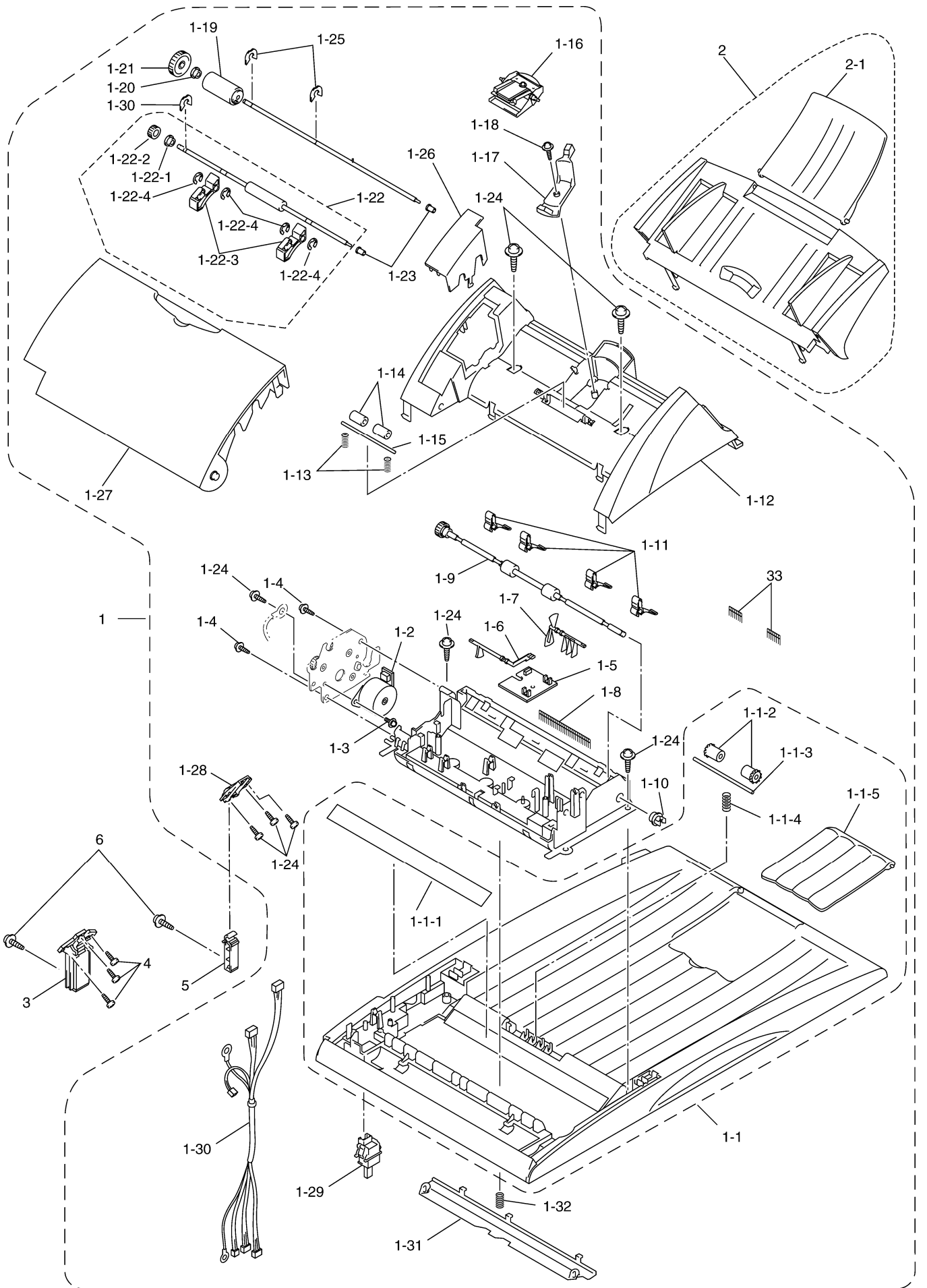
LIST6(JOINT COVER)

REF.NO.	CODE	Q'TY	DESCRIPTION	RECOMMEND	REMARKS
1	LE1788001	1	SCANNER MOUNT		
2	LE1992001	1	FRONT COVER		
3	LE7421001	1	SCANNER SPRING L		
4	LE7422001	1	SCANNER SPRING R		
5	LE1994001	2	FRONT COVER GUIDE		
6	LE7026001	1	RELAY PCB COVER		
7	LE7660001	1	COATING CLIP		
8	LE7173001	1	HARNESS COVER		
9	085411216	2	TAPTITE, BIND B M4X12		
10	087311016	5	TAPTITE, CUP B M3X10		
11	LG3266001	1	RELAY PCB ASSY	1	
12	LG3272001	1	RELAY (CCD/SEN) HARNESS		
13	LG3273001	1	RELAY (ADF) HARNESS		
14	LG3699001	1	RELAY (CCD/PANEL) HARNESS		
15	LG3275001	1	GROUNDING WIRE		
(16)	UG4641001	1	FERRITE CORE, NF-80		



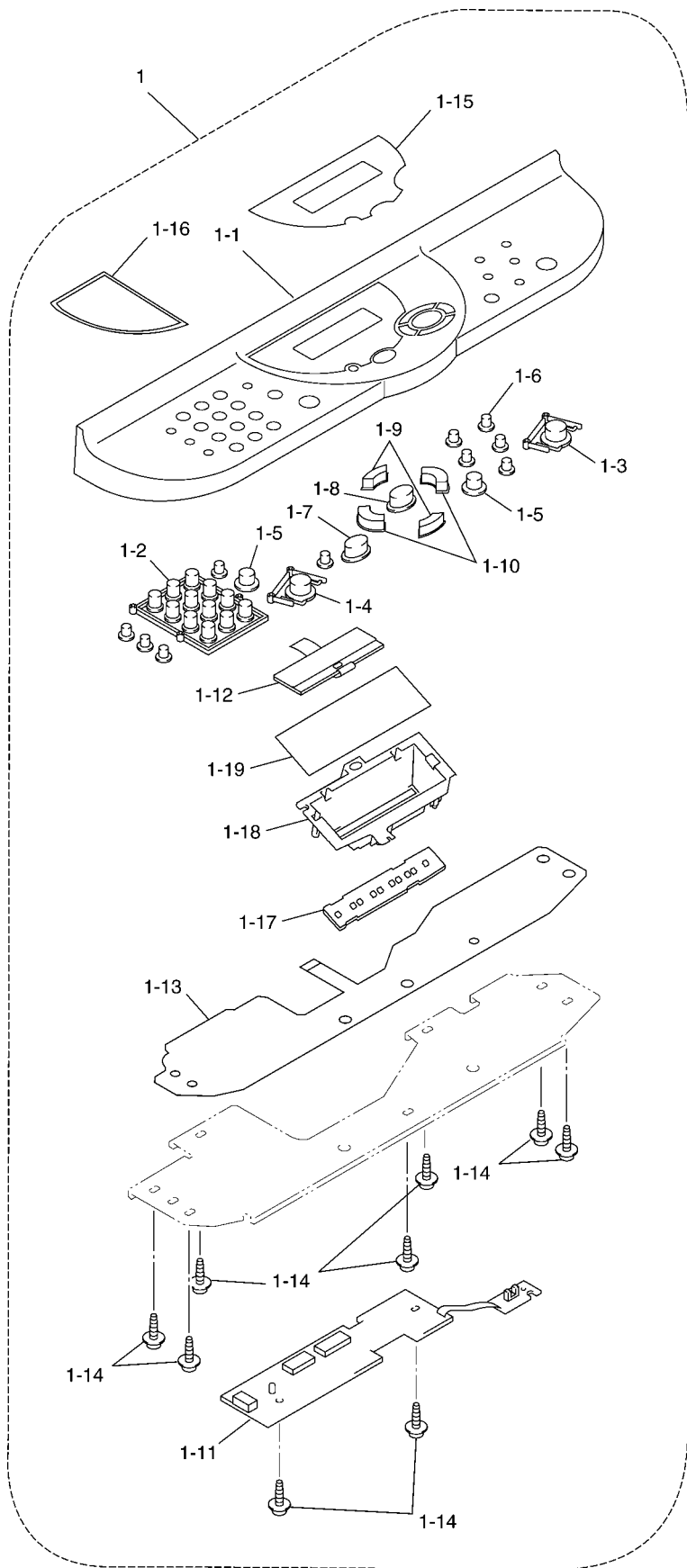
LIST7(DOCUMENT SCANNER)

REF.NO.	CODE	Q'TY	DESCRIPTION	RECOMMEND	REMARKS
1	LE6466001	1	SCANNER UNIT (SP)	1	
1-1	LE1789001	1	SCANNER BASE, GRAY(1495)		
1-2	LE6253001	2	FRONT COVER CONNECTOR		
1-3	087411216	2	TAPTITE, CUP B M4X12		
1-4	LG3233001	1	PANEL HARNESS		
1-5	LE6256001	1	CCD UNIT		
1-6	LE6351001	1	CCD FLAT CABLE		
1-7	LE6353001	1	CCD DRIVE BELT ASSY		
1-8	LE6260001	1	SPONGE		
1-9	087310816	6	TAPTITE, CUP B M3X8		
1-10	LE6263001	1	SCANNER OPEN LEVER, PURPLE(6255)		
1-11	LE6264001	1	LEVER SPRING		
1-12	LE6267001	1	SCANNER TOP COVER ASSY		
1-13	087411216	4	TAPTITE, CUP B M4X12		
1-14	LE7936001	1	CCD PROTECTOR R		
1-15	LE7937001	1	CCD PROTECTOR F		
1-16	LE6355001	1	DOCUMENT SET LABEL		
2	087310815	1	TAPTITE, CUP B M3X8		
3	LE2095001	1	SCANNER OPEN SENSOR ACTUATOR		



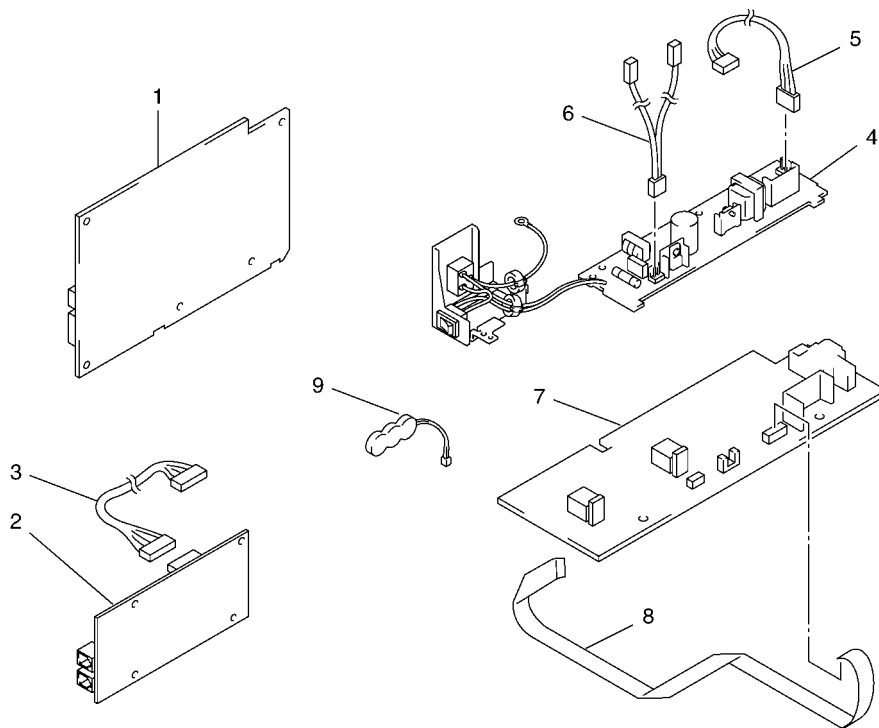
LIST8(ADF)

REF.NO.	CODE	Q'TY	DESCRIPTION	RECOMMEND	REMARKS
1	LE6201001	1	ADF/DOCUMENT TRAY ASSY	1	
1-1	LE6202001	1	DOCUMENT TRAY SUB ASSY		
1-1-1	LE6205001	1	CHUTE FILM		
1-1-2	UL6244002	2	PINCH ROLLER		
1-1-3	LE2471001	1	PINCH ROLLER SHAFT		
1-1-4	LE6206001	1	PINCH ROLLER SPRING		
1-1-5	LE6207001	1	DOCUMENT STOPPER		
1-2	LE6214001	1	ADF MOTOR		
1-3	0A4300605	1	SCREW, PAN WASHER M3X6		
1-4	087310815	2	TAPTITE, CUP B M3X8		
1-5	LG3216001	1	DOCUMENT SENSOR PCB ASSY		
1-6	LE6219001	1	DOCUMENT REAR SENSOR ACTUATOR		
1-7	LE6220001	1	DOCUMENT FRONT SENSOR ACTUATOR		
1-8	LE6221001	1	ANTI-STATIC BRUSH		
1-9	LE6222001	1	DOCUMENT EJECTION ROLLER ASSY		
1-10	UU1290001	1	PAWLED BUSHING		
1-11	LE6334001	4	DOCUMENT GUIDE CLIP		
1-12	LE6226001	1	UPPER ADF CHUTE		
1-13	LE2472001	2	PRESSURE ROLLER SPRING		
1-14	UF9009001	2	PRESSURE ROLLER		
1-15	LE2471001	1	PRESSURE ROLLER SHAFT		
1-16	LE6345001	1	SEPARATION RUBBER UNIT		
1-17	LE6330001	1	ADF THICKNESS ADJUSTER		
1-18	UF5034001	1	TAPTITE, B M3X6		
1-19	LE2037001	1	SEPARATION ROLLER		
1-20	LE6494001	1	BUSHING		
1-21	LE6230001	1	SEPARATION ROLLER GEAR		
1-22	LE6233001	1	DOCUMENT FEED ROLLER ASSY		
1-22-1	LE6494001	1	BUSHING		
1-22-2	LE6495001	1	DOCUMENT FEED ROLLER GEAR		
1-22-3	LE6492001	2	DOCUMENT FEED PAPER CHUTE		
1-22-4	048050346	4	RETAINING RING		
1-23	UF9949001	2	BUSHING S (SEPARATION ROLLER, FEED ROLLER)		
1-24	087311016	8	TAPTITE, CUP B M3X10		
1-25	LE2537001	2	PLASTIC RETAINING RING		
1-26	LE6236001	1	GEAR COVER, GRAY(1495)		
1-27	LE6237001	1	ADF COVER, GRAY(1495)		
1-28	LE6245001	1	HINGE BASE R		
1-29	LG3218001	1	DOCUMENT TRAY OPEN SENSOR		
1-30	LG3219001	1	ADF MOTOR SENSOR HARNESS ASSY		
1-31	LE6215001	1	DOCUMENT PRESSURE BAR		
1-32	LE6218001	1	SPRING		
1-33	LE6609001	2	ANTI-STATIC BRUSH S		
2	LE6246001	1	DOCUMENT GUIDE BASE		
2-1	LE6250001	1	DOCUMENT SUPPORT, CLEAR PURPLE(6342)		
3	LE6238001	1	HINGE L		
4	087311016	3	TAPTITE, CUP B M3X10		
5	LE6244001	1	HINGE ARM		
6	085411215	2	SCREW, BIND B M4X12		



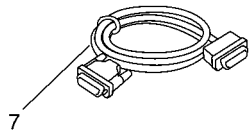
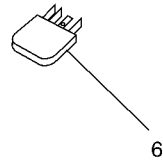
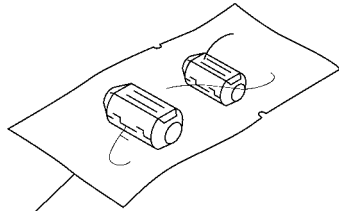
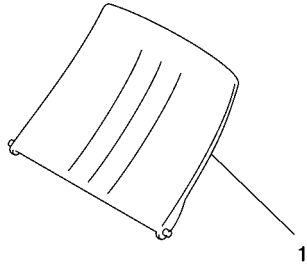
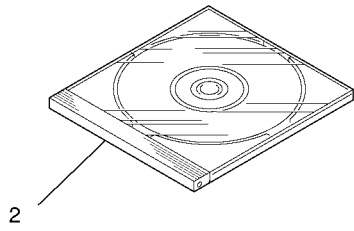
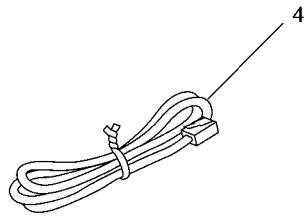
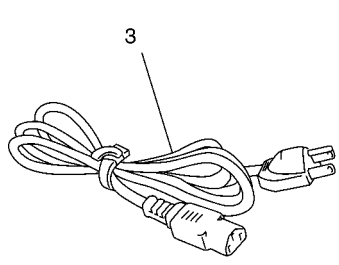
LIST9(CONTROL PANEL)

REF.NO.	CODE	Q'TY	DESCRIPTION	RECOMMEND	REMARKS
1	LE7384001	1	CONTROL PANEL ASSY, MFC9160 FOR GER	1	
1	LE7352001	1	CONTROL PANEL ASSY, MFC9180 FOR GER/AUS	1	
1	LE7396001	1	CONTROL PANEL ASSY, MFC9160 FOR UK/BEL/CHE	1	
1	LE7372001	1	CONTROL PANEL ASSY, MFC9160 FOR UK/BEL/CHE/IRE/GNR	1	
1	LE7403001	1	CONTROL PANEL ASSY, MFC9160 FOR FRA	1	
1	LE7378001	1	CONTROL PANEL ASSY, MFC9180 FOR FRA	1	
1	LE7804001	1	CONTROL PANEL ASSY, MFC9160 FOR NOR	1	
1	LE7720001	1	CONTROL PANEL ASSY, MFC9180 FOR NOR	1	
1	LE7819001	1	CONTROL PANEL ASSY, MFC9160 FOR NLD	1	
1	LE7732001	1	CONTROL PANEL ASSY, MFC9180 FOR NLD	1	
1	LE7743001	1	CONTROL PANEL ASSY, MFC9180 FOR FIN	1	
1	LE7826001	1	CONTROL PANEL ASSY, MFC9160 FOR DEN	1	
1	LE7748001	1	CONTROL PANEL ASSY, MFC9180 FOR DEN	1	
1	LE7831001	1	CONTROL PANEL ASSY, MFC9160 FOR SPA	1	
1	LE7754001	1	CONTROL PANEL ASSY, MFC9180 FOR SPA	1	
1	LE7836001	1	CONTROL PANEL ASSY, MFC9160 FOR ITA	1	
1	LE7759001	1	CONTROL PANEL ASSY, MFC9180 FOR ITA	1	
1	LE7841001	1	CONTROL PANEL ASSY, MFC9160 FOR SWE	1	
1	LE7764001	1	CONTROL PANEL ASSY, MFC9180 FOR SWE	1	
1-1	LE7178001	1	CONTROL PANEL, MFC9160 FOR GER		
1-1	LE7175001	1	CONTROL PANEL, MFC9180 FOR GER/AUS		
1-1	LE7179001	1	CONTROL PANEL, MFC9160 FOR UK/BEL/CHE		
1-1	LE7176001	1	CONTROL PANEL, MFC9180 FOR UK/BEL/CHE/IRE/GNR		
1-1	LE7180001	1	CONTROL PANEL, MFC9160 FOR FRA		
1-1	LE7177001	1	CONTROL PANEL, MFC9180 FOR FRA		
1-1	LE7805001	1	CONTROL PANEL, MFC9160 FOR NOR		
1-1	LE7721001	1	CONTROL PANEL, MFC9180 FOR NOR		
1-1	LE7820001	1	CONTROL PANEL, MFC9160 FOR NLD		
1-1	LE7733001	1	CONTROL PANEL, MFC9180 FOR NLD		
1-1	LE7744001	1	CONTROL PANEL, MFC9180 FOR FIN		
1-1	LE7827001	1	CONTROL PANEL, MFC9160 FOR DEN		
1-1	LE7749001	1	CONTROL PANEL, MFC9180 FOR DEN		
1-1	LE7832001	1	CONTROL PANEL, MFC9160 FOR SPA		
1-1	LE7755001	1	CONTROL PANEL, MFC9180 FOR SPA		
1-1	LE7837001	1	CONTROL PANEL, MFC9160 FOR ITA		
1-1	LE7760001	1	CONTROL PANEL, MFC9180 FOR ITA		
1-1	LE7842001	1	CONTROL PANEL, MFC9160 FOR SWE		
1-1	LE7765001	1	CONTROL PANEL, MFC9180 FOR SWE		
1-2	LJ4284001	1	KEY, TEN, GRAY(1495), MFC9160		
1-2	LE3431001	1	KEY, TEN, GRAY(1495), MFC9180		
1-3	LJ4285001	1	KEY, COPY, GREEN(5159)		
1-4	LJ4285002	1	KEY, START, GRAY(1495), MFC9160		
1-4	LJ4285004	1	KEY, START, PURPLE(6255), MFC9180		
1-5	LE6171001	2	KEY, CYLINDER9.5, GRAY(1495)		
1-6	LE7276001	7	KEY, CYLINDER 6, GRAY(1495), MFC9160		
1-6	LE7276001	10	KEY, CYLINDER 6, GRAY(1495), MFC9180		
1-7	LE6170002	1	KEY, STOP, PINK(2205)		
1-8	LE6350001	1	KEY, MENU FOR GER/AUS <GERMAN>		
1-8	LE6079001	1	KEY, MENU FOR COUNTRIES EXCEPT GER/AUS <ENGLISH>		
1-9	LE6168001	2	KEY, CURSOR L, PURPLE(6255)		
1-10	LE6169001	2	KEY, CURSOR S, PURPLE(6255)		
1-11	LG3445001	1	CONTROL PANEL PCB ASSY, MFC9160/MFC9180		
1-12	LJ8529001	1	LCD, MFC9160/MFC9180		
1-13	LG3230001	1	FPC KEY		
1-14	087310615	9	TAPTITE, CUP B M3X6		
1-15	LE7182001	1	LCD SHEET, MFC9160	1	
1-15	LE7181001	1	LCD SHEET, MFC9180	1	
1-16	LE7279001	1	LOGO PLATE, MFC9160		
1-17	LG3446001	1	BACK LIGHT PCB, MFC9160/MFC9180		
1-18	LE7353001	1	BACK LIGHT HOLDER, MFC9160/MFC9180		
1-19	LE7354001	1	BACK LIGHT FILM, MFC9160/MFC9180		
2	087311216	6	TAPTITE, CUP B M3X12		



LIST10(PCB)

REF.NO.	CODE	Q'TY	DESCRIPTION	RECOMMEND	REMARKS
1	LG3444001	1	MAIN PCB ASSY, MFC9160	1	
1	LG3442001	1	MAIN PCB ASSY, MFC9180	1	
2	LG3490031	1	NCU PCB ASSY, MFC9180 FOR GER/CHE	1	
2	LG3490032	1	NCU PCB ASSY, MFC9180	1	
2	LG2810014	1	FOR FRA/BEL/NLD/IRE/AUS/SPA/ITA NCU PCB ASSY, MFC9180	1	
3	LG3491001	1	FOR UK/NOR/FIN/DEN/SWE/GNR NCU HARNESS, MFC9180		
4	LG3481001	1	LOW-VOLTAGE POWER SUPPLY PCB ASSY, MFC9160/MFC9180	1	
5	LG3195001	1	LOW-VOLTAGE POWER HARNESS		
6	LG3196001	1	HEATER HARNESS		
7	LG3197001	1	HIGH-VOLTAGE POWER SUPPLY PCB ASSY	1	
8	LG3198001	1	HIGH-VOLTAGE POWER FLAT CABLE		
9	LG3429001	1	BATTERY, MFC9180		



LIST11(Accessories)

REF.NO.	CODE	Q'TY	DESCRIPTION	RECOMMEND	REMARKS
1	UU2080008	1	PAPER SUPPORT, CLEAR PURPLE(6342)		
2	LE7385001	1	CD-ROM ASSY, MFC9160 FOR GER/UK/FRA/CHE		
2	LE7734001	1	CD-ROM ASSY, MFC9180 FOR BEL		
2	LE7943001	1	CD-ROM ASSY, MFC9180 FOR GER/UK/FRA/CHE/IRE/AUS		
2	LE7806001	1	CD-ROM ASSY, MFC9160 FOR NOR/DEN/SWE		
2	LE7734001	1	CD-ROM ASSY, MFC9180 FOR NOR/NLD/SPA/ITA		
2	LE7812001	1	CD-ROM ASSY, MFC9160 FOR BEL/NLD/SPA/ITA		
2	LE7722001	1	CD-ROM ASSY, MFC9180 FOR FIN/DEN/SWE/GNR		
3	LG2085001	1	AC CORD ASSY, VDE FOR GER/FRA/NOR/BEL/ NLD/FIN/AUS/SPA/ITA/SWE/GNR	1	
3	LG2086001	1	AC CORD ASSY, BS FOR UK/IRE	1	
3	LG2087001	1	AC CORD ASSY, SEV FOR CHE	1	
3	LG2181001	1	AC CORD ASSY, DEMKO FOR DEN	1	
4	UG3625001	1	TELEPHONE LINE CORD, MFC9180 FOR GER		
4	UG3626001	1	TELEPHONE LINE CORD, MFC9180 FOR UK		
4	UG3627001	1	TELEPHONE LINE CORD, MFC9180 FOR FRA		
4	UG3629001	1	TELEPHONE LINE CORD, MFC9180 FOR NOR		
4	UG1575001	1	TELEPHONE LINE CORD, MFC9180 FOR BEL		
4	LG3077001	1	TELEPHONE LINE CORD, MFC9180 FOR NLD/IRE/SPA/GNR		
4	UG3469000	1	TELEPHONE LINE CORD, MFC9180 FOR CHE		
4	UG3632001	1	TELEPHONE LINE CORD, MFC9180 FOR FIN		
4	UG3633001	1	TELEPHONE LINE CORD, MFC9180 FOR DEN		
4	UG4205001	1	TELEPHONE LINE CORD, MFC9180 FOR AUS		
4	UG3634001	1	TELEPHONE LINE CORD, MFC9180 FOR ITA		
4	UG3635001	1	TELEPHONE LINE CORD, MFC9180 FOR SWE		
5	LE7699001	1	FERRITE CORE BAG ASSY, MFC9160/MFC9180 <USB>		
6	LG3622001	1	TELEPHONE PLUG FOR NLD		
7	UG4558001	1	PARALLEL I/F CABLE, MFC9160/MFC9180 FOR GER/UK/IRE/AUS/GNR		

LIST12(PRINTED MATERIAL)

REF.NO.	CODE	Q'TY	DESCRIPTION	RECOMMEND	REMARKS
(1)	LE7388001	1	OWNER'S MANUAL ASSY, MFC9160 FOR GER (INCLUDING OWNER'S MANUAL(REF.No.(1-1) LICENSE GUIDE, WARRANTY CARD)	1	
(1)	LE7358001	1	OWNER'S MANUAL ASSY, MFC9180 FOR GER (INCLUDING OWNER'S MANUAL(REF.No.(1-1) LICENSE GUIDE, WARRANTY CARD)	1	
(1)	LE7397001	1	OWNER'S MANUAL ASSY, MFC9160 FOR UK (INCLUDING OWNER'S MANUAL(REF.No.(1-1) LICENSE GUIDE, WARRANTY CARDS)	1	
(1)	LE7373001	1	OWNER'S MANUAL ASSY, MFC9180 FOR UK (INCLUDING OWNER'S MANUAL(REF.No.(1-1) LICENSE GUIDE, WARRANTY CARDS)	1	
(1)	LE7404001	1	OWNER'S MANUAL ASSY, MFC9160 FOR FRA (INCLUDING OWNER'S MANUAL(REF.No.(1-1) LICENSE GUIDE, WARRANTY CARDS)	1	
(1)	LE7379001	1	OWNER'S MANUAL ASSY, MFC9180 FOR FRA (INCLUDING OWNER'S MANUAL(REF.No.(1-1) LICENSE GUIDE, WARRANTY CARDS)	1	
(1)	LE7809001	1	OWNER'S MANUAL ASSY, MFC9160 FOR NOR (INCLUDING OWNER'S MANUAL(REF.No.(1-1) LICENSE GUIDE, WARRANTY CARD)	1	
(1)	LE7725001	1	OWNER'S MANUAL ASSY, MFC9180 FOR NOR (INCLUDING OWNER'S MANUAL(REF.No.(1-1) LICENSE GUIDE, WARRANTY CARD)	1	
(1)	LE7815001	1	OWNER'S MANUAL ASSY, MFC9160 FOR BEL (INCLUDING 2 OWNER'S MANUALS(REF.No.(1-1) LICENSE GUIDE, WARRANTY CARD)	1	
(1)	LE7728001	1	OWNER'S MANUAL ASSY, MFC9180 FOR BEL (INCLUDING 2 OWNER'S MANUALS(REF.No.(1-1) LICENSE GUIDE, WARRANTY CARD)	1	
(1)	LE7821001	1	OWNER'S MANUAL ASSY, MFC9160 FOR NLD (INCLUDING OWNER'S MANUAL(REF.No.(1-1) LICENSE GUIDE, WARRANTY CARD)	1	
(1)	LE7771001	1	OWNER'S MANUAL ASSY, MFC9180 FOR NLD (INCLUDING OWNER'S MANUAL(REF.No.(1-1) LICENSE GUIDE, WARRANTY CARD)	1	
(1)	LE7824001	1	OWNER'S MANUAL ASSY, MFC9160 FOR CHE (INCLUDING 2 OWNER'S MANUALS(REF.No.(1-1) LICENSE GUIDE, WARRANTY CARD)	1	
(1)	LE7737001	1	OWNER'S MANUAL ASSY, MFC9180 FOR CHE (INCLUDING 2 OWNER'S MANUALS(REF.No.(1-1) LICENSE GUIDE, WARRANTY CARD)	1	
(1)	LE7741001	1	OWNER'S MANUAL ASSY, MFC9180 FOR IRE (INCLUDING OWNER'S MANUAL(REF.No.(1-1) LICENSE GUIDE, WARRANTY CARD)	1	
(1)	LE7745001	1	OWNER'S MANUAL ASSY, MFC9180 FOR FIN (INCLUDING OWNER'S MANUAL(REF.No.(1-1) LICENSE GUIDE)	1	
(1)	LE7828001	1	OWNER'S MANUAL ASSY, MFC9160 FOR DEN (INCLUDING OWNER'S MANUAL(REF.No.(1-1) LICENSE GUIDE, WARRANTY CARD)	1	
(1)	LE7750001	1	OWNER'S MANUAL ASSY, MFC9180 FOR DEN (INCLUDING OWNER'S MANUAL(REF.No.(1-1) LICENSE GUIDE, WARRANTY CARD)	1	
(1)	LE7833001	1	OWNER'S MANUAL ASSY, MFC9160 FOR SPA (INCLUDING OWNER'S MANUAL(REF.No.(1-1) LICENSE GUIDE, WARRANTY CARDS)	1	
(1)	LE7756001	1	OWNER'S MANUAL ASSY, MFC9180 FOR SPA (INCLUDING OWNER'S MANUAL(REF.No.(1-1) LICENSE GUIDE, WARRANTY CARDS)	1	
(1)	LE7838001	1	OWNER'S MANUAL ASSY, MFC9160 FOR ITA (INCLUDING OWNER'S MANUAL(REF.No.(1-1) LICENSE GUIDE, WARRANTY CARD)	1	
(1)	LE7761001	1	OWNER'S MANUAL ASSY, MFC9180 FOR ITA (INCLUDING OWNER'S MANUAL(REF.No.(1-1) LICENSE GUIDE, WARRANTY CARD)	1	
(1)	LE7843001	1	OWNER'S MANUAL ASSY, MFC9160 FOR SWE (INCLUDING OWNER'S MANUAL(REF.No.(1-1) LICENSE GUIDE, WARRANTY CARDS)	1	

LIST12(PRINTED MATERIAL)

REF.NO.	CODE	Q'TY	DESCRIPTION	RECOMMEND	REMARKS
(1)	LE7766001	1	OWNER'S MANUAL ASSY, MFC9180 FOR SWE (INCLUDING OWNER'S MANUAL(REF.No.(1-1) LICENSE GUIDE, WARRANTY CARDS)	1	
(1)	LE7769001	1	OWNER'S MANUAL ASSY, MFC9180 FOR GNR (INCLUDING OWNER'S MANUAL(REF.No.(1-1) LICENSE GUIDE)	1	
(1-1)	LE7389001	1	OWNER'S MANUAL, MFC9160 FOR GER		
(1-1)	LE7359001	1	OWNER'S MANUAL, MFC9180 FOR GER		
(1-1)	LE7398004	1	OWNER'S MANUAL, MFC9160 FOR UK		
(1-1)	LE7374004	1	OWNER'S MANUAL, MFC9180 FOR UK/IRE/GNR		
(1-1)	LE7398005	1	OWNER'S MANUAL, MFC9160 FOR FRA		
(1-1)	LE7374005	1	OWNER'S MANUAL, MFC9180 FOR FRA		
(1-1)	LE7398007	1	OWNER'S MANUAL, MFC9160 FOR NOR		
(1-1)	LE7374007	1	OWNER'S MANUAL, MFC9180 FOR NOR		
(1-1)	LE7398008	1	OWNER'S MANUAL, MFC9160 FOR BEL <DUTCH>		
(1-1)	LE7816008	1	OWNER'S MANUAL, MFC9160 FOR BEL/CHE<FRENCH>		
(1-1)	LE7374008	1	OWNER'S MANUAL, MFC9180 FOR BEL <DUTCH>		
(1-1)	LE7729008	1	OWNER'S MANUAL, MFC9180 FOR BEL/CHE<FRENCH>		
(1-1)	LE7398010	1	OWNER'S MANUAL, MFC9160 FOR CHE <GERMAN>		
(1-1)	LE7374010	1	OWNER'S MANUAL, MFC9180 FOR CHE <GERMAN>		
(1-1)	LE7398009	1	OWNER'S MANUAL, MFC9160 FOR NLD		
(1-1)	LE7374009	1	OWNER'S MANUAL, MFC9180 FOR NLD		
(1-1)	LE7374012	1	OWNER'S MANUAL, MFC9180 FOR FIN		
(1-1)	LE7398013	1	OWNER'S MANUAL, MFC9160 FOR DEN		
(1-1)	LE7374013	1	OWNER'S MANUAL, MFC9180 FOR DEN		
(1-1)	LE7398015	1	OWNER'S MANUAL, MFC9160 FOR SPA		
(1-1)	LE7374015	1	OWNER'S MANUAL, MFC9180 FOR SPA		
(1-1)	LE7398016	1	OWNER'S MANUAL, MFC9160 FOR ITA		
(1-1)	LE7374016	1	OWNER'S MANUAL, MFC9180 FOR ITA		
(1-1)	LE7398026	1	OWNER'S MANUAL, MFC9160 FOR SWE		
(1-1)	LE7374026	1	OWNER'S MANUAL, MFC9180 FOR SWE		

LIST13(PACKING)

REF.NO.	CODE	Q'TY	DESCRIPTION	RECOMMEND	REMARKS
(1)	LE7390001	1	CARTON, BROTHER, MFC9160	1	
(1)	LE7360001	1	CARTON, BROTHER, MFC9180	1	
(2)	LE1986001	1	STYROFOAM ASSY		
(3)	LJ0763001	1	BAG, 1000X1000H		
(4)	LE7467001	1	PE SHEET, 306X450 (FOR SCANNER GLASS)		
(5)	LE7012001	1	CARTON FOR MANUAL, MFC9160/MFC9180		
(6)	LE7391001	1	START CARD, MFC9160 FOR GER		
(6)	LE7362001	1	START CARD, MFC9180 FOR GER		
(6)	LE7399001	1	START CARD, MFC9160 FOR FRA		
(6)	LE7376001	1	START CARD, MFC9180 FOR FRA		
(6)	LE7727001	1	START CARD, MFC9180 FOR NOR		
(6)	LE7731001	1	START CARD, MFC9180 FOR BEL <DUTCH>		
(6)	LE7740001	1	START CARD, MFC9180 FOR BEL/CHE <FRENCH>		
(6)	LE7739001	1	START CARD, MFC9180 FOR CHE <GERMAN>		
(6)	LE7773001	1	START CARD, MFC9180 FOR NLD		
(6)	LE7747001	1	START CARD, MFC9180 FOR FIN		
(6)	LE7752001	1	START CARD, MFC9160 FOR DEN		
(6)	LE7758001	1	START CARD, MFC9180 FOR SPA		
(6)	LE7763001	1	START CARD, MFC9180 FOR ITA		
(6)	LE7768001	1	START CARD, MFC9180 FOR SWE		
(7)	UL7932001	1	BAG 400X480 (FOR TONER/DRUM)		
(8)	LE7714001	1	PE SHEET, 280X500 (FOR DOCUMENT TRAY)		
(9)	UU0456001	1	PROTECTION PAPER (FOR ADF)		

brother®

8C5631
PL-FAX017
Ver. -