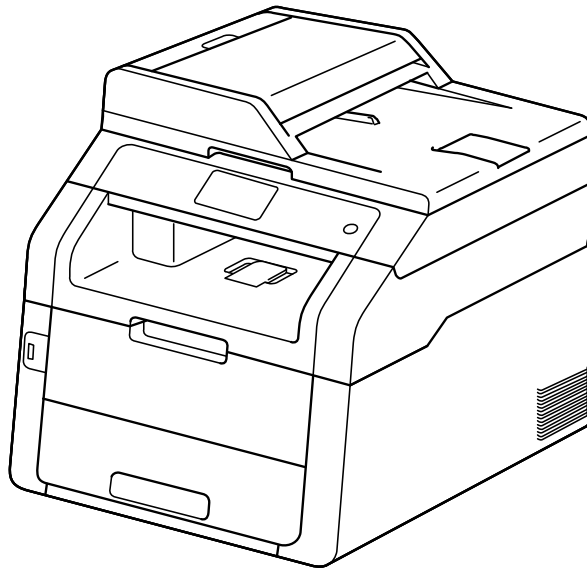




Color FAX/MFC PARTS REFERENCE LIST

**MODEL:
DCP-9020CDW/MFC-9130CW/
9140CDN/9330CDW/9340CDW**



Read this list thoroughly before maintenance work.

Keep this list in a convenient place for quick and easy reference at all times.

NOTE FOR USING THIS PARTS REFERENCE LIST

1. In the case of ordering parts, it is necessary to mention the following items:

- (1) Code
- (2) Q'ty
- (3) Description

<Example>

	(1)	(2)	(3)			
REFNo.	CODE	Q'TY	DESCRIPTION	MODEL	SPEC	REMARKS

2. Design-changed parts:

If any of the parts is changed, one of the following symbols is indicated in the REMARK column.

CHG (chg): The part is changed for a new one.

ADD (add): The part is newly added.

DEL (del): The part is deleted.

Symbol in capital letters indicates the latest parts change information in the page.

3. Parts change will be informed by the Parts change information.

4. Parts are subject to change in design without prior notice.

COUNTRIES & AREAS

US ----- U.S.A.

CAN ----- CANADA

GER ----- GERMANY

UK ----- UNITED KINGDOM

CHE ----- SWITZERLAND

ITA ----- ITALY

RUS----- RUSSIA

FRA/BEL/NLD -----

FRANCE/BELGIUM/NETHERLANDS

ARL/NZ ----- AUSTRALIA/NEW ZEALAND

PND ----- PAN-NORDIC

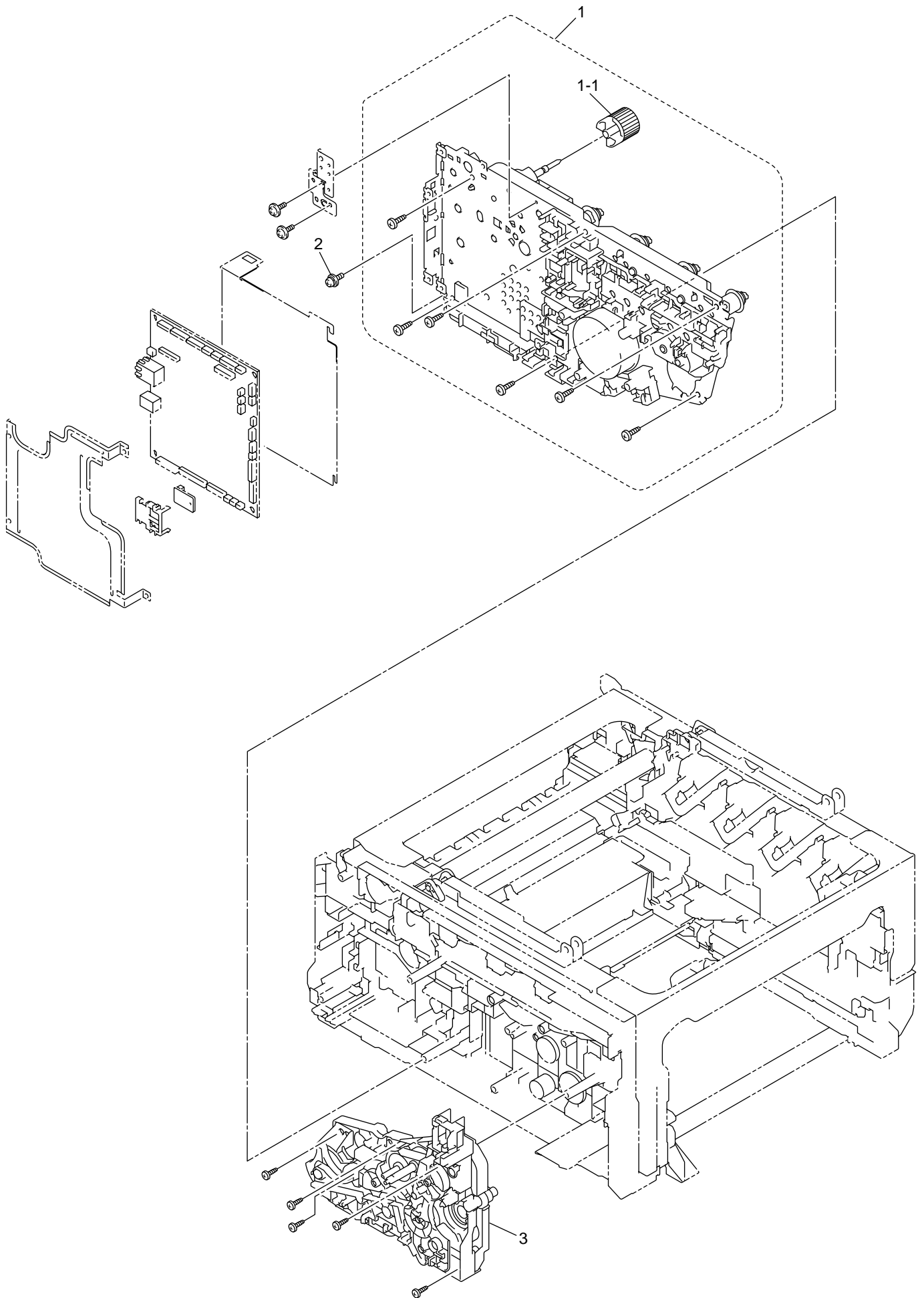
(NORWAY/FINLAND/DENMARK/SWEDEN)

IBR ----- IBERIA (SPAIN & PORTUGAL)

CONTENTS

1.	<u>FRAME L & DRIVE UNIT</u>	1
2.	<u>FRAME R UNIT</u>	3
3.	<u>FRAME</u>	5
4.	<u>LED JOINT COVER</u>	7
5.	<u>PAPER FEEDER</u>	9
6.	<u>DUPLEX</u>	11
7.	<u>PAPER TRAY</u>	13
8.	<u>FUSER UNIT</u>	15
9.	<u>PAPER EJECT</u>	17
10.	<u>COVERS & LABELS</u>	19
11.	<u>DOCUMENT SCANNER</u>	21
12.	<u>ADF</u>	23
13.	<u>PANEL</u>	25
14.	<u>PCB</u>	27
15.	<u>ACCESSORIES</u>	29
16.	<u>PRINTED MATERIALS</u>	32
17.	<u>PACKING MATERIALS</u>	35
18.	<u>PERIODICAL MAINTENANCE PARTS</u>	37

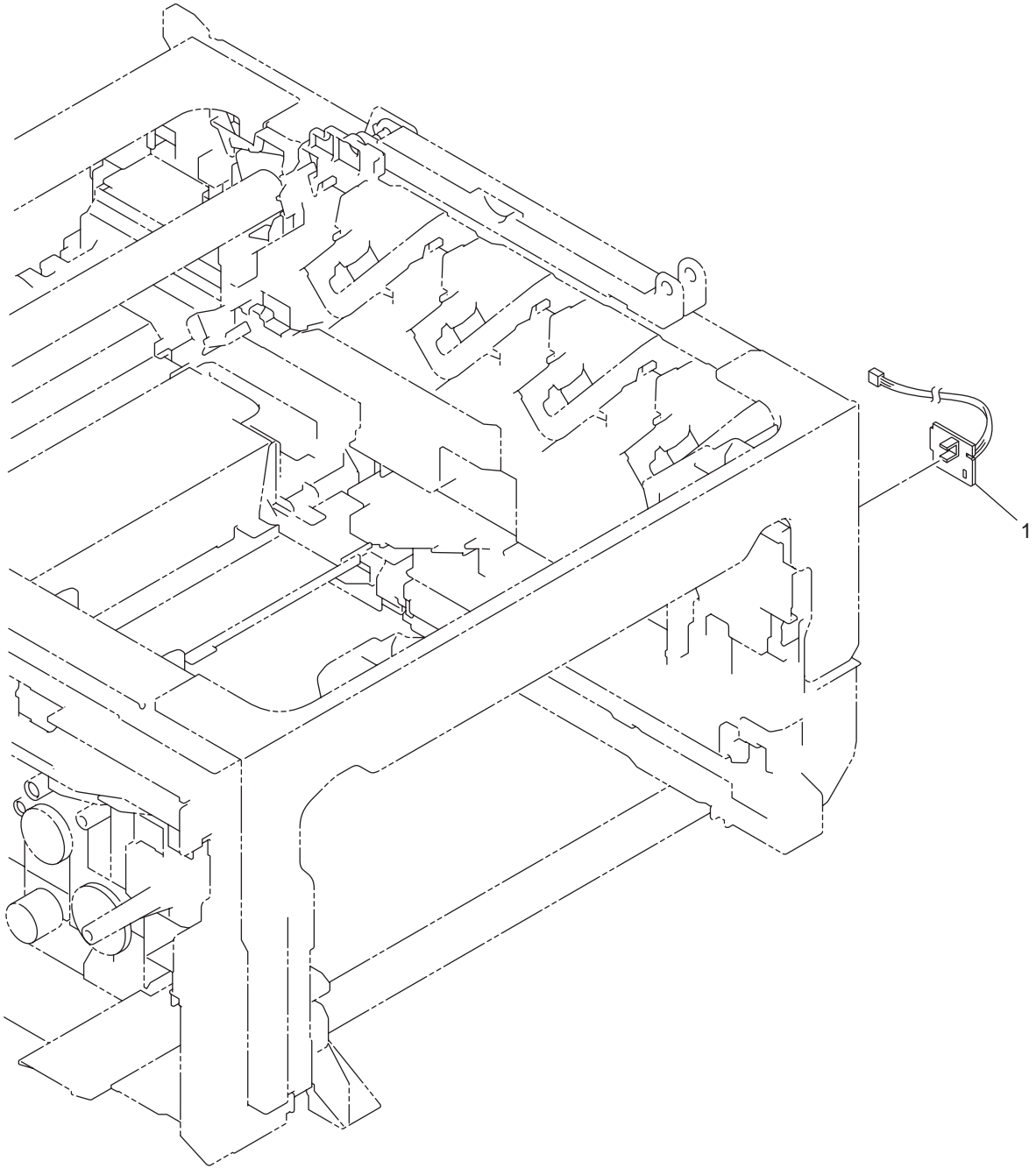
1.FRAME L & DRIVE UNIT



1. FRAME L & DRIVE UNIT

REF No.	CODE	Q'T Y	DESCRIPTION	MODEL	SPEC	REMARKS
1	LEF006001	1	PROCESS DRIVE UNIT			
1-1	LY0233001	1	FUSER DRIVE GEAR Z25			
2	LU6109001	1	TAPTITE PAN B M4X12DA			
3	LY6100001	1	MAIN DRIVE UNIT			

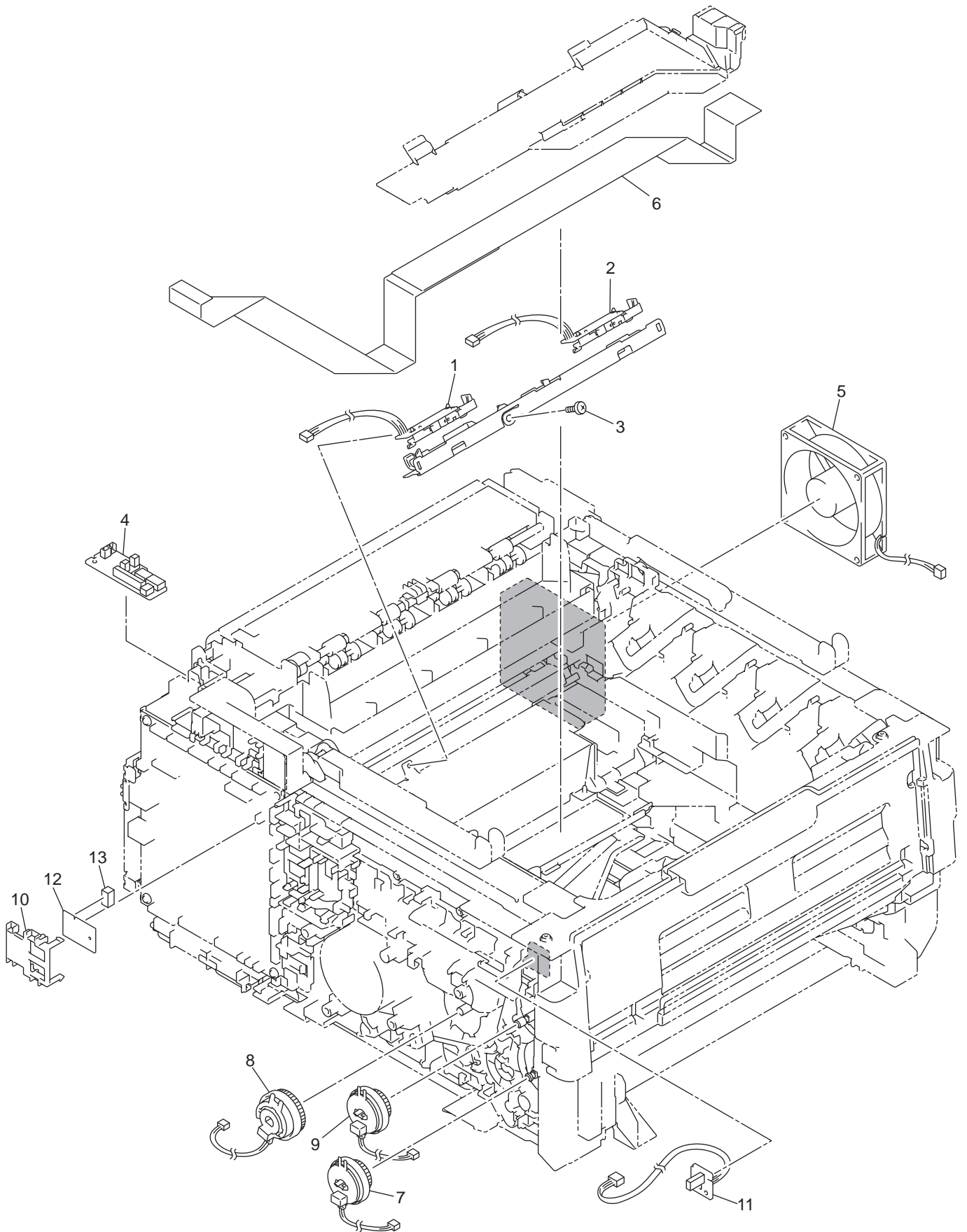
2.FRAME R UNIT



2. FRAME R UNIT

REF No.	CODE	Q'T Y	DESCRIPTION	MODEL	SPEC	REMARKS
1	LV0885001	1	DEVELOP RELEASE SENSOR PCB ASSY			

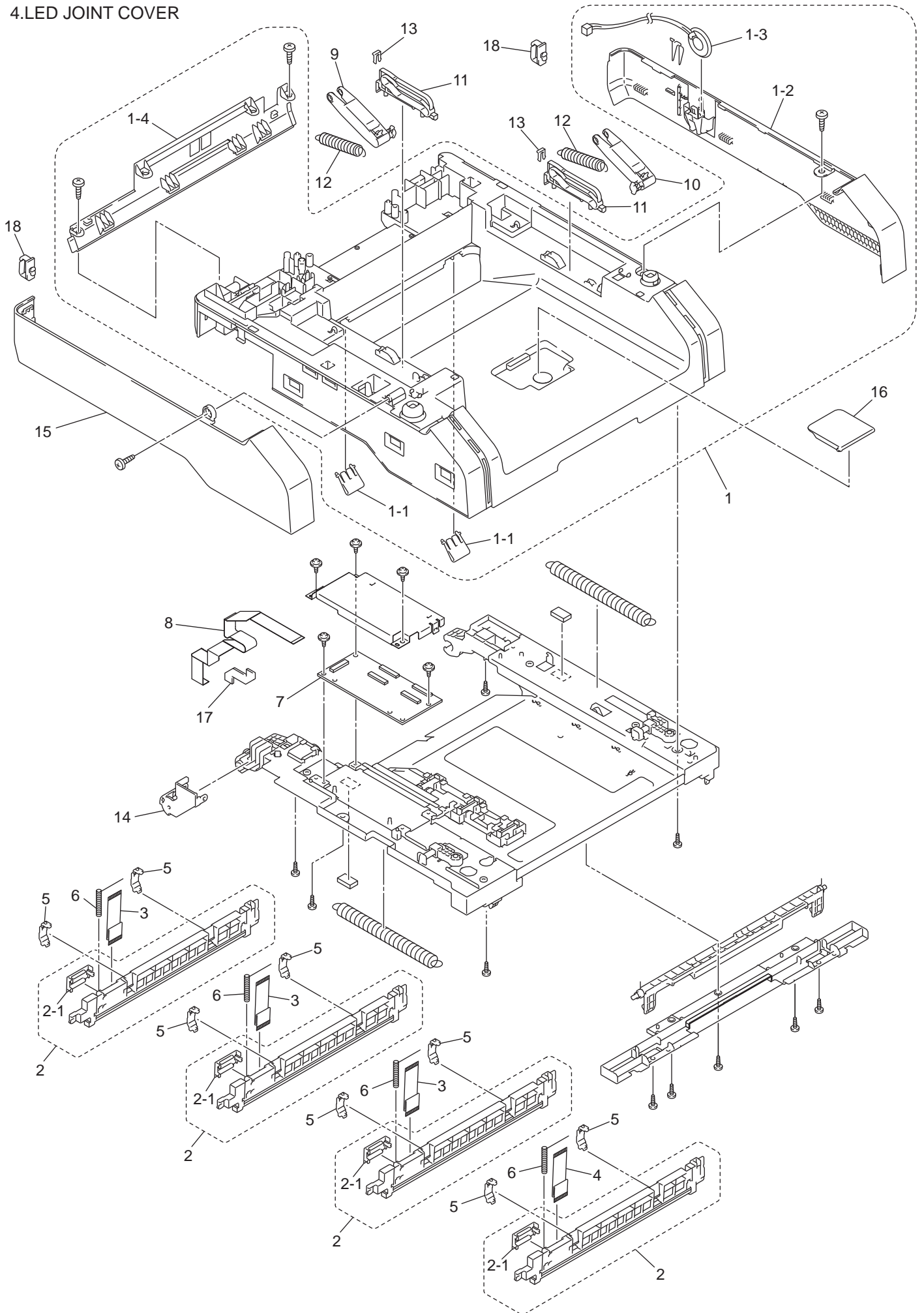
3.FRAME



3. FRAME

REF No.	CODE	Q'T Y	DESCRIPTION	MODEL	SPEC	REMARKS
1	LV0905001	1	REGISTRATION MARK L PCB ASSY			
2	LV0903001	1	REGISTRATION MARK R PCB ASSY			
3	085320516	1	TAPTITE BIND S M3X5			
4	LV0890001	1	EJECT SENSOR PCB ASSY			
5	LY6770001	1	MAIN FAN			
6	LV0918001	1	HVPS FLAT CABLE			
7	LY6134001	1	PAPER FEED CLUTCH			
8	LY6135001	1	DEVELOP RELEASE CLUTCH			
9	LY6136001	1	REGISTRATION CLUTCH			
10	LY6139001	1	WIRELESS LAN CAP	DCP-9020CDW		
10	LY6139001	1	WIRELESS LAN CAP	MFC-9130CW		
10	LY6139001	1	WIRELESS LAN CAP	MFC-9330CDW		
10	LY6139001	1	WIRELESS LAN CAP	MFC-9340CDW		
11	LV0942001	1	EXTERNAL TEMPERATURE/HUMIDITY SENSOR			
12	LT2822001	1	WIRELESS LAN PCB ASSY	DCP-9020CDW		CHG
12	LT2822001	1	WIRELESS LAN PCB ASSY	MFC-9130CW		CHG
12	LT2822001	1	WIRELESS LAN PCB ASSY	MFC-9330CDW		CHG
12	LT2822001	1	WIRELESS LAN PCB ASSY	MFC-9340CDW		CHG
13	LT2604001	1	SPACER SPONGE	DCP-9020CDW		
13	LT2604001	1	SPACER SPONGE	MFC-9130CW		
13	LT2604001	1	SPACER SPONGE	MFC-9330CDW		
13	LT2604001	1	SPACER SPONGE	MFC-9340CDW		

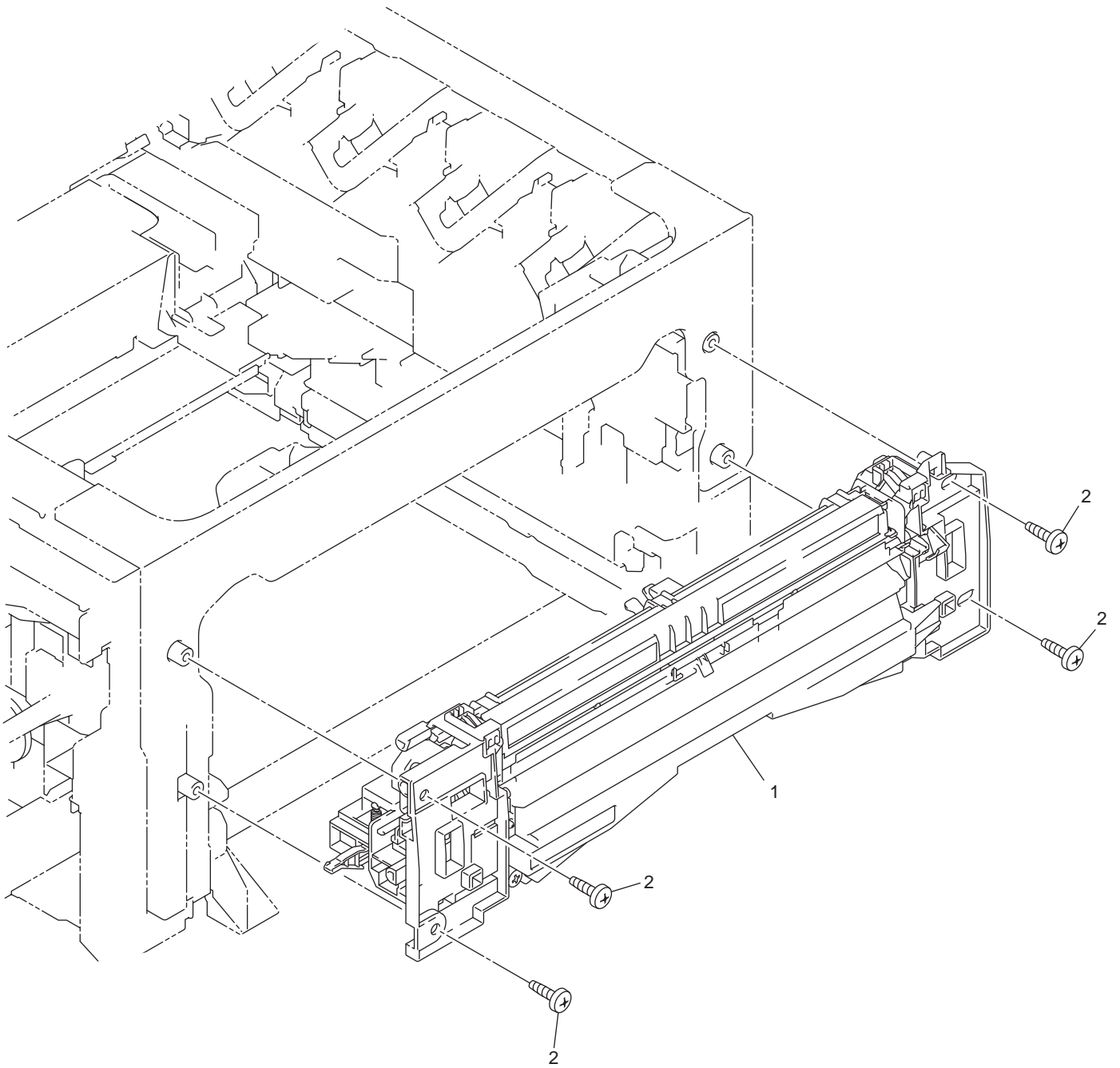
4.LED JOINT COVER



4. LED JOINT COVER

REF No.	CODE	Q'T Y	DESCRIPTION	MODEL	SPEC	REMARKS
1	LEF319001	1	JOINT COVER ASSY (SP)	DCP-9020CDW		
1	LEF321001	1	JOINT COVER ASSY (SP)	MFC-9130CW		
1	LEF320001	1	JOINT COVER ASSY (SP)	MFC-9140CDN		
1	LEF320001	1	JOINT COVER ASSY (SP)	MFC-9330CDW		
1	LEF320001	1	JOINT COVER ASSY (SP)	MFC-9340CDW		
1-1	LY6255001	2	PAPER STACK LEVER			
1-2	LEF104001	1	JOINT COVER SIDE R	DCP-9020CDW		
1-2	LEF032001	1	JOINT COVER SIDE R	MFC-9130CW		
1-2	LEF032001	1	JOINT COVER SIDE R	MFC-9140CDN		
1-2	LEF032001	1	JOINT COVER SIDE R	MFC-9330CDW		
1-2	LEF032001	1	JOINT COVER SIDE R	MFC-9340CDW		
1-3	LT2218001	1	SPEAKER UNIT			
1-4	LEF105001	1	JOINT COVER BACK	DCP-9020CDW		
1-4	LEF033001	1	JOINT COVER BACK	MFC-9130CW		
1-4	LEF033001	1	JOINT COVER BACK	MFC-9140CDN		
1-4	LEF033001	1	JOINT COVER BACK	MFC-9330CDW		
1-4	LEF033001	1	JOINT COVER BACK	MFC-9340CDW		
2	LY6790001	4	LED ASSY (SP)			
2-1	LY6272001	4	FLAT CABLE COVER			
3	LV0921001	3	LED FLAT CABLE			
4	LV0945001	1	LED(Y) FLAT CABLE			
5	LY6277001	8	HOLDER HOOK			
6	LY6274001	4	Z SPRING L			
7	LV0907001	1	LED CONTROL PCB ASSY			
8	LT2220001	1	LED CONTROL FLAT CABLE			
9	LP2727001	1	PULL ARM L			
10	LP2728001	1	PULL ARM R			
11	LS7023001	2	PULL ARM GUIDE			
12	LX4020001	2	PULL ARM SPRING			
13	LF6148001	2	LOCK CLAW			
14	LEF050001	1	FLAT CABLE HOLDER COVER			
15	LEF106001	1	JOINT COVER SIDE L	DCP-9020CDW		
15	LEF051001	1	JOINT COVER SIDE L	MFC-9130CW		
15	LEF051001	1	JOINT COVER SIDE L	MFC-9140CDN		
15	LEF051001	1	JOINT COVER SIDE L	MFC-9330CDW		
15	LEF051001	1	JOINT COVER SIDE L	MFC-9340CDW		
16	LY6250002	1	SUPPORT FLAP	DCP-9020CDW		
16	LY6250002	1	SUPPORT FLAP	MFC-9130CW		
16	LY6250001	1	SUPPORT FLAP	MFC-9140CDN		
16	LY6250001	1	SUPPORT FLAP	MFC-9330CDW		
16	LY6250001	1	SUPPORT FLAP	MFC-9340CDW		
17	LEF117001	1	FLAT CABLE SPONGE1			
18	LP2612002	2	CORD HOOK	MFC-9130CW		
18	LP2612002	2	CORD HOOK	MFC-9140CDN		
18	LP2612002	2	CORD HOOK	MFC-9330CDW		
18	LP2612002	2	CORD HOOK	MFC-9340CDW		

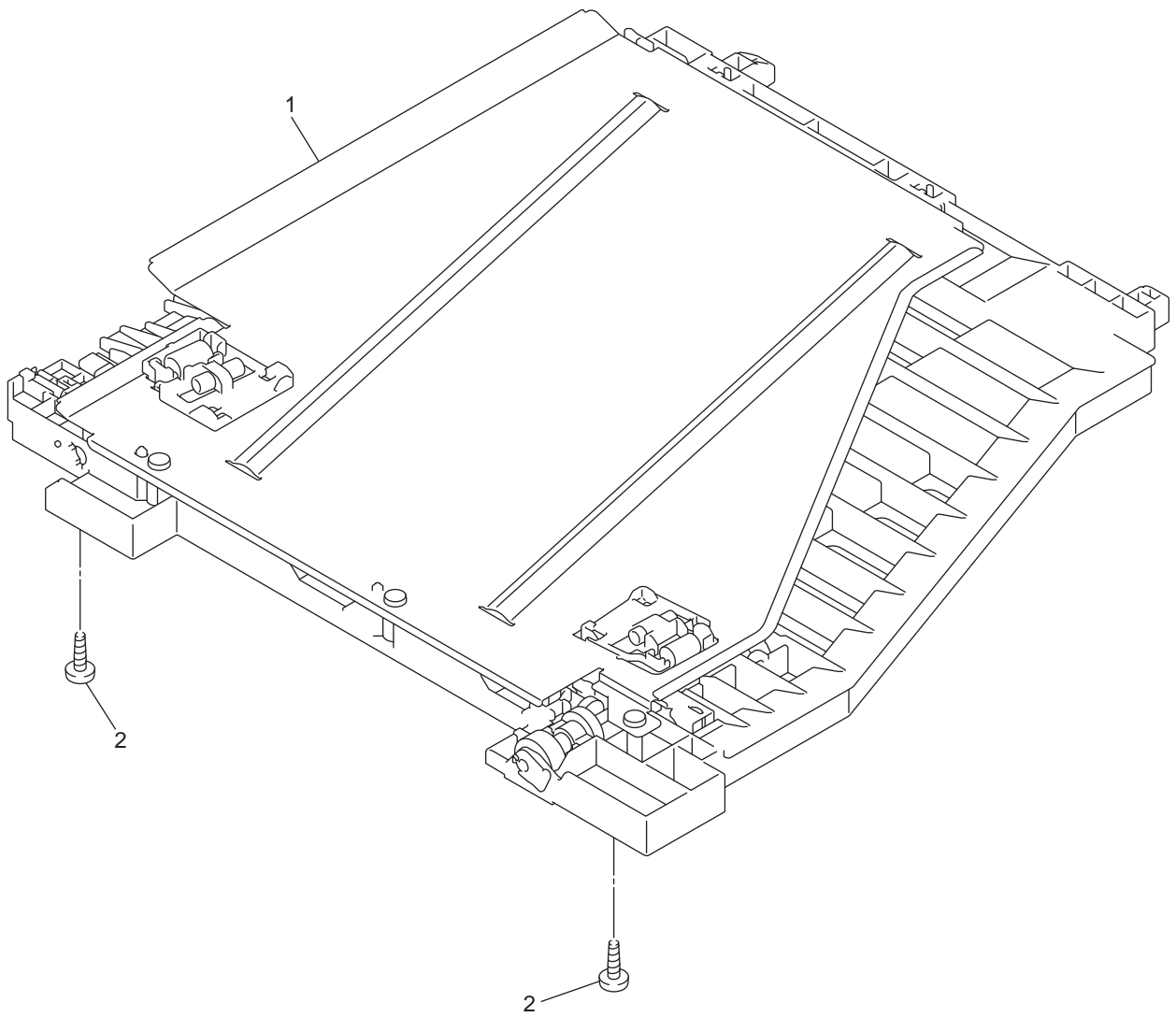
5.PAPER FEEDER



5. PAPER FEEDER

REF No.	CODE	Q'T Y	DESCRIPTION	MODEL	SPEC	REMARKS
1	LY7536002	1	PAPER FEED UNIT (SP)	DCP-9020CDW		
1	LY7536002	1	PAPER FEED UNIT (SP)	MFC-9130CW		
1	LY7536001	1	PAPER FEED UNIT (SP)	MFC-9140CDN		
1	LY7536001	1	PAPER FEED UNIT (SP)	MFC-9330CDW		
1	LY7536001	1	PAPER FEED UNIT (SP)	MFC-9340CDW		
2	LU5693001	4	TAPTITE BIND B M4X12			

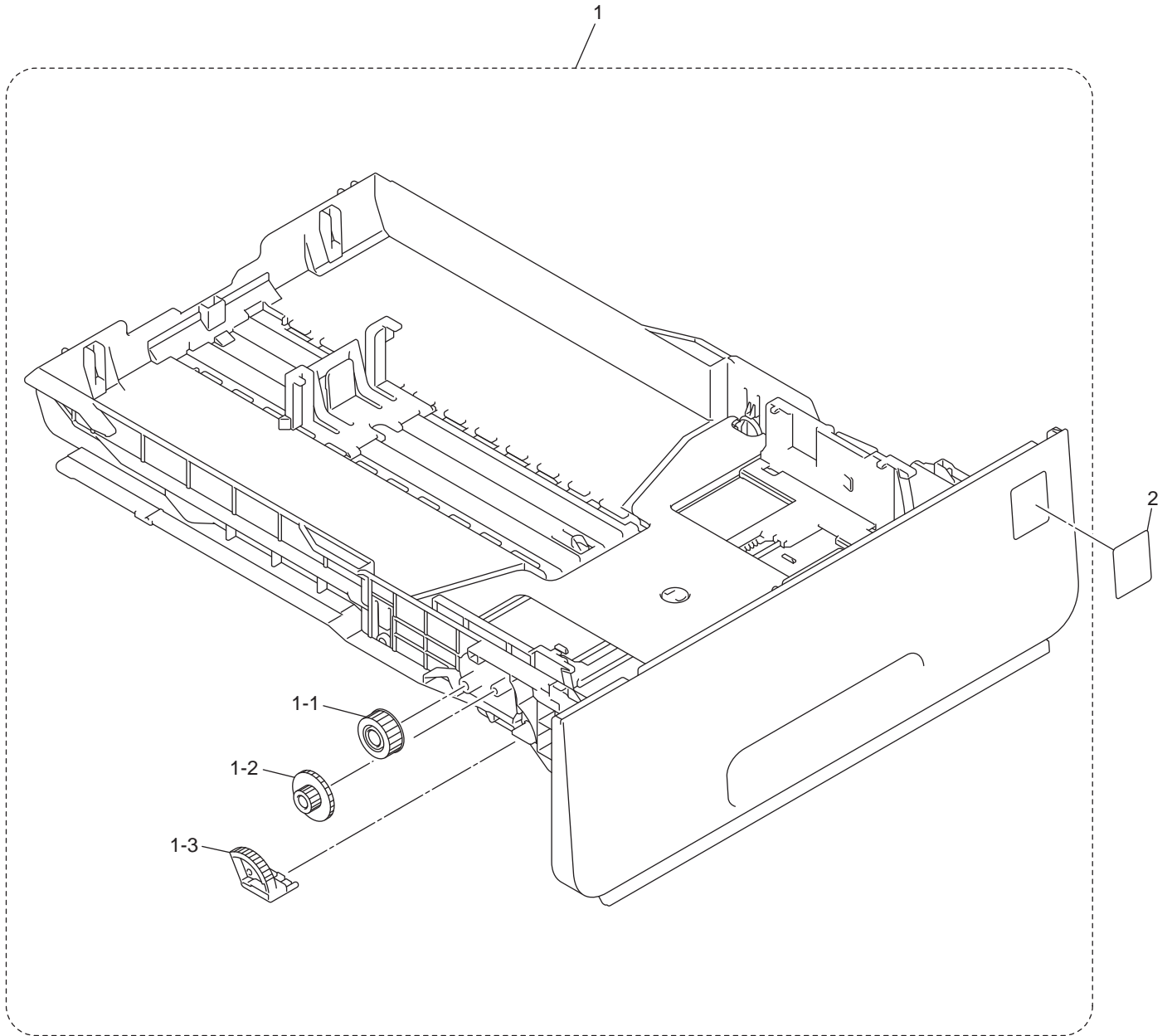
6.DUPLEX



6. DUPLEX

REF No.	CODE	Q'T Y	DESCRIPTION	MODEL	SPEC	REMARKS
1	LY6649001	1	DUPLEX TRAY A4	DCP-9020CDW		
1	LY6649001	1	DUPLEX TRAY A4	MFC-9140CDN		
1	LY6649001	1	DUPLEX TRAY A4	MFC-9330CDW	FOR GER/UK/CHE/ITA/IBR/RUS/ FRA/BEL/NLD/ARL/NZ/PND	
1	LY6649001	1	DUPLEX TRAY A4	MFC-9340CDW	FOR GER/UK/CHE/ITA/IBR/ FRA/BEL/NLD	
1	LY6587001	1	DUPLEX TRAY LTR	MFC-9330CDW	FOR US/CAN	
1	LY6587001	1	DUPLEX TRAY LTR	MFC-9340CDW	FOR US	
2	LU5693001	2	TAPTITE BIND B M4X12	DCP-9020CDW		
2	LU5693001	2	TAPTITE BIND B M4X12	MFC-9140CDN		
2	LU5693001	2	TAPTITE BIND B M4X12	MFC-9330CDW		
2	LU5693001	2	TAPTITE BIND B M4X12	MFC-9340CDW		

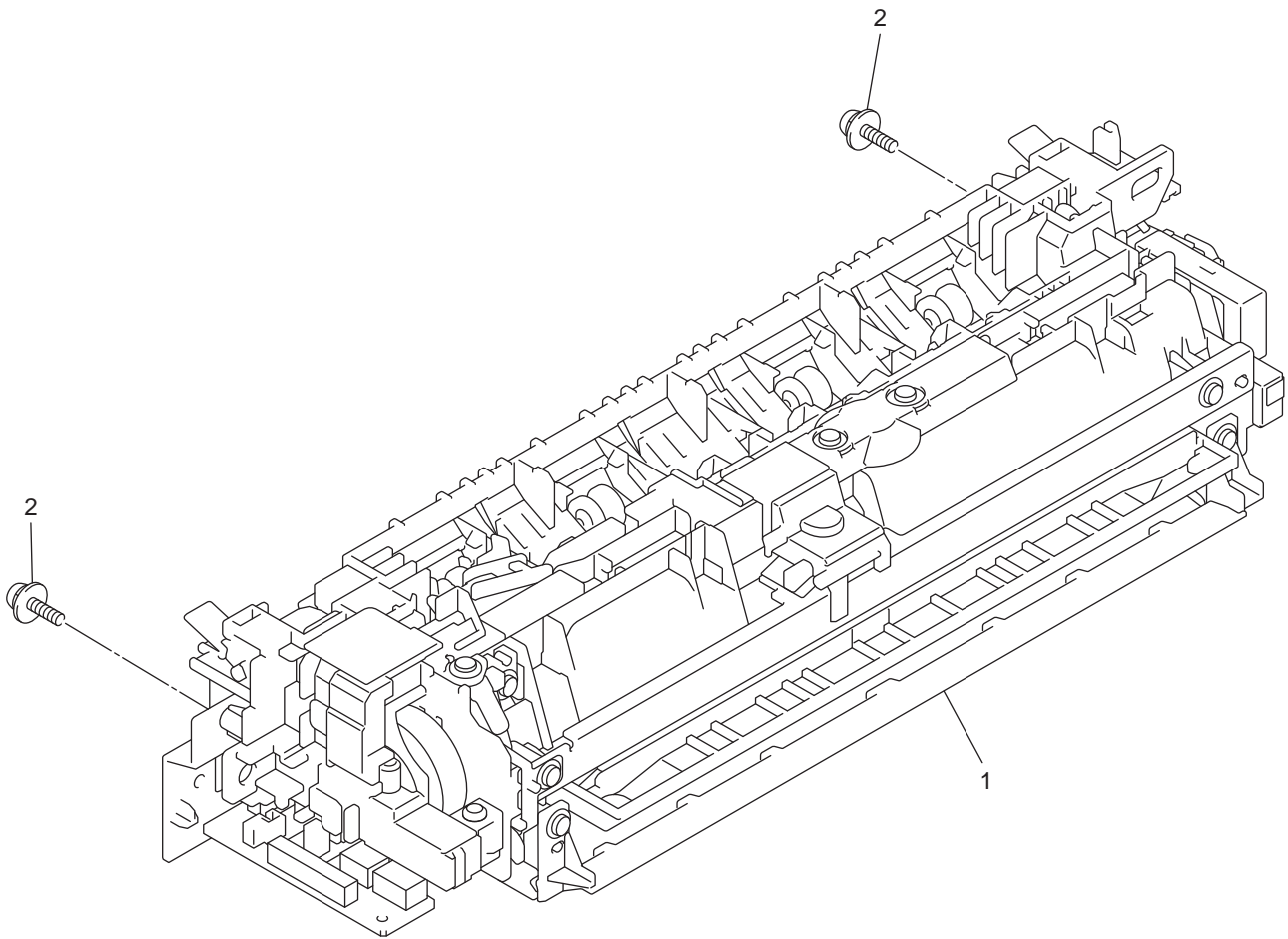
7.PAPER TRAY



7. PAPER TRAY

REF No.	CODE	Q'T Y	DESCRIPTION	MODEL	SPEC	REMARKS
1	LY6602002	1	PAPER TRAY	DCP-9020CDW		
1	LY6342002	1	PAPER TRAY	MFC-9130CW		
1	LY6602001	1	PAPER TRAY	MFC-9140CDN		
1	LY6602001	1	PAPER TRAY	MFC-9330CDW		
1	LY6602001	1	PAPER TRAY	MFC-9340CDW		
1-1	LR0252001	1	GEAR Z19M10			
1-2	LR0253001	1	GEAR Z23M10Z14M75			
1-3	LY2202001	1	LIFT GEAR 46			
2	LY6986001	1	COLOR LABEL	DCP-9020CDW		
2	LY6986001	1	COLOR LABEL	MFC-9130CW		
2	LY6423001	1	COLOR LABEL	MFC-9140CDN		
2	LY6423001	1	COLOR LABEL	MFC-9330CDW		
2	LY6423001	1	COLOR LABEL	MFC-9340CDW		

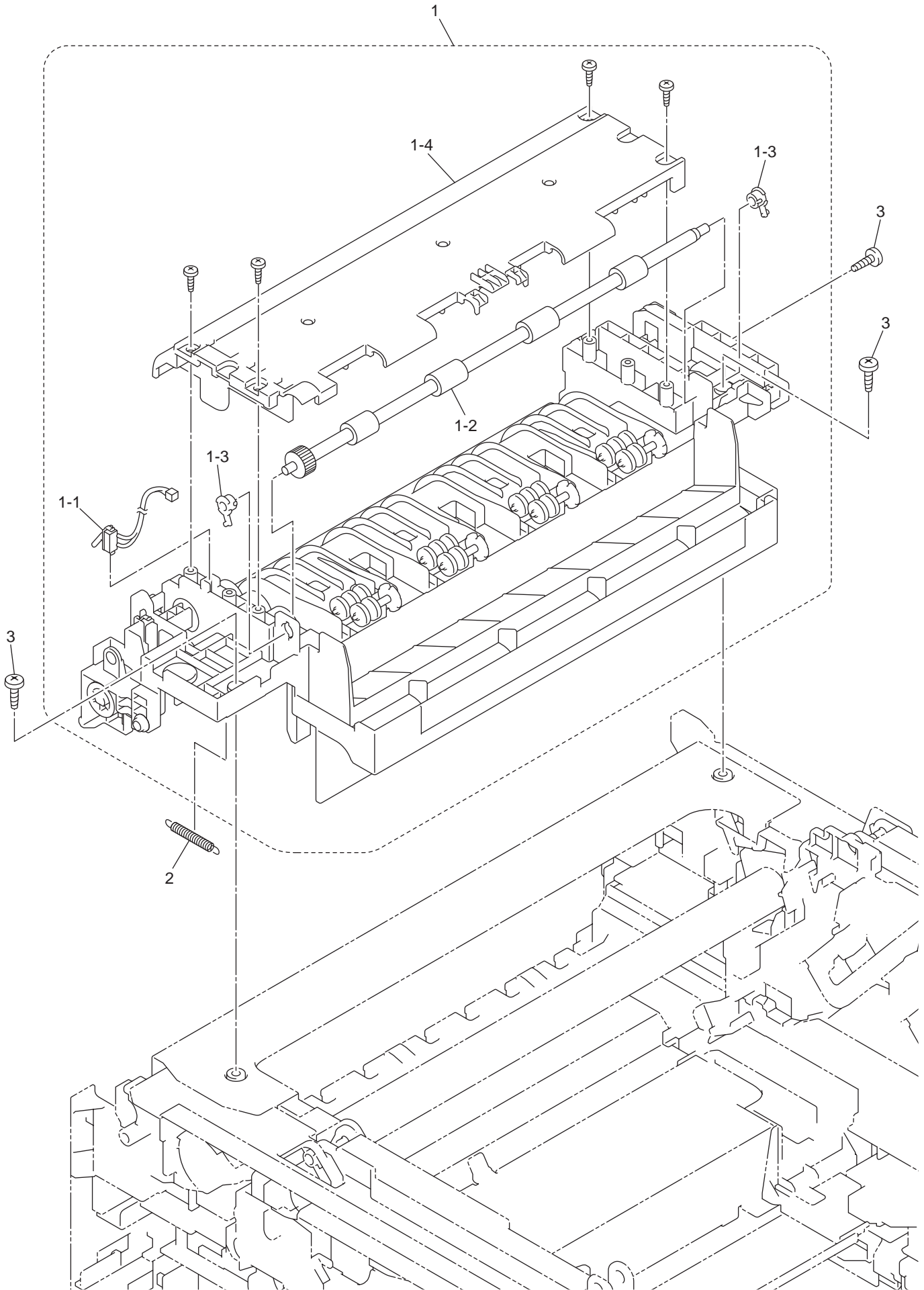
8.FUSER UNIT



8. FUSER UNIT

REF No.	CODE	Q'T Y	DESCRIPTION	MODEL	SPEC	REMARKS
1	LY6753001	1	FUSER UNIT 115V (SP)	MFC-9130CW		
1	LY6753001	1	FUSER UNIT 115V (SP)	MFC-9330CDW	FOR US/CAN	
1	LY6753001	1	FUSER UNIT 115V (SP)	MFC-9340CDW	FOR US	
1	LY6754001	1	FUSER UNIT 230V (SP)	DCP-9020CDW		
1	LY6754001	1	FUSER UNIT 230V (SP)	MFC-9140CDN		
1	LY6754001	1	FUSER UNIT 230V (SP)	MFC-9330CDW	FOR GER/UK/CHE/ITA/IBR/RUS/ FRA/BEL/NLD/ARL/NZ/PND	
1	LY6754001	1	FUSER UNIT 230V (SP)	MFC-9340CDW	FOR GER/UK/CHE/ITA/IBR/ FRA/BEL/NLD	
2	LU6109001	2	TAPTITE PAN(WASHER)B M4X12DA			

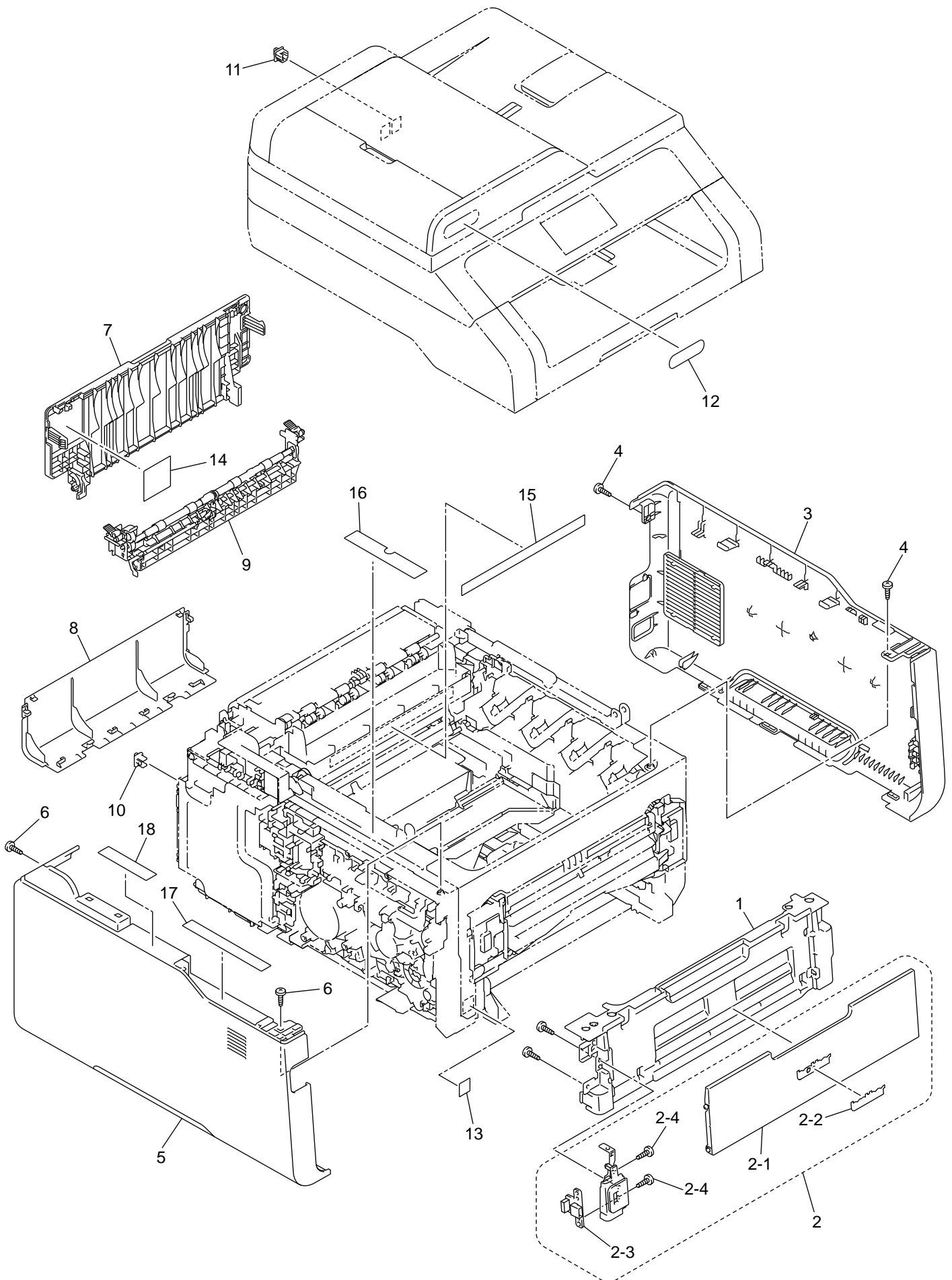
9.PAPER EJECT



9. PAPER EJECT

REF No.	CODE	Q'T Y	DESCRIPTION	MODEL	SPEC	REMARKS
1	LY6603002	1	PAPER EJECT ASSY	DCP-9020CDW		
1	LY6385002	1	PAPER EJECT ASSY	MFC-9130CW		
1	LY6603001	1	PAPER EJECT ASSY	MFC-9140CDN		
1	LY6603001	1	PAPER EJECT ASSY	MFC-9330CDW		
1	LY6603001	1	PAPER EJECT ASSY	MFC-9340CDW		
1-1	LV0927001	1	BACK COVER SENSOR HARNESS ASSY			
1-2	LY6397001	1	EJECT ROLLER ASSY			
1-3	LY0790001	2	EXIT ROLLER BUSHING R			
1-4	LY6401001	1	BACK COVER UPPER			
2	LY6964001	1	COOLING ROLLER SPRING L	DCP-9020CDW		
2	LY6964001	1	COOLING ROLLER SPRING L	MFC-9140CDN		
2	LY6964001	1	COOLING ROLLER SPRING L	MFC-9330CDW		
2	LY6964001	1	COOLING ROLLER SPRING L	MFC-9340CDW		
3	LU5693001	3	TAPTITE BIND B M4X12			

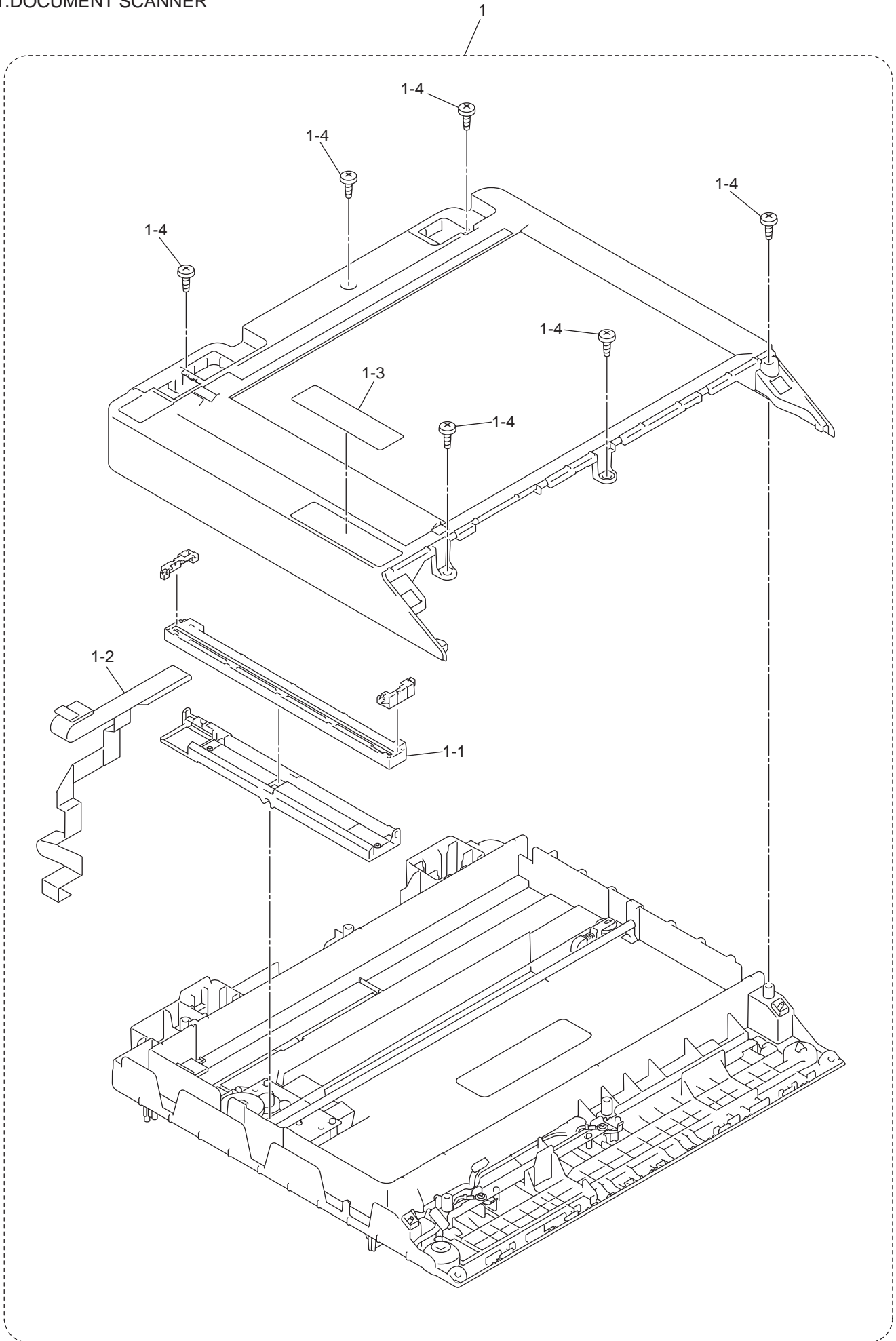
10. COVERS & LABELS



10. COVERS & LABELS

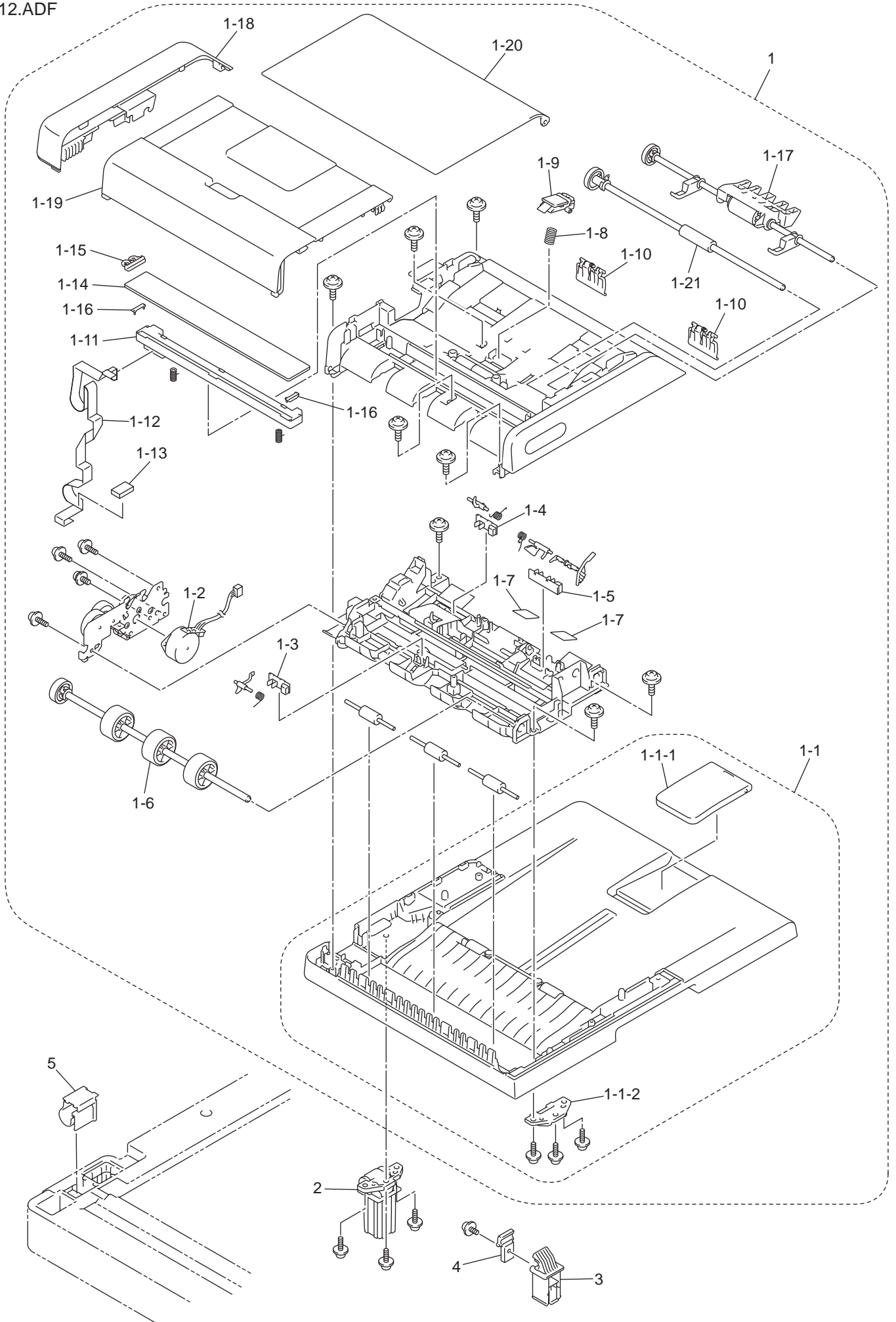
REF No.	CODE	Q'T Y	DESCRIPTION	MODEL	SPEC	REMARKS
1	LEF053002	1	INNER FRONT COVER	DCP-9020CDW		
1	LEF053002	1	INNER FRONT COVER	MFC-9130CW		
1	LEF053001	1	INNER FRONT COVER	MFC-9140CDN		
1	LEF053001	1	INNER FRONT COVER	MFC-9330CDW		
1	LEF053001	1	INNER FRONT COVER	MFC-9340CDW		
2	LY7419002	1	FRONT COVER ASSY (SP)	DCP-9020CDW		
2	LY7419002	1	FRONT COVER ASSY (SP)	MFC-9130CW		
2	LY7419001	1	FRONT COVER ASSY (SP)	MFC-9140CDN		
2	LY7419001	1	FRONT COVER ASSY (SP)	MFC-9330CDW		
2	LY7419001	1	FRONT COVER ASSY (SP)	MFC-9340CDW		
2-1	LY6403002	1	MANUAL FEED SLOT COVER ASSY	DCP-9020CDW		
2-1	LY6403002	1	MANUAL FEED SLOT COVER ASSY	MFC-9130CW		
2-1	LY6403001	1	MANUAL FEED SLOT COVER ASSY	MFC-9140CDN		
2-1	LY6403001	1	MANUAL FEED SLOT COVER ASSY	MFC-9330CDW		
2-1	LY6403001	1	MANUAL FEED SLOT COVER ASSY	MFC-9340CDW		
2-2	LY4852004	1	EMBLEM BROTHER SHEET	DCP-9020CDW		
2-2	LY4852004	1	EMBLEM BROTHER SHEET	MFC-9130CW		
2-2	LY4852002	1	EMBLEM BROTHER SHEET	MFC-9140CDN		
2-2	LY4852002	1	EMBLEM BROTHER SHEET	MFC-9330CDW		
2-2	LY4852002	1	EMBLEM BROTHER SHEET	MFC-9340CDW		
2-3	LT2221001	1	USB HOST PCB ASSY	MFC-9330CDW		
2-3	LT2221001	1	USB HOST PCB ASSY	MFC-9340CDW		
2-4	LU5694001	2	TAPTITE BIND B M3X10	MFC-9330CDW		
2-4	LU5694001	2	TAPTITE BIND B M3X10	MFC-9340CDW		
3	LEF057001	1	SIDE COVER R			
4	LU5693001	2	TAPTITE BIND B M4X12			
5	LEF110001	1	SIDE COVER L	DCP-9020CDW		
5	LEF108001	1	SIDE COVER L	MFC-9130CW		
5	LEF110001	1	SIDE COVER L	MFC-9140CDN		
5	LEF059001	1	SIDE COVER L	MFC-9330CDW		
5	LEF059001	1	SIDE COVER L	MFC-9340CDW		
6	LU5693001	2	TAPTITE BIND B M4X12			
7	LY6613001	1	BACK COVER ASSY	DCP-9020CDW		
7	LY6409001	1	BACK COVER ASSY	MFC-9130CW		
7	LY6613001	1	BACK COVER ASSY	MFC-9140CDN		
7	LY6613001	1	BACK COVER ASSY	MFC-9330CDW		
7	LY6613001	1	BACK COVER ASSY	MFC-9340CDW		
8	LY6412001	1	BACK COVER LOWER			
9	LY6413001	1	FUSER COVER ASSY			
10	LY0872001	1	LAN PORT CAP	DCP-9020CDW		
10	LY0872001	1	LAN PORT CAP	MFC-9140CDN		
10	LY0872001	1	LAN PORT CAP	MFC-9330CDW		
10	LY0872001	1	LAN PORT CAP	MFC-9340CDW		
11	LE8842001	1	EXT CAP	MFC-9130CW		
11	LE8842001	1	EXT CAP	MFC-9140CDN	FOR CHE/ARL/NZ/IBR	
11	LE8842001	1	EXT CAP	MFC-9330CDW	FOR US/CAN/CHE/RUS/ARL/NZ/PND	
11	LE8842001	1	EXT CAP	MFC-9340CDW	FOR US/CHE	
11	UF5745000	1	MJ COVER EXT	MFC-9140CDN	FOR GER/UK/ITA/IBR/FRA/BEL/NLD	
11	UF5745000	1	MJ COVER EXT	MFC-9330CDW	FOR GER/UK/ITA/IBR/FRA/BEL/NLD	
11	UF5745000	1	MJ COVER EXT	MFC-9340CDW	FOR GER/UK/ITA/IBR/FRA/BEL/NLD	
12	LX4197003	1	DCP EMBLEM	DCP-9020CDW		
12	LX4202004	1	MFC EMBLEM	MFC-9130CW		
12	LX4196001	1	MFC EMBLEM	MFC-9140CDN		
12	LX4202001	1	MFC EMBLEM	MFC-9330CDW	FOR US/CAN	
12	LX4196001	1	MFC EMBLEM	MFC-9330CDW	FOR GER/UK/CHE/ITA/IBR/RUS/ FRA/BEL/NLD/ARL/NZ/PND	
12	LX4202001	1	MFC EMBLEM	MFC-9340CDW	FOR US	
12	LX4196001	1	MFC EMBLEM	MFC-9340CDW	FOR GER/UK/CHE/ITA/IBR/ FRA/BEL/NLD	
13	LY6425001	1	LABEL FRONT JAM 25X21			
14	LY6426001	1	LABEL H/SP CAUTION REAR 44X41			
15	LY6780001	1	LABEL HEAT CAUTION F200	DCP-9020CDW		
15	LY6427001	1	LABEL HEAT CAUTION F200	MFC-9130CW		
15	LY6780001	1	LABEL HEAT CAUTION F200	MFC-9140CDN		
15	LY6427001	1	LABEL HEAT CAUTION F200	MFC-9330CDW	FOR US/CAN	
15	LY6780001	1	LABEL HEAT CAUTION F200	MFC-9330CDW	FOR GER/UK/CHE/ITA/IBR/RUS/ FRA/BEL/NLD/ARL/NZ/PND	
15	LY6427001	1	LABEL HEAT CAUTION F200	MFC-9340CDW	FOR US	
15	LY6780001	1	LABEL HEAT CAUTION F200	MFC-9340CDW	FOR GER/UK/CHE/ITA/IBR/ FRA/BEL/NLD	
16	LY6428001	1	LABEL DR OPERATION 118X24			
17	LEF142001	1	LABEL SPRAY CAUTION 115			
18	LEF143001	1	LABEL BELT OPERATION 89X20			

11.DOCUMENT SCANNER



11. DOCUMENT SCANNER

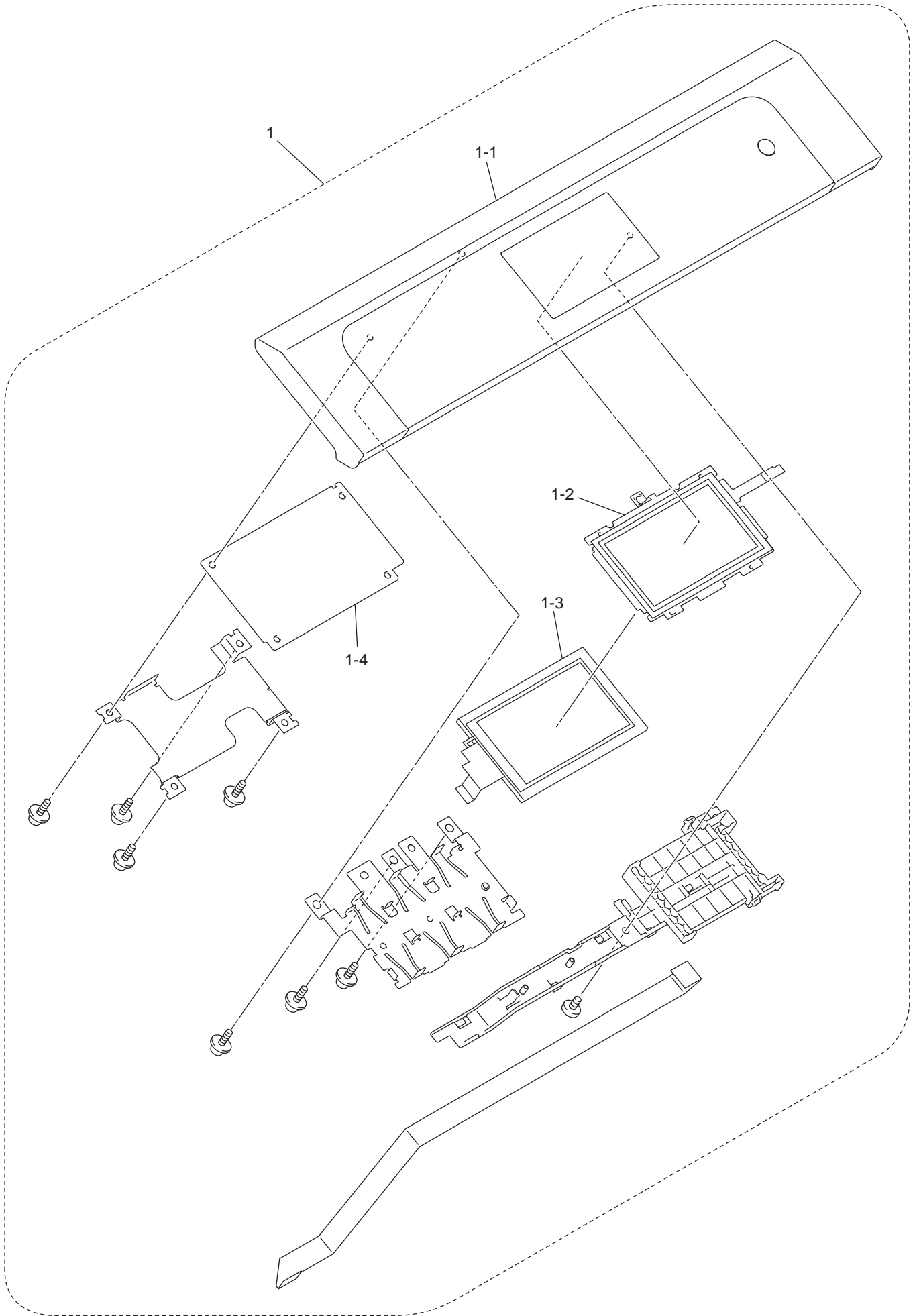
REF No.	CODE	Q'T Y	DESCRIPTION	MODEL	SPEC	REMARKS
1	LEF378002	1	DOCUMENT SCANNER UNIT (SP)	DCP-9020CDW		
1	LEF378002	1	DOCUMENT SCANNER UNIT (SP)	MFC-9130CW		
1	LEF378001	1	DOCUMENT SCANNER UNIT (SP)	MFC-9140CDN		
1	LEF378001	1	DOCUMENT SCANNER UNIT (SP)	MFC-9330CDW		
1	LEF381001	1	DOCUMENT SCANNER UNIT (SP)	MFC-9340CDW		
1-1	LT1713001	1	FIRST SIDE CIS UNIT			
1-2	LT2224001	1	FIRST SIDE CIS FLAT CABLE			
1-3	LX5186001	1	ADF CLEAN UP LABEL	DCP-9020CDW		
1-3	LX5186001	1	ADF CLEAN UP LABEL	MFC-9130CW		
1-3	LX5186001	1	ADF CLEAN UP LABEL	MFC-9140CDN		
1-3	LX5186001	1	ADF CLEAN UP LABEL	MFC-9330CDW		
1-3	LX7422001	1	ADF CLEAN UP LABEL	MFC-9340CDW		
1-4	LU5693001	6	TAPTITE BIND B M4X12			



12. ADF

REF No.	CODE	Q'T Y	DESCRIPTION	MODEL	SPEC	REMARKS
1	LEF374001	1	ADF UNIT (SP)	DCP-9020CDW		
1	LEF374001	1	ADF UNIT (SP)	MFC-9130CW		
1	LEF374001	1	ADF UNIT (SP)	MFC-9140CDN		
1	LEF374001	1	ADF UNIT (SP)	MFC-9330CDW		
1	LEF377001	1	ADF UNIT (SP)	MFC-9340CDW		
1-1	LEF125001	1	DOCUMENT COVER ASSY			
1-1-1	LX4184001	1	ADF DOCUMENT OUTPUT SUPPORT FLAP			
1-1-2	LS8141001	1	HINGE ARM R			
1-2	LX4064001	1	ADF MOTOR			
1-3	LG6753001	1	FIRST SIDE DOCUMENT SCANNING POSITION SENSOR PCB ASSY	DCP-9020CDW		
1-3	LG6753001	1	FIRST SIDE DOCUMENT SCANNING POSITION SENSOR PCB ASSY	MFC-9130CW		
1-3	LG6753001	1	FIRST SIDE DOCUMENT SCANNING POSITION SENSOR PCB ASSY	MFC-9140CDN		
1-3	LG6753001	1	FIRST SIDE DOCUMENT SCANNING POSITION SENSOR PCB ASSY	MFC-9330CDW		
1-3	LG6753001	1	FIRST SIDE DOCUMENT SCANNING POSITION SENSOR PCB ASSY	MFC-9340CDW		
1-4	LG6753001	1	SECOND SIDE DOCUMENT SCANNING POSITION SENSOR PCB	MFC-9340CDW		
1-5	LT1120001	1	ADF COVER/DOCUMENT DETECTION SENSOR PCB ASSY			
1-6	LX8675001	1	DOCUMENT FEED ROLLER ASSY2			
1-7	LX5477001	2	EJECT FILM			
1-8	LX4095001	1	ADF SEPARATION PAD SPRING			
1-9	LX9751001	1	ADF SEPARATION PAD HOLDER ASSY			
1-10	LX4188001	2	PAPER STACK LEVER			
1-11	LT2235001	1	SECOND SIDE CIS UNIT	MFC-9340CDW		
1-12	LT2236001	1	SECOND SIDE CIS FLAT CABLE	MFC-9340CDW		
1-13	LEF118001	1	FLAT CABLE SPONGE2	MFC-9340CDW		
1-14	LX4097001	1	CIS GLASS	MFC-9340CDW		
1-15	LX4098001	1	CIS GLASS STOPPER	MFC-9340CDW		
1-16	LX9030001	2	CIS SPACER	MFC-9340CDW		
1-17	LX9296001	1	DOCUMENT SEPARATE ROLLER ASSY	DCP-9020CDW		
1-17	LX9296001	1	DOCUMENT SEPARATE ROLLER ASSY	MFC-9130CW		
1-17	LX9296001	1	DOCUMENT SEPARATE ROLLER ASSY	MFC-9140CDN		
1-17	LX9296001	1	DOCUMENT SEPARATE ROLLER ASSY	MFC-9330CDW		
1-17	LX9297001	1	DOCUMENT SEPARATE ROLLER ASSY	MFC-9340CDW		
1-18	LEF077001	1	GEAR COVER			
1-19	LX5042002	1	ADF COVER ASSY	DCP-9020CDW		
1-19	LX5042002	1	ADF COVER ASSY	MFC-9130CW		
1-19	LX5042002	1	ADF COVER ASSY	MFC-9140CDN		
1-19	LX5042002	1	ADF COVER ASSY	MFC-9330CDW		
1-19	LEF144001	1	ADF COVER ASSY	MFC-9340CDW		
1-20	LX5371001	1	ADF DOCUMENT SUPPORT			
1-21	LX9168001	1	DOCUMENT FEED ROLLER ASSY1	MFC-9340CDW		
2	LX5255003	1	HINGE ASSY L	DCP-9020CDW		
2	LX5255003	1	HINGE ASSY L	MFC-9130CW		
2	LX5255003	1	HINGE ASSY L	MFC-9140CDN		
2	LX5255003	1	HINGE ASSY L	MFC-9330CDW		
2	LX4126001	1	HINGE ASSY L	MFC-9340CDW		
3	LX5180010	1	HINGE R			
4	LS8155001	1	HINGE R SUPPORT			
5	LEF322001	1	FLAT CABLE HOLDER ASSY (SP)	MFC-9340CDW		

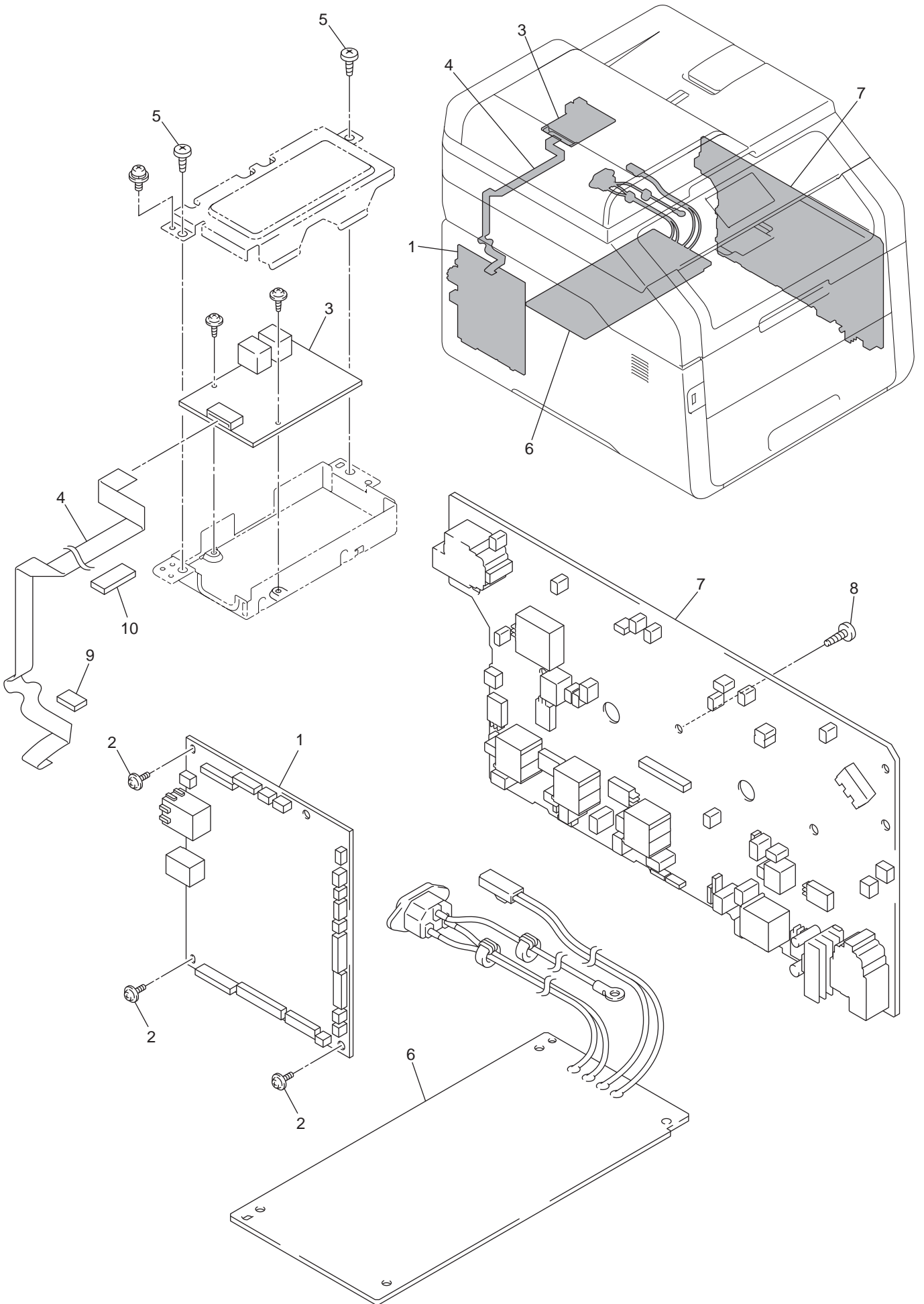
13.PANEL



13. PANEL

REF No.	CODE	Q'T Y	DESCRIPTION	MODEL	SPEC	REMARKS
1	LEF129001	1	CONTROL PANEL ASSY	DCP-9020CDW		
1	LEF131001	1	CONTROL PANEL ASSY	MFC-9130CW		
1	LEF133001	1	CONTROL PANEL ASSY	MFC-9140CDN		
1	LEF174001	1	CONTROL PANEL ASSY	MFC-9330CDW		
1	LEF078001	1	CONTROL PANEL ASSY	MFC-9340CDW		
1-1	LEF313001	1	PANEL COVER ASSY (SP)	DCP-9020CDW		
1-1	LEF315001	1	PANEL COVER ASSY (SP)	MFC-9130CW		
1-1	LEF316001	1	PANEL COVER ASSY (SP)	MFC-9140CDN		
1-1	LEF317001	1	PANEL COVER ASSY (SP)	MFC-9330CDW		
1-1	LEF318001	1	PANEL COVER ASSY (SP)	MFC-9340CDW		
1-2	LEF083001	1	TOUCH PANEL ASSY			
1-3	A63291001	1	LCD			
1-4	LT2237001	1	PANEL CONTROL PCB ASSY			

14.PCB

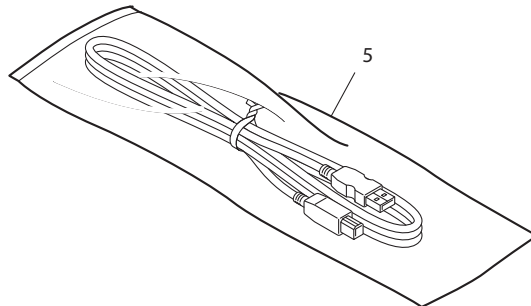
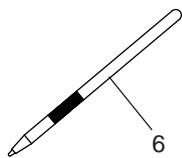
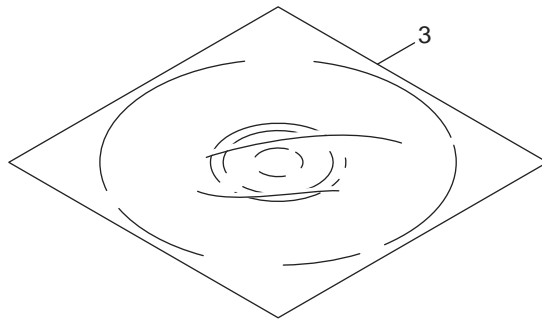
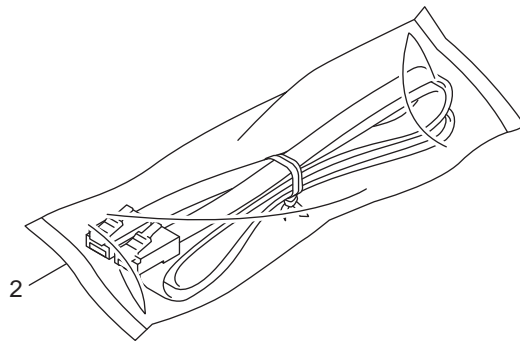
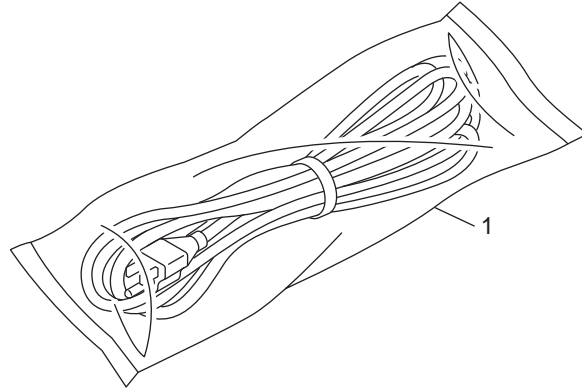


14. PCB

REF No.	CODE	QTY	DESCRIPTION	MODEL	SPEC	REMARKS
1	LT2481001	1	MAIN PCB B57T054 ASSY5 DCLFB	DCP-9020CDW		
1	LT2282001	1	MAIN PCB B57T054 ASSY1 DCLFB	MFC-9130CW	EXCEPT FOR FSUS	
1	LT2282051	1	MAIN PCB B57T054 ASSY1 DCLFB (*)	MFC-9130CW	FOR FSUS	
1	LT2283001	1	MAIN PCB B57T054 ASSY2 DCLFB	FS		
1	LT2284001	1	MAIN PCB B57T054 ASSY3 DCLFB	MFC-9140CDN	EXCEPT FOR FSUS	
1	LT2284051	1	MAIN PCB B57T054 ASSY3 DCLFB (*)	MFC-9330CDW	FOR FSUS	
1	LT2242001	1	MAIN PCB B57T054 ASSY4 DCLFB	FS		
1	LT2242051	1	MAIN PCB B57T054 ASSY4 DCLFB (*)	MFC-9340CDW	EXCEPT FOR FSUS	
2	LP2378001	3	TAPTITE CUP S M3X8 SR	MFC-9340CDW	FOR FSUS	
3	LT2758021	1	MODEM PCB B57T093 ASSY	FS		
3	LT2759031	1	MODEM PCB B57T093 ASSY	MFC-9130CW		
3	LT2759031	1	MODEM PCB B57T093 ASSY	MFC-9140CDN	FOR GER/UK/CHE/FRA/BEL/NLD/IBR/ITA	
3	LT2758021	1	MODEM PCB B57T093 ASSY	MFC-9140CDN	FOR ARL/NZ	
3	LT2758021	1	MODEM PCB B57T093 ASSY	MFC-9330CDW	FOR US/CAN/ARL/NZ	
3	LT2759031	1	MODEM PCB B57T093 ASSY	MFC-9330CDW	FOR GER/UK/CHE/ITA/IBR/RUS/FRA/BEL/NLD/PND	
3	LT2758021	1	MODEM PCB B57T093 ASSY	MFC-9340CDW	FOR US	
3	LT2759031	1	MODEM PCB B57T093 ASSY	MFC-9340CDW	FOR GER/UK/CHE/ITA/IBR/FRA/BEL/NLD	
4	LT2246001	1	MODEM FLAT CABLE	MFC-9130CW		
4	LT2246001	1	MODEM FLAT CABLE	MFC-9140CDN		
4	LT2246001	1	MODEM FLAT CABLE	MFC-9330CDW		
4	LT2246001	1	MODEM FLAT CABLE	MFC-9340CDW		
5	LU5693001	2	TAPTITE BIND B M4X12	MFC-9130CW		
5	LU5693001	2	TAPTITE BIND B M4X12	MFC-9140CDN		
5	LU5693001	2	TAPTITE BIND B M4X12	MFC-9330CDW		
5	LU5693001	2	TAPTITE BIND B M4X12	MFC-9340CDW		
6	LT2249001	1	LOW-VOLTAGE POWER SUPPLY PCB ASSY 230V	DCP-9020CDW		
6	LT2247001	1	LOW-VOLTAGE POWER SUPPLY PCB ASSY 115V	MFC-9130CW		
6	LT2249001	1	LOW-VOLTAGE POWER SUPPLY PCB ASSY 230V	MFC-9140CDN		
6	LT2247001	1	LOW-VOLTAGE POWER SUPPLY PCB ASSY 115V	MFC-9330CDW	FOR US/CAN	
6	LT2249001	1	LOW-VOLTAGE POWER SUPPLY PCB ASSY 230V	MFC-9330CDW	FOR GER/UK/CHE/ITA/IBR//RUS/FRA/BEL/NLD/ARL/NZ/PND	
6	LT2247001	1	LOW-VOLTAGE POWER SUPPLY PCB ASSY 115V	MFC-9340CDW	FOR US	
6	LT2249001	1	LOW-VOLTAGE POWER SUPPLY PCB ASSY 230V	MFC-9340CDW	FOR GER/UK/CHE/ITA/IBR/FRA/BEL/NLD	
6	LT2686001	1	LOW-VOLTAGE POWER SUPPLY PCB ASSY 230V	MFC-9330CDW	FOR RUS	ADD
7	LV0928001	1	HIGHT-VOLTAGE POWER SUPPLY PCB ASSY			
8	LU5693001	1	TAPTITE BIND B M4X12			
9	LEF118001	1	FLAT CABLE SPONGE2	MFC-9130CW		
9	LEF118001	1	FLAT CABLE SPONGE2	MFC-9140CDN		
9	LEF118001	1	FLAT CABLE SPONGE2	MFC-9330CDW		
9	LEF118001	1	FLAT CABLE SPONGE2	MFC-9340CDW		
10	LEF164001	1	FLAT CABLE SPONGE3	MFC-9130CW		
10	LEF164001	1	FLAT CABLE SPONGE3	MFC-9140CDN		
10	LEF164001	1	FLAT CABLE SPONGE3	MFC-9330CDW		
10	LEF164001	1	FLAT CABLE SPONGE3	MFC-9340CDW		

(*) First 3-months production only

15. ACCESSORIES



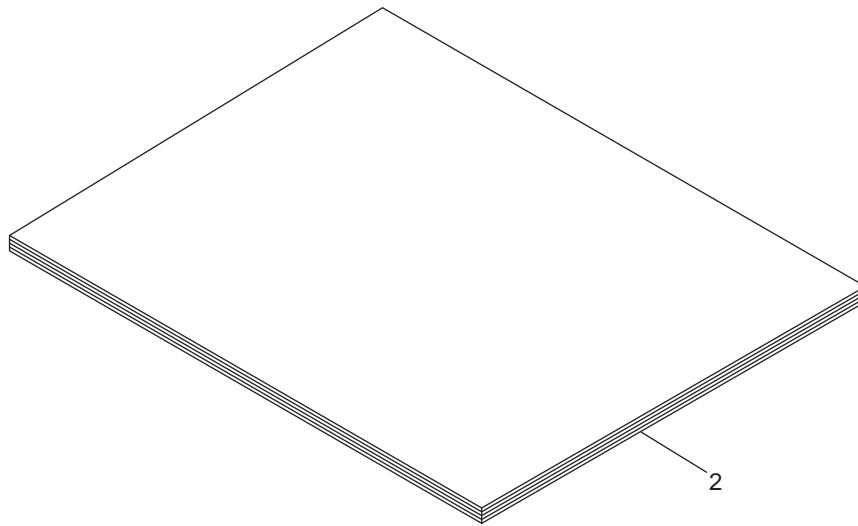
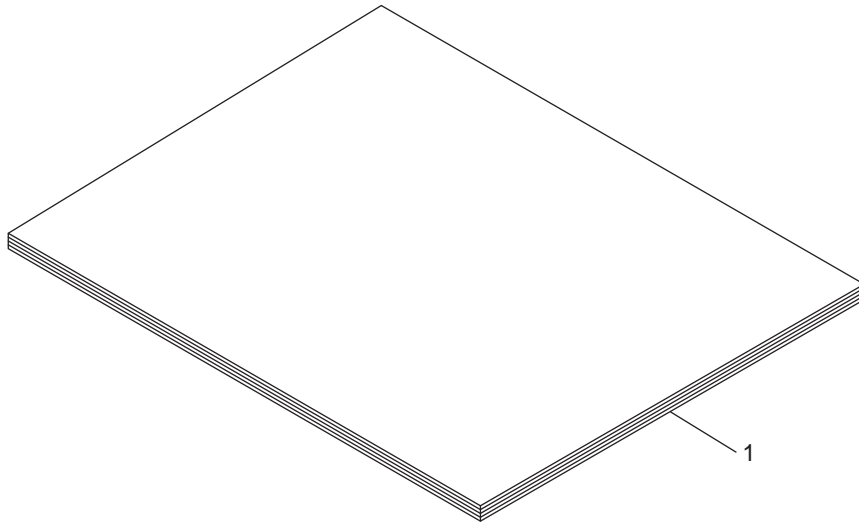
15. ACCESSORIES

REF No.	CODE	Q'T Y	DESCRIPTION	MODEL	SPEC	REMARKS
1	LM9362001	1	AC CORD BAG ASSY LF UL/CSA	MFC-9130CW		
1	LM9362001	1	AC CORD BAG ASSY LF UL/CSA	MFC-9330CDW	FOR US/CAN	
1	LM9362001	1	AC CORD BAG ASSY LF UL/CSA	MFC-9340CDW	FOR US	
1	LV0364001	1	AC CORD BAG ASSY LF VDE S	DCP-9020CDW	FOR GER/ITA/IBR/FRA/BEL/NLD/ PND	
1	LV0364001	1	AC CORD BAG ASSY LF VDE S	MFC-9140CDN	FOR GER/ITA/IBR/FRA/BEL/NLD/ IBR	
1	LV0364001	1	AC CORD BAG ASSY LF VDE S	MFC-9330CDW	FOR GER/ITA/IBR/RUS/ FRA/BEL/NLD/PND	
1	LV0364001	1	AC CORD BAG ASSY LF VDE S	MFC-9340CDW	FOR GER/ITA/IBR/FRA/BEL/NLD	
1	LV0368001	1	AC CORD BAG ASSY LF BS/PSB S	DCP-9020CDW	FOR UK	
1	LV0368001	1	AC CORD BAG ASSY LF BS/PSB S	MFC-9140CDN	FOR UK	
1	LV0368001	1	AC CORD BAG ASSY LF BS/PSB S	MFC-9330CDW	FOR UK	
1	LV0368001	1	AC CORD BAG ASSY LF BS/PSB S	MFC-9340CDW	FOR UK	
1	LT2259001	1	AC CORD BAG ASSY LF SEV	DCP-9020CDW	FOR CHE	
1	LT2259001	1	AC CORD BAG ASSY LF SEV	MFC-9140CDN	FOR CHE	
1	LT2259001	1	AC CORD BAG ASSY LF SEV	MFC-9330CDW	FOR CHE	
1	LT2259001	1	AC CORD BAG ASSY LF SEV	MFC-9340CDW	FOR CHE	
1	LG4720001	1	AC CORD BAG ASSY LF DEMKO	DCP-9020CDW	FOR PND	
1	LG4720001	1	AC CORD BAG ASSY LF DEMKO	MFC-9330CDW	FOR PND	
2	LG3077001	1	TELEPHONE LINE CORD CSA	MFC-9130CW		
2	LG3077001	1	TELEPHONE LINE CORD CSA	MFC-9140CDN	FOR UK/FRA/BEL/NLD/ARL/NZ/IBR	
2	LG3077001	1	TELEPHONE LINE CORD CSA	MFC-9330CDW	FOR US/CAN/UK/ITA/IBR/RUS/ FRA/BEL/NLD/ARL/NZ	
2	LG3077001	1	TELEPHONE LINE CORD CSA	MFC-9340CDW	FOR US/UK/ITA/IBR/FRA/BEL/NLD	
2	UG3625001	1	TELEPHONE LINE CORD ASSY GER	MFC-9140CDN	FOR GER	
2	UG3625001	1	TELEPHONE LINE CORD ASSY GER	MFC-9330CDW	FOR GER	
2	UG3625001	1	TELEPHONE LINE CORD ASSY GER	MFC-9340CDW	FOR GER	
2	LG7202001	1	TELEPHONE LINE CORD ASSY SWI	MFC-9140CDN	FOR CHE	
2	LG7202001	1	TELEPHONE LINE CORD ASSY SWI	MFC-9330CDW	FOR CHE	
2	LG7202001	1	TELEPHONE LINE CORD ASSY SWI	MFC-9340CDW	FOR CHE	
2	UG3634001	1	TELEPHONE LINE CORD ITA	MFC-9140CDN	FOR ITA/IBR	
2	UG3634001	1	TELEPHONE LINE CORD ITA	MFC-9330CDW	FOR ITA/IBR	
2	UG3634001	1	TELEPHONE LINE CORD ITA	MFC-9340CDW	FOR ITA/IBR	
2	UG4205001	1	TELEPHONE LINE CORD ASSY AUS	MFC-9140CDN	FOR GER	
2	UG4205001	1	TELEPHONE LINE CORD ASSY AUS	MFC-9330CDW	FOR GER	
2	UG4205001	1	TELEPHONE LINE CORD ASSY AUS	MFC-9340CDW	FOR GER	
2	UG3626001	1	TELEPHONE LINE CORD UK6P	MFC-9140CDN	FOR UK	
2	UG3626001	1	TELEPHONE LINE CORD UK6P	MFC-9330CDW	FOR UK	
2	UG3626001	1	TELEPHONE LINE CORD UK6P	MFC-9340CDW	FOR UK	
2	UG3627001	1	TELEPHONE LINE CORD ASSY FRA	MFC-9140CDN	FOR FRA/BEL/NLD	
2	UG3627001	1	TELEPHONE LINE CORD ASSY FRA	MFC-9330CDW	FOR FRA/BEL/NLD	
2	UG3627001	1	TELEPHONE LINE CORD ASSY FRA	MFC-9340CDW	FOR FRA/BEL/NLD	
2	UG3290001	1	TELEPHONE LINE CORD NZ	MFC-9140CDN	FOR ARL/NZ	
2	LG5827001	1	TELEPHONE LINE CORD RJ45	MFC-9330CDW	FOR PND	
3	LEF159001	1	CDROM ASSY	DCP-9020CDW	FOR GER/UK/CHE/ITA/IBR/ FRA/BEL/NLD	
3	LEF155001	1	CDROM ASSY	DCP-9020CDW	FOR PND	
3	LEF152001	1	CDROM ASSY	MFC-9130CW	FOR US	
3	LEF422001	1	CDROM ASSY	MFC-9130CW	FOR CAN	
3	LEF153001	1	CDROM ASSY	MFC-9140CDN	FOR GER/UK/CHE/ITA/IBR/ FRA/BEL/NLD/IBR	
3	LEF421001	1	CDROM ASSY	MFC-9140CDN	FOR ARL/NZ	
3	LEF152001	1	CDROM ASSY	MFC-9330CDW	FOR US	
3	LEF422001	1	CDROM ASSY	MFC-9330CDW	FOR CAN	
3	LEF153001	1	CDROM ASSY	MFC-9330CDW	FOR GER/UK/CHE/ITA/IBR/ FRA/BEL/NLD	
3	LEF156001	1	CDROM ASSY	MFC-9330CDW	FOR RUS	
3	LEF421001	1	CDROM ASSY	MFC-9330CDW	FOR ARL/NZ	
3	LEF154001	1	CDROM ASSY	MFC-9330CDW	FOR PND	
3	LEF152001	1	CDROM ASSY	MFC-9340CDW	FOR US	
3	LEF153001	1	CDROM ASSY	MFC-9340CDW	FOR GER/UK/CHE/ITA/IBR/ FRA/BEL/NLD	
(4)	UG1575001	1	TELEPHONE LINE CORD BEL	MFC-9140CDN	FOR FRA/BEL/NLD	
(4)	UG1575001	1	TELEPHONE LINE CORD BEL	MFC-9330CDW	FOR FRA/BEL/NLD	

15. ACCESSORIES

REF No.	CODE	Q'T Y	DESCRIPTION	MODEL	SPEC	REMARKS
(4)	UG1575001	1	TELEPHONE LINE CORD BEL	MFC-9340CDW	FOR FRA/BEL/NLD	
(4)	LG3622001	1	TELEPHONE PLUG DUT	MFC-9140CDN	FOR FRA/BEL/NLD	
(4)	LG3622001	1	TELEPHONE PLUG DUT	MFC-9330CDW	FOR FRA/BEL/NLD	
(4)	LG3622001	1	TELEPHONE PLUG DUT	MFC-9340CDW	FOR FRA/BEL/NLD	
(4)	LG6573001	1	TELEPHONE PLUG ARL	MFC-9140CDN	FOR ARL/NZ	
(4)	LG6573001	1	TELEPHONE PLUG ARL	MFC-9330CDW	FOR ARL/NZ	
(4)	LG5829001	1	TELEPHONE PLUG FIN	MFC-9330CDW	FOR PND	
(4)	LG5828001	1	TELEPHONE PLUG DEN	MFC-9330CDW	FOR PND	
(4)	LG5830001	1	TELEPHONE PLUG SWE	MFC-9330CDW	FOR PND	
5	LJ9803001	1	USB CABLE 2.0			
6	XA9940051	1	STYRUS			

16. PRINTED MATERIALS



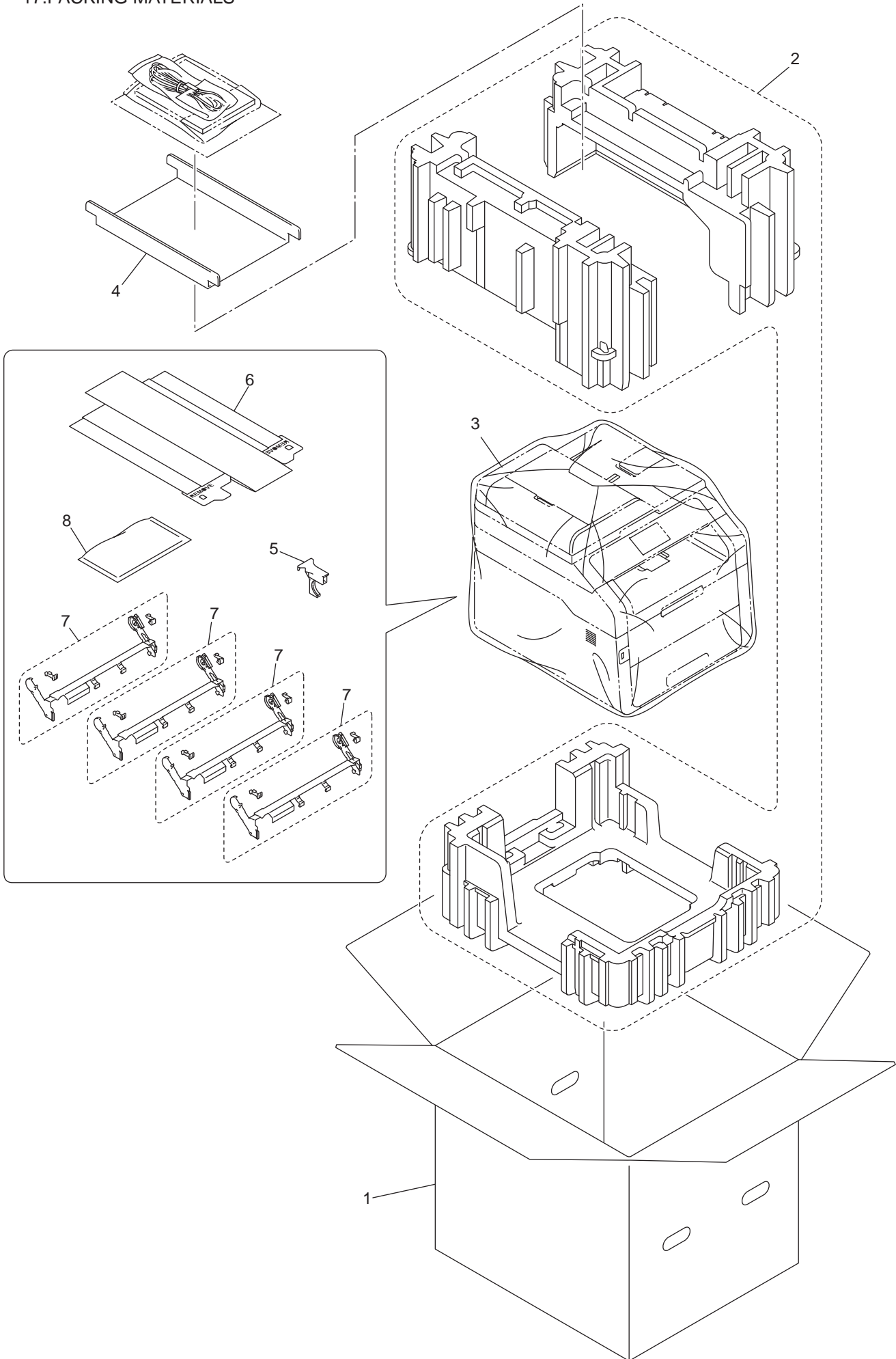
16. PRINTED MATERIALS

REF No.	CODE	Q'T Y	DESCRIPTION	MODEL	SPEC	REMARKS
1	LEF333001	1	USER'S GUIDE (ENGLISH)	MFC-9130CW		
1	LEF333001	1	USER'S GUIDE (ENGLISH)	MFC-9330CDW	FOR US/CAN	
1	LEF333001	1	USER'S GUIDE (ENGLISH)	MFC-9340CDW	FOR US	
1	LEF333002	1	USER'S GUIDE (FRENCH)	MFC-9130CW	FOR CAN	
1	LEF333002	1	USER'S GUIDE (FRENCH)	MFC-9330CDW	FOR CAN	
1	LEF337003	1	USER'S GUIDE (GERMAN)	MFC-9140CDN	FOR GER/CHE	
1	LEF337003	1	USER'S GUIDE (GERMAN)	MFC-9330CDW	FOR GER/CHE	
1	LEF337003	1	USER'S GUIDE (GERMAN)	MFC-9340CDW	FOR GER/CHE	
1	LEF337004	1	USER'S GUIDE (ENGLISH)	MFC-9140CDN	FOR UK	
1	LEF337004	1	USER'S GUIDE (ENGLISH)	MFC-9330CDW	FOR UK	
1	LEF337004	1	USER'S GUIDE (ENGLISH)	MFC-9340CDW	FOR UK	
1	LEF337005	1	USER'S GUIDE (FRENCH)	MFC-9140CDN	FOR CHE/FRA/BEL/NLD	
1	LEF337005	1	USER'S GUIDE (FRENCH)	MFC-9330CDW	FOR CHE/FRA/BEL/NLD	
1	LEF337005	1	USER'S GUIDE (FRENCH)	MFC-9340CDW	FOR CHE/FRA/BEL/NLD	
1	LEF337009	1	USER'S GUIDE (DUTCH)	MFC-9140CDN	FOR FRA/BEL/NLD	
1	LEF337009	1	USER'S GUIDE (DUTCH)	MFC-9330CDW	FOR FRA/BEL/NLD	
1	LEF337009	1	USER'S GUIDE (DUTCH)	MFC-9340CDW	FOR FRA/BEL/NLD	
1	LEF339007	1	USER'S GUIDE (NORWEGIAN/SWEDISH)	MFC-9330CDW	FOR PND	
1	LEF339013	1	USER'S GUIDE (DANISH/FINNISH)	MFC-9330CDW	FOR PND	
1	LEF337015	1	USER'S GUIDE (SPANISH)	MFC-9140CDN	FOR IBR	
1	LEF337015	1	USER'S GUIDE (SPANISH)	MFC-9330CDW	FOR ITA/IBR	
1	LEF337015	1	USER'S GUIDE (SPANISH)	MFC-9340CDW	FOR ITA/IBR	
1	LEF337016	1	USER'S GUIDE (ITALIAN)	MFC-9140CDN	FOR ITA/IBR	
1	LEF337016	1	USER'S GUIDE (ITALIAN)	MFC-9330CDW	FOR ITA/IBR	
1	LEF337016	1	USER'S GUIDE (ITALIAN)	MFC-9340CDW	FOR ITA/IBR	
1	LEF337018	1	USER'S GUIDE (PORTUGUESE)	MFC-9140CDN	FOR IBR	
1	LEF337018	1	USER'S GUIDE (PORTUGUESE)	MFC-9330CDW	FOR ITA/IBR	
1	LEF337018	1	USER'S GUIDE (PORTUGUESE)	MFC-9340CDW	FOR ITA/IBR	
1	LEF340040	1	USER'S GUIDE (ENGLISH)	MFC-9140CDN	FOR ARL/NZ	
1	LEF340040	1	USER'S GUIDE (ENGLISH)	MFC-9330CDW	FOR ARL/NZ	
1	LEF337048	1	USER'S GUIDE	MFC-9330CDW	FOR RUS	
2	LEF334001	1	QUICK SETUP GUIDE (ENGLISH)	MFC-9130CW		
2	LEF334001	1	QUICK SETUP GUIDE (ENGLISH)	MFC-9330CDW	FOR US/CAN	
2	LEF334001	1	QUICK SETUP GUIDE (ENGLISH)	MFC-9340CDW	FOR US	
2	LEF334002	1	QUICK SETUP GUIDE (FRENCH)	MFC-9130CW	FOR CAN	
2	LEF334002	1	QUICK SETUP GUIDE (FRENCH)	MFC-9330CDW	FOR CAN	
2	LEF347003	1	QUICK SETUP GUIDE (GERMAN)	DCP-9020CDW	FOR GER/CHE	
2	LEF338003	1	QUICK SETUP GUIDE (GERMAN)	MFC-9140CDN	FOR GER/CHE	
2	LEF338003	1	QUICK SETUP GUIDE (GERMAN)	MFC-9330CDW	FOR GER/CHE	
2	LEF338003	1	QUICK SETUP GUIDE (GERMAN)	MFC-9340CDW	FOR GER/CHE	
2	LEF347004	1	QUICK SETUP GUIDE (ENGLISH)	DCP-9020CDW	FOR UK	
2	LEF338004	1	QUICK SETUP GUIDE (ENGLISH)	MFC-9140CDN	FOR UK	
2	LEF338004	1	QUICK SETUP GUIDE (ENGLISH)	MFC-9330CDW	FOR UK	
2	LEF338004	1	QUICK SETUP GUIDE (ENGLISH)	MFC-9340CDW	FOR UK	
2	LEF347005	1	QUICK SETUP GUIDE (FRENCH)	DCP-9020CDW	FOR CHE/FRA/BEL/NLD	
2	LEF338005	1	QUICK SETUP GUIDE (FRENCH)	MFC-9140CDN	FOR CHE/FRA/BEL/NLD	
2	LEF338005	1	QUICK SETUP GUIDE (FRENCH)	MFC-9330CDW	FOR CHE/FRA/BEL/NLD	
2	LEF338005	1	QUICK SETUP GUIDE (FRENCH)	MFC-9340CDW	FOR CHE/FRA/BEL/NLD	
2	LEF347007	1	QUICK SETUP GUIDE (NORWEGIAN)	DCP-9020CDW	FOR PND	
2	LEF338007	1	QUICK SETUP GUIDE (NORWEGIAN)	MFC-9330CDW	FOR PND	
2	LEF347012	1	QUICK SETUP GUIDE (FINNISH)	DCP-9020CDW	FOR PND	
2	LEF338012	1	QUICK SETUP GUIDE (FINNISH)	MFC-9330CDW	FOR PND	
2	LEF347013	1	QUICK SETUP GUIDE (DANISH)	DCP-9020CDW	FOR PND	
2	LEF338013	1	QUICK SETUP GUIDE (DANISH)	MFC-9330CDW	FOR PND	
2	LEF347026	1	QUICK SETUP GUIDE (SWEDISH)	DCP-9020CDW	FOR PND	
2	LEF338026	1	QUICK SETUP GUIDE (SWEDISH)	MFC-9330CDW	FOR PND	
2	LEF347009	1	QUICK SETUP GUIDE (DUTCH)	DCP-9020CDW	FOR FRA/BEL/NLD	
2	LEF338009	1	QUICK SETUP GUIDE (DUTCH)	MFC-9140CDN	FOR FRA/BEL/NLD	
2	LEF338009	1	QUICK SETUP GUIDE (DUTCH)	MFC-9330CDW	FOR FRA/BEL/NLD	
2	LEF338009	1	QUICK SETUP GUIDE (DUTCH)	MFC-9340CDW	FOR FRA/BEL/NLD	
2	LEF347015	1	QUICK SETUP GUIDE (SPANISH)	DCP-9020CDW	FOR ITA/IBR	
2	LEF338015	1	QUICK SETUP GUIDE (SPANISH)	MFC-9140CDN	FOR IBR	
2	LEF338015	1	QUICK SETUP GUIDE (SPANISH)	MFC-9330CDW	FOR ITA/IBR	
2	LEF338015	1	QUICK SETUP GUIDE (SPANISH)	MFC-9340CDW	FOR ITA/IBR	
2	LEF347016	1	QUICK SETUP GUIDE (ITALIAN)	DCP-9020CDW	FOR CHE/ITA/IBR	
2	LEF338016	1	QUICK SETUP GUIDE (ITALIAN)	MFC-9140CDN	FOR CHE/ITA/IBR	
2	LEF338016	1	QUICK SETUP GUIDE (ITALIAN)	MFC-9330CDW	FOR CHE/ITA/IBR	
2	LEF338016	1	QUICK SETUP GUIDE (ITALIAN)	MFC-9340CDW	FOR CHE/ITA/IBR	
2	LEF347018	1	QUICK SETUP GUIDE (PORTUGUESE)	DCP-9020CDW	FOR ITA/IBR	
2	LEF338018	1	QUICK SETUP GUIDE (PORTUGUESE)	MFC-9140CDN	FOR IBR	
2	LEF338018	1	QUICK SETUP GUIDE (PORTUGUESE)	MFC-9330CDW	FOR ITA/IBR	

16. PRINTED MATERIALS

REF No.	CODE	Q'T Y	DESCRIPTION	MODEL	SPEC	REMARKS
2	LEF338018	1	QUICK SETUP GUIDE (PORTUGUESE)	MFC-9340CDW	FOR ITA/IBR	
2	LEF338048	1	QUICK SETUP GUIDE	MFC-9330CDW	FOR RUS	
2	LEF341040	1	QUICK SETUP GUIDE (ENGLISH)	MFC-9140CDN	FOR ARL/NZ	
2	LEF341040	1	QUICK SETUP GUIDE (ENGLISH)	MFC-9330CDW	FOR ARL/NZ	

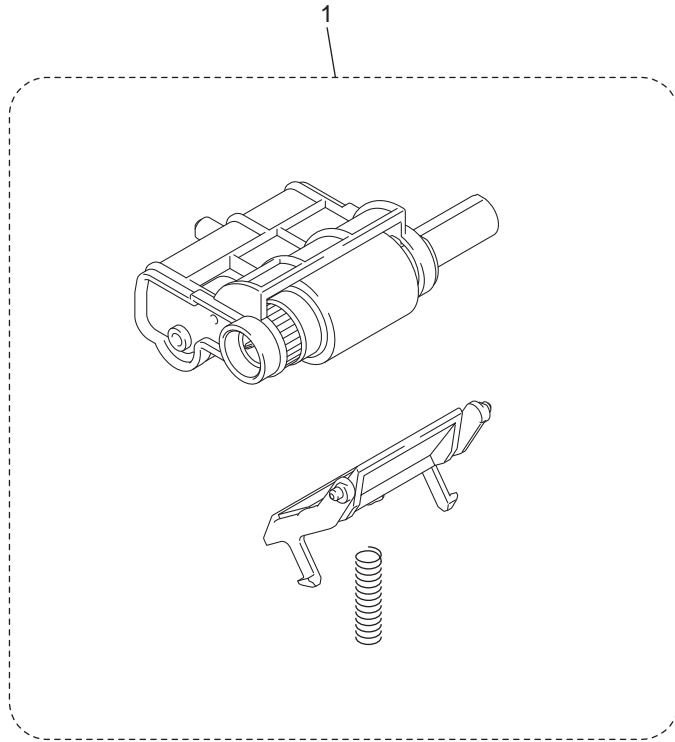
17.PACKING MATERIALS



17. PACKING MATERIALS

REF No.	CODE	Q'T Y	DESCRIPTION	MODEL	SPEC	REMARKS
1	LEF214001	1	CARTON BROTHER	DCP-9020CDW		
1	LEF183001	1	CARTON BROTHER	MFC-9130CW	FOR US	
1	LEF187001	1	CARTON BROTHER	MFC-9130CW	FOR CAN	
1	LEF215001	1	CARTON BROTHER	MFC-9140CDN	FOR GER/UK/CHE/ITA/IBR/ FRA/BEL/NLD/IBR	
1	LEF232001	1	CARTON BROTHER	MFC-9140CDN	FOR ARL/NZ	
1	LEF188001	1	CARTON BROTHER	MFC-9330CDW	FOR US	
1	LEF192001	1	CARTON BROTHER	MFC-9330CDW	FOR CAN	
1	LEF216001	1	CARTON BROTHER	MFC-9330CDW	FOR GER/UK/CHE/ITA/IBR/RUS/ FRA/BEL/NLD/PND	
1	LEF236001	1	CARTON BROTHER	MFC-9330CDW	FOR ARL/NZ	
1	LEF196001	1	CARTON BROTHER	MFC-9340CDW	FOR US	
1	LEF218001	1	CARTON BROTHER	MFC-9340CDW	FOR GER/UK/CHE/ITA/IBR/ FRA/BEL/NLD	
2	LEF092001	1	POLYSTYRENE PAD ASSY			
3	LY1721001	1	PE BAG 1000X1000			
4	LEF096001	1	OPTION CARTON			
5	LU6110001	1	CLEANER LOCK			
6	LY6767001	1	REMOVE SHEET ASSY			
7	LY6757001	4	DRUM STOPPER ASSY			
8	LY6785001	1	SILICA GEL	DCP-9020CDW		
8	LY6670001	1	SILICA GEL	MFC-9130CW		
8	LY6785001	1	SILICA GEL	MFC-9140CDN		
8	LY6670001	1	SILICA GEL	MFC-9330CDW	FOR US/CAN	
8	LY6785001	1	SILICA GEL	MFC-9330CDW	FOR GER/UK/CHE/ITA/IBR/RUS/ FRA/BEL/NLD/ARL/NZ/PND	
8	LY6670001	1	SILICA GEL	MFC-9340CDW	FOR US	
8	LY6785001	1	SILICA GEL	MFC-9340CDW	FOR GER/UK/CHE/ITA/IBR/ FRA/BEL/NLD	

18.PERIODICAL MAINTENANCE PARTS



18.PERIODICAL MAINTENANCE PARTS

REF No.	CODE	Q'T Y	DESCRIPTION	MODEL	SPEC	REMARKS
1	LY7418001	1	PAPER FEEDING KIT (SP)			