



FACSIMILE EQUIPMENT

PARTS REFERENCE LIST

MODEL: MFC5440CN / 5840CN

**(For Germany / United Kingdom / France /
Belgium / Netherlands / Switzerland /
Ireland / Austria / Spain / Italy / Portugal /
China / Hong Kong / Singapore / Gulf /
Oceania / Pan-Nordic / Euro Generic)**

© Copyright Brother 2005

All rights reserved

No part of this publication may be reproduced in any form
or by any means without permission in writing from the
publisher.

Specifications are subject to change without prior notice.

NOTES FOR USING THIS PARTS REFERENCE LIST

1. In the case of ordering parts, it needs mentioning the following items:

- (1) Code
- (2) Q' ty
- (3) Description
- (4) Recommend (The √ mark is attached to recommend parts at this column.)
- (5) Symbol (PCB No., Revision, and Parts location mounted on the PCB.)

Note: No orders without Parts Code or Tool No. can be accepted.

[Example]

	(1)	(2)	(3)	(4)	(5)	
REF.NO.	CODE	Q' TY	DESCRIPTION	RECOMMEND	SYMBOL	REMARKS

2. Design-changed parts:

When the parts are changed, any one of the following symbols is mentioned in the REMARKS column.

CHG (chg): The part is changed to a new part.

ADD (add): The part is newly added.

DEL (del): The part is deleted.

Symbol in capital letters indicates that the change is the latest one in the page.

3. The new models started their production, so we release this parts reference list for the new machines. The old and new model, however have the same names although the parts inside are different. Therefore we prepared the new rating label to help you distinguish the difference between the new and the old model by checking out if there is a "Z" or not. The difference is that the new model can be determined by the character "Z" written on the Rating Label affixed to the back of the product.



4. Parts change will be informed by the technical information.

COUNTRIES

GERMANY ---- GER

UNITED KINGDOM ---- UK

FRANCE ---- FRA

BELGIUM ---- BEL

NETHERLANDS ---- NLD

SWITZERLAND ---- CHE

IRELAND ---- IRE

AUSTRIA ---- AUS

SPAIN ---- SPA

ITALY ---- ITA

PORTUGAL ---- POR

CHINA ---- CHN

HONG KONG ---- HK

SINGAPORE ---- SIN

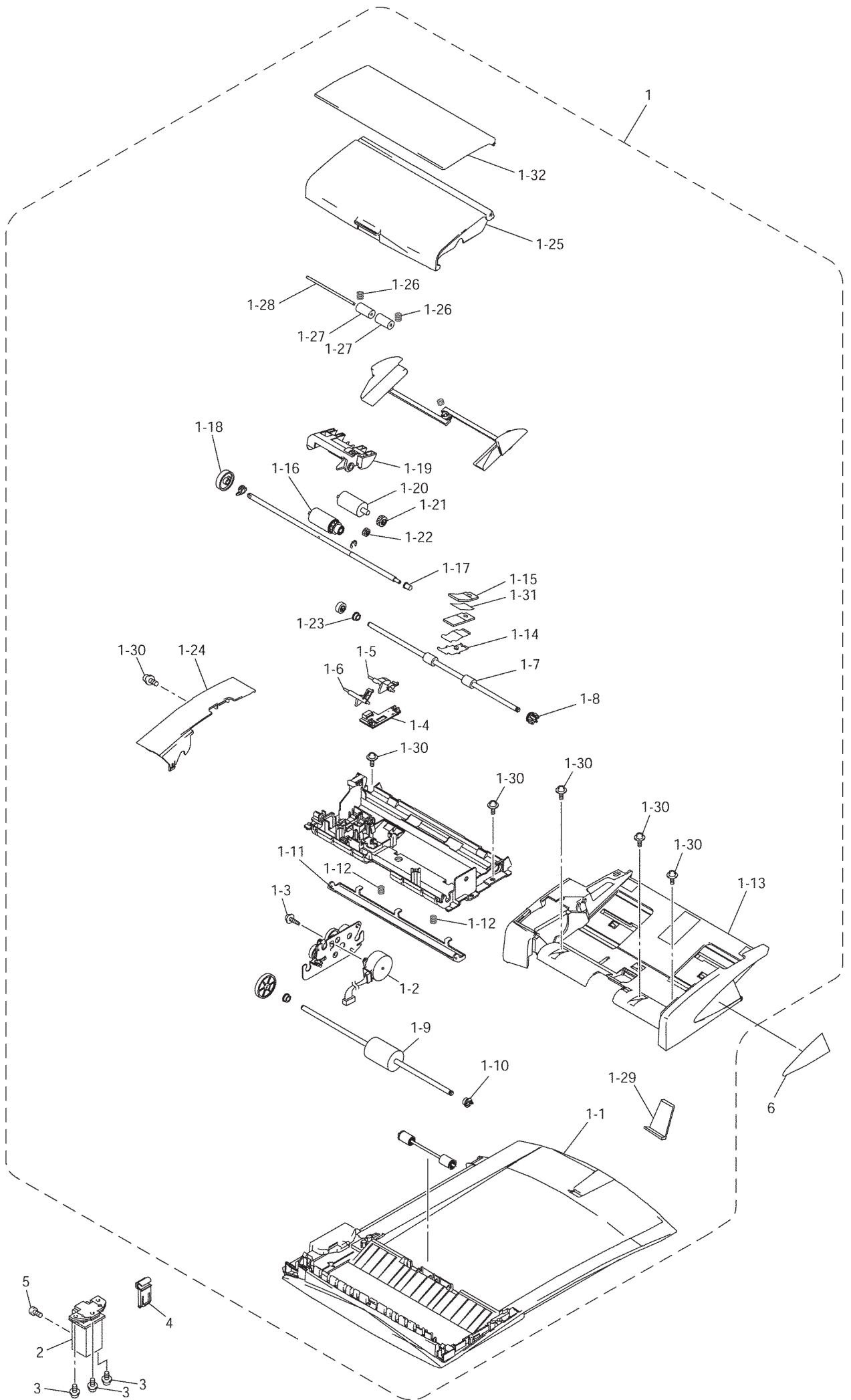
GULF ---- GUL

OCEANIA (ARL & NZ) ---- OCE

PAN NORDIC ---- PND

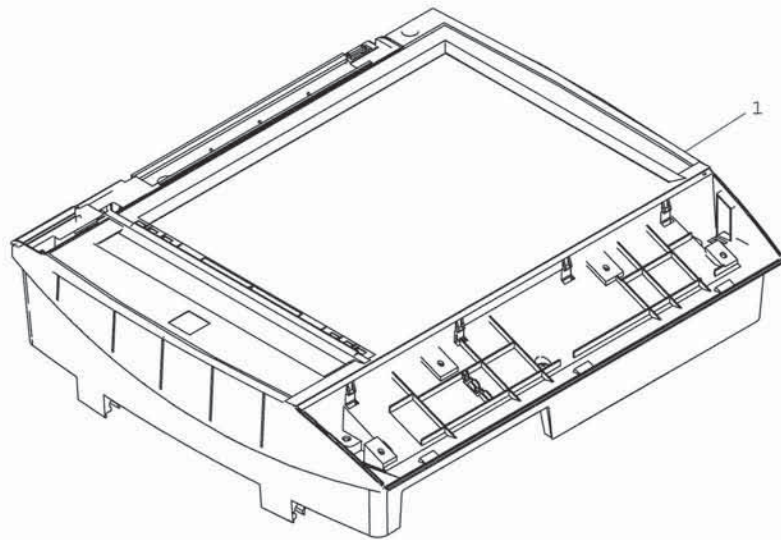
EURO GENERIC ---- GNR

1.ADF



List1(ADF)

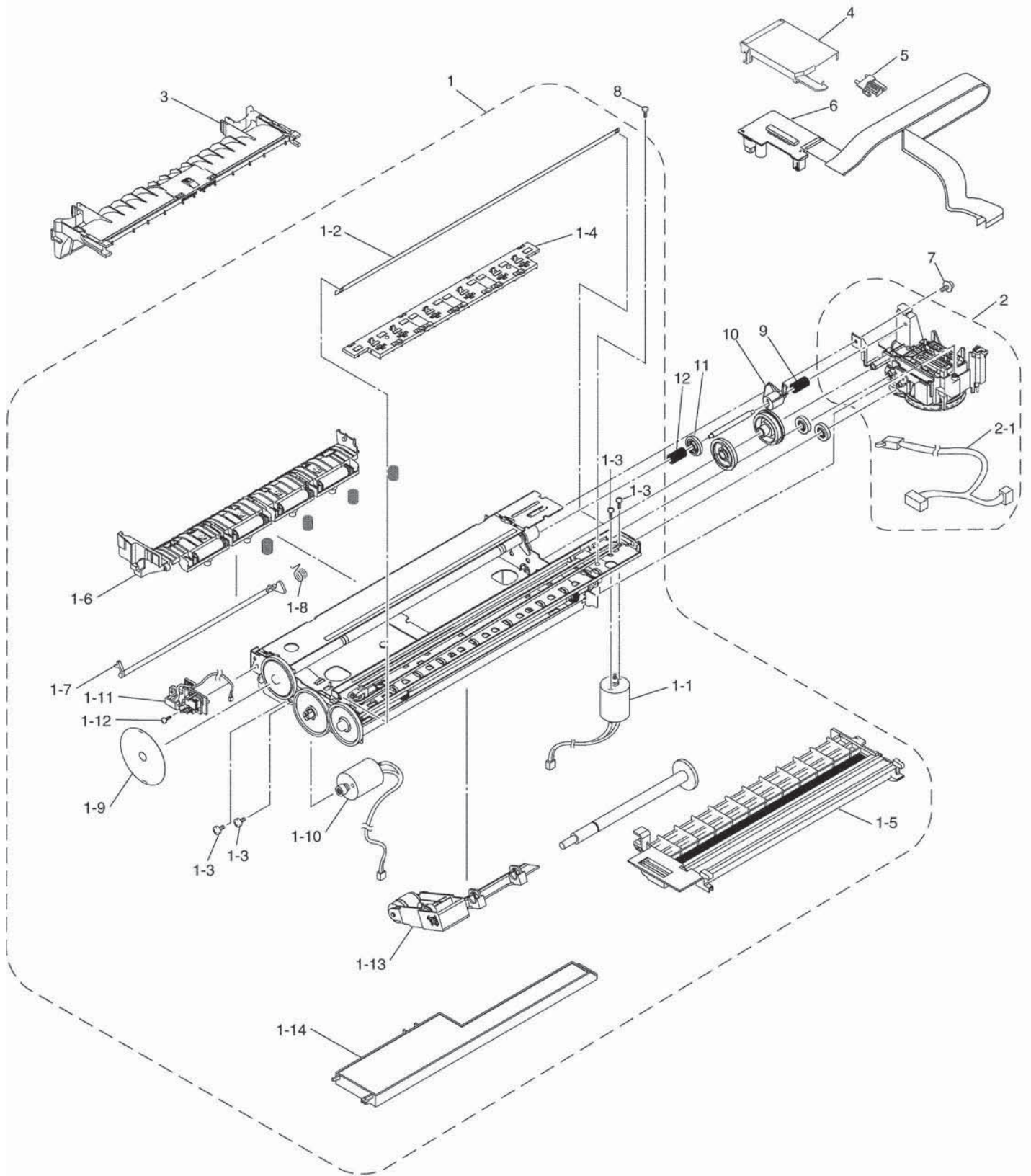
REF No.	CODE	Q'TY	DESCRIPTION	RECOMMEND	REMARK
1	LF5203001	1	DOCUMENT COVER ASSY	√	
1-1	LF5204001	1	DOCUMENT COVER SUB ASSY		
1-2	LF5214001	1	ADF MOTOR		
1-3	0A4300605	1	SCREW, PAN (S/P WASHER) M3X6		
1-4	LG5601001	1	FB-ADF PCB ASSY		
1-5	LF5217001	1	ACTUATOR, R		
1-6	LF4967001	1	ACTUATOR, F		
1-7	LF5219001	1	EJECTION ROLLER ASSY		
1-8	LF4230001	1	BUSHING 6N		
1-9	LF5222001	1	LF ROLLER ASSY		
1-10	UF0026001	1	RESIN BUSHING		
1-11	LF5225001	1	DOCUMENT HOLD		
1-12	LF5226001	2	DOCUMENT HOLD SPRING		
1-13	LF5228001	1	UPPER DOCUMENT CHUTE		
1-14	LF5230001	1	ADF PLATE SPRING		
1-15	LF7135001	1	SEPARATION RUBBER		
1-16	LF5235001	1	SEPARATE ROLLER		
1-17	LE9872001	1	CONDUCTIVE BUSHING		
1-18	LF5238001	1	SEPARATE ROLLER GEAR		
1-19	LP0015001	1	DOCUMENT PULL-IN ROLLER HOLDER		
1-20	LF5243001	1	DOCUMENT PULL-IN ROLLER		
1-21	LF5245001	1	DOCUMENT PULL-IN ROLLER GEAR		
1-22	LF5246001	1	GEAR 23		
1-23	UF9949001	1	EJECTION ROLLER BUSHING		
1-24	LF5247001	1	GEAR COVER		
1-25	LF5248001	1	ADF COVER		
1-26	LE2472001	2	LF SPRING		
1-27	UF9009001	2	PRESSER ROLLER		
1-28	LE2471001	1	PRESSURE ROLLER SHAFT		
1-29	LF5208001	1	ADF DOCUMENT OUTPUT SUPPORT FLAP		
1-30	087311016	6	TAPTITE, CUP B M3X10		
1-31	LF7738001	1	SEPARATE SUPPORT FILM		
1-32	LF5249001	1	ADF DOCUMENT SUPPORT		
2	LP0018001	1	HINGE ASSY L		
3	087311016	3	TAPTITE, CUP B M3X10		
4	LF4976002	1	HINGE		
5	085411216	1	TAPTITE, BIND B M4X12		
6	LF5310001	1	EMBLEM BH3FB		



List2(SCANNER)

REF No.	CODE	Q'TY	DESCRIPTION	RECOMMEND	REMARK
1	LF7585001	1	SCANNER UNIT	√	

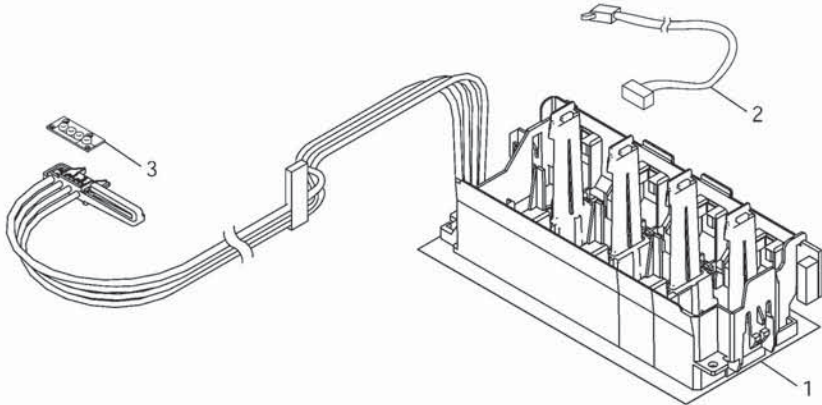
3 ENGINE



List3(ENGINE)

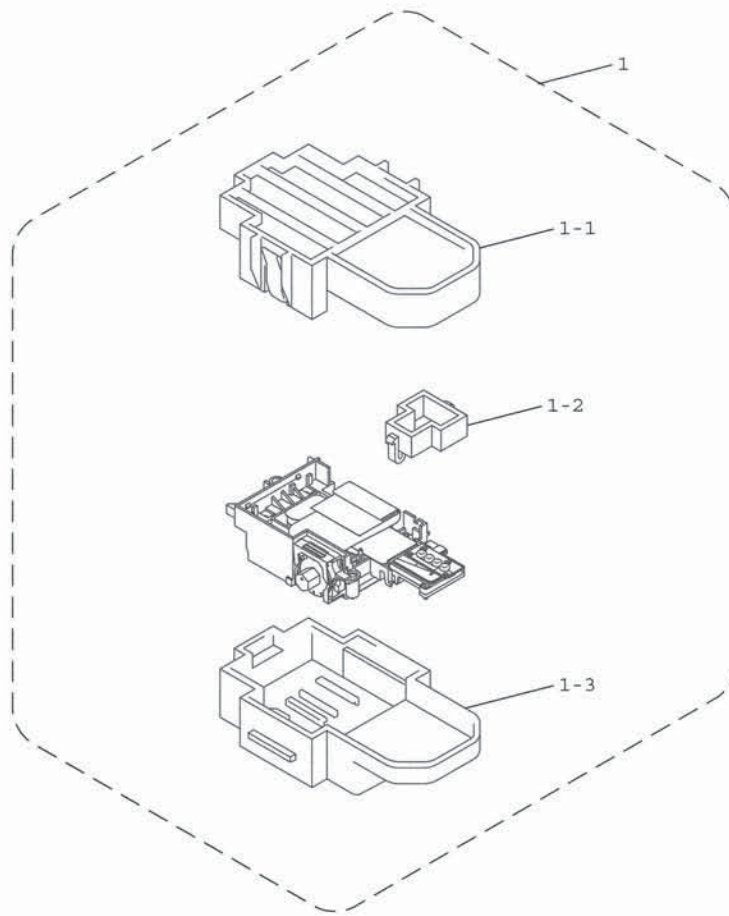
REF No.	CODE	Q'TY	DESCRIPTION	RECOMMEND	REMARK
1	LF7963001	1	ENGINE UNIT SUPPLY ASSY		
1-1	LF4764001	1	CARRIAGE MOTOR		
1-2	LF4769001	1	CR ENCODER STRIP		
1-3	000300305	4	SCREW, BIND M3X3		
1-4	LF4778001	1	STAR WHEEL HOLDER ASSY		
1-5	LF7525001	1	PLATEN		
1-6	LP0021001	1	PAPER PRESSURE HOLDER		
1-7	LF4789001	1	REGISTRATION SENSOR ACTUATOR		
1-8	LF4790001	1	SENSOR ACTUATOR SPRING		
1-9	LF4800001	1	PF ENCODER DISK		
1-10	LP0060001	1	PAPER FEED MOTOR		
1-11	LF4809001	1	SENSOR PCB		
1-12	087320616	1	TAPTITE, CUP S M3X6		
1-13	LF4812001	1	PAPER PULL-IN HOLDER		
1-14	LF4818001	1	FLUSHING CASE		
2	LF7036001	1	MAINTENANCE SUPPLY ASSY, MFC5440CN	√	
2	LF7589001	1	MAINTENANCE SUPPLY ASSY, MFC5840CN	√	
2-1	LG5780001	1	INK CARTRIDGE/PURGE HP SWITCH HARNESS		
3	LF4806001	1	JAM CLEAR COVER, MFC5440CN		
4	LF7953001	1	HEAD COVER ASSY		
5	LP0057001	1	FFC SUPPORT		
6	LF7954001	1	CARRIAGE PCB SUPPLY ASSY		
7	087320616	1	TAPTITE, CUP S M3X6		
8	087310815	1	TAPTITE, CUP B M3X8		
9	LF4760001	1	PURGE LEVER SPRING (LONGER)		
10	LF4759001	1	PURGE LEVER		
11	LF4762001	1	CLUTCH GEAR		
12	LF4763001	1	CLUTCH GEAR SPRING (SHORTER)		

4 CARTRIDGE CASE



List4(CARTRIDGE CASE)

REF No.	CODE	Q'TY	DESCRIPTION	RECOMMEND	REMARK
1	LP0472002	1	INK REFILL SUPPLY ASSY EXCEPT FOR CHN	√	
1	LP0472004	1	INK REFILL SUPPLY ASSY FOR CHN	√	
2	LG5513001	1	LARGE VOLUME INK CARTRIDGE SENSOR		
3	LF7590001	1	HEAD JOINT RUBBER SUPPLY ASSY		

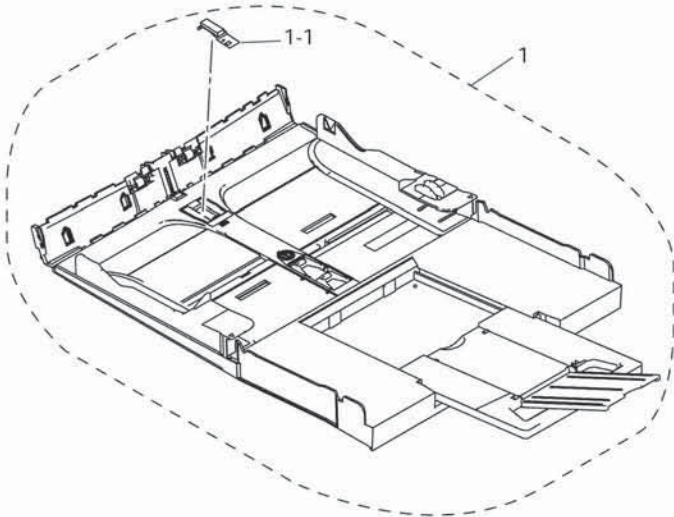
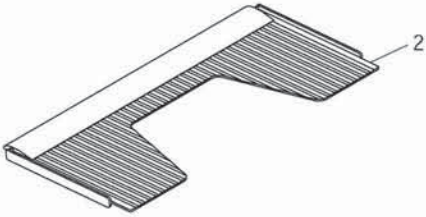


List5(HEAD)

REF No.	CODE	Q'TY	DESCRIPTION	RECOMMEND	REMARK
1	LK1866001	1	HEAD/CARRIAGE SUPPLY ASSY (without CARRIAGE PCB ASSY *)		
1-1	LK1579001	1	NOZZLE PROTECTOR UPPER		
1-2	LK1581001	1	RUBBER JOINT PROTECTOR		
1-3	LK1580001	1	NOZZLE PROTECTOR LOWER		

*: Please see List 3, 6; CARRIAGE PCB SUPPLY ASSY

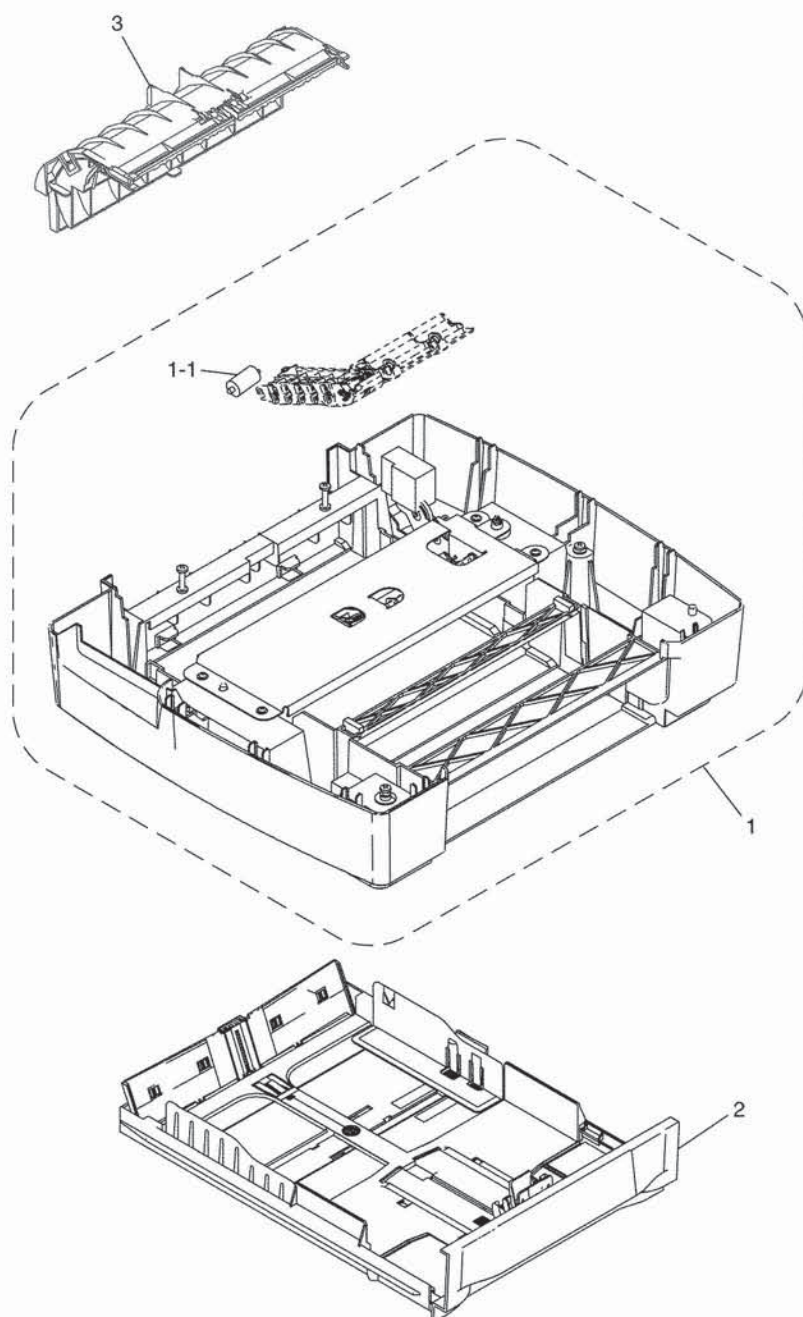
6 PAPER TRAY



List6(PAPER TRAY)

REF No.	CODE	Q'TY	DESCRIPTION	RECOMMEND	REMARK
1	LF4855001	1	PAPER TRAY ASSY	√	
1-1	LP0556001	1	BASE PAD ASSY		
2	LF5063001	1	TRAY COVER		

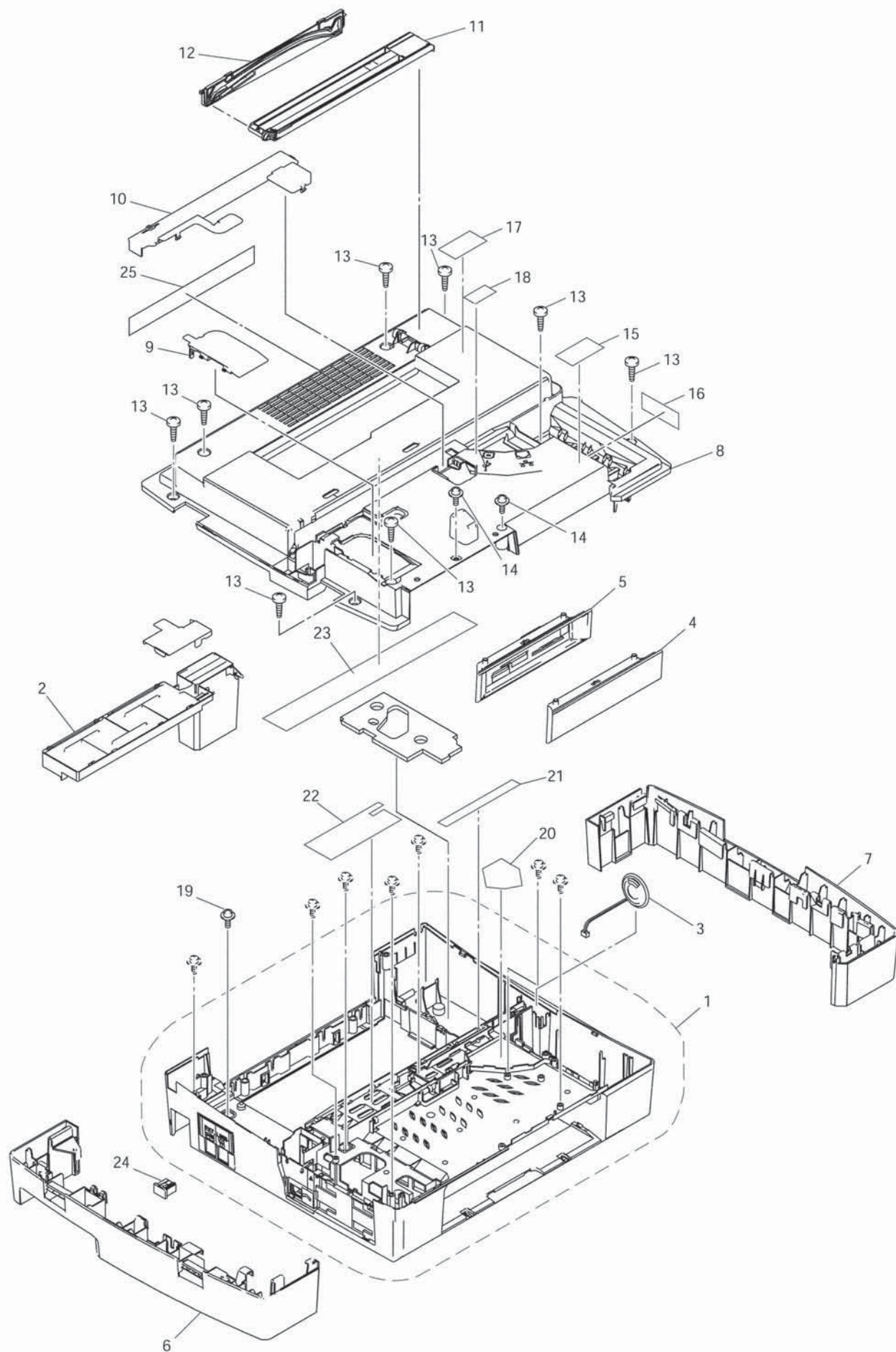
7 LOWER TRAY



List7(LOWER TRAY)

REF No.	CODE	Q'TY	DESCRIPTION	RECOMMEND	REMARK
1	LF5313001	1	COVER LT ASSY, MFC5840CN		
1-1	LF4815001	1	AUTO SHEET FEEDER ROLLER ASSY, MFC5840CN		
2	LF5326001	1	PAPER TRAY LT ASSY, MFC5840CN		
3	LF5338001	1	JAM CLEAR COVER, MFC5840CN		

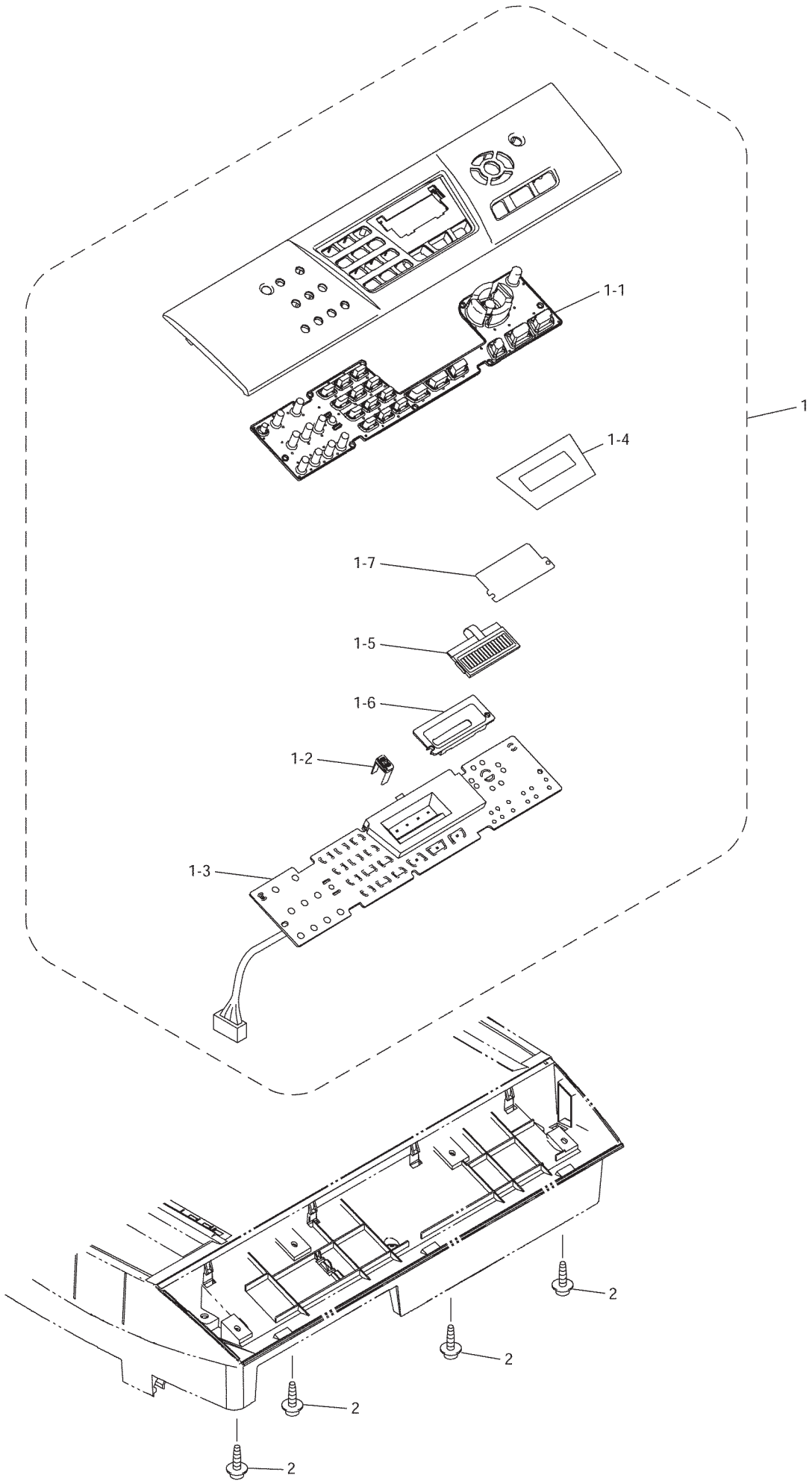
8.COVER



List8(COVER)

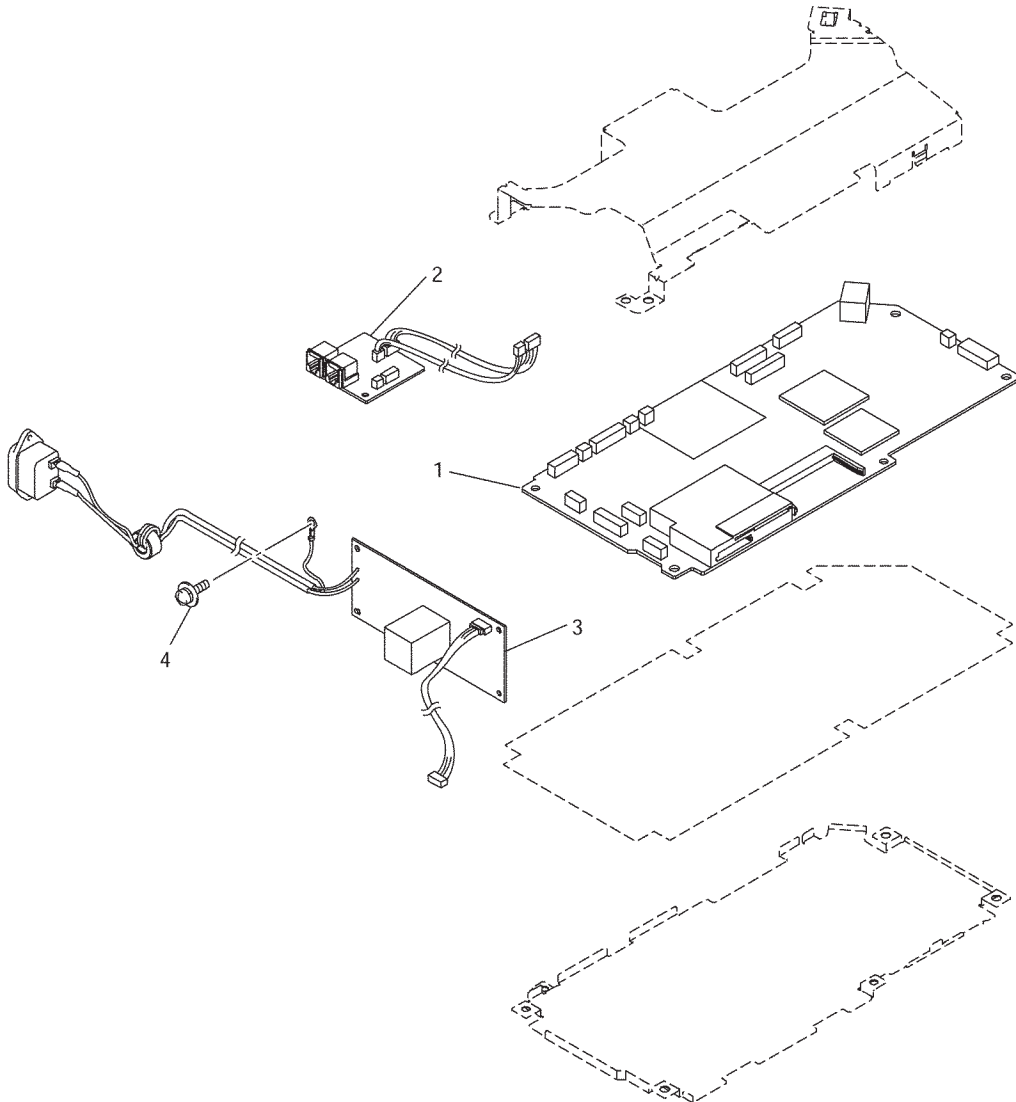
REF No.	CODE	Q'TY	DESCRIPTION	RECOMMEND	REMARK
1	LF4865001	1	LOWER COVER ASSY, MFC5440CN		
1	LF7220001	1	LOWER COVER ASSY, MFC5840CN		
2	LF7544001	1	INK ABSORBER BOX ASSY, MFC5440CN	√	
2	LF7950001	1	INK ABSORBER BOX ASSY, MFC5840CN	√	
3	LG6024001	1	SPEAKER UNIT		
4	LF5270001	1	FRONT SUB COVER, MFC5440CN		
5	LF5292001	1	MEDIA MODULE COVER, MFC5840CN		
6	LF5271001	1	SIDE COVER L		
7	LF5272001	1	SIDE COVER R		
8	LF5273001	1	UPPER COVER		
9	LF4879001	1	HARNESS COVER		
10	LF4987001	1	CIS FLAT CABLE COVER		
11	LF7010001	1	SCANNER COVER STOPPER		
12	LF7011001	1	SCANNER COVER DAMPER		
13	085411216	8	TAPTITE, BIND B M4X12		
14	087310815	2	TAPTITE, CUP B M3X8		
15	LF5790001	1	INK REPLACE INSTRUCTION LABEL		
16	LF5116001	1	CONSUMPTION LABEL FOR GER/UK/FRA/BEL/NLD/CHE/IRE/AUS/SPA/ITA/POR/PND/GNR		
16	LF7833001	1	CONSUMPTION LABEL FOR CHN		
16	LF5941001	1	CONSUMPTION LABEL FOR HK/SIN/GUL/OCE		
17	LF5789001	1	COVER OPEN/CLOSE LABEL		
18	LF5179001	1	USB STICKER EXCEPT FOR CHN		
18	LF5191001	1	USB STICKER FOR CHN		
19	0A5300805	1	SCREW, PAN(S/P WASHER) M3X8		
20	LF7105001	1	USB/LAN CONNECTION LABEL, MFC5440CN		
21	LF7262001	1	FFC GUIDE FILM		
22	LF7445001	1	TUBE GUIDE FILM		
23	LF7321001	1	SLIDE FILM		
24	UF5745000	1	MJ COVER, EXT FOR GER/UK/FRA/BEL/AUS/ITA		
25	LP0582001	1	PAPER JAM INSTRUCTION LABEL, MFC5440CN		

9 PANEL



List9(PANEL)

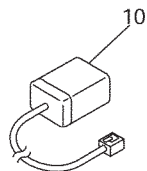
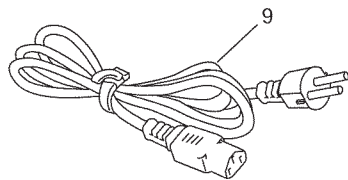
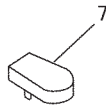
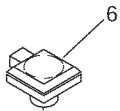
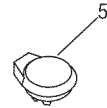
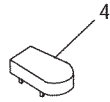
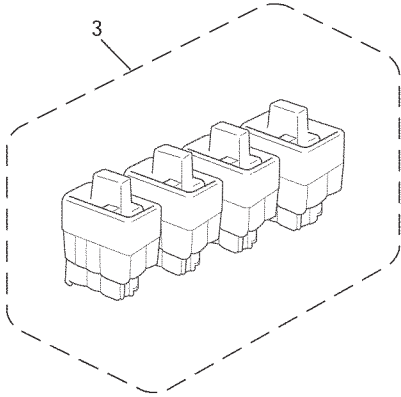
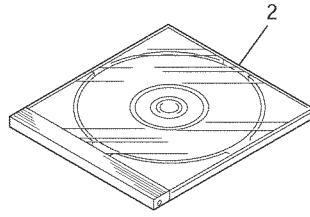
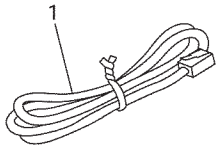
REF No.	CODE	Q'TY	DESCRIPTION	RECOMMEND	SYMBOL	REMARK
1	LF7111001	1	CONTROL PANEL ASSY, MFC5440CN FOR GER/AUS	√		
1	LF7278001	1	CONTROL PANEL ASSY, MFC5840CN FOR GER/AUS	√		
1	LF7120001	1	CONTROL PANEL ASSY, MFC5440CN FOR UK/BEL/CHE/IRE/GNR	√		
1	LF7283001	1	CONTROL PANEL ASSY, MFC5840CN FOR UK/BEL/CHE	√		
1	LF7156001	1	CONTROL PANEL ASSY, MFC5440CN FOR FRA	√		
1	LF7478001	1	CONTROL PANEL ASSY, MFC5840CN FOR FRA	√		
1	LF7725001	1	CONTROL PANEL ASSY, MFC5440CN FOR NLD	√		
1	LF7484001	1	CONTROL PANEL ASSY, MFC5840CN FOR NLD	√		
1	LF7131001	1	CONTROL PANEL ASSY, MFC5440CN FOR SPA	√		
1	LF7286001	1	CONTROL PANEL ASSY, MFC5840CN FOR SPA	√		
1	LF7142001	1	CONTROL PANEL ASSY, MFC5440CN FOR ITA	√		
1	LF7289001	1	CONTROL PANEL ASSY, MFC5840CN FOR ITA	√		
1	LF7149001	1	CONTROL PANEL ASSY, MFC5440CN FOR POR	√		
1	LF7480001	1	CONTROL PANEL ASSY, MFC5840CN FOR POR	√		
1	LF7824001	1	CONTROL PANEL ASSY, MFC5440CN FOR CHN	√		
1	LF7358001	1	CONTROL PANEL ASSY, MFC5440CN FOR HK/SIN/GUL/OCE	√		
1	LF7359001	1	CONTROL PANEL ASSY, MFC5840CN FOR SIN/GUL/OCE	√		
1	LF7491001	1	CONTROL PANEL ASSY, MFC5840CN FOR PND	√		
1-1	LF7093001	1	RUBBER KEYPAD, MFC5440CN FOR GER/AUS			
1-1	LF7094001	1	RUBBER KEYPAD, MFC5840CN FOR GER/AUS			
1-1	LF5279001	1	RUBBER KEYPAD, MFC5440CN EXCEPT FOR GER/AUS			
1-1	LF5296001	1	RUBBER KEYPAD, MFC5840CN EXCEPT FOR GER/AUS			
1-2	LF4890001	1	SCANNER OPEN SENSOR ACTUATOR			
1-3	LG5591001	1	CONTROL PANEL PCB ASSY, MFC5440CN		B53K755	
1-3	LG5591002	1	CONTROL PANEL PCB ASSY, MFC5840CN		B53K755	
1-4	LF5979001	1	LCD SHEET, MFC5440CN			
1-4	LF5983001	1	LCD SHEET, MFC5840CN			
1-5	LG6131001	1	LCD, MFC5440CN			
1-5	LG6132001	1	LCD, MFC5840CN			
1-6	LF5092001	1	LCD HOLDER, MFC5840CN			
1-7	LF5093001	1	DIFFUSION FILM, MFC5840CN			
2	087311216	4	TAPTITE, CUP B M3X12			



List10(PCB)

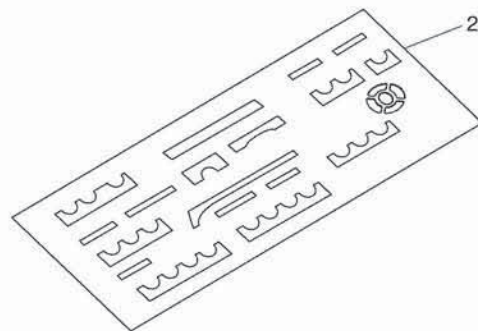
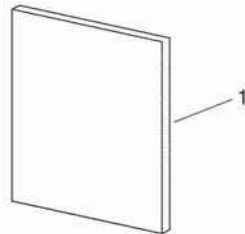
REF No.	CODE	Q'TY	DESCRIPTION	RECOMMEN	SYMBOL	REMARK
1	LG6351023	1	MAIN PCB ASSY, MFC5440CN EXCEPT FOR CHN	√	B53K818	
1	LG6352033	1	MAIN PCB ASSY, MFC5840CN	√	B53K818	
1	LG6351024	1	MAIN PCB ASSY, MFC5440CN FOR CHN	√	B53K818	
2	LG5365054	1	MJ PCB ASSY FOR GER/UK/FRA/BEL/NLD/ CHE/IRE/AUS/SPA/ITA/POR/PND/GNR		B53K759	
2	LG5365056	1	MJ PCB ASSY FOR CHN/HK/SIN/GUL/OCE		B53K759	
3	LG5544001	1	POWER SUPPLY PCB UNIT FOR GER/UK/FRA/BEL/NLD/ CHE/IRE/AUS/SPA/ITA/POR/PND/OCE/GNR	√		
3	LG6080001	1	POWER SUPPLY PCB UNIT FOR CHN	√		
3	LG5743001	1	POWER SUPPLY PCB UNIT FOR HK/SIN/GUL	√		
4	UF6559001	1	SCREW, PAN (WASHER) M4X8DB			

11 ACCESSORIES



List11(Accessories)

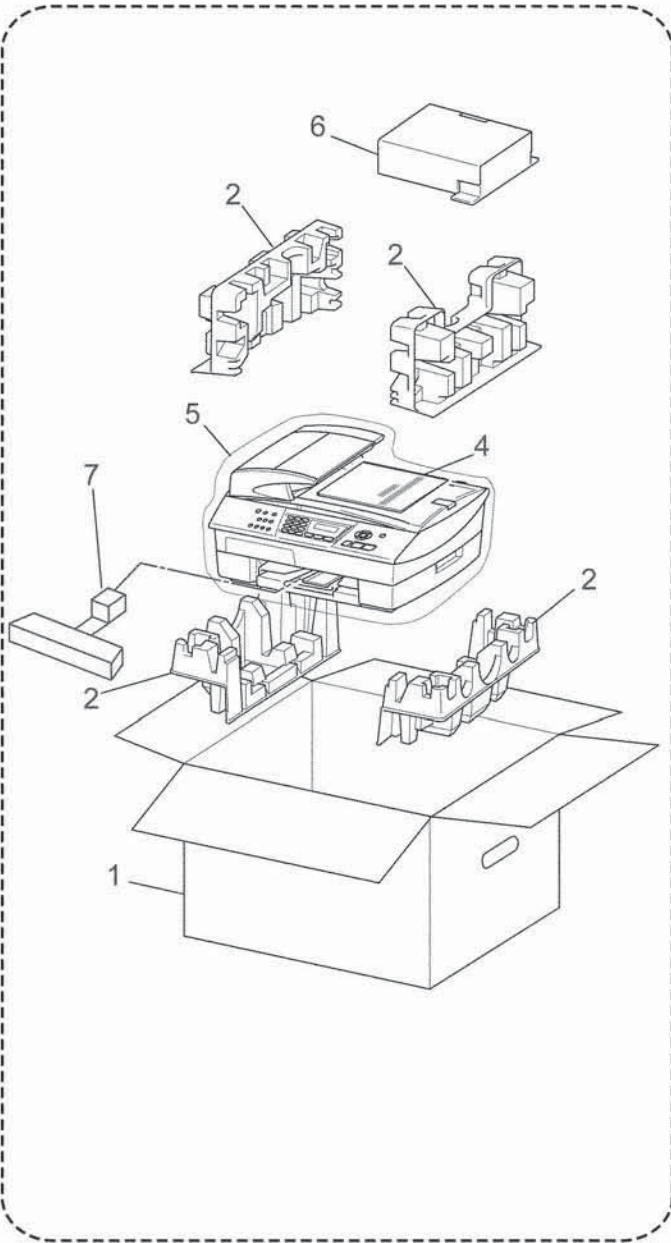
REF No.	CODE	Q'TY	DESCRIPTION	RECOMMEND	REMARK
1	UG3625001	1	TELEPHONE LINE CORD FOR GER		
1	UG3626001	1	TELEPHONE LINE CORD FOR UK		
1	UG3627001	1	TELEPHONE LINE CORD FOR FRA		
1	UG1575001	1	TELEPHONE LINE CORD FOR BEL		
1	LG3077001	1	TELEPHONE LINE CORD FOR NLD/IRE/SPA/POR/CHN/SIN/GUL/OCE/GNR		
1	UG3469000	1	TELEPHONE LINE CORD FOR CHE		
1	UG4205001	1	TELEPHONE LINE CORD FOR AUS		
1	UG3634001	1	TELEPHONE LINE CORD FOR ITA		
1	UG3290001	1	TELEPHONE LINE CORD FOR HK/OCE		
1	LG5827001	1	TELEPHONE LINE CORD FOR PND		
2	LF5421001	1	CD-ROM ASSY, MFC5440CN FOR GER/UK/FRA/CHE/IRE/AUS/HK/SIN/GUL/OCE <Windows>		
2	LF5425001	1	CD-ROM ASSY, MFC5840CN FOR GER/UK/FRA/CHE/AUS/SIN/GUL/OCE <Windows>		
2	LF5423001	1	CD-ROM ASSY, MFC5440CN FOR BEL/NLD/GNR <Windows>		
2	LF5427001	1	CD-ROM ASSY, MFC5840CN FOR BEL/NLD/PND <Windows>		
2	LF5422001	1	CD-ROM ASSY, MFC5440CN FOR SPA/ITA/POR <Windows>		
2	LF5426001	1	CD-ROM ASSY, MFC5840CN FOR SPA/ITA/POR <Windows>		
2	LF7865001	1	CD-ROM ASSY, MFC5440CN FOR CHN		
2	LF5428001	1	CD-ROM ASSY, MFC5840CN FOR PND <Windows>		
2	LF5437001	1	CD-ROM ASSY FOR GER/UK/FRA/CHE/IRE/AUS/ SPA/ITA/POR/HK/SIN/GUL/OCE <Macintosh>		
2	LF5438001	1	CD-ROM ASSY FOR BEL/NLD/PND/GNR <Macintosh>		
3	LF7986001	1	PROTECTION CARTRIDGE SUPPLY ASSY		
4	LG3622001	1	TELEPHONE PLUG FOR NLD		
5	LG5830001	1	TELEPHONE PLUG FOR PND <SWEDEN>		
6	LG5829001	1	TELEPHONE PLUG FOR PND <FINLAND>		
7	LG5828001	1	TELEPHONE PLUG FOR PND <DENMARK>		
8	LG3509001	1	TELEPHONE PLUG FOR OCE		
9	LG5717001	1	AC CORD BAG ASSY LF, VDE FOR GER/FRA/BEL/NLD/AUS/SPA/ITA/POR/SIN/GUL/GNR/PND		
9	LG5692001	1	AC CORD BAG ASSY LF, UK FOR UK/IRE/HK/SIN/GUL		
9	LG5732001	1	AC CORD BAG ASSY LF, SEV FOR CHE		
9	LG5735001	1	AC CORD BAG ASSY LF, CHN FOR CHN		
9	LG5734001	1	AC CORD BAG ASSY LF, SAA FOR OCE		
9	LG5736001	1	AC CORD BAG ASSY LF, DEMKO FOR PND		
10	UG3468000	1	BT-MJ ADAPTER FOR HK		



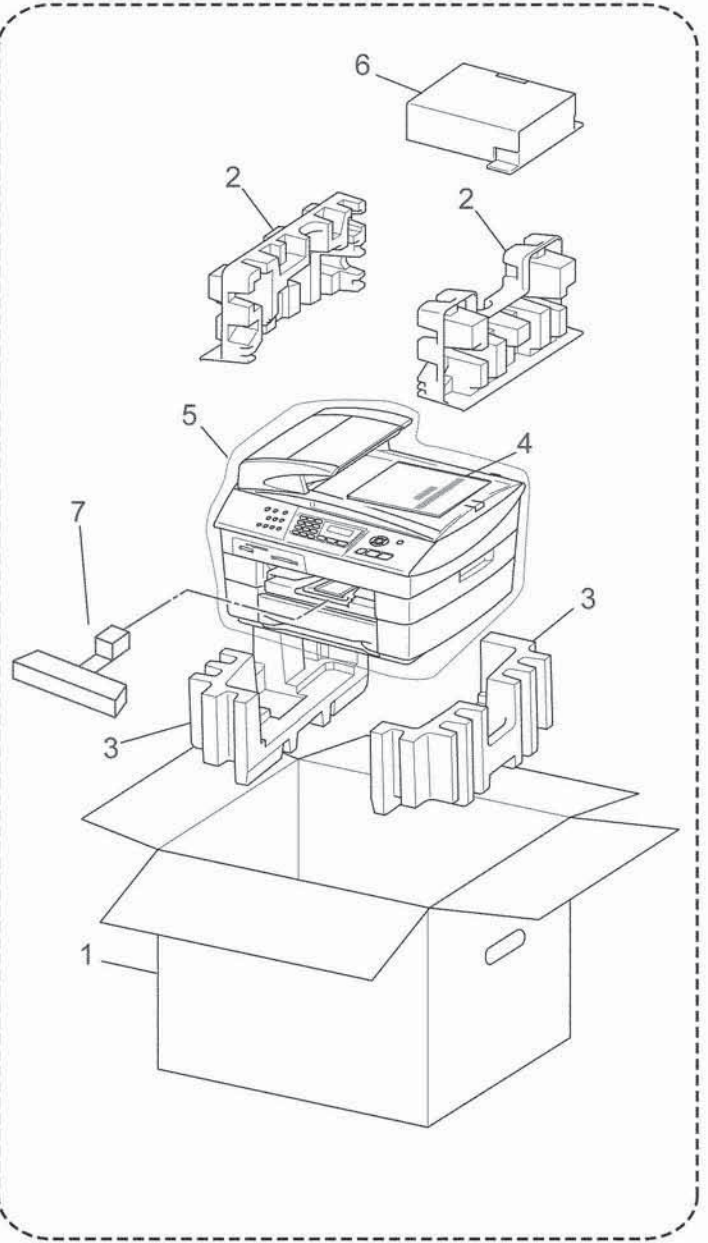
List12(PRINTED MATERIALS)

REF No.	CODE	Q'TY	DESCRIPTION	RECOMMEND	REMARK
1	LF7114003	1	OWNER'S GUIDE FOR GER/AUS		
1	LF7114004	1	OWNER'S GUIDE FOR UK/IRE/GNR		
1	LF7114005	1	OWNER'S GUIDE FOR FRA		
1	LF7114008	1	OWNER'S GUIDE FOR BEL <DUTCH>		
1	LF7145008	1	OWNER'S GUIDE FOR BEL/CHE <FRENCH>		
1	LF7114009	1	OWNER'S GUIDE FOR NLD		
1	LF7114010	1	OWNER'S GUIDE FOR CHE <GERMAN>		
1	LF7114015	1	OWNER'S GUIDE FOR SPA		
1	LF7114016	1	OWNER'S GUIDE FOR ITA		
1	LF7114018	1	OWNER'S GUIDE FOR POR		
1	LF7922001	1	OWNER'S GUIDE FOR CHN		
1	LF7326001	1	OWNER'S GUIDE FOR HK/SIN/GUL/OCE		
1	LF7114013	1	OWNER'S GUIDE FOR PND <FINNISH, DANISH>		
1	LF7114057	1	OWNER'S GUIDE FOR PND <NORWEGIAN, SWEDISH>		
2	---		NOT USED		

MFC-5440CN



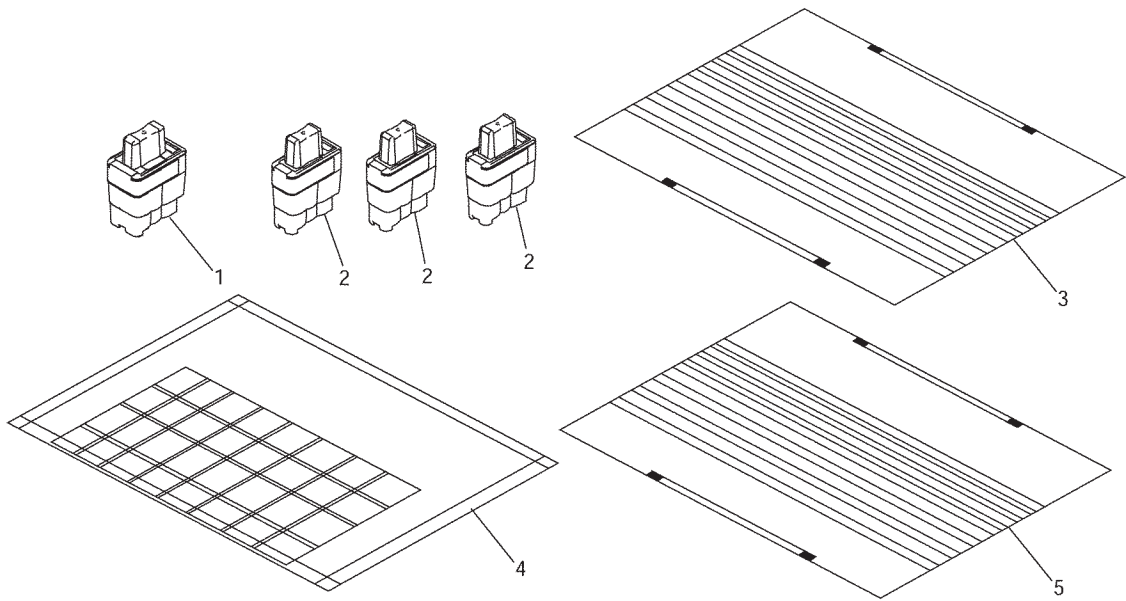
MFC-5840CN



List13(PACKAGING)

REF No.	CODE	Q'TY	DESCRIPTION	RECOMMEND	REMARK
1	LF5751001	1	CARTON, BROTHER, MFC5440CN FOR GER/UK/FRA/BEL/NLD/CHE/IRE/AUS/SPA/ITA/POR/GNR	√	
1	LF5754001	1	CARTON, BROTHER, MFC5840CN FOR GER/UK/FRA/BEL/NLD/CHE/AUS/SPA/ITA/POR/PND	√	
1	LF7923001	1	CARTON, BROTHER, MFC5440CN FOR CHN	√	
1	LF7660001	1	CARTON, BROTHER, MFC5440CN FOR HK/SIN/GUL/OCE	√	
1	LF7704001	1	CARTON, BROTHER, MFC5840CN FOR SIN/GUL/OCE	√	
2	LF5285001	1	PULP CUSHION ASSY, MFC5440CN		
2	LF5299001	1	PULP CUSHION ASSY, MFC5840CN		
3	LF7582001	1	BODY POLYSTYRENE FOAM ASSY, MFC5840CN		
4	LF7119001	1	QUICK SETUP GUIDE FOR GER/AUS		
4	LF7125001	1	QUICK SETUP GUIDE FOR UK		
4	LF7130001	1	QUICK SETUP GUIDE FOR FRA		
4	LF7328001	1	QUICK SETUP GUIDE FOR BEL <DUTCH>		
4	LF7329001	1	QUICK SETUP GUIDE FOR BEL/CHE <FRENCH>		
4	LF7325001	1	QUICK SETUP GUIDE FOR NLD		
4	LF7330001	1	QUICK SETUP GUIDE FOR CHE <GERMAN>		
4	LF7137001	1	QUICK SETUP GUIDE FOR SPA		
4	LF7148001	1	QUICK SETUP GUIDE FOR ITA		
4	LF7155001	1	QUICK SETUP GUIDE FOR POR		
4	LF7926001	1	QUICK SETUP GUIDE FOR CHN		
4	LF7335001	1	QUICK SETUP GUIDE FOR HK/SIN/GUL/OCE		
4	LF7332001	1	QUICK SETUP GUIDE FOR PND <NORWEGIAN>		
4	LF7333001	1	QUICK SETUP GUIDE FOR PND <SWEDISH>		
4	LF7334001	1	QUICK SETUP GUIDE FOR PND <FINNISH>		
4	LF7331001	1	QUICK SETUP GUIDE FOR PND <DANISH>		
4	LP0010001	1	QUICK SETUP GUIDE FOR GNR <CZECH/HUNGARIAN/POLISH>		
4	LP0011001	1	QUICK SETUP GUIDE FOR GNR <ENGLISH/BULGARIAN/ROMANIAN>		
5	LJ0763001	1	PE BAG 1000X1000H		
6	LF5290001	1	CARTON FOR ACCESSORIES		
7	LP0052001	1	PAD, TRAY COVER		

14. OTHERS



List14(OTHERS)

REF No.	CODE	Q'TY	DESCRIPTION	RECOMMEND	REMARK
1	LK1349001	1	DUMMY CARTRIDGE, BLACK < For ink drainage >		
2	LK1350001	3	DUMMY CARTRIDGE, COLOR < For ink drainage >		
3	UF8263001	1	TEST CHART-027		
4	UF9258001	1	COLOR TEST CHART CTC-001		
5	UF4600001	1	CONTRAST CHART TC-023		

brother®

PL-FAX117
8CA941
Ver.-