



Brother Laser Printer **PARTS REFERENCE LIST**

MODEL: MFC-P2500 / HL-P2500



Read this list thoroughly before maintenance work.

Keep this list in a convenient place for quick and easy reference at all times.

NOTE FOR USING THIS PARTS REFERENCE LIST

1. In the case of ordering parts, it needs mentioning the following items:

- (1) Code
- (2) Q'ty
- (3) Description
- (4) Symbol (PCB No., Revision , and Parts location mounted on the PCB.)

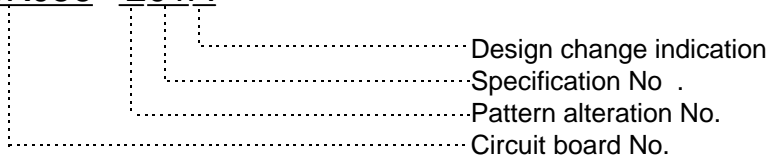
Note : No orders without Parts Code or Tool No. can be accepted.

< Example >

REF.NO.	CODE	Q'TY	DESCRIPTION	SYMBOL	REMARK

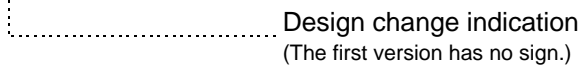
Revision No.: marked on the **main printed circuit board**.

B48K056 - 201A



Revision No.: marked on the **power supply printed circuit board**.

Rev. A



2. Design-changed parts :

If the parts are changed, any one of the following symbols is indicated in the REMARKS column.

- #A : compatible between old and new
- #B : replaceable from old to new
- #D : incompatible
- # : newly established

3. The original of this list was made based on the information available in December, 1999.

4. Parts are subject to change in design without prior notice.

CONTENTS

1.	FRAME / DRIVE UNIT	1
2.	LASER UNIT	1
3.	DOCUMENT SCANNER FRAME	3
4.	PAPER FEEDER	5
5.	FIXING UNIT	5
6.	PAPER CASSETTE.....	7
7.	COVER	9
8.	CONTROL PANEL.....	11
9.	MAIN PCB	13
10.	ENGINE PCB.....	13
11.	LOW-VOLTAGE POWER SUPPLY PCB	15
12.	HIGH VOLTAGE POWER SUPPLY PCB.....	15
13.	AC CORD	17
14.	ACCESSORIES.....	17
15.	DOCUMENTS.....	19
16.	PACKING MATERIALS	19
17.	ADJUSTMENT TOOL.....	21

1. FRAME / DRIVE UNIT

REF.NO.	CODE	Q'TY	DESCRIPTION	SYMBOL	REMARK
1	UL9311001	1	MAIN MOTOR ASSY		
2	087320616	4	TAPTITE, CUP S M3X6		
3	LJ4069001	1	SOLENOID ASSY		
4	000300415	1	SCREW, BIND M3X4		
5	LJ4432001	1	TAPE 32X12		
6	UL8984001	1	LINK		
7	LJ4015001	1	FAN MOTOR UNIT		
8	UL9099001	1	TONER EMPTY PCB UNIT (LIGHT EMISSION)	B512038	
9	087320616	2	TAPTITE, CUP S M3X6		
10	UL8507001	4	RUBBER FOOT		
11	UL9104001	1	TONER EMPTY PCB UNIT (LIGHT RECEPTION)	B512037	
12	087320616	1	TAPTITE, CUP S M3X6		
13	LJ8031001	1	LT RELAY PCB ASSY	B512060	
14	087320616	1	TAPTITE, CUP S M3X6		
15	UG3005000	1	FERRITE CORE: 16X8X10		
16	UL8970001	1	SOLENOID RELEASE SPRING 30/99		

MODEL MFC-P2500/HL-P2500 84U-Z11-010

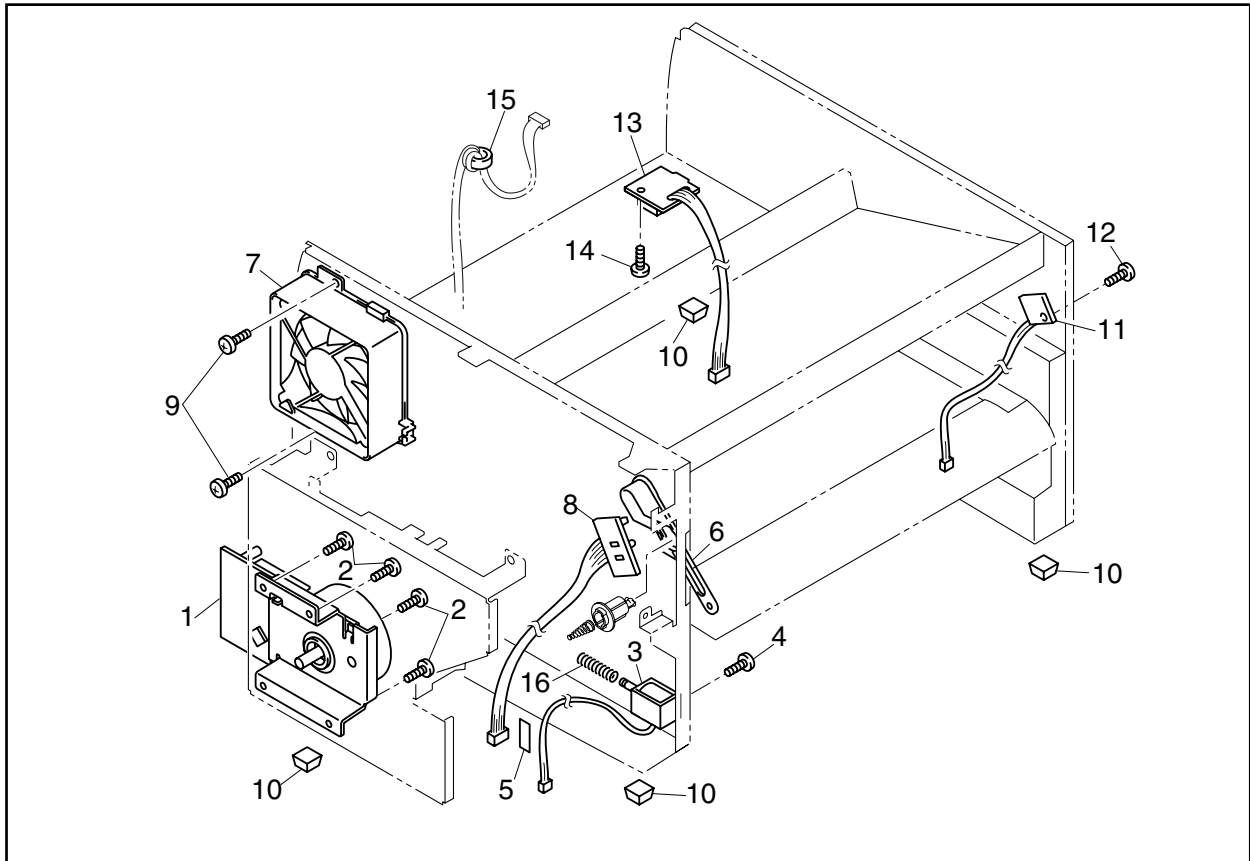
T/I NO. PR2000014

2. LASER UNIT

REF.NO.	CODE	Q'TY	DESCRIPTION	SYMBOL	REMARK
1	LJ4157001	1	LASER UNIT (SP)	(B512033)	
2	087321615	3	TAPTITE, CUP S M3X16		

MODEL MFC-P2500/HL-P2500 84U-Z11-020

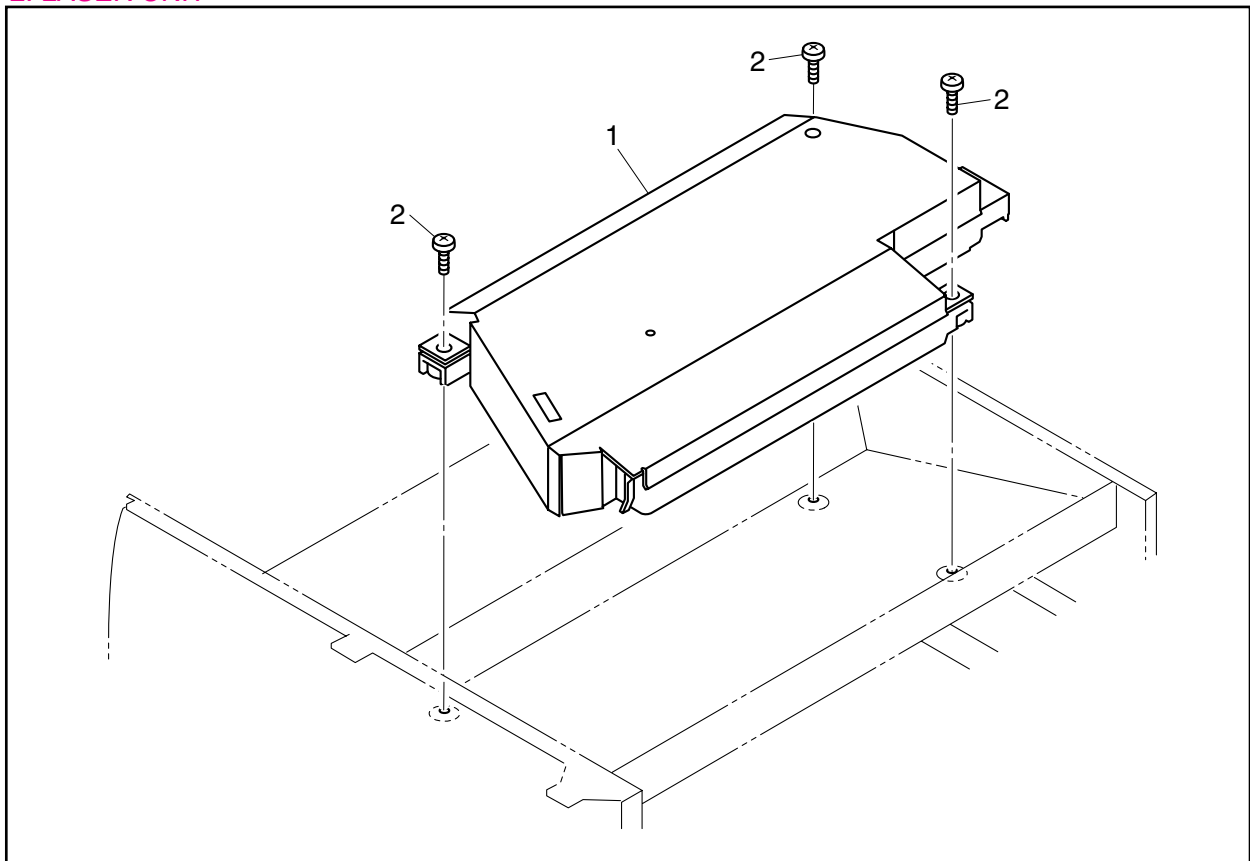
1. FRAME / DRIVE UNIT



T/I NO. PR2000014

MODEL MFC-P2500/HL-P2500 84U-Z11-010

2. LASER UNIT



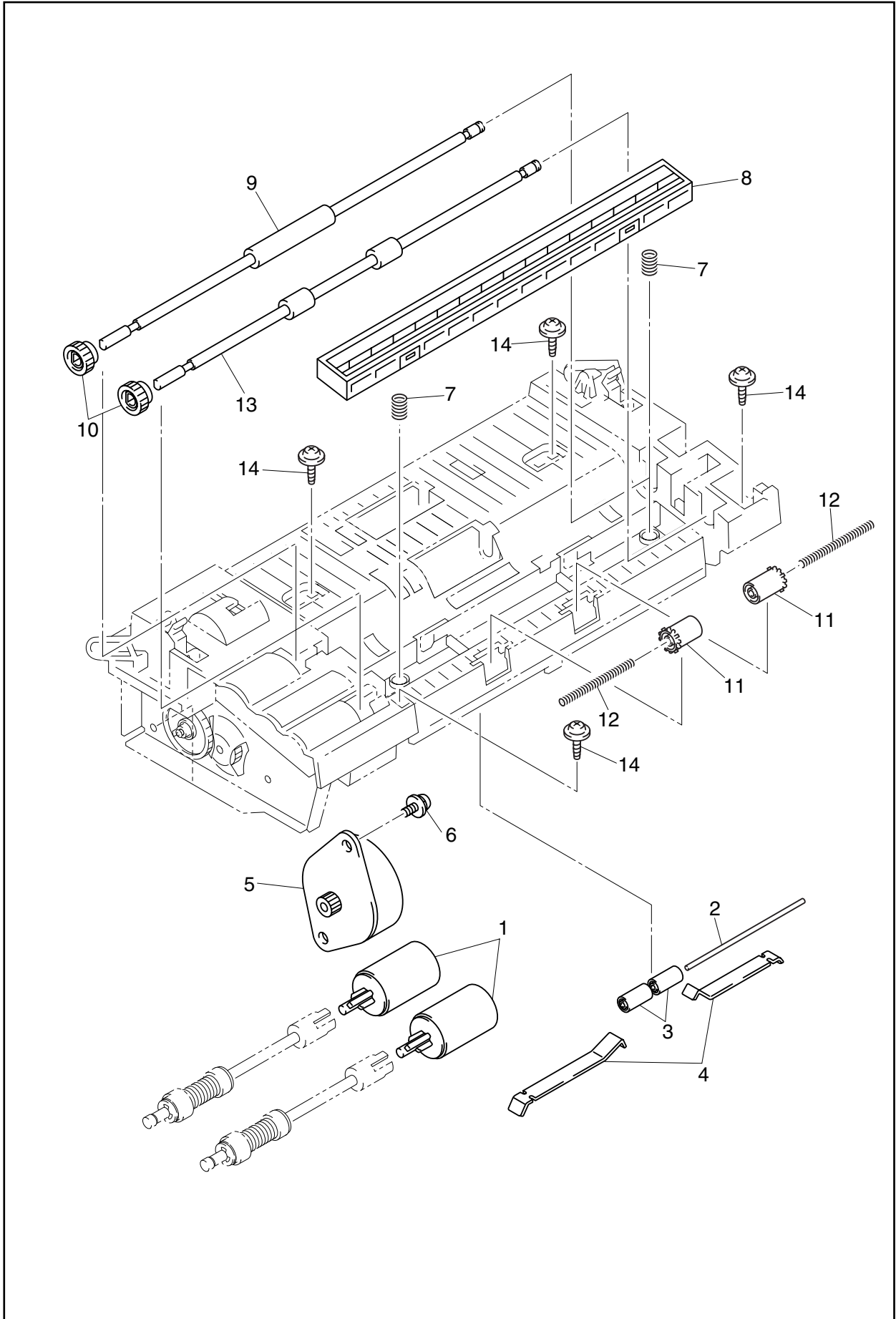
MODEL MFC-P2500/HL-P2500 84U-Z11-020

3. DOCUMENT SCANNER FRAME

REF.NO.	CODE	Q'TY	DESCRIPTION	REMARK
1	LE1072001	2	DOCUMENT SEPARATION ROLLER	
2	UF4369000	1	PRESSURE ROLLER SHAFT	
3	UF9009001	2	PRESSERE ROLLER	
4	UU7032001	2	LF SPRING	
5	UU2027001	1	SCANNER MOTOR	
6	0A4300605	1	SCREW, PAN (S/P WASHER) M3X6	
7	UU2028001	2	CIS SPRING	
8	LE1160001	1	CIS UNIT ZL (SP)	
9	UU2029001	1	DOCUMENT FEED ROLLER	
10	LE1196001	2	ROLLER GEAR	
11	UL6244002	2	EJECT PINCH ROLLER	
12	UU2009001	2	EJECT PINCH ROLLER SPRING	
13	UU2031001	1	DOCUMENT EJECT ROLLER	
14	087311016	4	TAPTITE, CUP B M3X10	

MODEL MFC-P2500/HL-P2500 84U-Z11-015

3. DOCUMENT SCANNER FRAME



MODEL MFC-P2500/HL-P2500 84U-Z11-015

4. PAPER FEEDER

REF.NO.	CODE	Q'TY	DESCRIPTION	REMARK
1	UL9060001	1	PAPER FEED ROLLER ASSY	
2	UL9066001	1	PAPER PICK-UP ROLLER ASSY	
3	LJ4499001	1	TR ELECTRODE HELICAL SPRING	

MODEL MFC-P2500/HL-P2500 84U-Z11-040

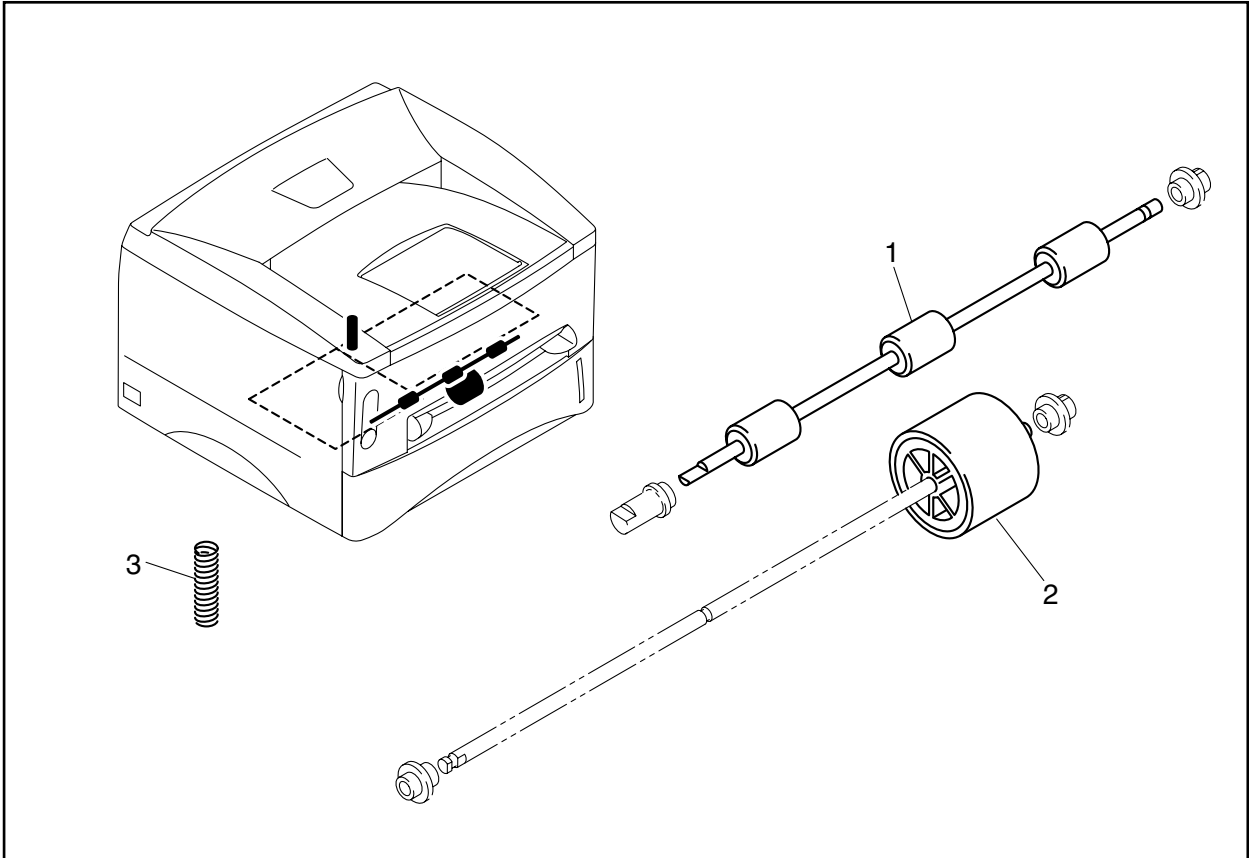
5. FIXING UNIT

REF.NO.	CODE	QTY	DESCRIPTION	REMARK
1	LJ4164001	1	FIXING UNIT, 115V (SP)	
1	LJ4168001	1	FIXING UNIT, 230V (SP)	
1	LJ4718001	1	FIXING UNIT, 230LE (SP)	
1-1	UL8902001	1	THERMISTOR ASSY	
1-2	087311215	1	TAPTITE, CUP B M3X12	
1-3	LJ4169001	1	HEAT ROLLER 25 (SP)	
1-3	LJ4719001	1	HEAT ROLLER 25 LE (SP)	
1-4	UL8908001	2	HR BEARING 25	
1-5	LJ4160001	1	HALOGEN LAMP, 115V (SP)	
1-5	LJ4163001	1	HALOGEN LAMP, 230V (SP)	
1-6	UL8929001	8	EJECT PINCH ROLLER	
1-7	LJ4431001	8	PINCH SPRING	
1-8	LJ4407001	2	CLEANER ROLLER ASSY	
1-9	LJ4409001	2	CLEANER SPRING	
1-10	087312015	2	TAPTITE, CUP B M3X20	
1-11	Z07200001	1	TAPTITE, PAN B M3X10	
1-12	LJ4845001	4	PICK OFF FINGER (SP)	
2	087320815	1	TAPTITE, CUP S M3X8	
3	LJ4740001	2	SHOULDER SCREW	

MODEL MFC-P2500/HL-P2500 84U-Z11-050/051

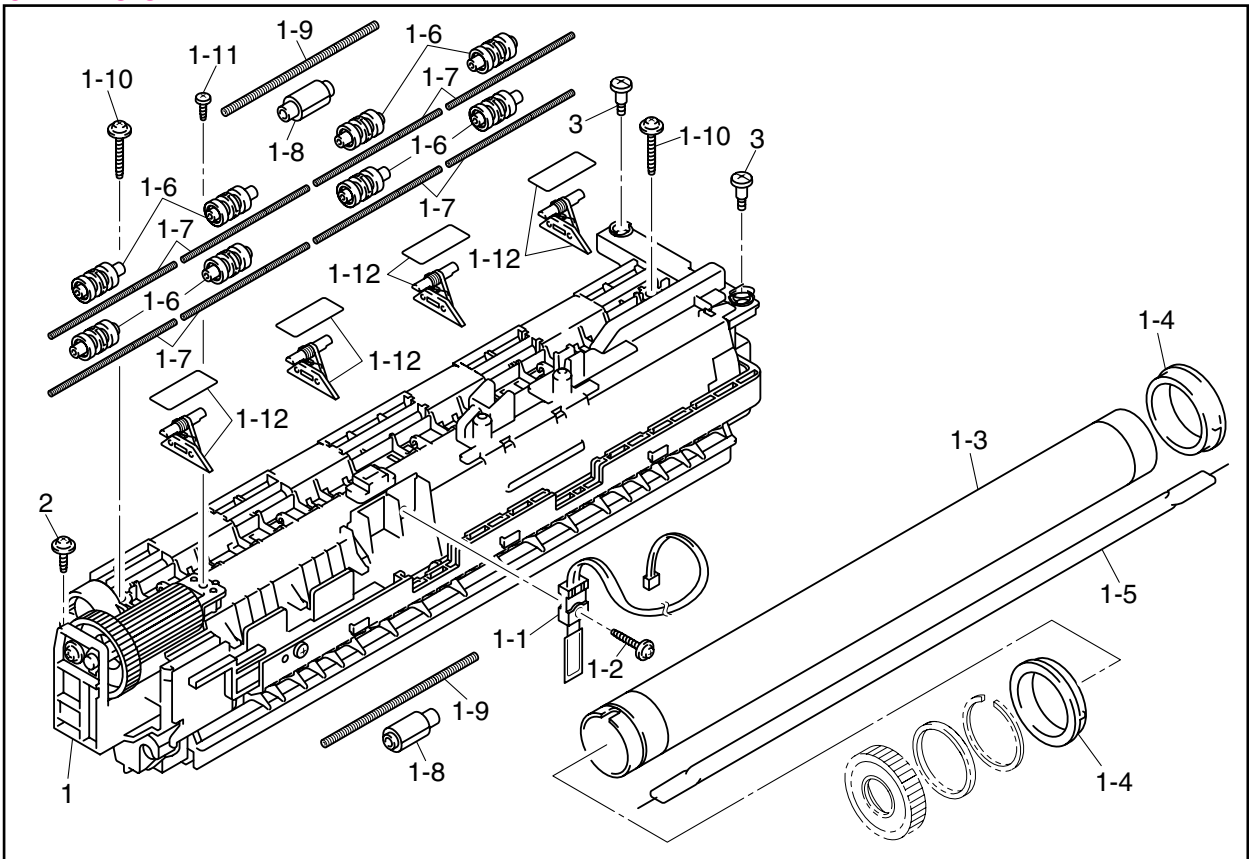
T/I NO. PR2000003 / PR2000029

4. PAPER FEEDER



MODEL MFC-P2500/HL-P2500 84U-Z11-040

5. FIXING UNIT



MODEL MFC-P2500/HL-P2500 84U-Z11-050/051

T/I NO. PR2000029

6-A. PAPER CASSETTE, LGL

REF.NO.	CODE	Q'TY	DESCRIPTION	REMARK
1	LE1162001	1	PAPER TRAY ASSY, LGL (SP)	
1-1	LJ4537001	1	PRESSURE PLATE ASSY, LGL	
1-2	UL9077001	2	PRESSURE PLATE SPRING	
1-3	UL9078001	1	SIDE GUIDE L	
1-4	UL9079001	1	SIDE GUIDE R	
1-5	U73515001	2	TAPTITE, CUP B M2.6X5	
1-6	UL9080001	2	SIDE GUIDE RACK	
1-7	UL9081001	1	SIDE GUIDE GEAR	
1-8	UL9082001	1	FRICTION SPRING	
1-9	087310815	1	TAPTITE, CUP B M3X8	
1-10	UL9083001	1	REAR PAPER GUIDE	
1-11	UL9084001	1	SEPARATION PAD HOLDER ASSY	
1-12	UL9090001	1	SEPARATION PAD SPRING	
1-13	UL9091001	1	PAPER INDICATOR	
1-14	UL9092001	1	LOCK LEVER	
1-15	LJ4534001	1	PRESSURE ROLLER HOLDER, LGL	
1-16	LJ4195001	1	PRESSURE ROLLER COLLAR	
1-17	LJ4226001	1	PRESSURE ROLLER SHAFT	
1-18	UL9095001	1	RELEASE LEVER EXTENSION SPRING	
1-19	LJ2061001	1	PAPER TRAY COVER	
1-20	UF8709001	1	TAPTITE, TORX PAN B M3X8	
1-21	LJ4272001	1	TRAY COVER FILM	
1-22	LJ4221001	1	SCRATCH SPONGE HOLDER ASSY	
1-23	LJ4200001	2	SCRATCH SPONGE SPRING	

MODEL MFC-P2500/HL-P2500 84U-Z11-045

6-B. PAPER CASSETTE, A4

REF.NO.	CODE	Q'TY	DESCRIPTION	REMARK
1	LJ4181001	1	PAPER TRAY ASSY, A4 (SP)	
1-1	UL9074001	1	PRESSURE PLATE ASSY, A4	
1-2	UL9077001	2	PRESSURE PLATE SPRING	
1-3	UL9078001	1	SIDE GUIDE L	
1-4	UL9079001	1	SIDE GUIDE R	
1-5	U73515001	2	TAPTITE, CUP B M2.6X5	
1-6	UL9080001	2	SIDE GUIDE RACK	
1-7	UL9081001	1	SIDE GUIDE GEAR	
1-8	UL9082001	1	FRICTION SPRING	
1-9	087310815	1	TAPTITE, CUP B M3X8	
1-10	UL9083001	1	REAR PAPER GUIDE	
1-11	UL9084001	1	SEPARATION PAD HOLDER ASSY	
1-12	UL9090001	1	SEPARATION PAD SPRING	
1-13	UL9091001	1	PAPER INDICATOR	
1-14	UL9092001	1	LOCK LEVER	
1-15	LJ4196001	1	PRESSURE ROLLER HOLDER, A4	
1-16	LJ4195001	1	PRESSURE ROLLER COLLAR	
1-17	LJ4226001	1	PRESSURE ROLLER SHAFT	
1-18	UL9095001	1	RELEASE LEVER EXTENSION SPRING	
1-19	LJ2061001	1	PAPER TRAY COVER	
1-20	UF8709001	1	TAPTITE, TORX PAN B M3X8	
1-21	LJ4272001	1	TRAY COVER FILM	
1-22	LJ4221001	1	SCRATCH SPONGE HOLDER ASSY	
1-23	LJ4200001	2	SCRATCH SPONGE SPRING	

MODEL MFC-P2500/HL-P2500 84U-Z11-047

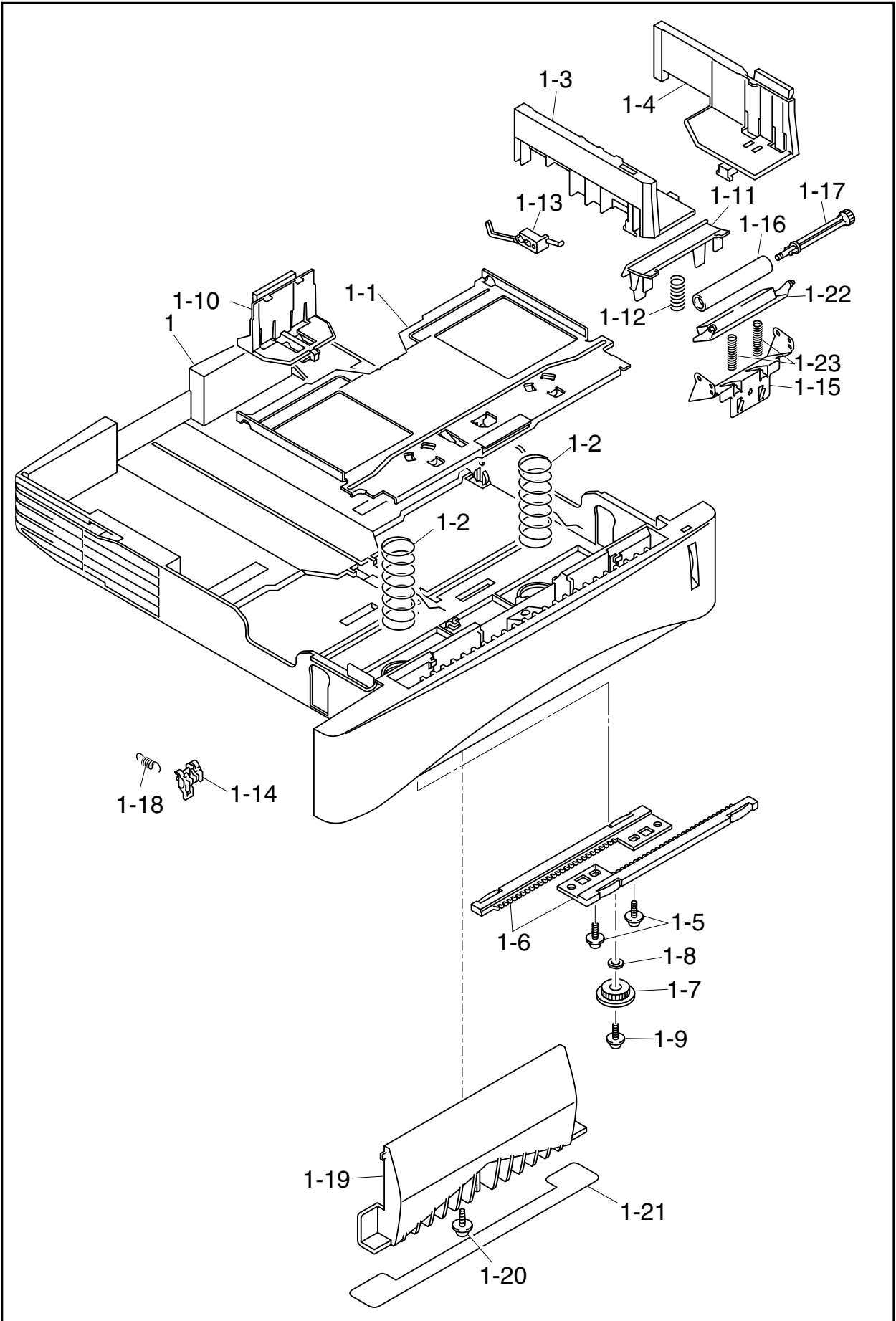
6-C. PAPER CASSETTE, LEG

REF.NO.	CODE	Q'TY	DESCRIPTION	REMARK
1	LJ4684001	1	PAPER TRAY ASSY, LEG (SP)	
1-1	UL9074001	1	PRESSURE PLATE ASSY, A4	
1-2	UL9077001	2	PRESSURE PLATE SPRING	
1-3	UL9078001	1	SIDE GUIDE L	
1-4	UL9079001	1	SIDE GUIDE R	
1-5	U73515001	2	TAPTITE, CUP B M2.6X5	
1-6	UL9080001	2	SIDE GUIDE RACK	
1-7	UL9081001	1	SIDE GUIDE GEAR	
1-8	UL9082001	1	FRICTION SPRING	
1-9	087310815	1	TAPTITE, CUP B M3X8	
1-10	UL9083001	1	REAR PAPER GUIDE	
1-11	UL9084001	1	SEPARATION PAD HOLDER ASSY	
1-12	LJ4622001	1	SEPARATION PAD SPRING 250	
1-13	UL9091001	1	PAPER INDICATOR	
1-14	UL9092001	1	LOCK LEVER	
1-15	LJ4196001	1	PRESSURE ROLLER HOLDER, A4	
1-16	LJ4195001	1	PRESSURE ROLLER COLLAR	
1-17	LJ4226001	1	PRESSURE ROLLER SHAFT	
1-18	UL9095001	1	RELEASE LEVER EXTENSION SPRING	
1-19	LJ4197001	1	PAPER TRAY COVER	
1-20	UF8709001	1	TAPTITE, TORX PAN B M3X8	
1-21	LJ4272001	1	TRAY COVER FILM	
1-22	LJ4221001	1	SCRATCH SPONGE HOLDER ASSY	
1-23	LJ4200001	2	SCRATCH SPONGE SPRING	

MODEL LJ6012MFP 84U-Z16-043

T/I NO. PR2000003

6. PAPER CASSETTE



MODEL MFC-P2500/HL-P2500 84U-Z11-045/047

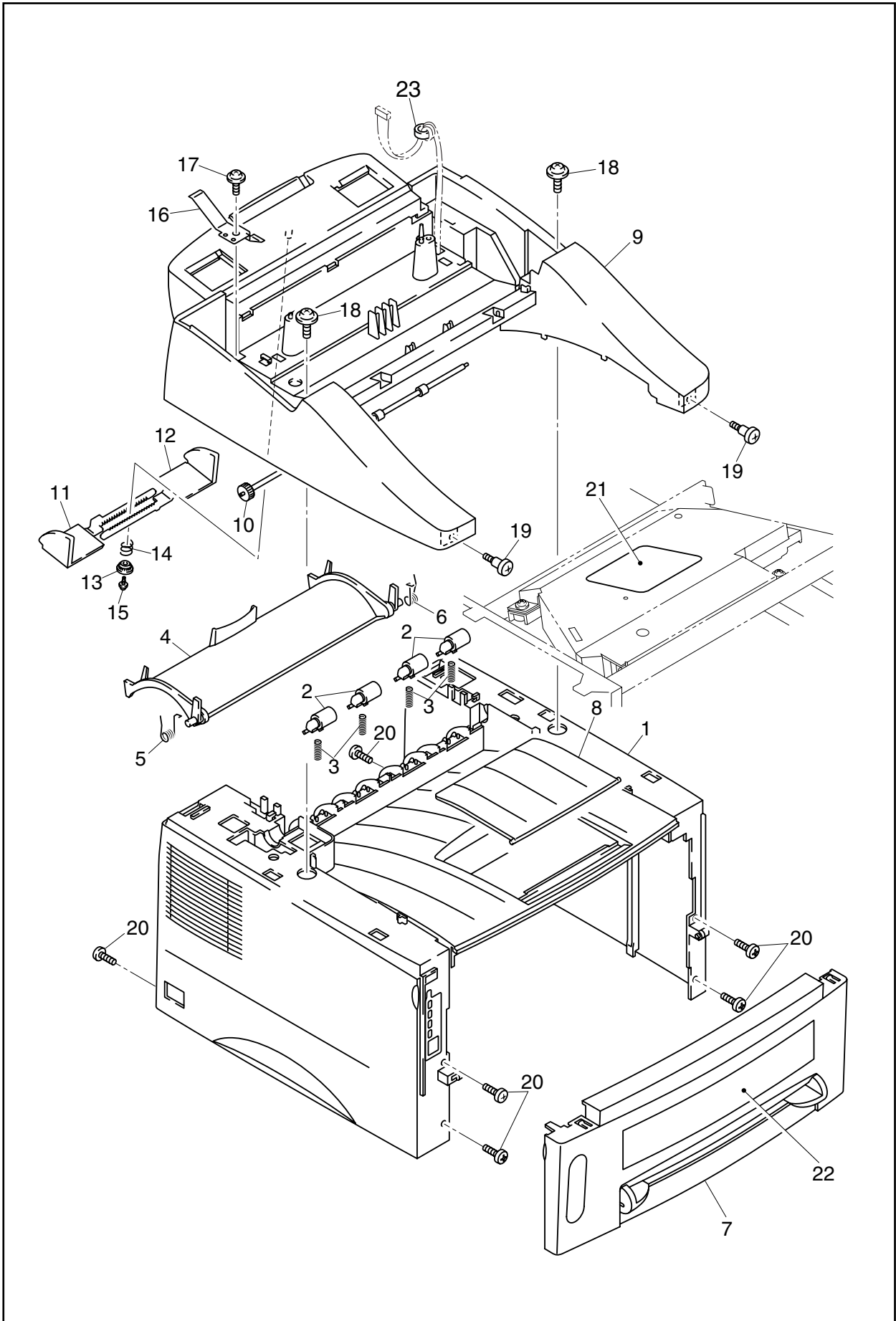
7. COVER

REF.NO.	CODE	Q'TY	DESCRIPTION	REMARK
1	LJ4122001	1	MAIN COVER ASSY	
2	UL9122001	4	PINCH ROLLER ASSY	
3	UL9125001	4	PINCH ROLLER SPRING	
4	UL9126001	1	REAR COVER	
5	UL9127001	1	REAR COVER SPRING L	
6	UL9128001	1	REAR COVER SPRING R	
7	LJ4278001	1	FRONT COVER ASSY P25	
7	LJ4733001	1	FRONT COVER ASSY P25 LEG	
8	UL9140001	1	TRAY EXTENSION FLAP	
9	LJ4280001	1	TOP COVER P25	
10	UL9142001	1	SECOND EJECT ROLLER ASSY	
11	UF6114008	1	DOCUMENT GUIDE, L	
12	UF6115008	1	DOCUMENT GUIDE, R	
13	UF4417000	1	GUIDE GEAR	
14	UF4418001	1	PRESSURE SPRING	
15	UF5034001	1	TAPTITE, B M3X6	
16	UU2047001	1	SCANNING GROUND SPRING	
17	087311016	1	TAPTITE, CUP B M3X10	
18	087321015	2	TAPTITE, CUP S M3X10	
19	UF9823001	2	SHOULDER SCREW	
20	085320816	6	TAPTITE, BIND S M3X8	
21	UL6740001	1	LASER CAUTION LABEL, EUR	
21	UL7931001	1	LASER LABEL LEGEND	
22	LJ4296001	1	MYLAR LABEL P2500, US	
22	LJ4364001	1	MYLAR LABEL P2500, CAN	
22	LJ4307001	1	MYLAR LABEL P2500, EUR	
23	UG3005000	1	FERRITE CORE: 16X8X10	

MODEL MFC-P2500/HL-P2500 84U-Z11-060

T/I NO. PR2000003

7. COVERS



MODEL MFC-P2500/HL-P2500 84U-Z11-060

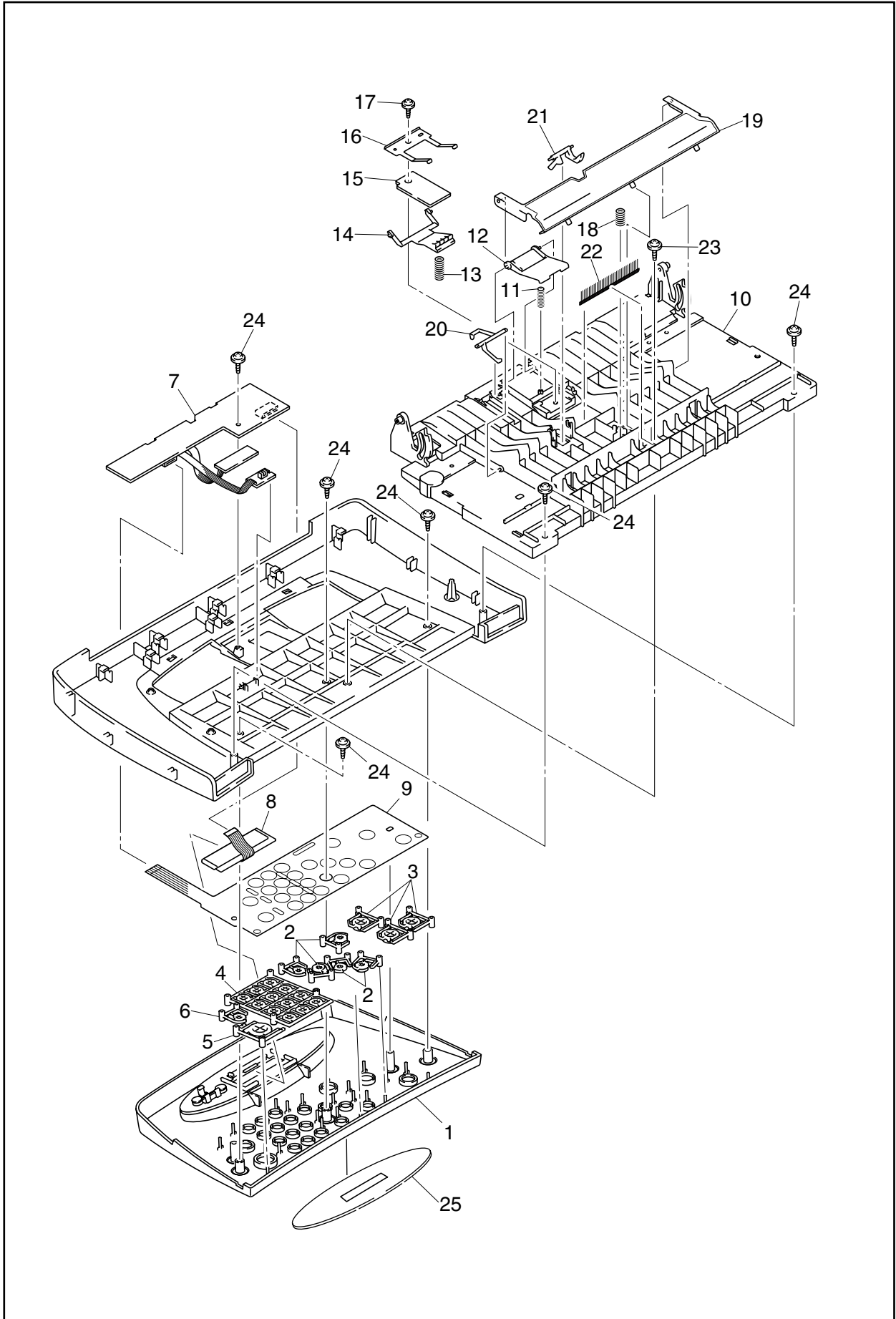
8. CONTROL PANEL

REF.NO.	CODE	Q'TY	DESCRIPTION	SYMBOL	REMARK
1	LJ4282001	1	PANEL COVER	B512063	
2	LJ4283001	5	KEY, FUNCTION 6		
3	LJ4231001	3	KEY, FUNCTION 9.5		
4	LJ4284001	1	KEY, TEN		
5	LJ4231002	1	KEY, FUNCTION 9.5 (STOP)		
6	LJ4285001	1	KEY, START		
7	LJ8071001	1	PANEL PCB ASSY		
8	UG3062001	1	LCD		
9	LJ8068001	1	FPC KEY 2500		
10	UU2005001	1	PANEL REAR COVER		
11	UU2051001	1	DOCUMENT NIP PIECE SPRING		
12	UU2052001	1	DOCUMENT NIP PIECE		
13	UU2053001	1	ADF SPRING		
14	UU2054001	1	RUBBER HOLDER		
15	UU2055001	1	SEPARATION RUBBER		
16	UU2056001	1	FRONT SPRING PLATE		
17	UF5034001	1	TAPTITE, B 3X6		
18	UU2057001	1	DOCUMENT PRESSURE BAR SPRING		
19	UU2058001	1	DOCUMENT PRESSURE BAR		
20	UU2061001	1	DOC FRONT SENSOR ACTUATOR		
21	UU2062001	1	DOC REAR SENSOR ACTUATOR		
22	LE1071001	1	ANTI-STATIC BRUSH ZLM		
23	087310815	1	TAPTITE, CUP B M3X8		
24	087311016	6	TAPTITE, CUP B M3X10		
25	LJ4287001	1	LCD COVER, US		
25	LJ4316001	1	LCD COVER, EU		
25	LJ4736001	1	LCD COVER, LEG		

MODEL MFC-P2500/HL-P2500 84U-Z11-090

T/I NO. PR2000003

8. CONTORL PANEL



MODEL MFC-P2500/HL-P2500 84U-Z11-090

9. MAIN PCB

REF.NO.	CODE	Q'TY	DESCRIPTION	SYMBOL	REMARK
1	LJ8241001	1	MAIN PCB ASSY, US (SP)	B512062-111	
1	LJ8242001	1	MAIN PCB ASSY, EU (SP)	B512062-112	
1	LJ8263001	1	MAIN PCB ASSY, CHILE (SP)	B512062-119	
1	LJ8258001	1	MAIN PCB ASSY LEG (SP)	B512062-113	
1-1	LJ8256001	1	MASK ROM		
2	LE1169001	1	USB GROUND PLATE, EU		

MODEL MFC-P2500/HL-P2500 84U-Z11-102/103

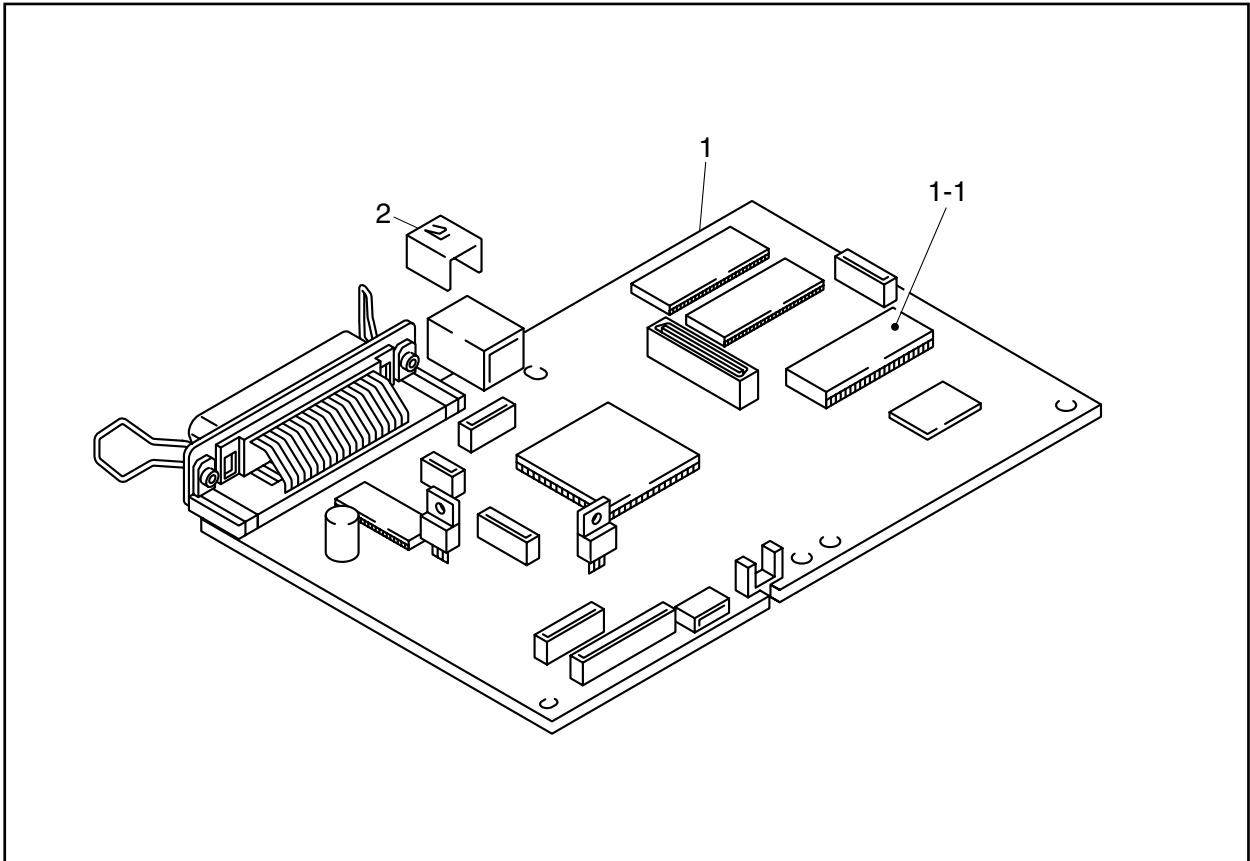
T/I NO. PR2000003

10. ENGINE PCB

REF.NO.	CODE	Q'TY	DESCRIPTION	SYMBOL	REMARK
1	LE1506001	1	ENGINE PCB ASSY (SP)	B512059-423	

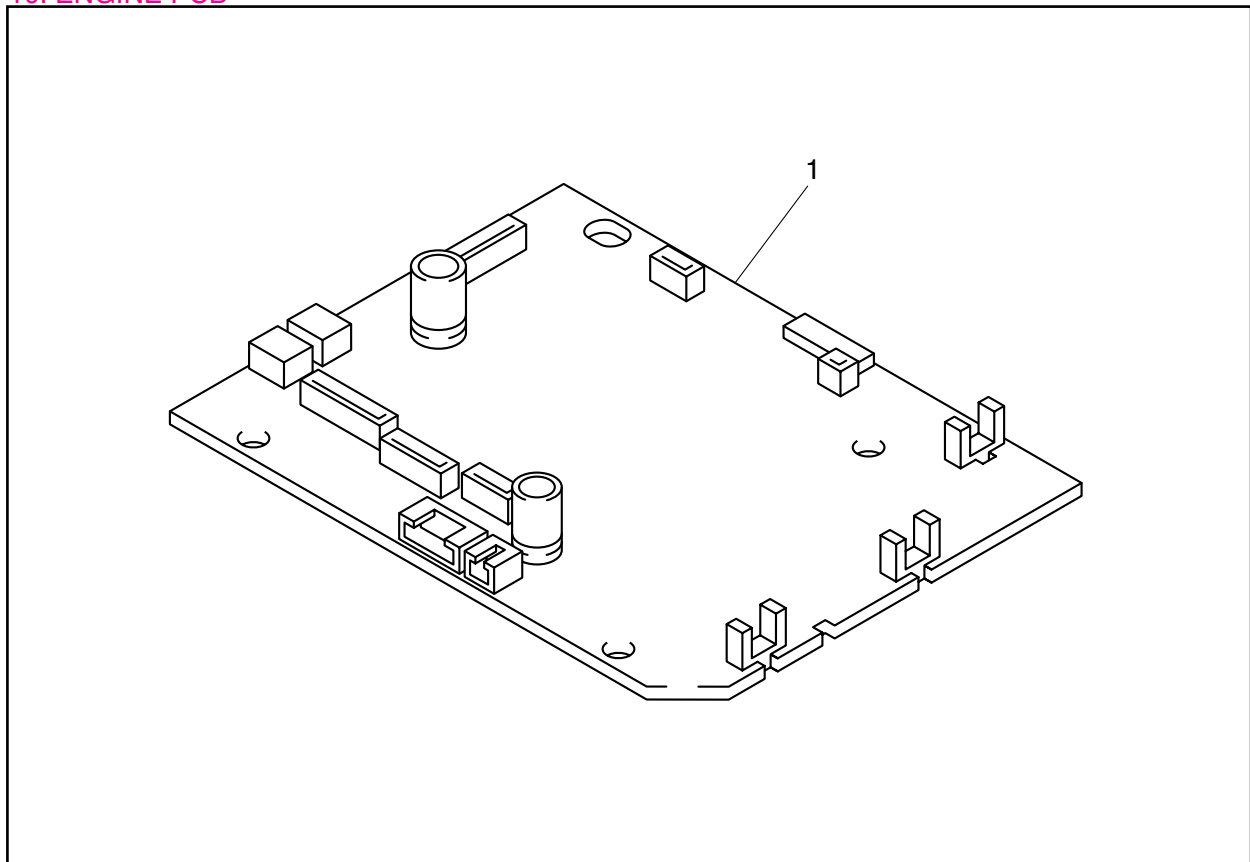
MODEL MFC-P2500/HL-P2500 84U-Z11-151

9. MAIN PCB



MODEL MFC-P2500/HL-P2500 84U-Z11-101/103

10. ENGINE PCB



MODEL MFC-P2500/HL-P2500 84U-Z11-151

11. LOW-VOLTAGE POWER SUPPLY PCB

REF.NO.	CODE	Q'TY	DESCRIPTION	SYMBOL	REMARK
1	LE1539001	1	LOW-VOLTAGE PS ASSY, 115V (SP)		
1	LJ4175001	1	LOW-VOLTAGE PS ASSY, 230V (SP)		
2	UK4426001	1	INLET UNIT, 115V		
2	UK4430001	1	INLET UNIT, 230V		
3	085320816	1	TAPTITE, BIND S M3X8		
4	087320616	1	TAPTITE, CUP S M3X6		
5	LJ4756001	1	AC INLET FILM		

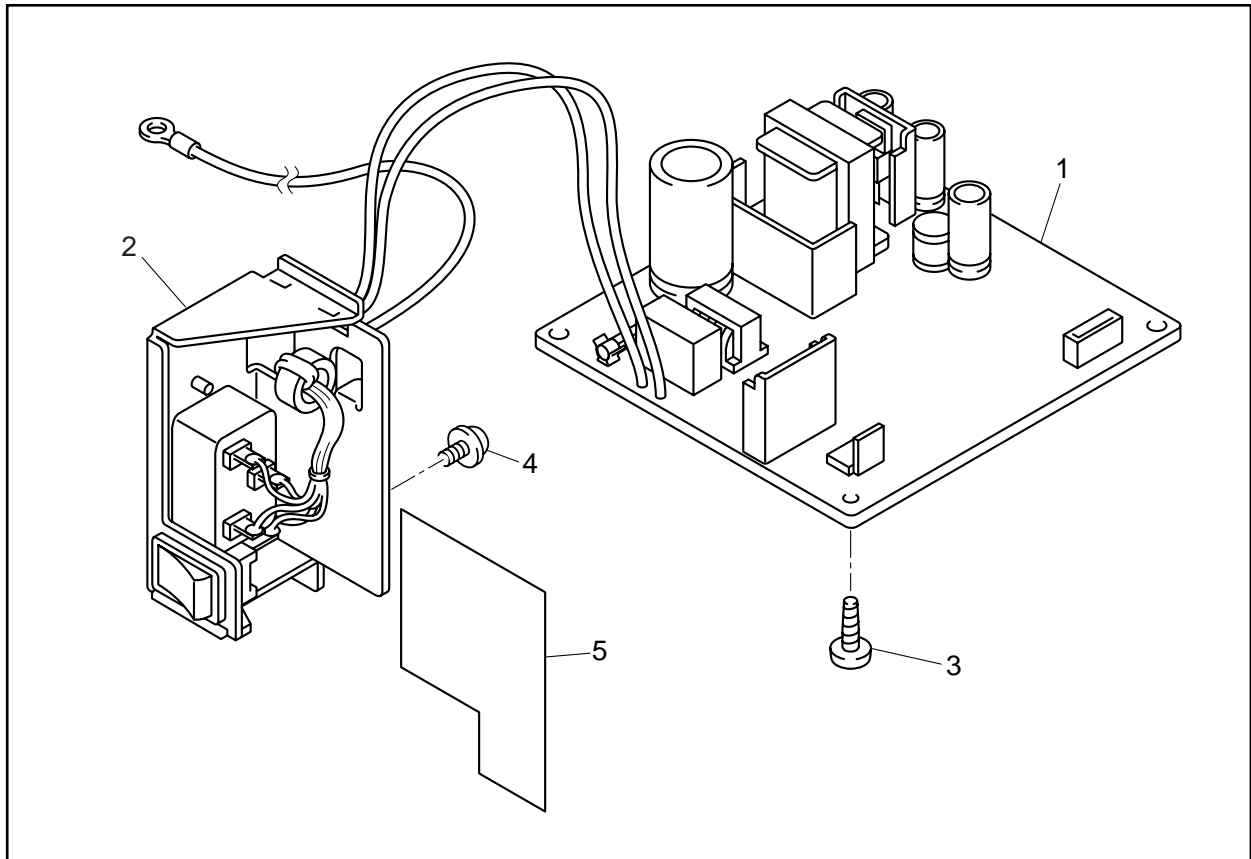
MODEL MFC-P2500/HL-P2500 84U-Z11-200/201

12. HIGH-VOLTAGE POWER SUPPLY PCB

REF.NO.	CODE	Q'TY	DESCRIPTION	REMARK
1	LJ8156001	1	HIGH-VOLTAGE PS ASSY (SP)	
2	085411215	4	SCREW BIND B TITE M4X12	

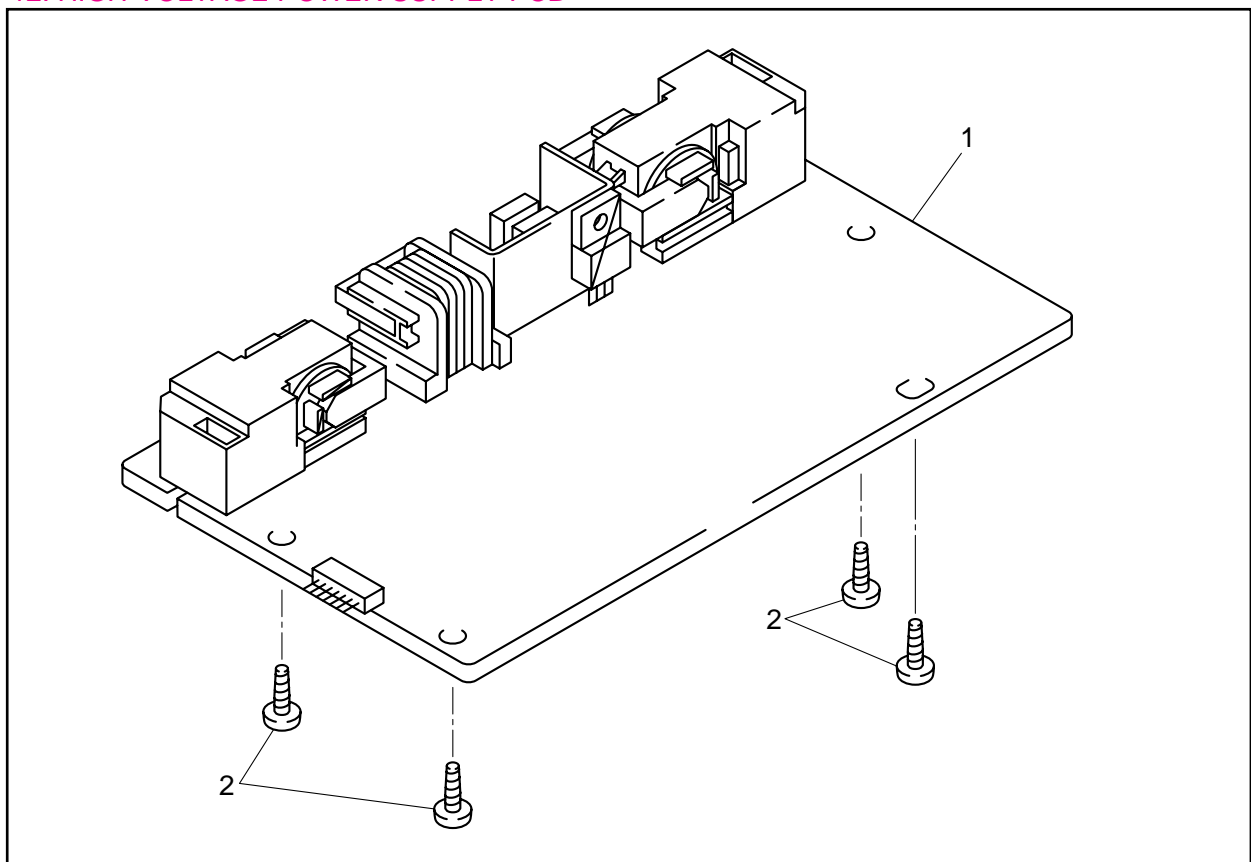
MODEL MFC-P2500/HL-P2500 84U-Z11-220

11. LOW-VOLTAGE POWER SUPPLY PCB



MODEL MFC-P2500/HL-P2500 84U-Z11-200/201

12. HIGH-VOLTAGE POWER SUPPLY PCB



MODEL MFC-P2500/HL-P2500 84U-Z11-220

13. AC CORDS

REF.NO.	CODE	Q'TY	DESCRIPTION	REMARK
1A	UH1051001	1	AC CORD, UL/CSA	
1B	UK4503001	1	AC CORD ASSY, SAA	
1C	UK4502001	1	AC CORD ASSY, SEV	
1D	UK4099001	1	AC CORD, CHLI	
1E	UH1054001	1	AC CORD, BS	
1F	U34322001	1	AC CORD #6, ISRAEL	
1G	U34320001	1	AC CORD #4, BS	
1H	UK4094001	1	AC CORD, DEMKO	
1I	UK4501001	1	AC CORD ASSY, VDE	
1J	UK3610001	1	AC CORD ASSY, CHN96	

MODEL MFC-P2500/HL-P2500 84U-Z11-230

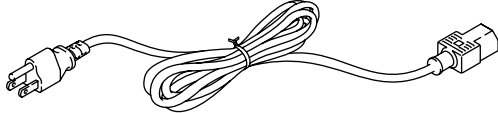
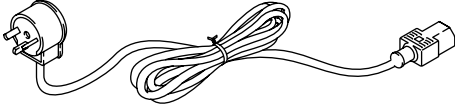


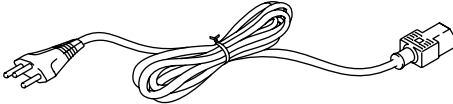
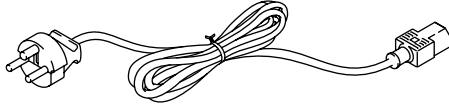
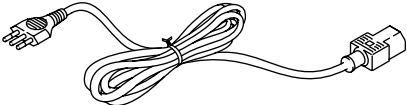
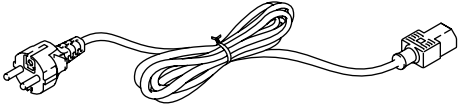
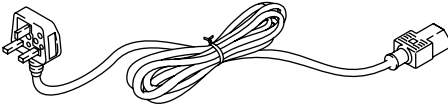

T/I NO. PR2000003

14. ACCESSORIES

REF.NO.	CODE	QTY	DESCRIPTION	REMARK
1	UU2080001	1	DOCUMENT SET TRAY ASSY	
2	UU2069001	1	PAPER EJECT TRAY ASSY	
3	UG4558001	1	I/F CABLE FE	

MODEL MFC-P2500/HL-P2500 84U-Z11-910

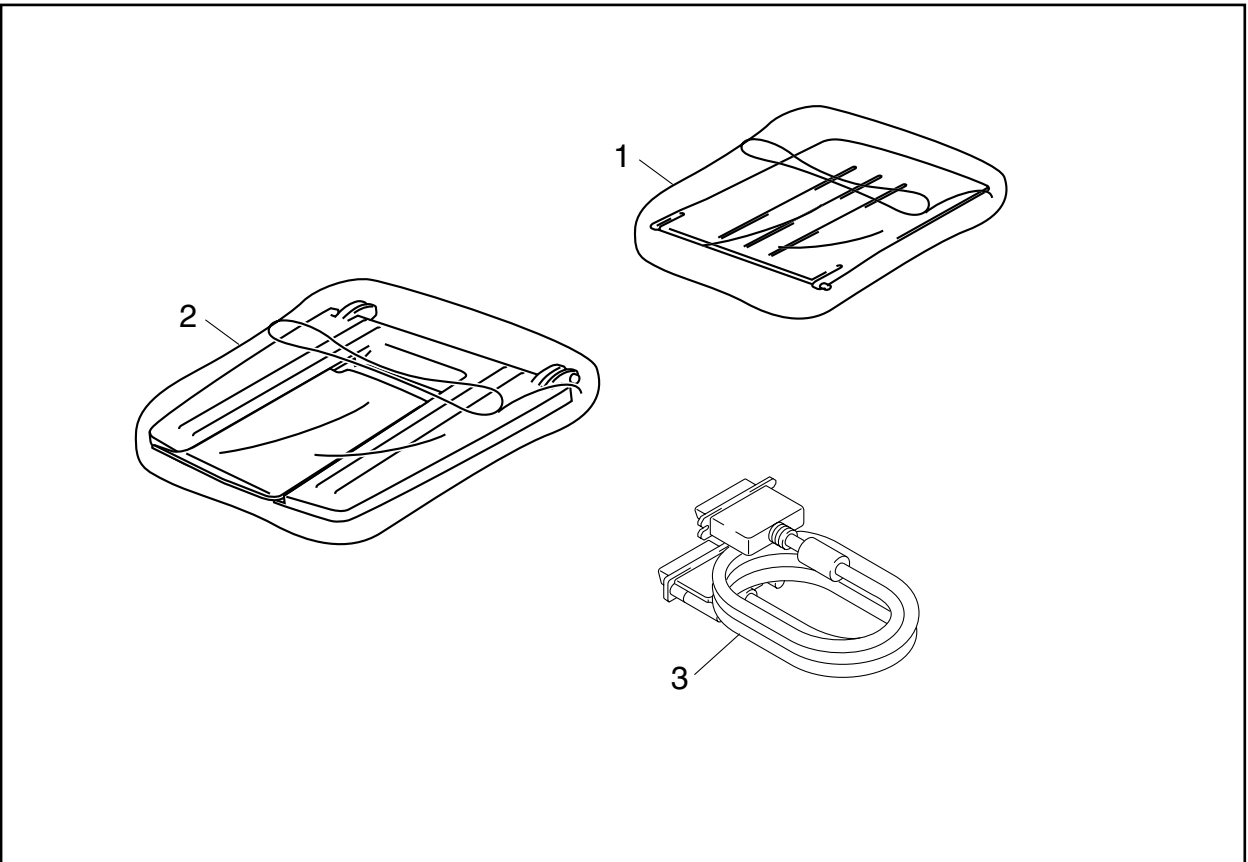
13. AC CORD

1A		1F	
1B		1G	
1C		1H	
1D		1I	
1E		1J	

T/I NO.PR2000003

MODEL MFC-P2500/HL-P2500 84U-Z11-230

14. ACCESSORIES



MODEL MFC-P2500/HL-P2500 84U-Z11-910

15. DOCUMENTS

REF.NO.	CODE	Q'TY	DESCRIPTION	REMARK
1	LJ4291001	1	CD ASSY US	
1	LJ4308001	1	CD ASSY EU	
1	LJ8247001	1	CD ASSY LEG	
2	LJ4292001	1	SET GUIDE, US	
2	LJ4309001	1	SET GUIDE, GER	
2	LJ4366001	1	SET GUIDE, FRA	
2	LJ4376001	1	SET GUIDE, NL	
2	LJ4373001	1	SET GUIDE, NOR	
2	LJ4396001	1	SET GUIDE, SWE	
2	LJ4388001	1	SET GUIDE, SPA	
2	LJ4392001	1	SET GUIDE, ITA	
3	LJ4812001	1	WIN2000 QUICK SETUP GUIDE, US	
3	LJ4813001	1	WIN2000 QUICK SETUP GUIDE, GER	
3	LJ4814001	1	WIN2000 QUICK SETUP GUIDE, FRA	
3	LJ4815001	1	WIN2000 QUICK SETUP GUIDE, NOR	
3	LJ4816001	1	WIN2000 QUICK SETUP GUIDE, NL	
3	LJ4817001	1	WIN2000 QUICK SETUP GUIDE, SPA	
3	LJ4818001	1	WIN2000 QUICK SETUP GUIDE, ITA	
3	LJ4819001	1	WIN2000 QUICK SETUP GUIDE, SWE	
4	UE2014001	1	BAG, 215X350H	

MODEL MFC-P2500/HL-P2500 84U-Z11-920

T/I NO. PR2000003 / PR2000022

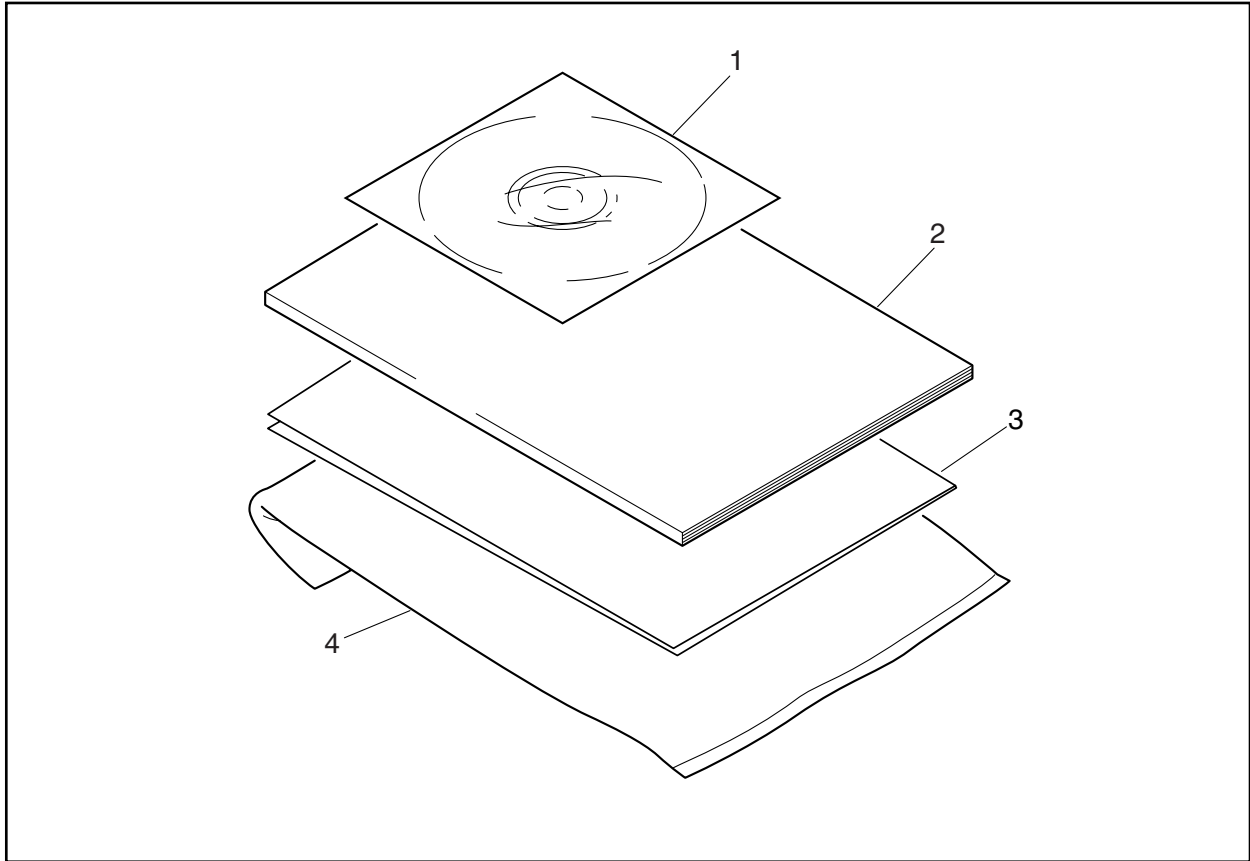
16. PACKING MATERIALS

REF.NO.	CODE	QTY	DESCRIPTION	REMARK
1	LJ4300001	1	CARTON, P2500 US	
1	LJ4367001	1	CARTON, P2500 CAN	
1	LJ4311001	1	CARTON, P2500 EU	
1	LL0173001	1	CARTON, P2500 LEG	
2	LJ4301001	1	SF ASSY P2500	
3	UE3031001	1	BAG, 800X900H	
4	UE3122001	1	CARTON FOR MANUAL	

MODEL MFC-P2500/HL-P2500 84U-Z11-930

T/I NO. PR2000003

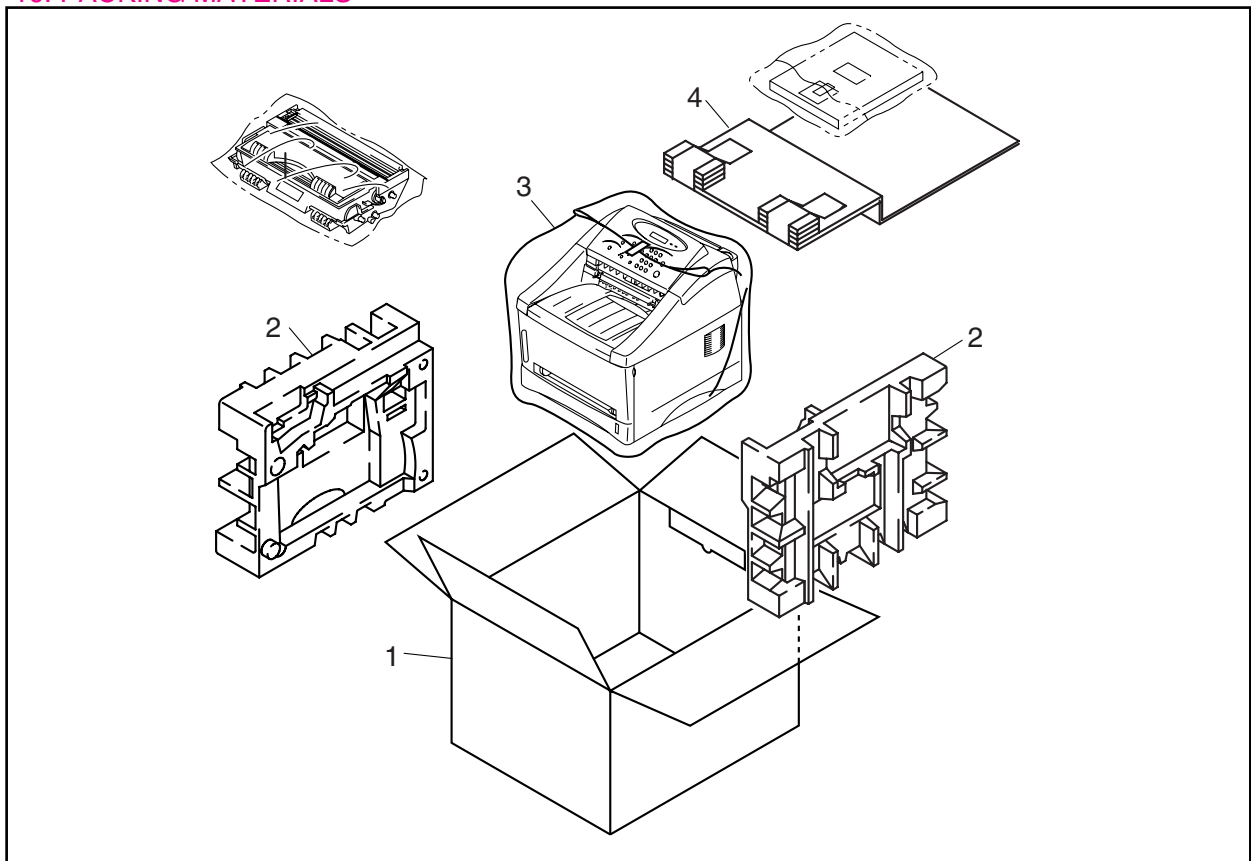
15. DOCUMENTS



T/I NO. PR2000022

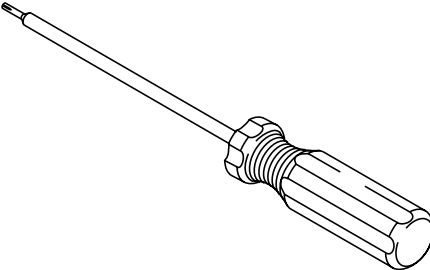
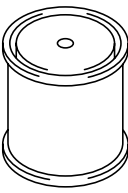
MODEL MFC-P2500/HL-P2500 84U-Z11-920

16. PACKING MATERIALS



MODEL MFC-P2500/HL-P2500 84U-Z11-930

17. ADJUSTING TOOL

<div style="display: flex; justify-content: space-between; align-items: center;"> <div style="text-align: center;"> <p>PRT-402</p>  </div> <div style="text-align: center;"> <p>PRT-001a/001b/001f</p>  </div> </div>		
TOOL NO.	TOOL NAME	REMARK
PRT-402	TORX SCREW DRIVER	
PRT-001a	MOLYKOTE EM-30L	
PRT-001b	MOLYKOTE EMD-110	
PRT-001f	MOLYKOTE PG-662	

MODEL MFC-P2500/HL-P2500 84U-Z11