

brother®

LASER PRINTER

PARTS REFERENCE LIST

MODEL:HL-760

MECHANISMS & ELECTRONICS

NOTE FOR USING THIS PARTS REFERENCE LIST

1. In the case of ordering parts, it needs mentioning the following items:

- (1) Code
- (2) Q'ty
- (3) Description
- (4) Symbol (PCB No., Revision , and Parts location mounted on the PCB.)

Note : No orders without Parts Code or Tool No. can be accepted.

< Example >

REF.NO.	SYMBOL	CODE	Q'TY	DESCRIPTION	REMARKS

Revision No. : marked on the printed circuit board.

B48K056 - 201A



2. Design-changed parts:

If the parts are changed, any one of the following symbols is indicated in the REMARKS column.

- #A : compatible between old and new
- #B : replaceable from old to new
- #D : incompatible
- # : newly established

3. The original of this list was made based on the information available in July, 1996.

4. Parts are subject to change in design without prior notice.

CONTENTS

PCB SILK-SCREEN PRINTING DRAWING	1
GENERAL DRAWING	2
POWER CORDS & PACKING DRAWING	3
1. FRAME / DRIVE	4
2. SCANNER	4
3. PAPER TRAY	5
4. FIXING UNIT	5
5. CABINET	6
6. MAIN PCB	7
7. PANEL / SENSOR PCB	7
8. LOW-VOLTAGE POWER SUPPLY UNIT	8
9. HIGH-VOLTAGE POWER SUPPLY UNIT	8
10. POWER CORDS	9
11. PACKING	9
12. DOCUMENTS	10
13. ADJUSTING TOOL KIT	11

Fig.1 MAIN PCB

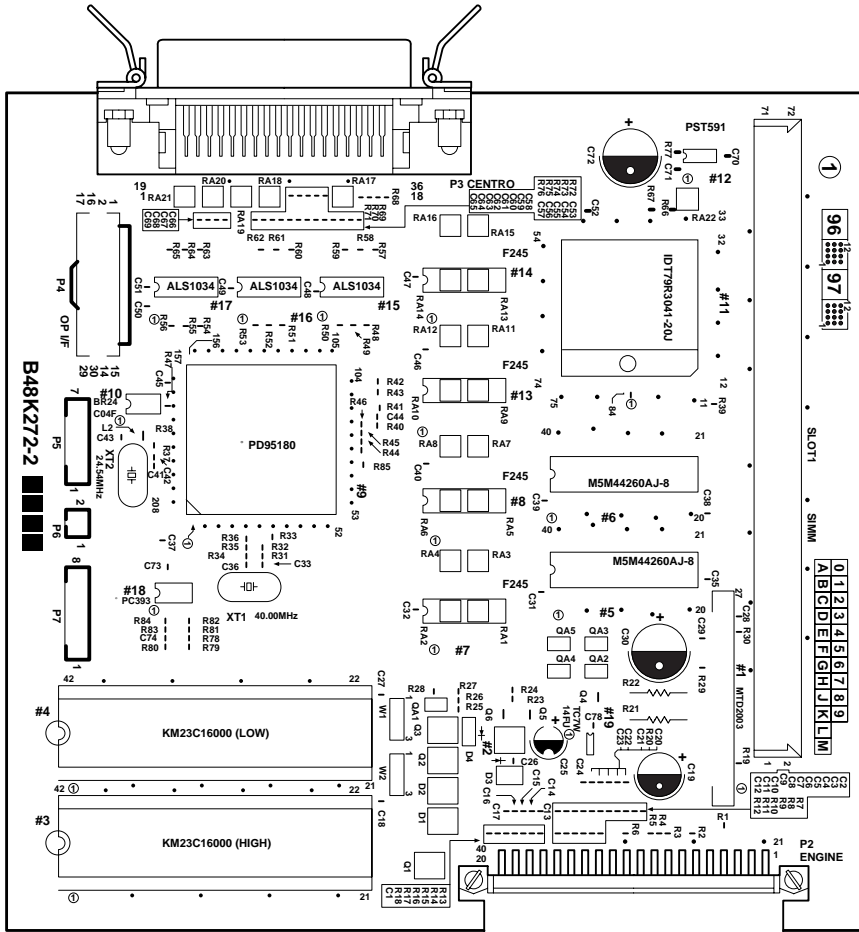
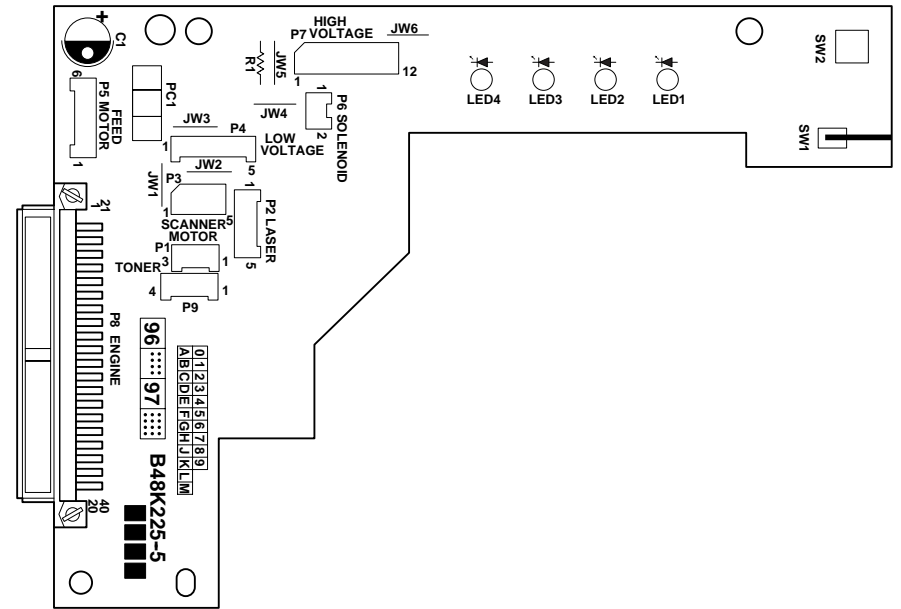
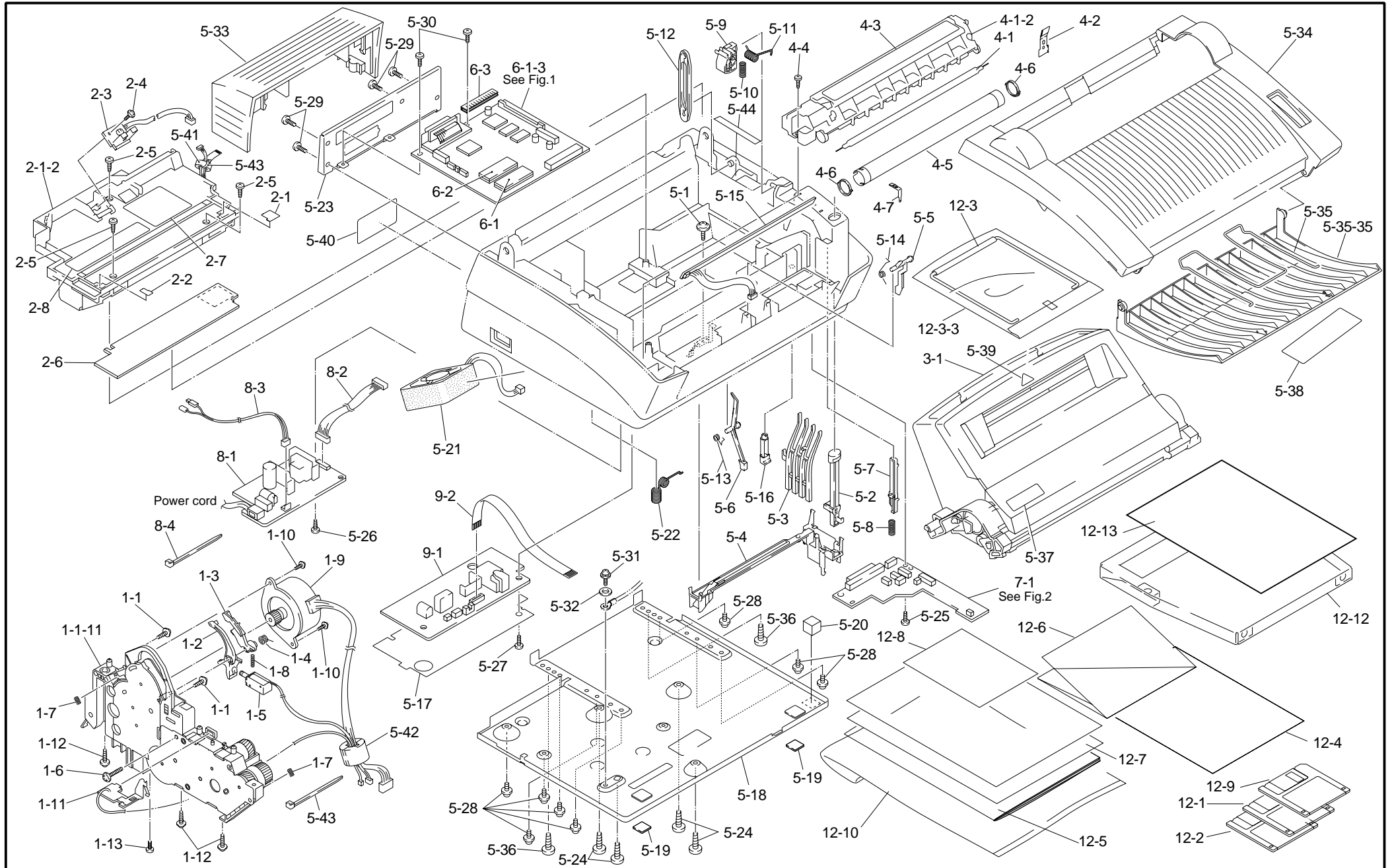



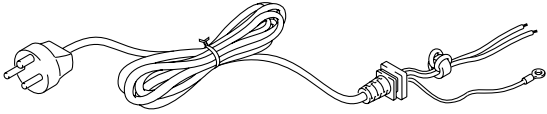
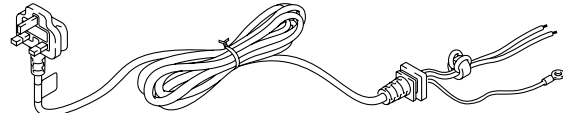
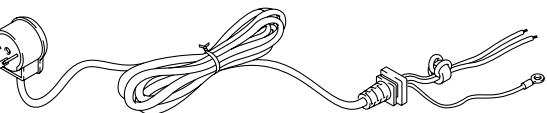
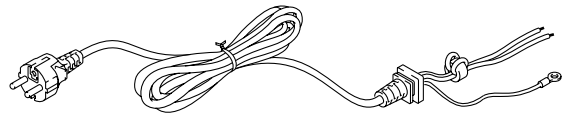
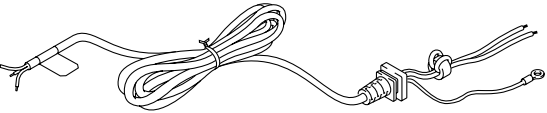

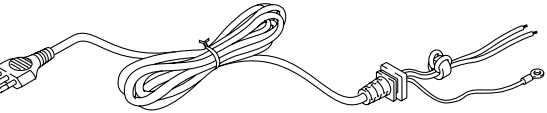
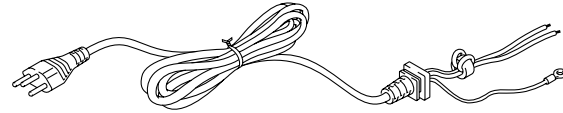

Fig.2 PANEL/SENSOR PCB

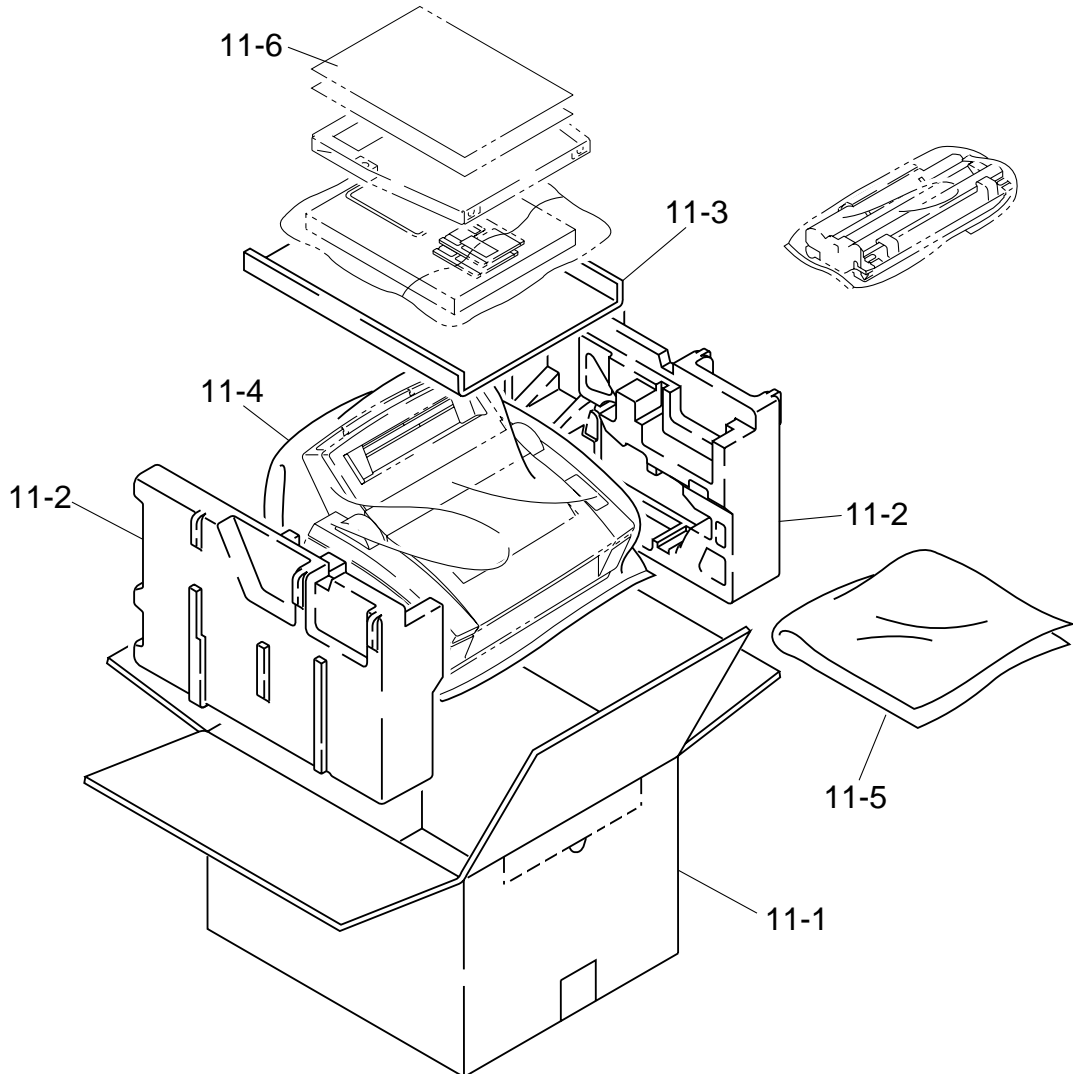


GENERAL DRAWING



POWER CORDS & PACKING DRAWING

10-			
1A		1F	
1B		1G	
1C		1H	
1D		1I	
1E		1J	



MODEL HL-760 84U-701-230/930

1. FRAME / DRIVE

REF.NO.	SYMBOL	CODE	Q'TY	DESCRIPTION	REMARK
1-11		UL6997001	1	DRIVE UNIT (SP)	
1		087411615	2	TAPTITE, CUP B M4X16	
2		UL6573000	1	PAPER PICK-UP SOLENOID LEVER	
3		UL6574000	1	CLUTCH RELEASE LEVER	
4		UL6575001	1	SOLENOID LEVER RETURN SPRING	
5		UL6576001	1	PAPER PICK-UP SOLENOID ASSY	
6		087322015	1	TAPTITE, CUP S M3X20	
7		UL6577001	2	CLUTCH GEAR SPRING	
8		UL6579001	1	CLUTCH HOLDER SPRING	
9		UL6578001	1	MAIN MOTOR ASSY	
10		087320616	2	TAPTITE, CUP S M3X6	
11	B48K230-3	UK3125001	1	DRUM GROUND PCB ASSY	
12		087412016	3	TAPTITE, CUP B M4X20	
13		085411215	1	TAPTITE, BIND B M4X12	

MODEL HL-760 84U-701-010

2. SCANNER

REF.NO.	SYMBOL	CODE	Q'TY	DESCRIPTION	REMARK
1-2		UL6875001	1	SCANNER UNIT (SP)	
1		UL6614001	1	S SHEET 1	
2		UL6615001	1	S SHEET 2	
3	B48K231-5	UK3073001	1	TONER SENSOR PCB ASSY	
4		087310815	1	TAPTITE, CUP B M3X8	
5		085411215	3	TAPTITE, BIND B M4X12	
6		UL6611001	1	S SEAL SPONGE 1	
7		UL6740001	1	LASER CAUTION LABEL, EUR	
7		UL7931001	1	LASER CAUTION LABEL, LEGEND	
8		UL6741001	1	CAUTION LABEL, TONER	

MODEL HL-760 84U-701-020

3. PAPER TRAY

REF.NO.	CODE	Q'TY	DESCRIPTION	REMARK
1	UL6876001	1	MP TRAY ASSY, GRAY1227	

MODEL HL-760 84U-701-040

4. FIXING UNIT

REF.NO.	CODE	Q'TY	DESCRIPTION	REMARK
1-2	UL6877001	1	FIXING UNIT, 120V (SP)	
1-2	UL6878001	1	FIXING UNIT, 240V (SP)	
1-2	UL7934001	1	FIXING UNIT, 240V LEGEND (SP)	
1	UL6879001	1	FU LAMP, 120V (SP)	
1	UL6880001	1	FU LAMP, 240V (SP)	
2	UL6616001	1	CLEANER ASSY	
3	UL6688001	1	CAUTION LABEL	
3	UL7928001	1	CAUTION LABEL, LEGEND	
4	085411215	1	TAPTITE, BIND B M4X12	
5	UL0984001	1	HEAT ROLLER ASSY (SP)	
6	UL6673001	1	H/R BEARING	
7	UL6677000	1	ELECTRODE PLATE	

MODEL HL-760 84U-701-050/051/053

5. CABINET

REF.NO.	SYMBOL	CODE	Q'TY	DESCRIPTION	REMARK
1		087310815	6	TAPTITE, CUP B M3X8	
2		UL6714001	1	SW KEY, GRAY1227	
3		UL6715001	1	PANEL LIGT GUIDE	
4		UL6716001	1	DUCT LID, GRAY1227	
5		UL6936001	1	PAPER EJECT ACTUATOR ASSY, BLACK	
6		UL6935001	1	REGIST SENSOR ACTUATOR ASSY, BLACK	
7		UL6719000	1	INTERLOCK LEVER	
8		UL6720001	1	SPRING, COMPRESSION	
9		UL6721000	1	LOCK LEVER	
10		UL6722001	1	SPRING, COMPRESSION	
11		UL6723001	1	PR LOCK SPRING	
12		UL6729000	1	TOP COVER LINK	
13		UL6930001	1	SPRING, TORSION	
14		UL6931001	1	SPRING, TORSION EX	
15	B48K228-2	UL6887001	1	EL PCB UNIT	
16		UL6853001	1	DENSITY DIAL, GRAY1252	
17		UL6725000	1	INSULATION SHEET	
18		UL7552001	1	BASE PLATE YL3	
19		UL5600001	2	RUBBER FOOT	
20		UL6864001	1	PCB SUPPORT	
21		UL6934001	1	FAN MOTOR ASSY	
22		UL6973000	1	DRUM GROUND SPRING	
23		UL7554001	1	I/F SHIELD ASSY YL3	
24		085411215	4	TAPTITE, BIND B M4X12	
25		085411215	1	TAPTITE, BIND B M4X12	
26		085411215	1	TAPTITE, BIND B M4X12	
27		085411215	1	TAPTITE, BIND B M4X12	
28		087320616	8	TAPTITE, CUP S M3X6	
29		002400616	4	SCREW, PAN M4X6	
30		087320616	2	TAPTITE, CUP S M3X6	
31		UL6915001	1	SCREW, PAN (WASHER) M4X6	
32		025040235	1	WASHER, PLAIN M 4	
33		UL7556001	1	SUB COVER, GRAY1227	
34		UL6703001	1	TOP COVER, GRAY1227	
35-35		UL6735001	1	PAPER EJECT TRAY ASSY, GRAY1227	
35		UL6736001	1	PAPER EJECT TRAY EXTENSION	
36		085411215	2	TAPTITE, BIND B M4X12	
37		UL7909001	1	MODEL PLATE, 760+ USA/CAN	
37		UL6972001	1	MODEL PLATE, 760 EUR	
37		UL7910001	1	MODEL PLATE, 760DX+, USA/CAN	
37		UL7779001	1	MODEL PLATE, LJ6P+, LEGEND	
38		UL7911001	1	MYLAR LABEL, 760+, USA	
38		UL7912001	1	MYLAR LABEL, 760+, CAN	
39		UL5738001	1	PAPER SET LABEL, USA/CAN	
40		UH0905001	1	PATENT LABEL, USA/CSA	
41		UG3005000	1	FERRITE CORE:16X8X10	
42		UK3617000	1	CORE:TFC-16813	
43		J02101051	2	BINDER 2.3X79	
44		UL7940001	1	GUIDE FILM	

MODEL HL-760 84U-701-060

6. MAIN PCB

REF.NO.	SYMBOL	CODE	Q'TY	DESCRIPTION	REMARK
1-3	B48K272-210F	UK3605001	1	MAIN PCB ASSY (SP)	
1	#3	UK3696001	1	MASK ROM:23C16000-HI	
2	#4	UK3697001	1	MASK ROM:23C16000-LO	
3		UL7808001	1	EDGE GUARD	

MODEL HL-760 84U-701-103

TI NO.96-P059 / 96-P061 / 96-P071 / 97-P008 / 97-P010 / 97-P037 / PR97162

7. PANEL / SENSOR PCB

REF.NO.	SYMBOL	CODE	Q'TY	DESCRIPTION	REMARK
1	B48K225-500C	UK3189001	1	PANEL/SENSOR PCB ASSY (SP)	

MODEL HL-760 84U-701-151

8. LOW-VOLTAGE POWER SUPPLY UNIT

REF.NO.	SYMBOL	CODE	Q'TY	DESCRIPTION	REMARK
1	REV.B	UK3118001	1	PS PCB ASSY, 115V (SP)	
1	REV.B	UK3119001	1	PS PCB ASSY, 230V (SP)	
2		UK3061001	1	LV HARNESS ASSY	
3		UK3062001	1	HEATER HARNESS ASSY	
4		J02101051	1	BINDER 2.3X79	

MODEL HL-760 84U-701-202/203

TI NO.96-P064 / 97-P001

9. HIGH-VOLTAGE POWER SUPPLY UNIT

REF.NO.	SYMBOL	CODE	Q'TY	DESCRIPTION	REMARK
1		UK3192001	1	HIGH-VOLTAGE PS PCB ASSY (SP)	
2		UK3059000	1	HV FLAT CABLE 12	

MODEL HL-760 84U-701-220

10. POWER CORDS

REF.NO.	CODE	Q'TY	DESCRIPTION	REMARK
1A	UK3135001	1	AC CORD ASSY, USA	
1B	UK3138001	1	AC CORD ASSY, UK	
1C	UK3141001	1	AC CORD ASSY, EUR	
1D	UK3144001	1	AC CORD ASSY, SAA	
1E	UK3147001	1	AC CORD ASSY, SEV	
1F	UK3971001	1	AC CORD ASSY, DEMKO	
1G	UK3151001	1	AC CORD ASSY, HEB	
1H	UK3152001	1	AC CORD ASSY, S.AF	
1I	UK3217001	1	AC CORD ASSY, CHLI	
1J	UK3831001	1	AC CORD ASSY, CHN	

MODEL HL-760 84U-701-230

TI NO. 97-P046 / PR97146 / PR98037

11. PACKING

REF.NO.	CODE	Q'TY	DESCRIPTION	REMARK
1	UE2213001	1	CARTON, USA/CAN HL-760+	
1	UE2144001	1	CARTON, EUR HL-760	
1	UE2214001	1	CARTON, USA/CAN HL-760DX+	
1	UE2187001	1	CARTON, LJ6P+ LEGEND	
2	UE2145000	1	STYROFORM PAD ASSY, HL-YL3	
3	UE2180000	1	CARTON, SF ASSY YL3	
4	UE2126001	1	BAG, 700X800H (BODY)	
5	UE2108001	1	SHEET, 200X300 (BODY)	
6	UH3373001	1	NO RETURN FORM, US	
6	UH3295001	1	RETURN FORM, CANADA	

MODEL HL-760 84U-701-930

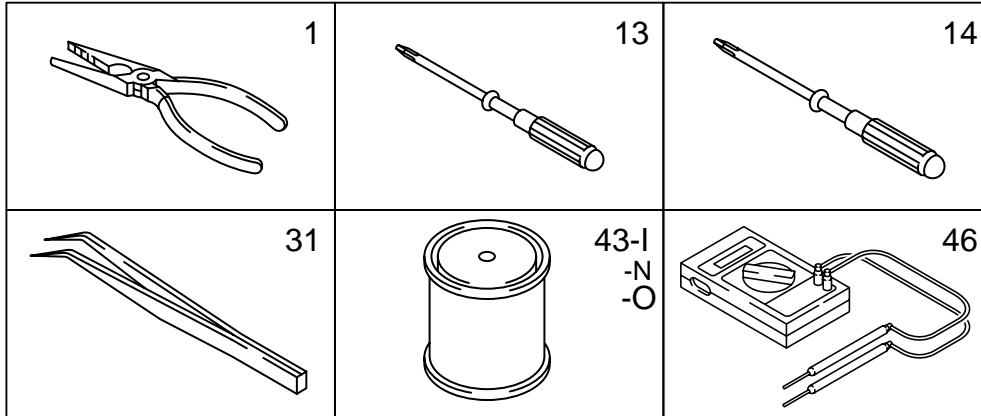
TI NO.96-P051 / 96-P075 / 97-P026 / 97-P044 / 97-P046 / PR97158 / PR98032 / PR98036

12. DOCUMENTS

REF.NO.	CODE	Q'TY	DESCRIPTION	REMARK
1	UK3716001	1	PRINTER DRIVER ASSY 1, HL-760	
1	UK3657001	1	PRINTER DRIVER ASSY 1, LJ6P+ LEGEND	
2	UK3718001	1	PRINTER DRIVER ASSY 2, HL-760	
2	UK3659001	1	PRINTER DRIVER ASSY 2, LJ6P+ LEGEND	
9	UK3676001	1	PRINTER DRIVER ASSY 3, HL-760+	
9	UK3714001	1	PRINTER DRIVER ASSY 4, NT 4.0 CANADA	
3-3	UE2188001	1	TRAY EXTENSION BAG ASSY	
3	UL7158001	1	TE TUBE	
4	UL7487001	1	SET GUIDE 2, USA	
4	UL7488001	1	SET GUIDE 2, FRA	
4	UL7489001	1	SET GUIDE 2, GER	
4	UL7490001	1	SET GUIDE 2, NOR	
4	UL7491001	1	SET GUIDE 2, NLD	
4	UL7494001	1	SET GUIDE 2, DEN	
4	UL7492001	1	SET GUIDE 2, ITA	
4	UL7493001	1	SET GUIDE 2, SWE	
5	UL6975001	1	USER'S MANUAL 2, USA HL-760	
5	UL6981001	1	USER'S MANUAL 2, FRA HL-760	
5	UL6978001	1	USER'S MANUAL 2, GER HL-760	
5	UL6987001	1	USER'S MANUAL 2, NOR HL-760	
5	UL6984001	1	USER'S MANUAL 2, NLD HL-760	
5	UL7577001	1	USER'S MANUAL 2, DEN HL-760	
5	UL6992001	1	USER'S MANUAL 2, ITA HL-760	
5	UL6989001	1	USER'S MANUAL 2, SWE HL-760	
6	UL6859001	1	WARRANTY CARD, USA	
6	UH2693001	1	WARRANTY CARD, CAN	
6	UL7581001	1	WARRANTY CARD, FRA2	
6	237703001	1	WARRANTY CARD, DUTCH	
6	UL7484001	1	WARRANTY CARD, CAN2	
7	UL7426001	1	SC INSERTION SHEET, USA	
8	UL6976001	1	ACCESSORY ORDER FORM, HL-760	
8	UL3294001	1	ACCESSORY ORDER FORM, CANADA	
10	UE2014001	1	BAG, 215X350H (DOCUMENTS)	
12	UL6955001	1	DUST COVER	
13	UL6996001	1	INSERTIN DC	

MODEL HL-760 84U-701-920

13 . ADJUSTING TOOL KIT



TOOL NO.	TOOL NAME
ZX-1	PLIERS (150MM)
ZX-13	SCREWDRIVER, PHILLIPS (NO-1)
ZX-14	SCREWDRIVER, PHILLIPS (NO-2)
ZX-31	TWEEZERS (150MM)
ZX-43I	LUBRICATING GREASE (FLOIL GE-676)
ZX-43N	LUBRICATING GREASE(MOLYKOTE EM-30L)1KG
ZX-43O	LUBRICATING GREASE(MOLYKOTE EM-D110)1KG
ZX-46	TESTER (MD-200C)