



LASER PRINTER

PARTS REFERENCE LIST



HL- 660

NOTE FOR USING THIS PARTS REFERENCE LIST

1. In the case of ordering parts, it needs mentioning the following items:

- (1) Code
- (2) Q'ty
- (3) Description
- (4) Revision No. (for a kind of printed circuit boards)

Note : No orders without Parts Code or Tool No. can be accepted.

< Example >

REF.NO.	CODE	Q'TY	DESCRIPTION	REMARKS

(5) Revision No. : marked on a printed circuit board.

B48K056 - 201 A

----- Design change indication
 ----- Specification No.
 ----- Pattern alteration No.
 ----- Circuit board No.

2. Design-changed parts:

If the parts are changed, any one of the following symbols is indicated in the REMARKS column.

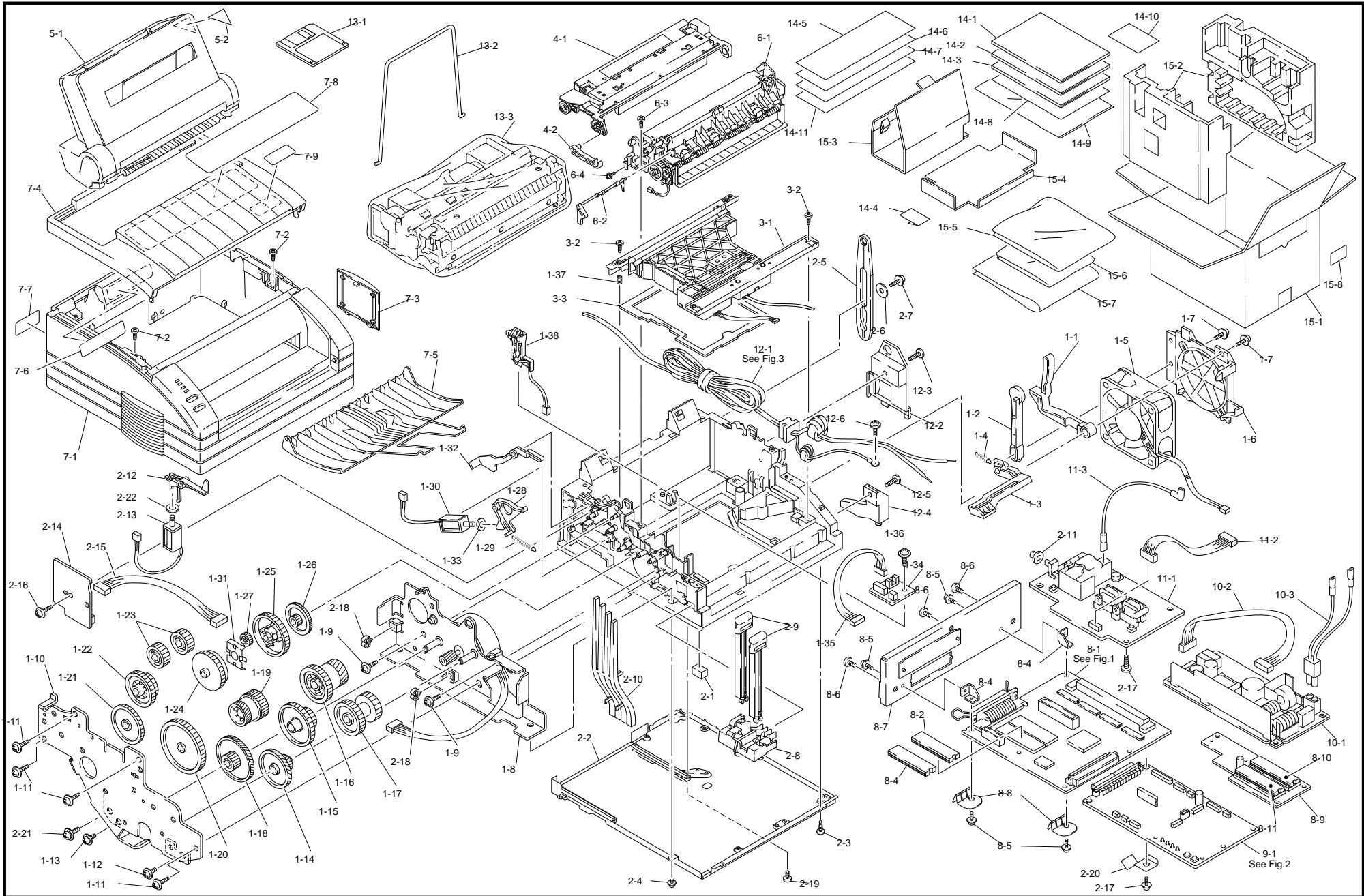
- #A : compatible between old and new
- #B : replaceable from old to new
- #D : incompatible
- # : newly established

3. The original of this list was made based on the information available in September, '94.

4. Parts are subject to change in design without prior notice.

CONTENTS

1. FRAME	2
2. FRAME ATTACHMENT	3
3. SCANNER	3
4. PAPER FEEDER	4
5. PAPER EMPTY	4
6. FIXING UNIT	5
7. CABINET	5
8. MAIN PCB	6
9. DRIVER PCB	6
10. LOW POWER SUPPLY UNIT	7
11. HIGH POWER SUPPLY UNIT	7
12. POWER CORDS	8
13. ATTACHMENTS	8
14. DOCUMENTS	9
15. PACKING	9
16. ADJUSTING KIT	10



1 . FRAME

REF.NO.	CODE	Q'TY	DESCRIPTION	REMARKS
1	UL5009000	1	INTERLOCK LEVER, CV	
2	UL5011000	1	INTERLOCK LEVER, PENDULUM	
3	UL5012000	1	INTERLOCK LEVER, S	
4	UL5013001	1	SPRING, EXTENSION	
5	UL5008001	1	FAN MOTOR	
6	UL5044000	1	FAN GUARD	
7	087310815	2	TAPTITE, CUP B M3X8	
8	UL5019001	1	MAIN MOTOR UNIT	
9	087310815	2	TAPTITE, CUP B M3X8	
10	UL5025000	1	GEAR SHAFT PLATE	
11	087310616	4	TAPTITE, CUP B M3X6	
12	0A5300605	1	SCREW, PAN (WASHER) M3X6DB	
13	087320616	1	TAPTITE, CUP S M3X6	
14	UL5027000	1	GEAR, 23/66	
15	UL5028000	1	GEAR, 22/63	
16	UL5029000	1	GEAR, 25/40	
17	UL5030000	1	GEAR, 23/37	
18	UL5031000	1	GEAR, 17/78	
19	UL5032000	1	GEAR, 29/38	
20	UL5033000	1	IDLE GEAR, 59	
21	UL5034000	1	GEAR 20/43	
22	UL5035000	1	GEAR, 27/38	
23	UL5036000	2	IDLE GEAR, 24	
24	UL5037000	1	GEAR, 42/60	
25	UL5038000	1	CLUTCH GEAR, 47	
26	UL5039000	1	GEAR, 18	
27	UL5040000	1	CLUTCH GEAR, 21	
28	UL5041000	1	CLUTCH LEVER	
29	UF3056001	1	SPRING, EXTENSION	
30	UL5043001	1	SOLENOID C ASSY	
31	UL5050001	1	SPRING PLATE	
32	UL5087001	1	REGIST SENSOR LEVER	
33	UL5084000	1	RUBBER WASHER 12	
34	UK2151001	1	PAPER EJECT SENSOR PCB ASSY	
35	UK2211001	1	PAPER EJECT SENSOR HARNES ASSY	
36	087310815	1	TAPTITE, CUP B M3X8	
37	UL5049000	1	PRESSURE SPRING	
38	UL5015001	1	ERASE LAMP FEEDER HOLDER ASSY	

2 . FRAME ATTACHMENT

REF.NO.	CODE	Q'TY	DESCRIPTION	REMARKS
1	UL5073001	4	RUBBER FOOT	
2	UL7023001	1	BASE PLATE ASSY X	
3	085411015	8	TAPTITE, BIND B M4X10	
4	087320616	1	TAPTITE, CUP S M3X6	
5	UL5269000	1	TOP COVER LINK	
6	UL5270001	1	WASHER	
7	085411015	1	TAPTITE, BIND B M4X10	
8	UL5082000	1	SWITCH LEVER	
9	UL5083001	2	SWITCH KEY	
10	UL5085000	1	PANEL RIGHT GUIDE	
11	UL5086003	1	DENSITY DIAL, GRAY(1252)	
12	UL5088000	1	SOLENOID LEVER	
13	UL5090001	1	SOLENOID P ASSY	
14	UK2154001	1	REGIST SENSOR PCB ASSY P	
15	UK2206001	1	REGIST SENSOR HARNESS ASSY	
16	087310815	1	TAPTITE, CUP B M3X8	
17	085411015	3	TAPTITE, BIND B M4X10	
18	UF0245000	2	MINI CLAMP	
19	000400606	2	SCREW, PAN BIND M4X6	
20	UL5095000	1	DRIVER EARTH PLATE SPRING	
21	0A5401006	1	SCREW, PAN (WASHER) M4X10DB	
22	UL5094000	1	RUBBER BUSHING	

MODEL HL-660 54U-201-015

3 . SCANNER

REF.NO.	CODE	Q'TY	DESCRIPTION	REMARKS
1	UL7084001	1	SCANNER UNIT 600 (SP)	
2	085411015	4	TAPTITE, BIND B M4X10	
3	UL5134001	1	SPONGE	

MODEL HL-660 54U-201-021

4 . PAPER FEEDER

REF.NO.	CODE	Q'TY	DESCRIPTION	REMARKS
1	UL5145001	1	UPPER SHOOT COVER ASSY	
2	UL5161000	1	RELEASE LINK	

MODEL HL-660 54U-201-030

5 . PAPER TRAY

REF.NO.	CODE	Q'TY	DESCRIPTION	REMARKS
1	UL5542001	1	MP TRAY ASSY (SP)	
2	UL5738003	1	PAPER SET LABEL	

MODEL HL-660 54U-201-040

6 .FIXING UNIT

REF.NO.	CODE	Q'TY	DESCRIPTION	REMARKS
1	UL5536001	1	FIXING UNIT, 115V (SP)	
1	UL5537001	1	FIXING UNIT, 230V (SP)	
2	UL5250001	1	PAPER EJECT ACTUATOR, BLACK	
3	087411216	2	TAPTITE, CUP B M4X12	
4	087320616	1	TAPTITE, CUP S M3X6	

MODEL HL-660 54U-201-050, 051

7 .CABINET

REF.NO.	CODE	Q'TY	DESCRIPTION	REMARKS
1	UL5267001	1	MAIN COVER, GRAY1227	
2	087411216	4	TAPTITE, CUP B M4X12	
3	UL5278001	1	FILTER COVER ASSY, GRAY1227	
4	UL5268001	1	TOP COVER, GRAY1227	
5	UL5271001	1	PAPER EJECT TRAY ASSY	
6	UL5277001	1	SET LABEL	
7	UH0905001	1	PATENT LABEL HL10	
8	UL5449001	1	MYLAR STICKER 660, US	
8	UL7059001	1	MYLAR STICKER 665, US	
8	UL7073001	1	MYLAR STICKER 660, CAN	
9	UL7057001	1	MODEL PLATE 660	
9	UL7058001	1	MODEL PLATE 665	

MODEL HL-660 54U-201-060

8 . MAIN PCB

REF.NO.	SYMBOL	CODE	Q'TY	DESCRIPTION	REMARKS
1	B48K181-300C	UK2420001	1	MAIN PCB ASSY 660 (SP)	
2		UK2407000	1	MASK ROM:538200H509	
3		UK2408000	1	MASK ROM:538200H510	
4		UL5091000	2	PCB ANGLE	
5		087320616	4	TAPTITE, CUP S M3X6	
6		000400606	3	SCREW, PAN BIND M4X6	
7		UL7060001	1	I/F SHIELD X ASSY	
8		UL5097000	2	I/F EARTH PLATE SPRING	
9		UL7097001	1	DEMO PCB ASSY (SP)	
10		UK2569000	1	MASK ROM:23C4000 EVEN	
11		UK2570000	1	MASK ROM:23C4000 ODD	

MODEL HL-660 54U-201-101, 182

9 . DRIVER PCB

REF.NO.	SYMBOL	CODE	Q'TY	DESCRIPTION	REMARKS
1	B48K152-300D	UK2614001	1	DRIVER PCB ASSY (SP)	

MODEL HL-660 54U-201-151

10 .LOW POWER SUPPLY UNIT

REF.NO.	CODE	Q'TY	DESCRIPTION	REMARKS
1	UK2424001	1	PS PCB ASSY, 115V (SP)	
1	UL5540001	1	PS PCB ASSY, 230V (SP)	
2	UK2212001	1	LV HARNESS P ASSY	
3	UL8074001	1	HEATER HARNESS ASSY	

MODEL HL-660 54U-201-200, 201

11 .HIGH POWER SUPPLY UNIT

REF.NO.	CODE	Q'TY	DESCRIPTION	REMARKS
1	UL5541001	1	HIGH-VOLTAGE PS ASSY (SP)	
2	UK2208001	1	HV HARNESS P ASSY	
3	UL8077001	1	GHG HARNESS ASSY	

MODEL HL-660 54U-201-220, 230

12 . POWER CORDS

REF.NO.	CODE	Q'TY	DESCRIPTION	REMARKS
1A	UL8078001	1	AC CORD ASSY, US-X	
1B	UK2118001	1	AC CORD ASSY, UK	
1C	UK2114001	1	AC CORD ASSY, EUR VDE	
1D	UK2135001	1	AC CORD ASSY, SAA	
1E	UK2116001	1	AC CORD ASSY, SEV	
1F	UK2146001	1	AC CORD ASSY, DEMKO	
1G	UK2137001	1	AC CORD ASSY, HEB	
1H	UK2602001	1	AC CORD ASSY, S.AF	
2	UL5407000	1	FILTER CLAMP	
3	085411015	1	TAPTITE, BIND B M4X10	
4	UL5408000	1	AC CORD CLAMP	
5	085411015	1	TAPTITE, BIND B M4X10	
6	0A5400605	1	SCREW, PAN (WASHER) M4X6	

MODEL HL-660 54U-201-230

13 . ATTACHMENTS

REF.NO.	CODE	Q'TY	DESCRIPTION	REMARKS
1	UK2725001	1	PRINTER DRIVER DISK, #1	
1	UK2727001	1	PRINTER DRIVER DISK, #2	
1	UK2729001	1	PRINTER DRIVER DISK, #1, US	
1	UK2731001	1	PRINTER DRIVER DISK, #2, US	
1	UK2736001	1	PRINTER DRIVER DISK, MAC/PS	
1	UK2738001	1	PRINTER DRIVER DISK, WINDOWS/PS	
2	UL5214000	1	TRAY EXTENSION	
3	UL5599001	1	BAG	

MODEL HL-660 54U-201-910

14 . DOCUMENTS

REF.NO.	CODE	Q'TY	DESCRIPTION	REMARKS
1	UL5580001	1	USER'S MANUAL, 660 US	
1	UL5581001	1	USER'S MANUAL, 660 GER	
1	UL5582001	1	USER'S MANUAL, 660 FRA	
1	UL5583001	1	USER'S MANUAL, 660 NOR	
1	UL5584001	1	USER'S MANUAL, 660 NL	
2	UL7075001	1	SETGUIDE, US	
2	UL7076001	1	SETGUIDE, GER	
2	UL7077001	1	SETGUIDE, FRA	
2	UL7078001	1	SETGUIDE, NOR	
2	UL7079001	1	SETGUIDE, NL	
3	UL5585001	1	SOFT GUIDE, 660 US	
3	UL5586001	1	SOFT GUIDE, 660 GER	
3	UL5587001	1	SOFT GUIDE, 660 FRA	
3	UL5588001	1	SOFT GUIDE, 660 NOR	
3	UL5589001	1	SOFT GUIDE, 660 NL	
4	UL5532001	1	WARRANTY CARD, USA	
4	UD0373001	1	WARRANTY CARD, CAN	
4	UH1119001	1	WARRANTY CARD, FRA	
4	237703001	1	WARRANTY CARD, NLD	
5	UL5533001	1	SERVICE CARD 2, USA	
6	UH1392001	1	EPA INSERTION SHEET, USA	
7	UL7067001	1	POP SHEET, 660 US	
7	UL7068001	1	POP SHEET, 665 US	
8	UL5468001	1	DEMO INSTRUCTION SHEET, US	
9	UE0331001	1	BAG, 215X350H	
10	UL7074001	1	ACCESSORY ORDER FX	

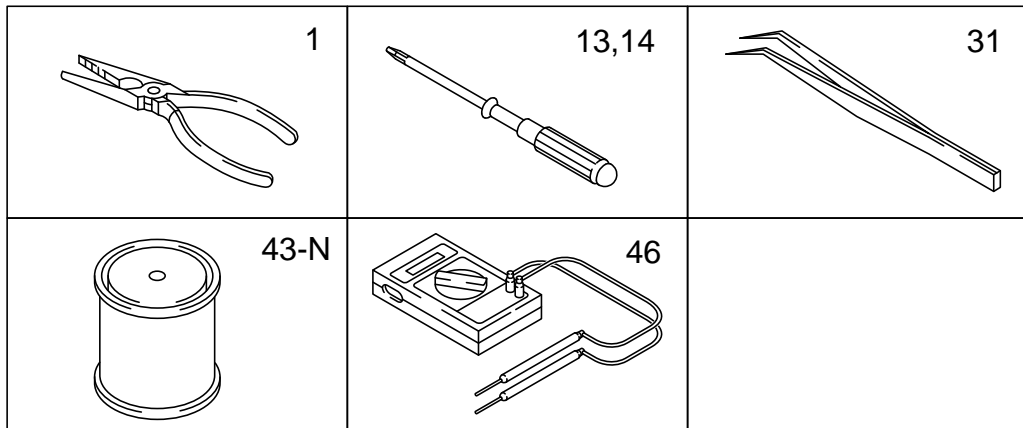
MODEL HL-660 54U-201-920

15 . PACKING

REF.NO.	CODE	Q'TY	DESCRIPTION	REMARKS
1	UE0359001	1	CARTON, HL-660	
1	UE0417001	1	CARTON, HL-665	
1	UE0418001	1	CARTON, HL-660EU	
1	UE0419001	1	CARTON, HL-660D	
1	UE0420001	1	CARTON, HL-665D	
2	UE0280001	1	PAD ASSY, HL-6L	
3	UE0283000	1	BOX, HL-6L DRUM	
4	UE0284000	1	BOX, HL-6L MANUAL	
5	UE1070001	1	BAG, BODY	
6	UE0291001	1	BAG, MPT	
7	UE0292000	1	SHEET, BODY	
8	UL5446001	1	BAR CODE LABEL US, HL-660	
8	UL7069001	1	BAR CODE LABEL US, HL-665	
8	UL7070001	1	BAR CODE LABEL US, HL-660D	
8	UL7071001	1	BAR CODE LABEL US, HL-665D	
8	UL7072001	1	BAR CODE LABEL EAN, HL-660	

MODEL HL-660 54U-201-930

16. ADJUSTING TOOL KIT



TOOL NO.	TOOL NAME
ZX-1	PLIER (150MM)
ZX-13	SCREW DRIVER PHILIPS (NO.1)
ZX-14	SCREW DRIVER PHILIPS (NO.2)
ZX-31	TWEEZERS (150MM)
ZX-43-N	LUBRICATION GREASE (MOLYKOTE EM30L)
ZX-46	CIRCUIT TESTER

