



LASER PRINTER

PARTS REFERENCE LIST



HL- 600 Series



NOTE FOR USING THIS PARTS REFERENCE LIST

1. In the case of ordering parts, it needs mentioning the following items:

- (1) Code
- (2) Q'ty
- (3) Description
- (4) Revision No. (for a kind of printed circuit boards)

Note : No orders without Parts Code or Tool No. can be accepted.

< Example >

| REF.NO. | CODE | Q'TY | DESCRIPTION | REMARKS |
|---------|------|------|-------------|---------|
| | | | | |

(5) Revision No. : marked on a printed circuit board.



2. Design-changed parts:

If the parts are changed, any one of the following symbols is indicated in the REMARKS column.

- #A : compatible between old and new
- #B : replaceable from old to new
- #D : incompatible
- # : newly established

3. The original of this list was made based on the information available in September, '94.

4. Parts are subject to change in design without prior notice.

CONTENTS

| | |
|----------------------------------|----|
| 1. FRAME | 2 |
| 2. FRAME ATTACHMENT | 3 |
| 3. SCANNER | 3 |
| 4. PAPER FEEDER | 4 |
| 5. PAPER EMPTY | 4 |
| 6. FIXING UNIT | 5 |
| 7. CABINET | 5 |
| 8. MAIN PCB | 6 |
| 9. DRIVER PCB | 6 |
| 10. LOW POWER SUPPLY UNIT | 7 |
| 11. HIGH POWER SUPPLY UNIT | 7 |
| 12. POWER CORDS | 8 |
| 13. ATTACHMENTS | 8 |
| 14. DOCUMENTS | 9 |
| 15. PACKING | 9 |
| 16. ADJUSTING KIT | 10 |

Fig.3. POWER CORDS

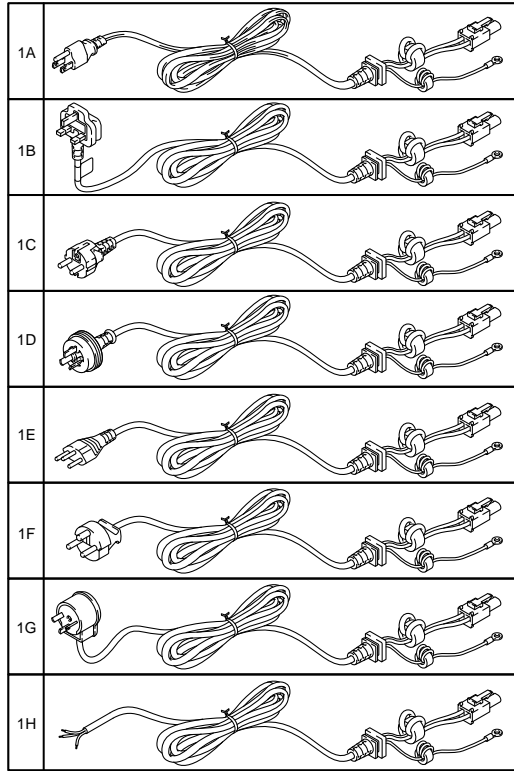


Fig.1. MAIN PCB

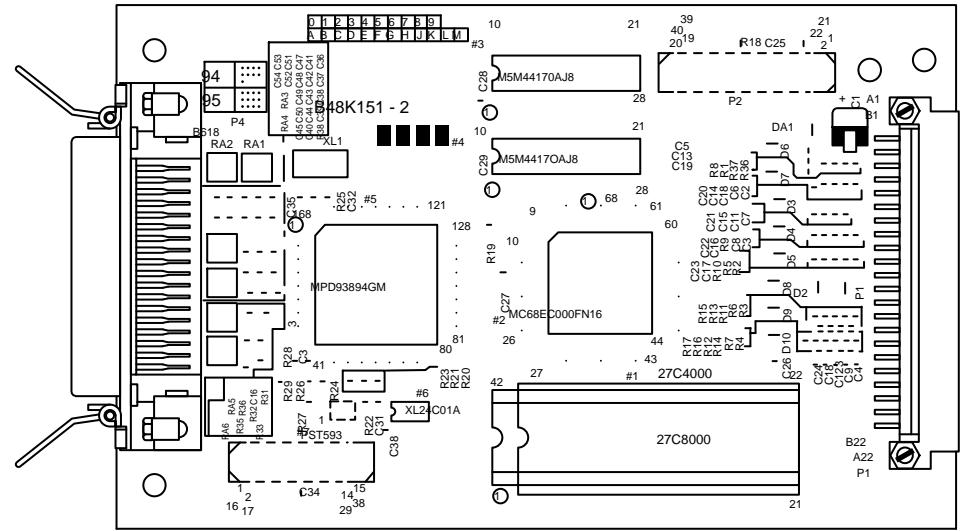
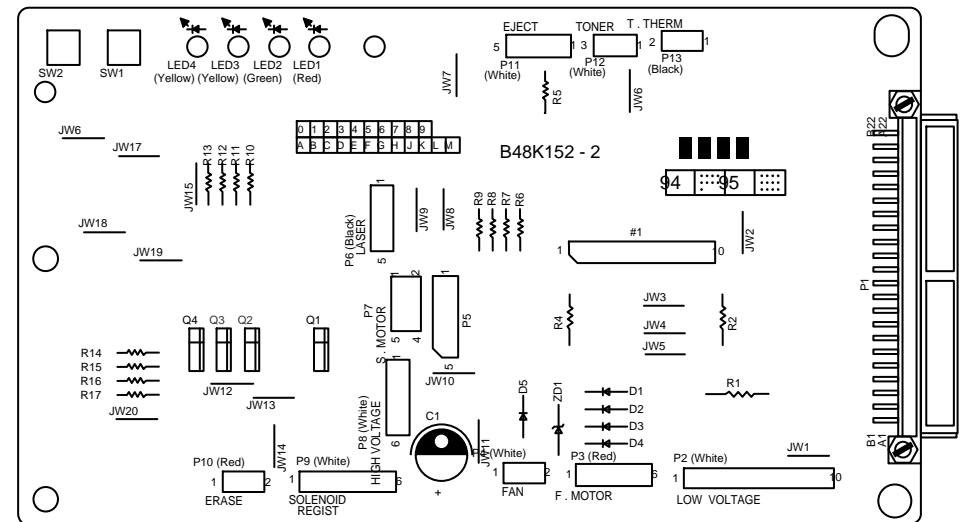
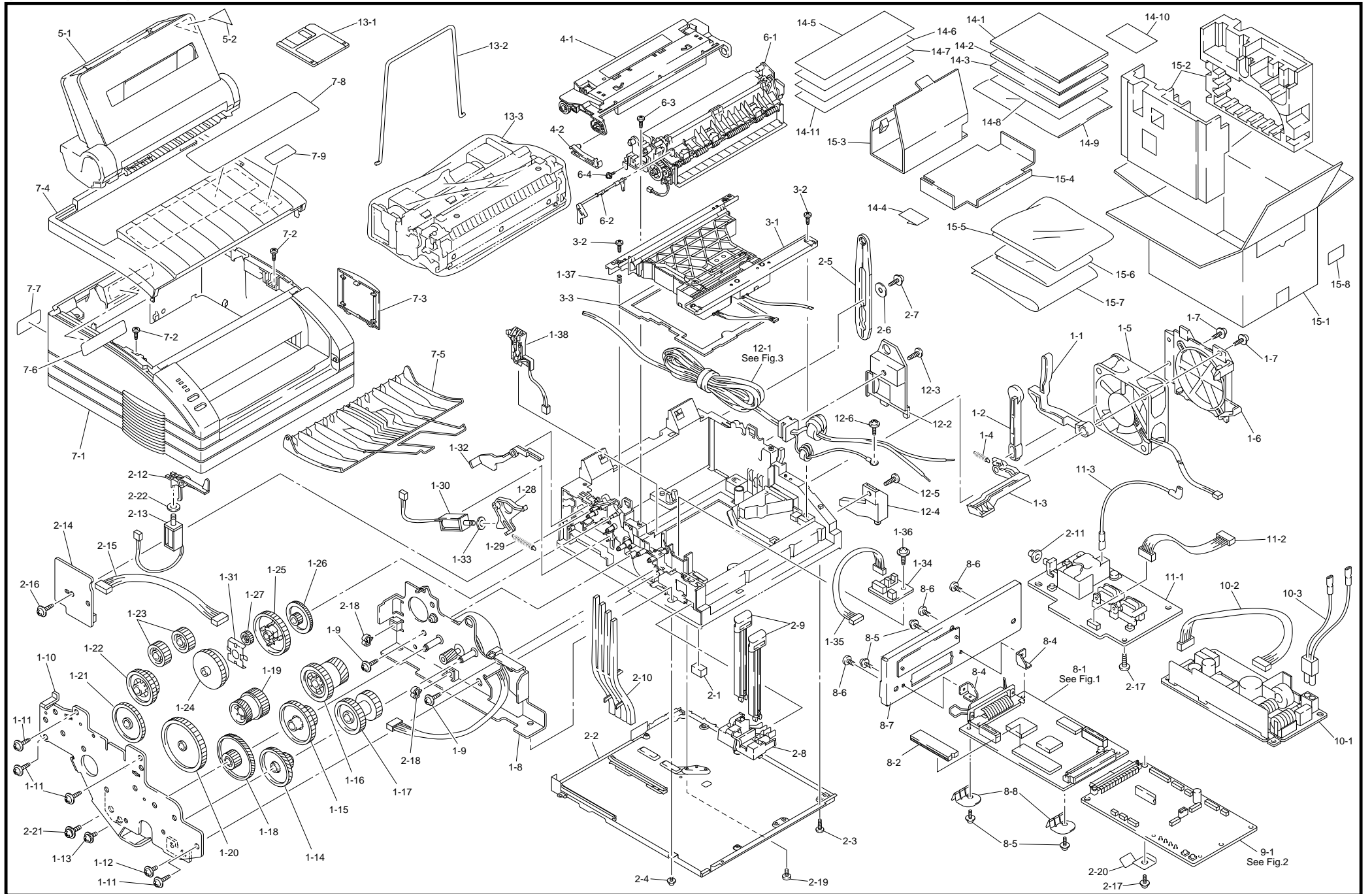


Fig.2. DRIVER PCB





1 .FRAME

| REF.NO. | CODE | Q'TY | DESCRIPTION | REMARKS |
|---------|-----------|------|--------------------------------|---------|
| 1 | UL5009000 | 1 | INTERLOCK LEVER, CV | |
| 2 | UL5011000 | 1 | INTERLOCK LEVER, PENDULUM | |
| 3 | UL5012000 | 1 | INTERLOCK LEVER, S | |
| 4 | UL5013001 | 1 | SPRING, EXTENSION | |
| 5 | UL5008001 | 1 | FAN MOTOR | |
| 6 | UL5044000 | 1 | FAN GUARD | |
| 7 | 087310815 | 2 | TAPTITE, CUP B M3X8 | |
| 8 | UL5019001 | 1 | MAIN MOTOR UNIT | |
| 9 | 087310815 | 2 | TAPTITE, CUP B M3X8 | |
| 10 | UL5025000 | 1 | GEAR SHAFT PLATE | |
| 11 | 087310616 | 4 | TAPTITE, CUP B M3X6 | |
| 12 | 0A5300605 | 1 | SCREW, PAN (WASHER) M3X6DB | |
| 13 | 087320616 | 1 | TAPTITE, CUP S M3X6 | |
| 14 | UL5027000 | 1 | GEAR, 23/66 | |
| 15 | UL5028000 | 1 | GEAR, 22/63 | |
| 16 | UL5029000 | 1 | GEAR, 25/40 | |
| 17 | UL5030000 | 1 | GEAR, 23/37 | |
| 18 | UL5031000 | 1 | GEAR, 17/78 | |
| 19 | UL5032000 | 1 | GEAR, 29/38 | |
| 20 | UL5033000 | 1 | IDLE GEAR, 59 | |
| 21 | UL5034000 | 1 | GEAR 20/43 | |
| 22 | UL5035000 | 1 | GEAR, 27/38 | |
| 23 | UL5036000 | 2 | IDLE GEAR, 24 | |
| 24 | UL5037000 | 1 | GEAR, 42/60 | |
| 25 | UL5038000 | 1 | CLUTCH GEAR, 47 | |
| 26 | UL5039000 | 1 | GEAR, 18 | |
| 27 | UL5040000 | 1 | CLUTCH GEAR, 21 | |
| 28 | UL5041000 | 1 | CLUTCH LEVER | |
| 29 | UF3056001 | 1 | SPRING, EXTENSION | |
| 30 | UL5043001 | 1 | SOLENOID C ASSY | |
| 31 | UL5050001 | 1 | SPRING PLATE | |
| 32 | UL5087001 | 1 | REGIST SENSOR LEVER | |
| 33 | UL5084000 | 1 | RUBBER WASHER 12 | |
| 34 | UL5024001 | 1 | MOTOR COOLING FILM | |
| 35 | UK2151001 | 1 | PAPER EJECT SENSOR PCB ASSY | |
| 36 | UK2211001 | 1 | PAPER EJECT SENSOR HARNES ASSY | |
| 37 | 087310815 | 1 | TAPTITE, CUP B M3X8 | |
| 38 | UL5015001 | 1 | ERASE LAMP FEEDER HOLDER ASSY | |
| 39 | UL5049000 | 1 | SPRING, COMPRESSION | |

MODEL HL-XL 54U-101-010

2 . FRAME ATTACHMENT

| REF.NO. | CODE | Q'TY | DESCRIPTION | REMARKS |
|---------|-----------|------|--------------------------------|---------|
| 1 | UL5073001 | 4 | RUBBER FOOT | |
| 2 | UL5075001 | 1 | BASE PLATE ASSY | |
| 3 | 085411015 | 8 | TAPTITE, BIND B M4X10 | |
| 4 | 087320616 | 1 | TAPTITE, CUP S M3X6 | |
| 5 | UL5269000 | 1 | TOP COVER LINK | |
| 6 | UL5270001 | 1 | WASHER | |
| 7 | 085411015 | 1 | TAPTITE, BIND B M4X10 | |
| 8 | UL5082000 | 1 | SWITCH LEVER | |
| 9 | UL5083001 | 2 | SWITCH KEY | |
| 10 | UL5085000 | 1 | PANEL RIGHT GUIDE | |
| 11 | UL5086003 | 1 | CONCENTRATION DIAL, GRAY(1252) | |
| 12 | UL5088000 | 1 | SOLENOID LEVER | |
| 13 | UL5090001 | 1 | SOLENOID P ASSY | |
| 14 | UK2154001 | 1 | REGIST SENSOR PCB ASSY P | |
| 15 | UK2206001 | 1 | REGIST SENSOR HARNESS ASSY | |
| 16 | 087310815 | 1 | TAPTITE, CUP B M3X8 | |
| 17 | 085411015 | 3 | TAPTITE, BIND B M4X10 | |
| 18 | UF0245000 | 2 | MINI CLAMP | |
| 19 | 000400606 | 2 | SCREW, PAN BIND M4X6 | |
| 20 | UL5095000 | 1 | DRIVER EARTH PLATE SPRING | |
| 21 | 0A5401006 | 1 | SCREW, PAN (WASHER) M4X10DB | |
| 22 | UL5094000 | 1 | RUBBER BUSHING | |

MODEL HL-XL 54U-101-015

3 . SCANNER

| REF.NO. | CODE | Q'TY | DESCRIPTION | REMARKS |
|---------|-----------|------|-----------------------|---------|
| 1 | UL5535001 | 1 | SCANNER UNIT (SP) | |
| 2 | 085411015 | 4 | TAPTITE, BIND B M4X10 | |
| 3 | UL5134001 | 1 | SPONGE | |

MODEL HL-XL 54U-101-020

4 . PAPER FEEDER

| REF.NO. | CODE | Q'TY | DESCRIPTION | REMARKS |
|---------|-----------|------|------------------------|---------|
| 1 | UL5145001 | 1 | UPPER SHOOT COVER ASSY | |
| 2 | UL5161000 | 1 | RELEASE LINK | |

MODEL HL-XL 54U-101-030

5 . PAPER TRAY

| REF.NO. | CODE | Q'TY | DESCRIPTION | REMARKS |
|---------|-----------|------|-----------------------|---------|
| 1 | UL5542001 | 1 | MP TRAY ASSY (SP) | |
| 2 | UL5738003 | 1 | R-PAPER SETTING LABEL | |

MODEL HL-XL 54U-101-040

6 .FIXING UNIT

| REF.NO. | CODE | Q'TY | DESCRIPTION | REMARKS |
|---------|-----------|------|-----------------------------|---------|
| 1 | UL5536001 | 1 | FIXING UNIT, 115V (SP) | |
| 1 | UL5537001 | 1 | FIXING UNIT, 230V (SP) | |
| 2 | UL5250001 | 1 | PAPER EJECT ACTUATOR, BLACK | |
| 3 | 087411216 | 2 | TAPTITE, CUP B M4X12 | |
| 4 | 087320616 | 1 | TAPTITE, CUP S M3X6 | |

MODEL HL-XL 54U-101-050

7 .CABINET

| REF.NO. | CODE | Q'TY | DESCRIPTION | REMARKS |
|---------|-----------|------|-----------------------------|---------|
| 1 | UL5267001 | 1 | MAIN COVER, GRAY1227 | |
| 2 | 087411216 | 4 | TAPTITE, CUP B M4X12 | |
| 3 | UL5278001 | 1 | FILTER COVER ASSY, GRAY1227 | |
| 4 | UL5268001 | 1 | TOP COVER, GRAY1227 | |
| 5 | UL5271001 | 1 | PAPER EJECT TRAY ASSY | |
| 6 | UL5277001 | 1 | SET LABEL | |
| 7 | UH0905001 | 1 | PATENT LABEL HL10 | |
| 8 | UL5276001 | 1 | MYLAR LABEL 630, US | |
| 8 | UL5481001 | 1 | MYLAR LABEL 645, US | |
| 8 | UL5482001 | 1 | MYLAR LABEL 655M, US | |
| 8 | UL5483001 | 1 | MYLAR LABEL 645, CAN | |
| 8 | UL5484001 | 1 | MYLAR LABEL 641, US | |
| 8 | UL5505001 | 1 | MYLAR LABEL 650, US | |
| 8 | UL5516001 | 1 | MYLAR LABEL 630, CAN | |
| 8 | UL5549001 | 1 | MYLAR LABEL 641, CAN | |
| 9 | UL5064001 | 1 | MODEL PLATE 630 | |
| 9 | UL5065001 | 1 | MODEL PALTE 631 | |
| 9 | UL5066001 | 1 | MODEL PLATE 641 | |
| 9 | UL5067001 | 1 | MODEL PLATE 645 | |
| 9 | UL5068001 | 1 | MODEL PLATE 650 | |
| 9 | UL5069001 | 1 | MODEL PLATE 655M | |

MODEL HL-XL 54U-101-060

8 . MAIN PCB

| REF.NO. | SYMBOL | CODE | Q'TY | DESCRIPTION | REMARKS |
|---------|--------------|-----------|------|-------------------------------|---------|
| 1 | B48K151-300F | UK2609001 | 1 | MAIN PCB ASSY (SP) | |
| 1 | B48K151-301D | UK2610001 | 1 | MAIN PCB ASSY, 1M (SP) | |
| 1 | B48K151-304B | UK2611001 | 1 | MAIN PCB ASSY, HEB (SP) | |
| 1 | B48K151-302D | UK2612001 | 1 | MAIN PCB ASSY, DEMO 0.5M (SP) | |
| 1 | B48K151-303D | UK2613001 | 1 | MAIN PCB ASSY, DEMO 1M (SP) | |
| 2 | | UK2616000 | 1 | MASK ROM:534200B | |
| 2 | | UK2183000 | 1 | EPROM 27C4000 | |
| 2 | | UK2617000 | 1 | MASK ROM:TC538200AP | |
| 3 | | UL5091000 | 2 | PCB ANGLE | |
| 4 | | 087320616 | 4 | TAPTITE, CUP S M3X6 | |
| 5 | | 000400606 | 3 | SCREW, PAN BIND M4X6 | |
| 6 | | UL5079001 | 1 | I/F SHIELD ASSY | |
| 7 | | UL5097000 | 1 | I/F GROUND PLATE SPRING | |

MODEL HL-XL 54U-101-101

9 . DRIVER PCB

| REF.NO. | SYMBOL | CODE | Q'TY | DESCRIPTION | REMARKS |
|---------|--------------|-----------|------|----------------------|---------|
| 1 | B48K152-300D | UK2614001 | 1 | DRIVER PCB ASSY (SP) | |

MODEL HL-XL 54U-101-151

10 .LOW POWER SUPPLY UNIT

| REF.NO. | CODE | Q'TY | DESCRIPTION | REMARKS |
|---------|-----------|------|------------------------|---------|
| 1 | UL5539001 | 1 | PS PCB ASSY, 115V (SP) | |
| 1 | UL5540001 | 1 | PS PCB ASSY, 230V (SP) | |
| 2 | UK2212001 | 1 | LV HARNESS P ASSY | |
| 3 | UL8074001 | 1 | HEATER HARNESS ASSY | |

MODEL HL-XL 54U-101-200, 201

11 .HIGH POWER SUPPLY UNIT

| REF.NO. | CODE | Q'TY | DESCRIPTION | REMARKS |
|---------|-----------|------|---------------------------|---------|
| 1 | UL5541001 | 1 | HIGH-VOLTAGE PS ASSY (SP) | |
| 2 | UK2208001 | 1 | HV HARNESS P ASSY | |
| 3 | UL8077001 | 1 | GHG HARNESS ASSY | |

MODEL HL-XL 54U-101-220

12 .POWER CORDS

| REF.NO. | CODE | Q'TY | DESCRIPTION | REMARKS |
|---------|-----------|------|--------------------------|---------|
| 1A | UL8078001 | 1 | AC CORD ASSY, US-X | |
| 1B | UK2118001 | 1 | AC CORD ASSY, UK | |
| 1C | UK2114001 | 1 | AC CORD ASSY, EUR VDE | |
| 1D | UK2135001 | 1 | AC CORD ASSY, SAA | |
| 1E | UK2116001 | 1 | AC CORD ASSY, SEV | |
| 1F | UK2146001 | 1 | AC CORD ASSY, DEMKO | |
| 1G | UK2137001 | 1 | AC CORD ASSY, HEB | |
| 1H | UK2602001 | 1 | AC CORD ASSY, S.AF | |
| 2 | UL5407000 | 1 | FILTER CLAMP | |
| 3 | 085411015 | 1 | TAPTITE, BIND B M4X10 | |
| 4 | UL5408000 | 1 | AC CORD CLAMP | |
| 5 | 085411015 | 1 | TAPTITE, BIND B M4X10 | |
| 6 | 0A5400605 | 1 | SCREW, PAN (WASHER) M4X6 | |

MODEL HL-XL 54U-101-230

13 .ATTACHMENTS

| REF.NO. | CODE | Q'TY | DESCRIPTION | REMARKS |
|---------|-----------|------|----------------------------|---------|
| 1 | UL5416001 | 1 | PRINTER DRIVER DISK, HL-XL | |
| 1 | UL5485001 | 1 | PRINTER DRIVER DISK, EU | |
| 1 | UL5487001 | 1 | PRINTER DRIVER DISK, MAC | |
| 2 | UL5214000 | 1 | TRAY EXTENSION | |

MODEL HL-XL 54U-101-910

14 . DOCUMENTS

| REF.NO. | CODE | Q'TY | DESCRIPTION | REMARKS |
|---------|-----------|------|----------------------------|---------|
| 1 | UL5422001 | 1 | USER'S MANUAL, US | |
| 1 | UL5426001 | 1 | USER'S MANUAL, GER | |
| 1 | UL5427001 | 1 | USER'S MANUAL, FRA | |
| 1 | UL5428001 | 1 | USER'S MANUAL, NOR | |
| 1 | UL5429001 | 1 | USER'S MANUAL, NL | |
| 2 | UL5455001 | 1 | SET GUIDE, US | |
| 2 | UL5456001 | 1 | SET GUIDE, GER | |
| 2 | UL5457001 | 1 | SET GUIDE, FRA | |
| 2 | UL5458001 | 1 | SET GUIDE, NOR | |
| 2 | UL5459001 | 1 | SET GUIDE, NL | |
| 3 | UL5460001 | 1 | SOFT GUIDE US | |
| 3 | UL5461001 | 1 | SOFT GUIDE GER | |
| 3 | UL5462001 | 1 | SOFT GUIDE FRA | |
| 3 | UL5463001 | 1 | SOFT GUIDE NOR | |
| 3 | UL5464001 | 1 | SOFT GUIDE NL | |
| 4 | UL5532001 | 1 | WARRANTY CARD, USA | |
| 4 | UD0373001 | 1 | WARRANTY CARD, CAN | |
| 4 | UH1119001 | 1 | WARRANTY CARD, FRA | |
| 4 | 237703001 | 1 | WARRANTY CARD, DUTCH | |
| 5 | UL5533001 | 1 | SERVICE CARD 2, USA | |
| 6 | UH1392001 | 1 | EPA INSERTION SHEET, USA | |
| 7 | UL5468001 | 1 | DEMO INSTRUCTION SHEET, US | |
| 8 | UE0331001 | 1 | BAG, 215X350H | |
| 9 | UL5550001 | 1 | LICENSE SHEET,MAC | |
| 10 | UL5261001 | 1 | ACCESSORY ORDER F | |
| 11 | UH1236001 | 1 | CAUTION LABEL | |

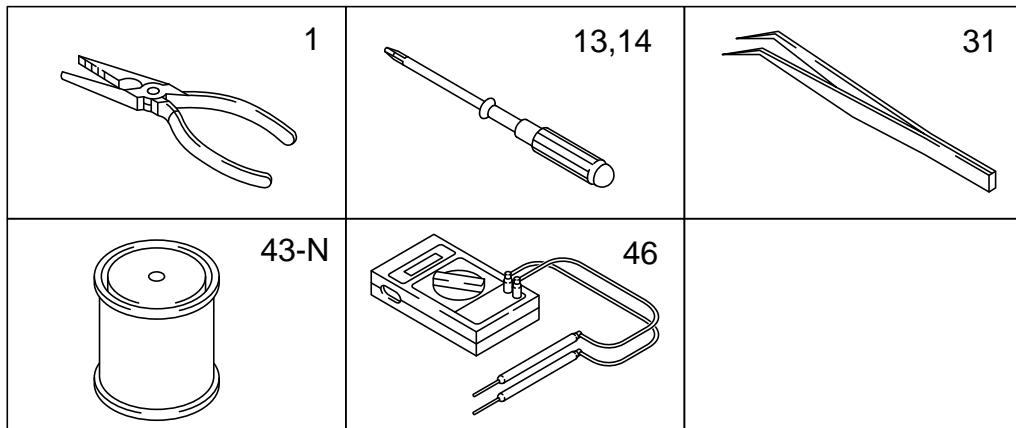
MODEL HL-XL 54U-101-920

15 . PACKING

| REF.NO. | CODE | Q'TY | DESCRIPTION | REMARKS |
|---------|-----------|------|--------------------------|---------|
| 1 | UE0303001 | 1 | CARTON, HL-630 | |
| 1 | UE0304001 | 1 | CARTON, HL-645 | |
| 1 | UE0305001 | 1 | CARTON, HL-655M | |
| 1 | UE0306001 | 1 | CARTON, HL-630D | |
| 1 | UE0307001 | 1 | CARTON, HL-645D | |
| 1 | UE0308001 | 1 | CARTON, HL-655MD | |
| 1 | UE0309001 | 1 | CARTON, HL-630EU | |
| 1 | UE0310001 | 1 | CARTON, HL0631EU | |
| 1 | UE0311001 | 1 | CARTON, HL-641 | |
| 1 | UE0328001 | 1 | CARTON, HL-641D | |
| 1 | UE0329001 | 1 | CARTON, HL-650 | |
| 1 | UE0330001 | 1 | CARTON, HL-650D | |
| 1 | UE0375001 | 1 | CARTON, HL-641CAN | |
| 1 | UE0398001 | 1 | CARTON, HL-645CAN | |
| 2 | UE0280001 | 1 | PAD ASSY, HL-6L | |
| 3 | UE0283000 | 1 | CARTON, HL-6L DRUM | |
| 4 | UE0284000 | 1 | CARTON, HL-6L MANUAL | |
| 5 | UE1070001 | 1 | BAG, 700X800H | |
| 6 | UE0291001 | 1 | BAG, 300X500H | |
| 7 | UE0292000 | 1 | SHEET, 350X700 | |
| 8 | UL5437001 | 1 | BAR CODE LABEL, 56122US | |
| 8 | UL5438001 | 1 | BAR CODE LABEL, 56123US | |
| 8 | UL5439001 | 1 | BAR CODE LABEL, 56124US | |
| 8 | UL5440001 | 1 | BAR CODE LABEL, 56131US | |
| 8 | UL5441001 | 1 | BAR CODE LABEL, 56132US | |
| 8 | UL5442001 | 1 | BAR CODE LABEL, 56133US | |
| 8 | UL5443001 | 1 | BAR CODE LABEL, 56122EAN | |
| 8 | UL5444001 | 1 | BAR CODE LABEL, 56123EAN | |
| 8 | UL5445001 | 1 | BAR CODE LABEL, 56140US | |
| 8 | UL5508001 | 1 | BAR CODE LABEL, 56137US | |
| 8 | UL5509001 | 1 | BAR CODE LABEL, 56138US | |
| 8 | UL5510001 | 1 | BAR CODE LABEL, 56139US | |

MODEL HL-XL 54U-101-930

16. ADJUSTING TOOL KIT



| TOOL NO. | TOOL NAME |
|----------|-------------------------------------|
| ZX-1 | PLIER (150MM) |
| ZX-13 | SCREW DRIVER PHILIPS (NO.1) |
| ZX-14 | SCREW DRIVER PHILIPS (NO.2) |
| ZX-31 | TWEEZERS (150MM) |
| ZX-43-N | LUBRICATION GREASE (MOLYKOTE EM30L) |
| ZX-46 | CIRCUIT TESTER |
| | |
| | |

