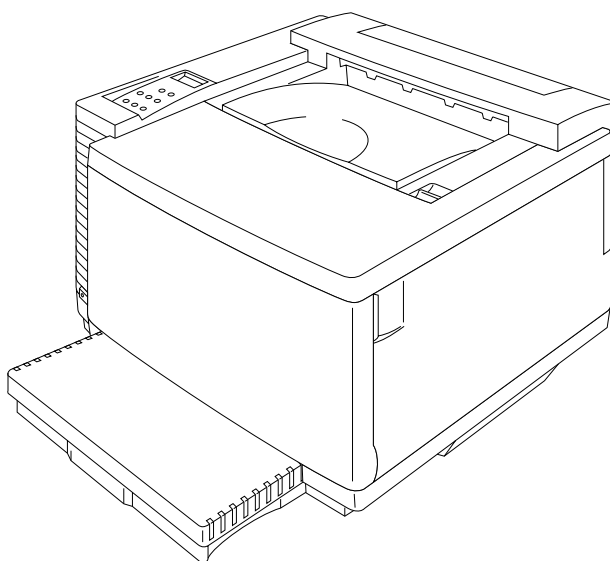




Brother Color Laser Printer **PARTS REFERENCE LIST**

MODEL: HL-3400CN



Read this list thoroughly before maintenance work.

Keep this list in a convenient place for quick and easy reference at all times.

March, 2000
PL-PRN005

NOTE FOR USING THIS PARTS REFERENCE LIST

1. In the case of ordering parts, it needs mentioning the following items:

- (1) Code
- (2) Q'ty
- (3) Description
- (4) Symbol (PCB / PWB No., Revision , and Parts location mounted on the PCB / PWB.)

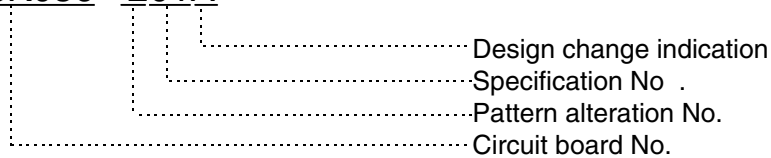
Note : No orders without Parts Code or Tool No. can be accepted.

< Example >

| REF.NO. | (1) CODE | (2) Q'TY | (3) DESCRIPTION | (4) SYMBOL | REMARK |
|---------|-------------|-------------|--------------------|---------------|--------|
| | | | | | |

Revision No.: marked on the main printed circuit board.

B48K056 - 201A



Revision No.: marked on the power supply PCB.

Rev: 0B



2. Design-changed parts :

If the parts are changed, any one of the following symbols is indicated in the REMARKS column.

- #A : compatible between old and new
- #B : replaceable from old to new
- #D : incompatible
- # : newly established

3. The original of this list was made based on the information available in March, 2000.

4. Parts are subject to change in design without prior notice.

TABLE OF CONTENTS

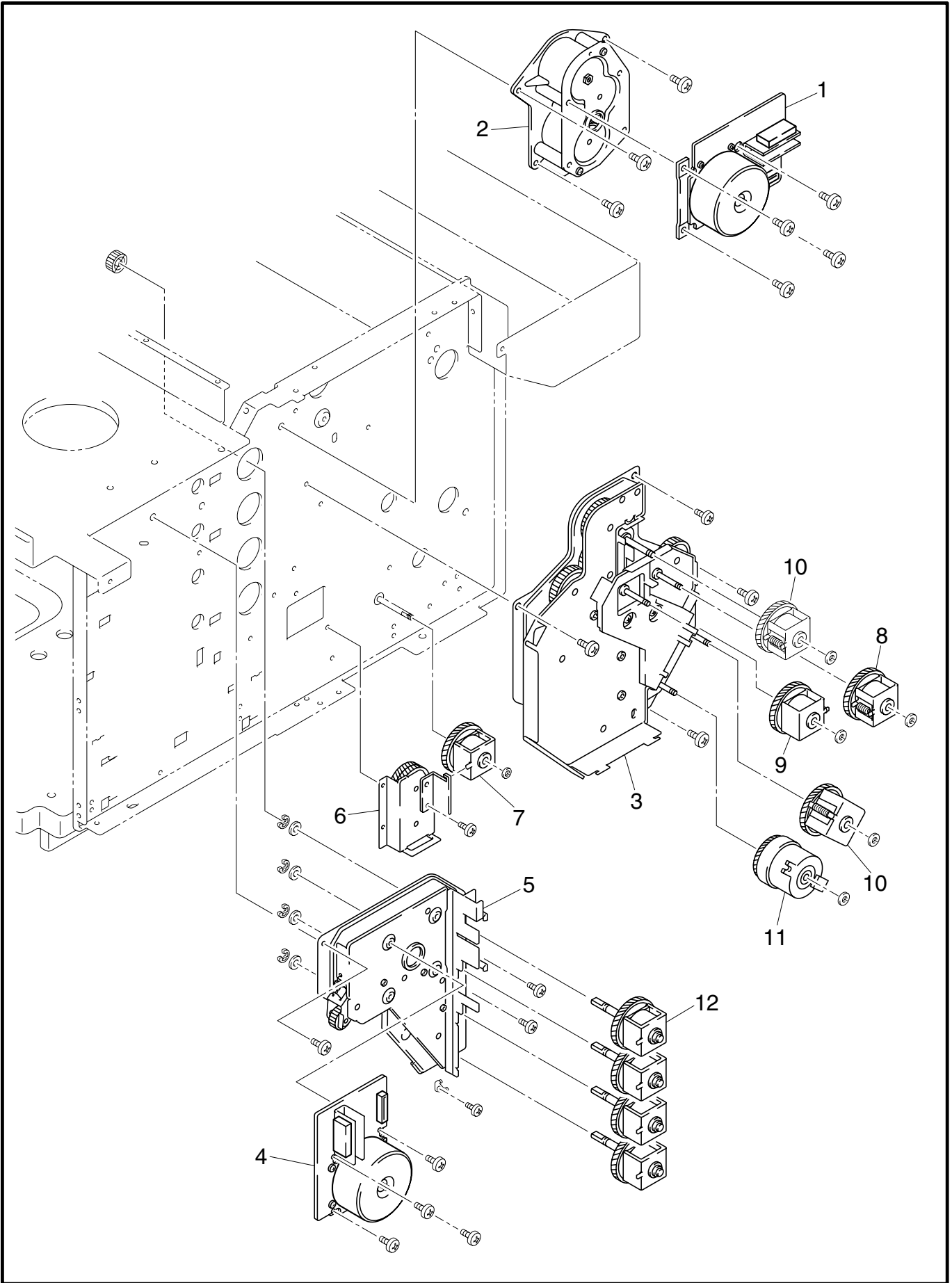
| | | |
|-----|--------------------------------------|----|
| 1. | DRIVE..... | 1 |
| 2. | FRAME | 3 |
| 3. | LASER UNIT | 5 |
| 4. | MEDIA CASSETTE | 5 |
| 5. | TRANSFER UNIT | 7 |
| 6. | PAPER EXIT UNIT | 7 |
| 7. | FUSING UNIT..... | 9 |
| 8. | MAIN PCB | 9 |
| 9. | COVER..... | 11 |
| 10. | MCTL PWB..... | 13 |
| 11. | IOD PWB..... | 13 |
| 12. | LOW-VOLTAGE POWER SUPPLY UNIT | 15 |
| 13. | HIGH-VOLTAGE POWER SUPPLY UNIT | 15 |
| 14. | AC CORD | 17 |
| 15. | ACCESSORIES..... | 17 |
| 16. | PACKING MATERIALS | 19 |
| 17. | PERIODICAL REPLACEMENT PARTS..... | 19 |
| 18. | HARD DISK..... | 21 |

1. DRIVE

| REF.NO | CODE | Q'TY | DESCRIPTION | REMARK |
|--------|-----------|------|-------------------------|--------|
| 1 | LJ2231001 | 1 | MAIN MOTOR 3 | |
| 2 | LJ2232001 | 1 | BD3 GEAR ASSY | |
| 3 | LJ2233001 | 1 | MAIN GEAR UNIT 3 | |
| 4 | LJ2234001 | 1 | DEVELOPER DRIVE MOTOR 3 | |
| 5 | LJ2235001 | 1 | DEVELOPER DRIVE UNIT 3 | |
| 6 | LJ2275001 | 1 | EP3 GEAR ASSY | |
| 7 | UH3494001 | 1 | PAPER FEEDING CLUTCH | |
| 8 | LJ2227001 | 1 | FUSER CLUTCH 3 | |
| 9 | LJ2229001 | 1 | CLEANER CLUTCH 3 | |
| 10 | LJ2230001 | 2 | TR CAM CLUTCH 3 | |
| 11 | UH3495001 | 1 | REGISTRATION CLUTCH | |
| 12 | LJ2228001 | 4 | DEVELOPER CLUTCH 3 | |

MODEL HL-3400CN 54S-311

1. DRIVE



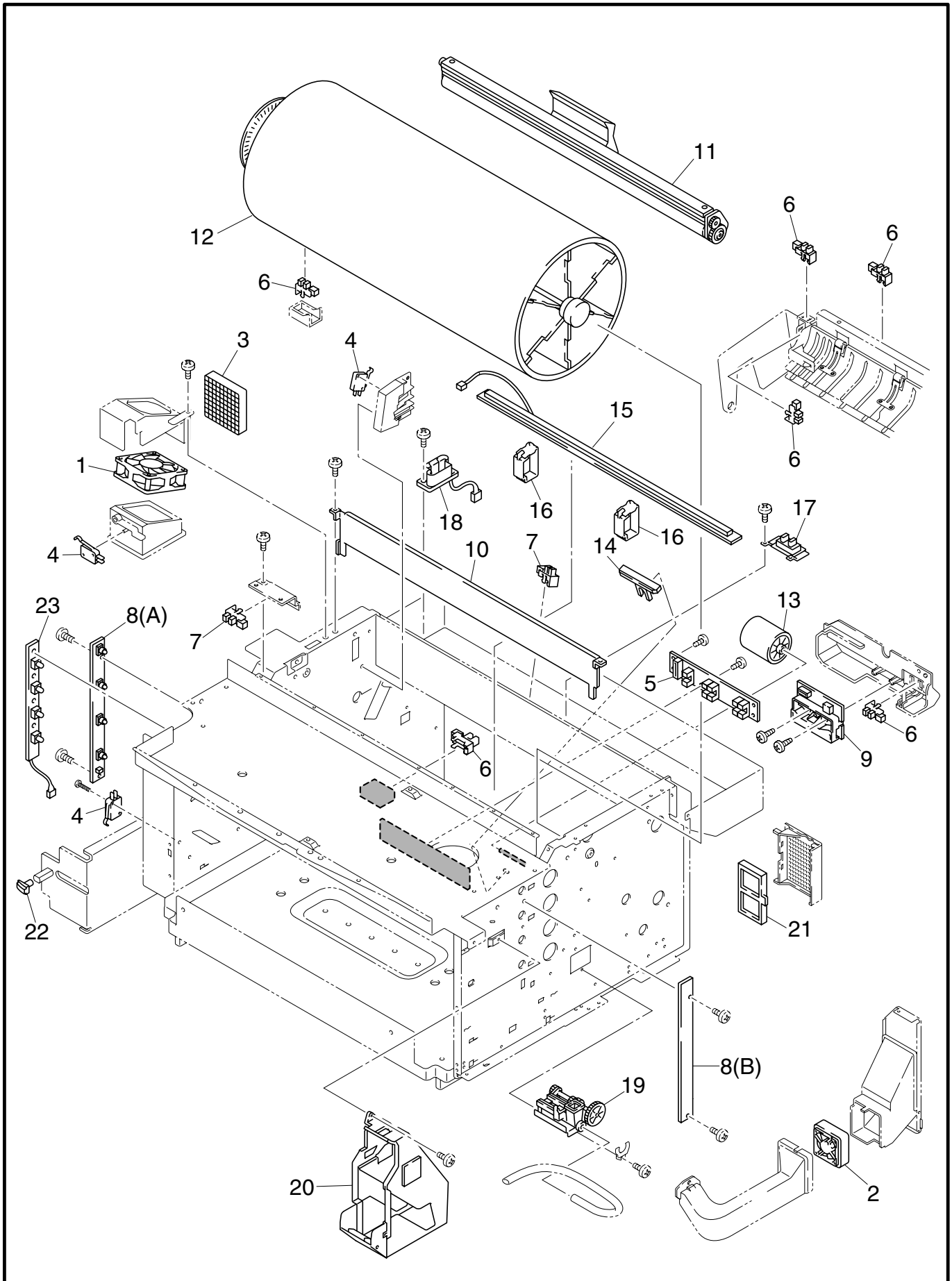
MODEL HL-3400CN 54S-311

2. FRAME

| REF.NO | CODE | Q'TY | DESCRIPTION | REMARK |
|--------|-----------|------|--------------------------|---|
| 1 | LJ2251001 | 1 | COOLING FAN (PS) | |
| 2 | LJ2236001 | 1 | COOLING FAN (OZ) | |
| 3 | LJ2272001 | 1 | OZONE FILTER PS | |
| 4 | UH1946001 | 3 | INTERLOCK SWITCH | |
| 5 | LJ2239001 | 1 | PAPER SIZE SENSOR 3 | |
| 6 | UH1948001 | 6 | PAPER SENSOR | |
| 7 | UH1949001 | 2 | BELT SENSOR | |
| 8 | LJ2242001 | 1 | TONER SENSOR ASSY 3 | A: Toner sensor (TTR) + B: Toner sensor (TPD) |
| 9 | LJ2243001 | 1 | OHP SENSOR 3 | |
| 10 | LJ2204001 | 1 | WASTE TONER FEEDER 3 (U) | |
| 11 | LJ2214001 | 1 | DRUM CLEANER 3 | |
| 12 | LJ2215001 | 1 | TRANSFER DRUM 3 | |
| 13 | UH3485001 | 1 | PAPER FEEDING ROLLER | |
| 14 | LJ2317001 | 1 | SEPARATOR PAD (2) | |
| 15 | LJ2218001 | 1 | ERASE LAMP 3 | |
| 16 | LJ2274001 | 2 | ERASE HOLDER | |
| 17 | UH3488001 | 1 | OIL SENSOR | |
| 18 | LJ2224001 | 1 | FUSER CONNECTOR 3 | |
| 19 | LJ2248001 | 1 | WASTE TONER FEEDER 3 (L) | |
| 20 | LJ2252001 | 1 | WT HOLDER ASSY | |
| 21 | UH1945001 | 1 | OZONE FILTER | |
| 22 | LJ2254001 | 1 | SW BUTTON 3 | |
| 23 | LJ2271001 | 1 | TONER KEY SENSOR | |

MODEL HL-3400CN 54S-311

2. FRAME



MODEL HL-3400CN 54S-311

3. LASER UNIT

| REF.NO | CODE | Q'TY | DESCRIPTION | REMARK |
|--------|-----------|------|----------------|--------|
| 1 | LJ2213001 | 1 | OPTICAL UNIT 3 | |

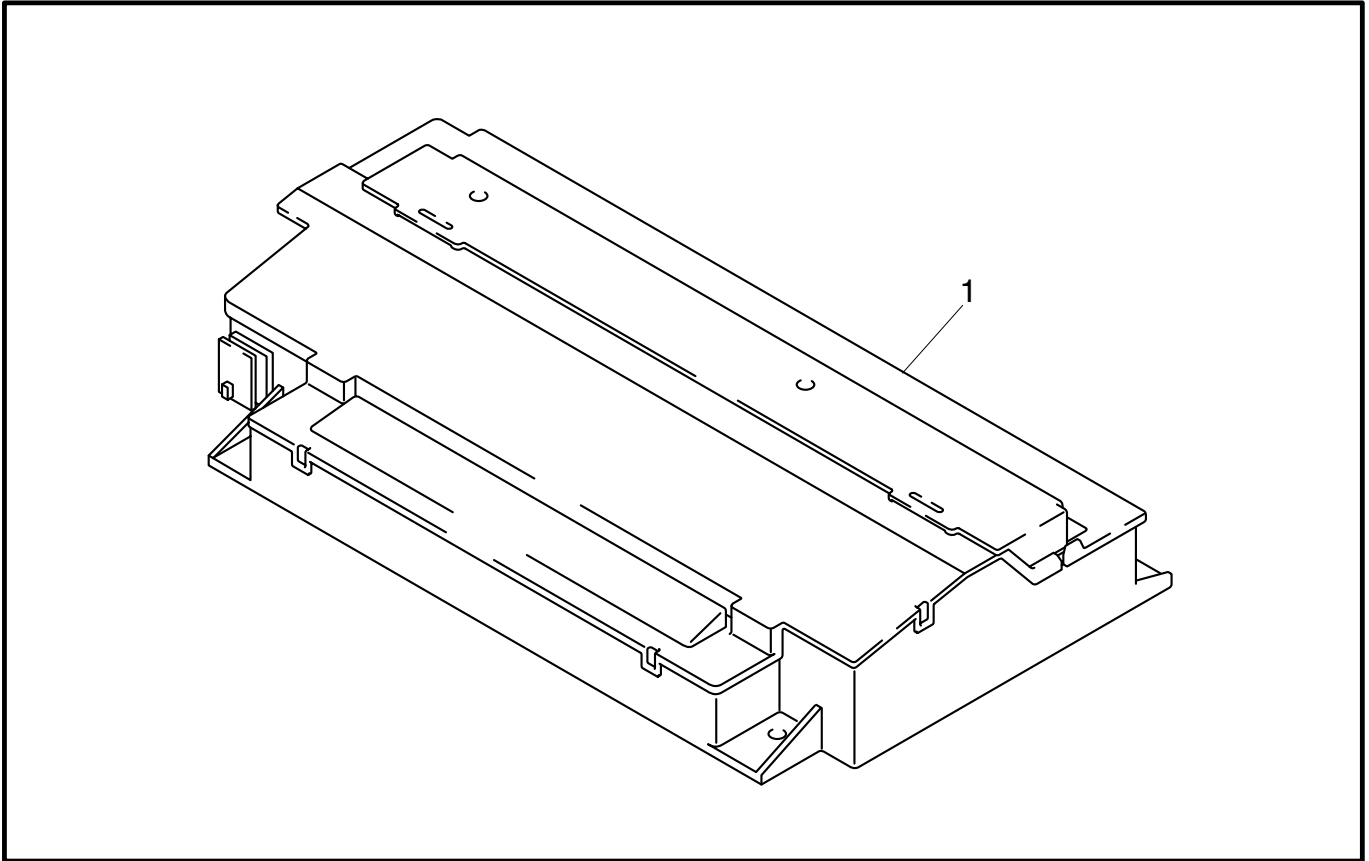
MODEL HL-3400CN 54S-311

4. MEDIA CASSETTE

| REF.NO | CODE | Q'TY | DESCRIPTION | REMARK |
|--------|-----------|------|--------------------|--------|
| 1 | LJ2273001 | 1 | PAPER CASSETTE A3 | |
| 2 | LJ2318001 | 1 | ENVELOPE ADAPTOR 3 | |

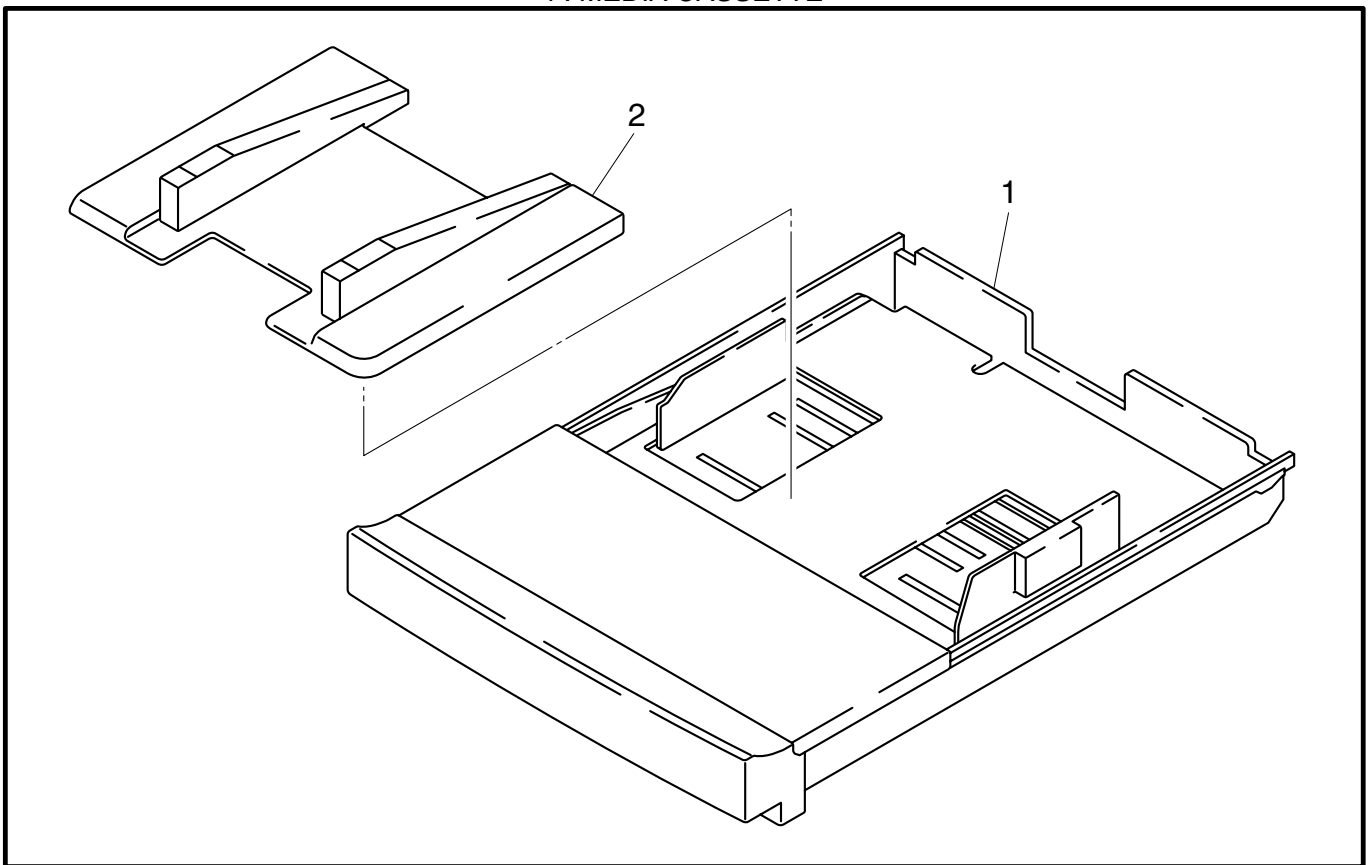
MODEL HL-3400CN 54S-311

3 . LASER UNIT



MODEL HL-3400CN 54S-311

4 . MEDIA CASSETTE



MODEL HL-3400CN 54S-311

5. TRANSFER UNIT

| REF.NO | CODE | Q'TY | DESCRIPTION | REMARK |
|--------|-----------|------|--------------------|--------|
| 1 | LJ2209001 | 1 | TRANSFER UNIT 3 | |
| 1-1 | LJ2210001 | 1 | TR UNIT COVER 3 | |
| 1-2 | LJ2211001 | 1 | TRANSFER ROLLER 3 | |
| 1-3 | LJ2212001 | 1 | PAPER DISCHARGER 3 | |

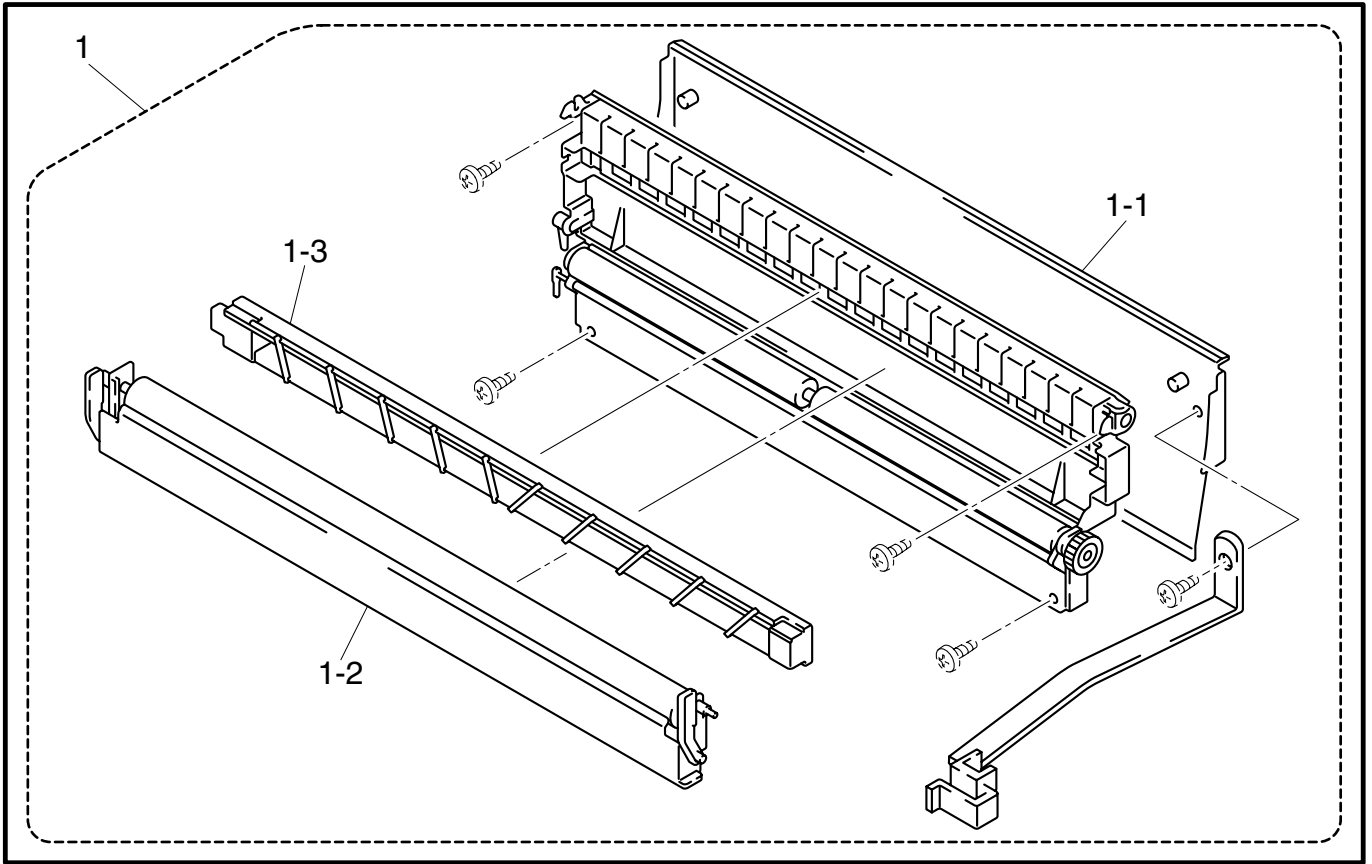
MODEL HL-3400CN 54S-311

6. PAPER EXIT UNIT

| REF.NO | CODE | Q'TY | DESCRIPTION | REMARK |
|--------|-----------|------|--------------------------|--------|
| 1 | LJ2192001 | 1 | PAPER EXIT UNIT 3 | |
| 1-1 | LJ2193001 | 1 | PAPER EXIT UNIT COVER 3 | |
| 1-2 | LJ2194001 | 1 | PAPER EXIT FRONT COVER 3 | |
| 1-3 | LJ2195001 | 1 | PAPER EXIT UPPER COVER 3 | |
| 1-4 | LJ2196001 | 1 | PAPER EXIT ROLLER 3 | |
| 1-5 | LJ2197001 | 1 | DISCHARGING BRUSH 3 | |
| 1-6 | LJ2198001 | 1 | COOLING FAN EX | |
| 1-7 | LJ2199001 | 1 | PAPER EXIT FILTER | |

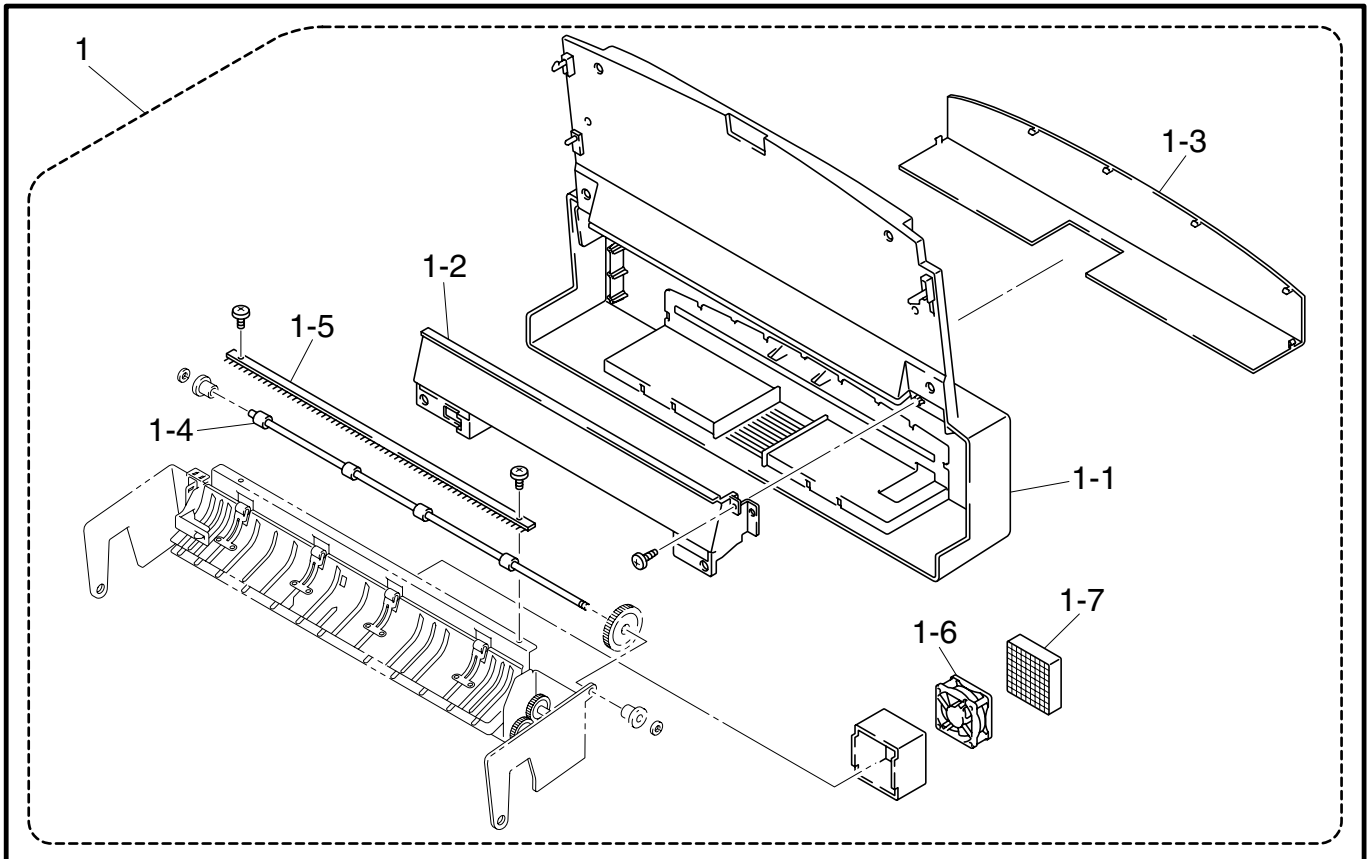
MODEL HL-3400CN 54S-311

5 . TRANSFER UNIT



MODEL HL-3400CN 54S-311

6 . PAPER EXIT UNIT



MODEL HL-3400CN 54S-311

7. FUSING UNIT

| REF.NO | CODE | Q'TY | DESCRIPTION | REMARK |
|--------|-----------|------|----------------------|--------|
| 1 | LJ2205001 | 1 | FUSING UNIT 3 (US) | |
| 1 | LJ2206001 | 1 | FUSING UNIT 3 (EC) | |
| 1-1 | LJ2207001 | 1 | FUSING HEATER 3 (US) | |
| 1-1 | LJ2208001 | 1 | FUSING HEATER 3 (EC) | |
| 1-2 | LJ2276001 | 1 | OIL PAN UNIT 3 | |
| 1-2-1 | LJ2329001 | 1 | OIL PAD | |

MODEL HL-3400CN 54S-311

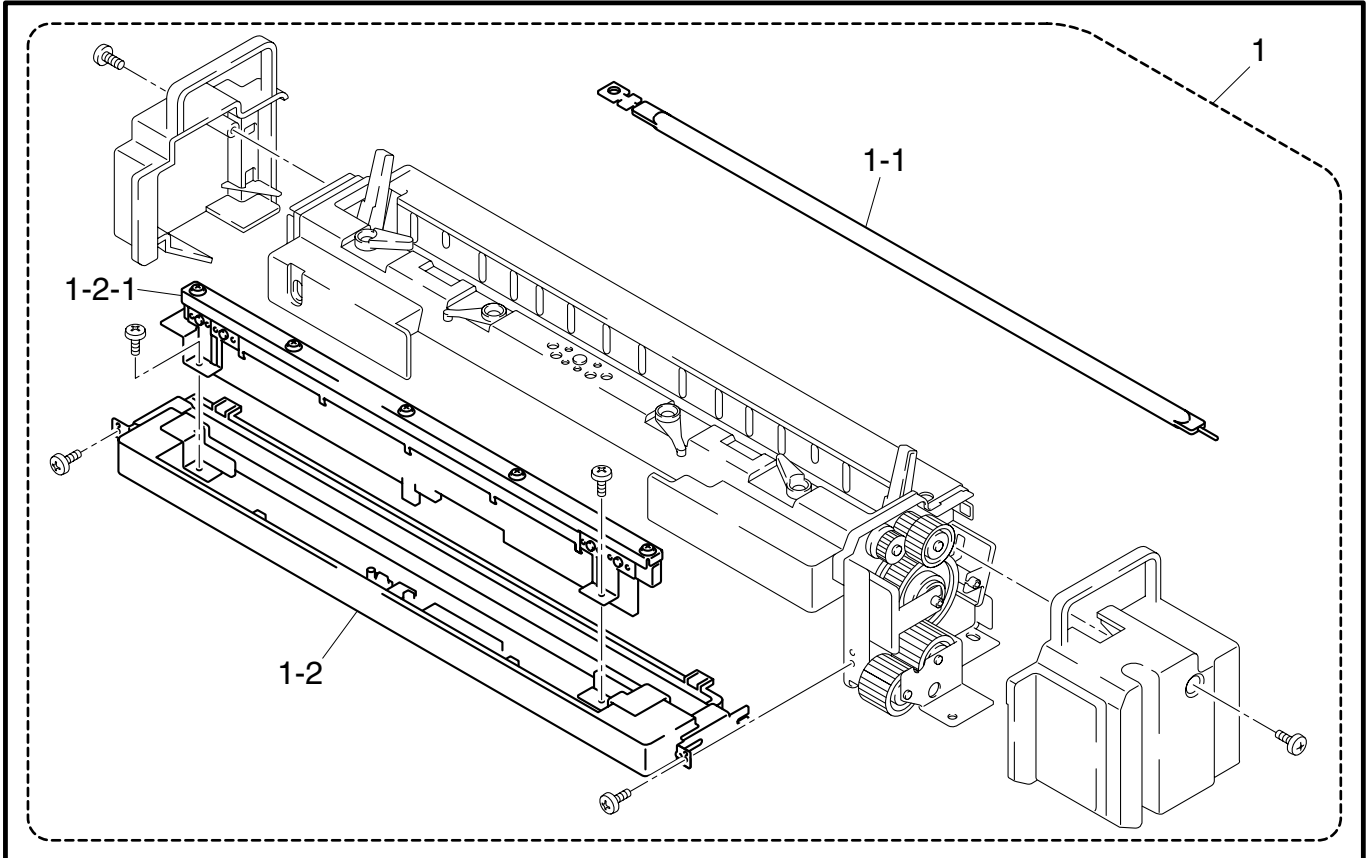
T/I NO. PR2000046

8. MAIN PCB

| REF.NO | CODE | Q'TY | DESCRIPTION | SYMBOL | REMARK |
|--------|-----------|------|------------------------|--------------|--------|
| 1 | LJ8230001 | 1 | MAIN PCB ASSY HLC3 | B512050-101E | |
| 1-1 | LJ8265001 | 1 | MROM23L3211-2 | | |
| 1-2 | LJ8264001 | 1 | MROM23L3211-1 | | |
| 2 | UK3902001 | 1 | MIO CONNECTOR PCB ASSY | B48K300-100 | |
| 3 | LJ8214001 | 1 | MAIN PCB PLATE | | |
| 4 | UH1903001 | 1 | MIO RAIL R | | |
| 5 | UH1940001 | 1 | MIO RAIL L | | |
| 6 | UH1904001 | 1 | CONNECTOR PCB HOLDER | | |
| 7 | UH1924001 | 2 | CARD BLIND | | |
| 8 | LJ8283001 | 1 | BRNET PCB ASSY (SP) | B512058-100A | |

MODEL HL-3400CN 54S-311

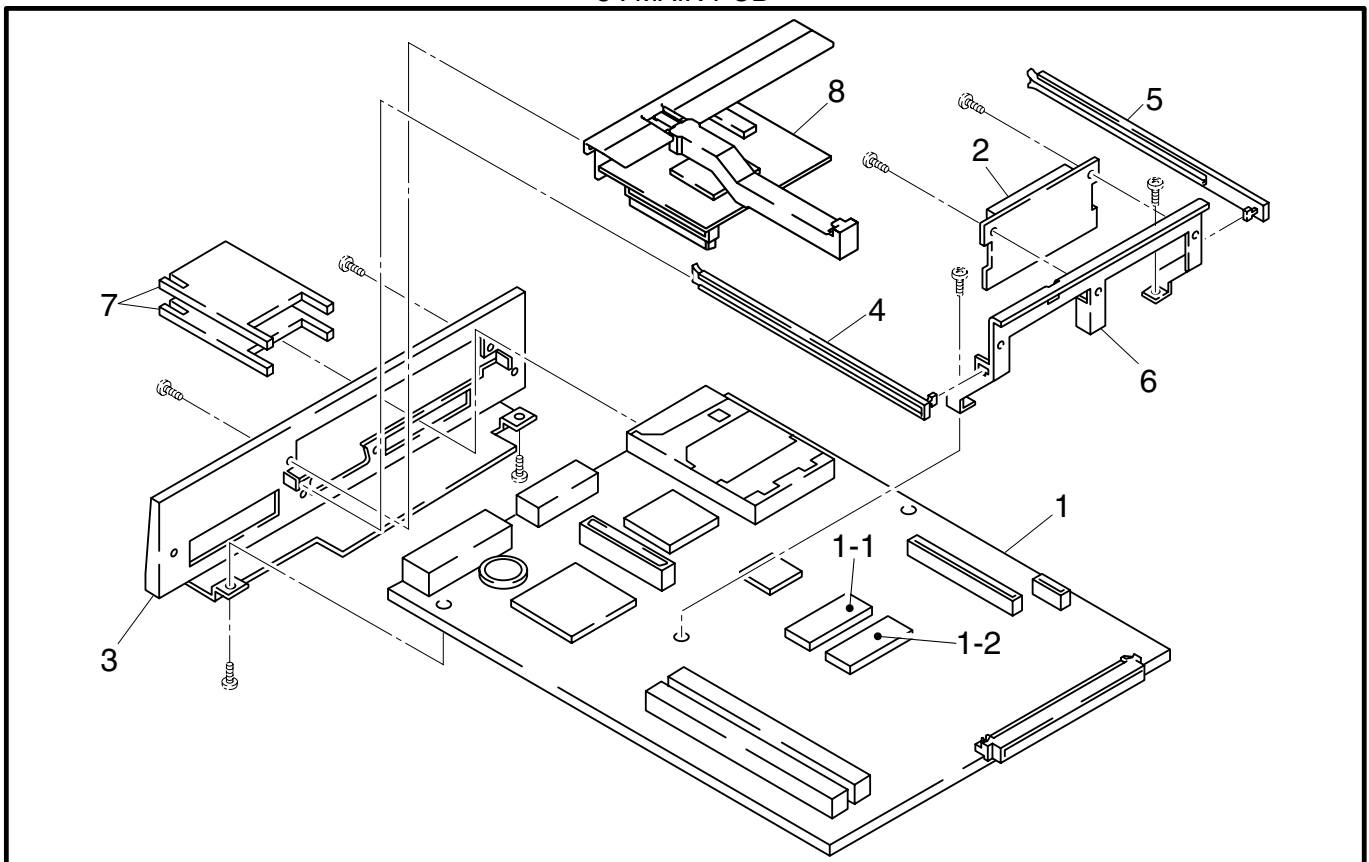
7. FUSING UNIT



T/I NO. PR2000046

MODEL HL-3400CN 54S-311

8. MAIN PCB



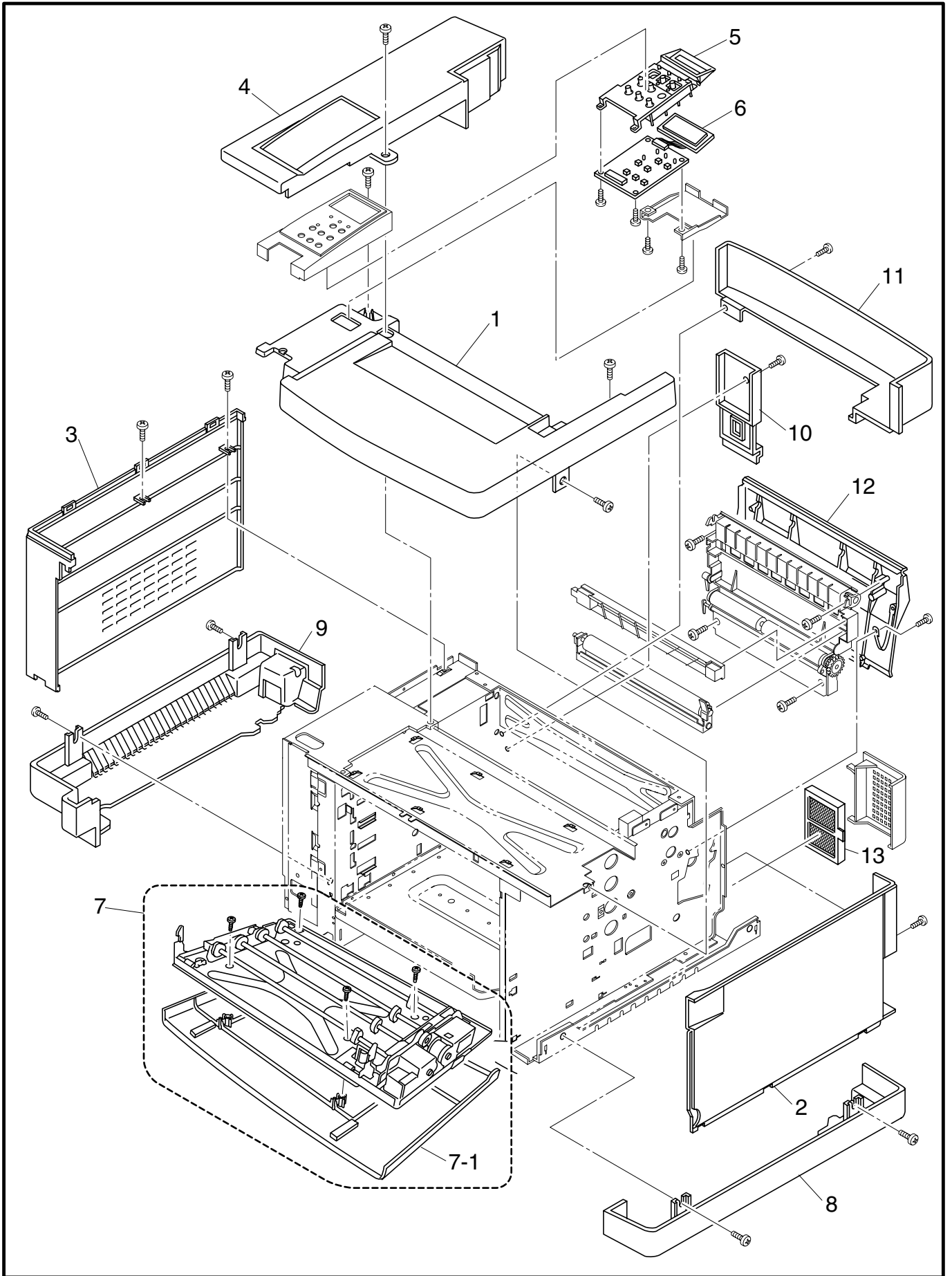
MODEL HL-3400CN 54S-311

9. COVER

| REF.NO | CODE | Q'TY | DESCRIPTION | REMARK |
|--------|-----------|------|------------------------|--------|
| 1 | LJ2182001 | 1 | TOP COVER 3 | |
| 2 | LJ2183001 | 1 | SIDE COVER 3 (R) | |
| 3 | LJ2184001 | 1 | SIDE COVER 3 (L) | |
| 4 | LJ2185001 | 1 | SIDE FRONT COVER 3 (L) | |
| 5 | LJ2186001 | 1 | UPPER SIDE COVER 3 | |
| 6 | LJ2187001 | 1 | PANEL CASE ASSY | |
| 7 | UH3455001 | 1 | PANEL BUTTON | |
| 8 | UH3456001 | 1 | PANEL PWB | |
| 9 | LJ2190001 | 1 | FRONT COVER UNIT 3 | |
| 9-1 | LJ2191001 | 1 | FRONT COVER 3 | |
| 10 | LJ2200001 | 1 | BASE COVER 3 (R) | |
| 11 | LJ2201001 | 1 | BASE COVER 3 (L) | |
| 12 | LJ2202001 | 1 | REAR COVER 3 | |
| 13 | LJ2203001 | 1 | REAR COVER 3 (U) | |
| 14 | LJ2249001 | 1 | OZONE FILTER COVER | |
| 15 | LJ2250001 | 2 | REAR COVER U CAP | |
| 16 | LJ2253001 | 1 | CLEANER COVER 3 | |

MODEL HL-3400CN 54S-311

9. COVER



MODEL HL-3400CN 54S-311

10. MCTL PWB

| REF.NO | CODE | Q'TY | DESCRIPTION | SYMBOL | REMARK |
|--------|-----------|------|-------------|----------|--------|
| 1 | LJ2244001 | 1 | MCTL PWB A3 | LEA V1.8 | |

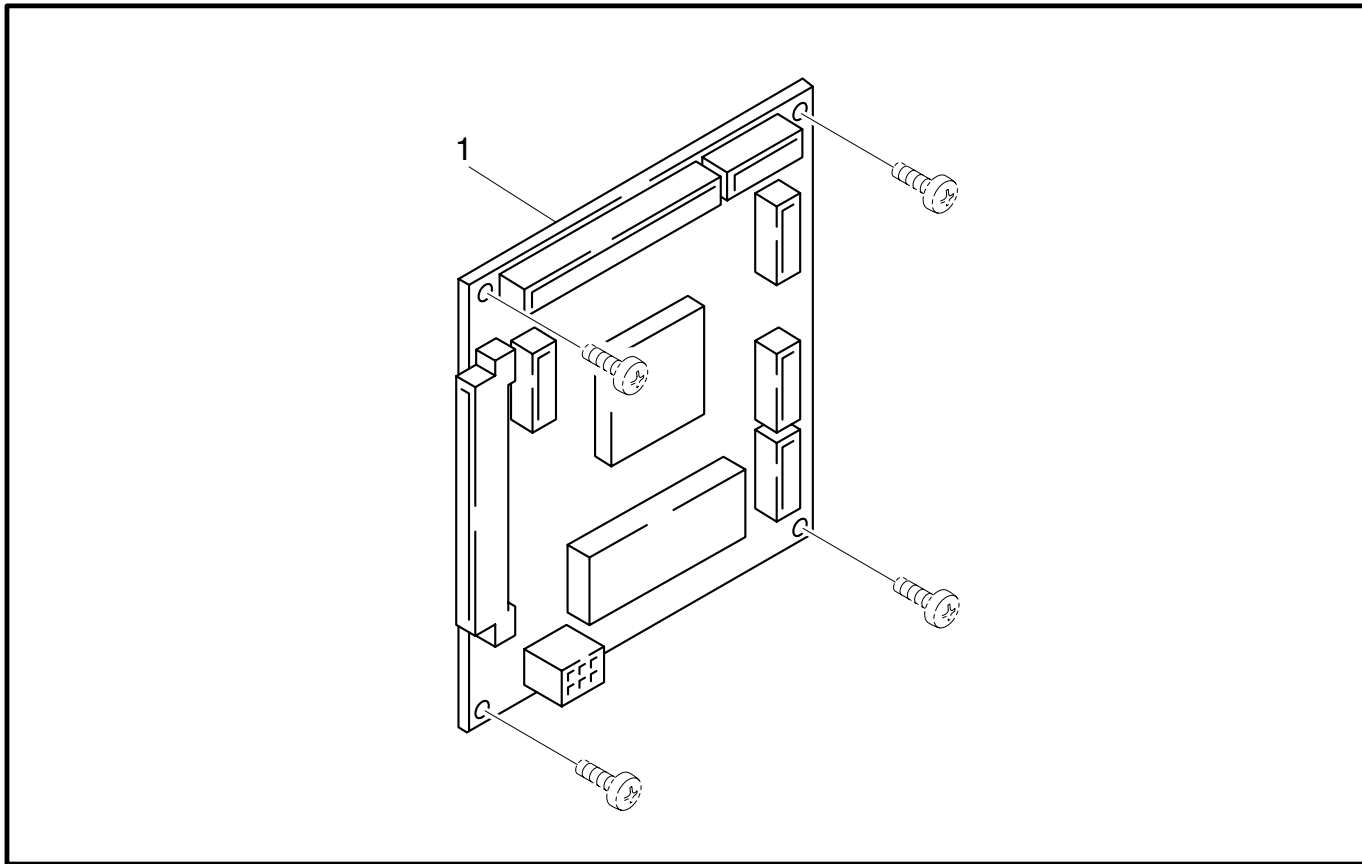
MODEL HL-3400CN 54S-311

11. IOD PWB

| REF.NO | CODE | Q'TY | DESCRIPTION | REMARK |
|--------|-----------|------|-------------|--------|
| 1 | LJ2245001 | 1 | IOD1 PWB 3 | |
| 2 | LJ2246001 | 1 | IOD2 PWB 3 | |

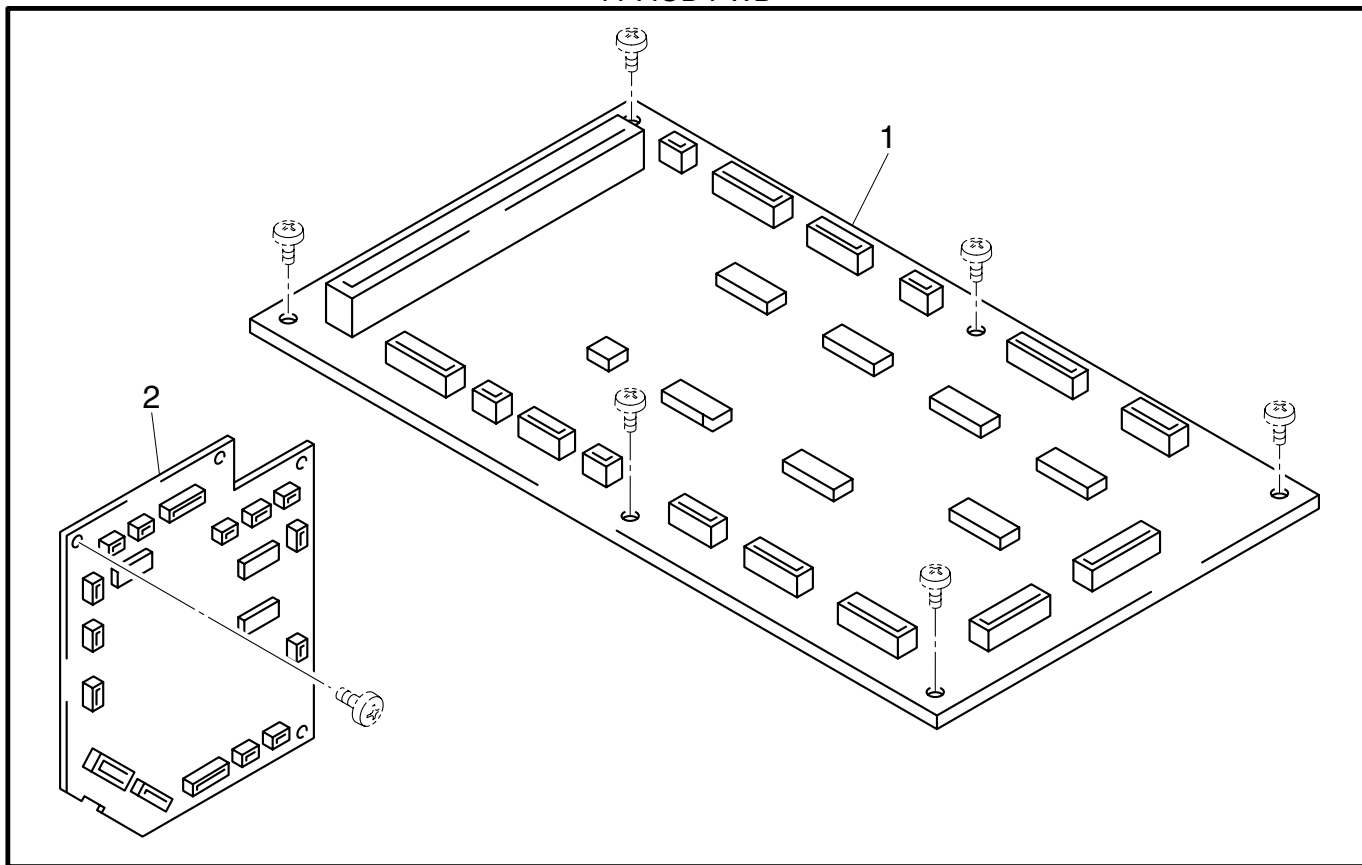
MODEL HL-3400CN 54S-311

10 . MCTL PWB



MODEL HL-3400CN 54S-311

11 . IOD PWB



MODEL HL-3400CN 54S-311

12. LOW-VOLTAGE POWER SUPPLY UNIT

| REF.NO | CODE | Q'TY | DESCRIPTION | SYMBOL | REMARK |
|--------|-----------|------|--------------------------|--------|--------|
| 1 | LJ2222001 | 1 | POWER SUPPLY UNIT 3 (US) | | |
| 1 | LJ2220001 | 1 | POWER SUPPLY UNIT 3 (EC) | | |

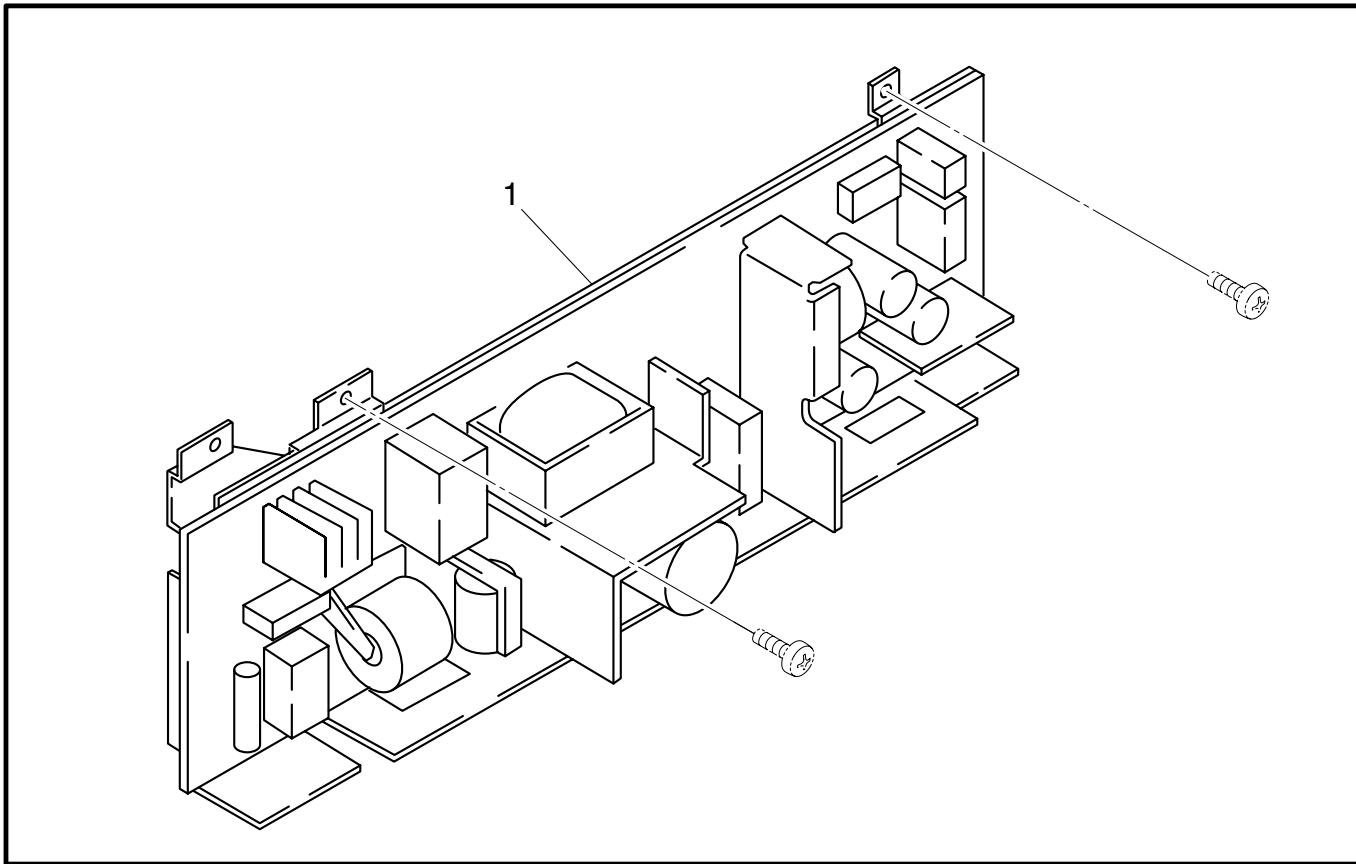
MODEL HL-3400CN 54S-311

13. HIGH-VOLTAGE POWER SUPPLY UNIT

| REF.NO | CODE | Q'TY | DESCRIPTION | REMARK |
|--------|-----------|------|---------------------|--------|
| 1 | LJ2247001 | 1 | HIGH VOLTAGE UNIT 3 | |

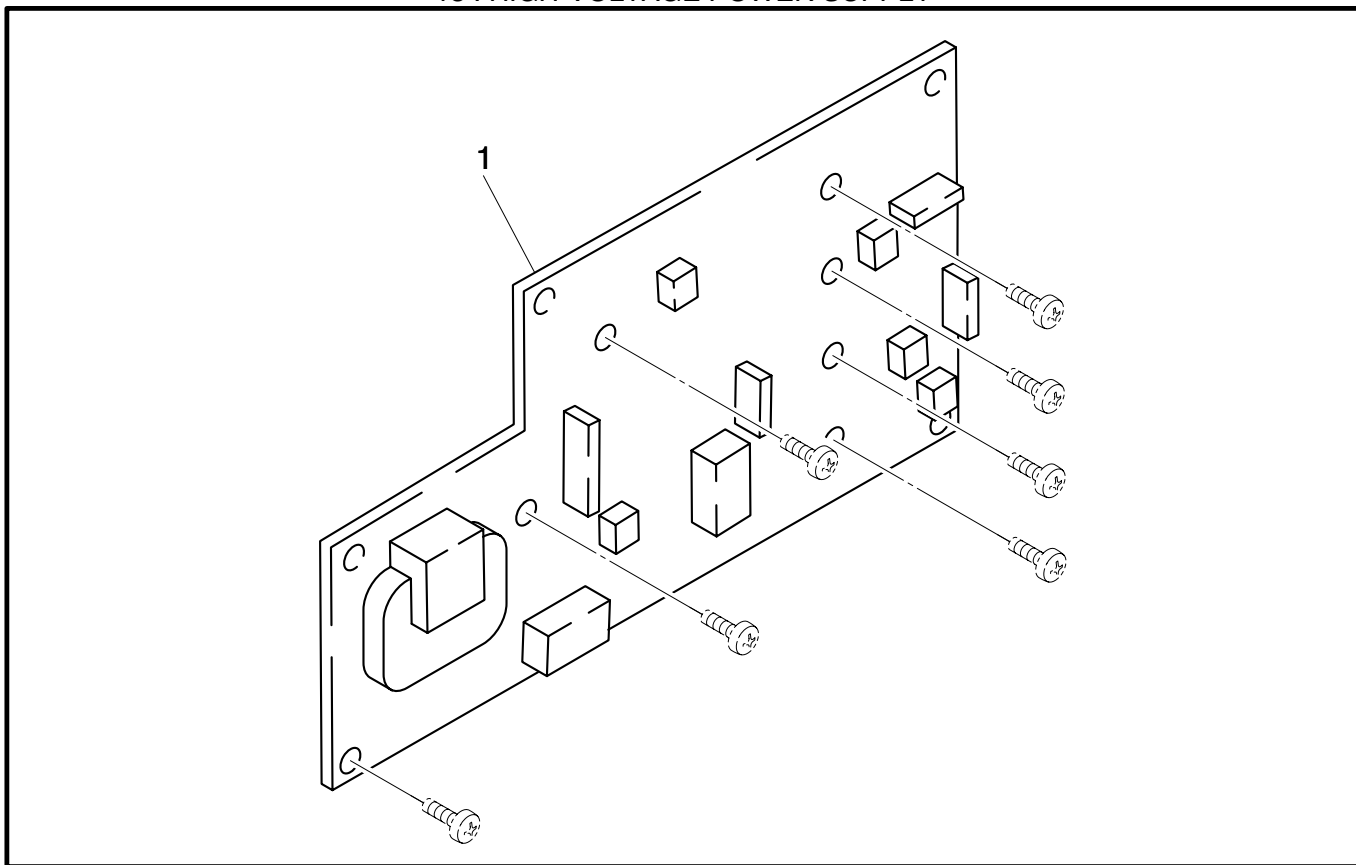
MODEL HL-3400CN 54S-311

12 . LOW-VOLTAGE POWER SUPPLY UNIT



MODEL HL-3400CN 54S-311

13 . HIGH-VOLTAGE POWER SUPPLY



MODEL HL-3400CN 54S-311

14. AC CORDS

| REF.NO | CODE | Q'TY | DESCRIPTION | REMARK |
|--------|-----------|------|------------------------|--------|
| 1A | UH1933001 | 1 | AC CORD US/CSA | |
| 1B | UH1052001 | 1 | AC CORD VDE | |
| 1C | UH1053001 | 1 | AC CORD SEV | |
| 1D | UH1054001 | 1 | AC CORD BS | |
| 1E | UH1055001 | 1 | AC CORD SAA | |
| 1F | U34320001 | 1 | AC CORD #4, BS WO/PLUG | |
| 1G | UK4094001 | 1 | AC CORD #5, DEMKO | |
| 1H | U34322001 | 1 | AC CORD #6, ISRAEL | |

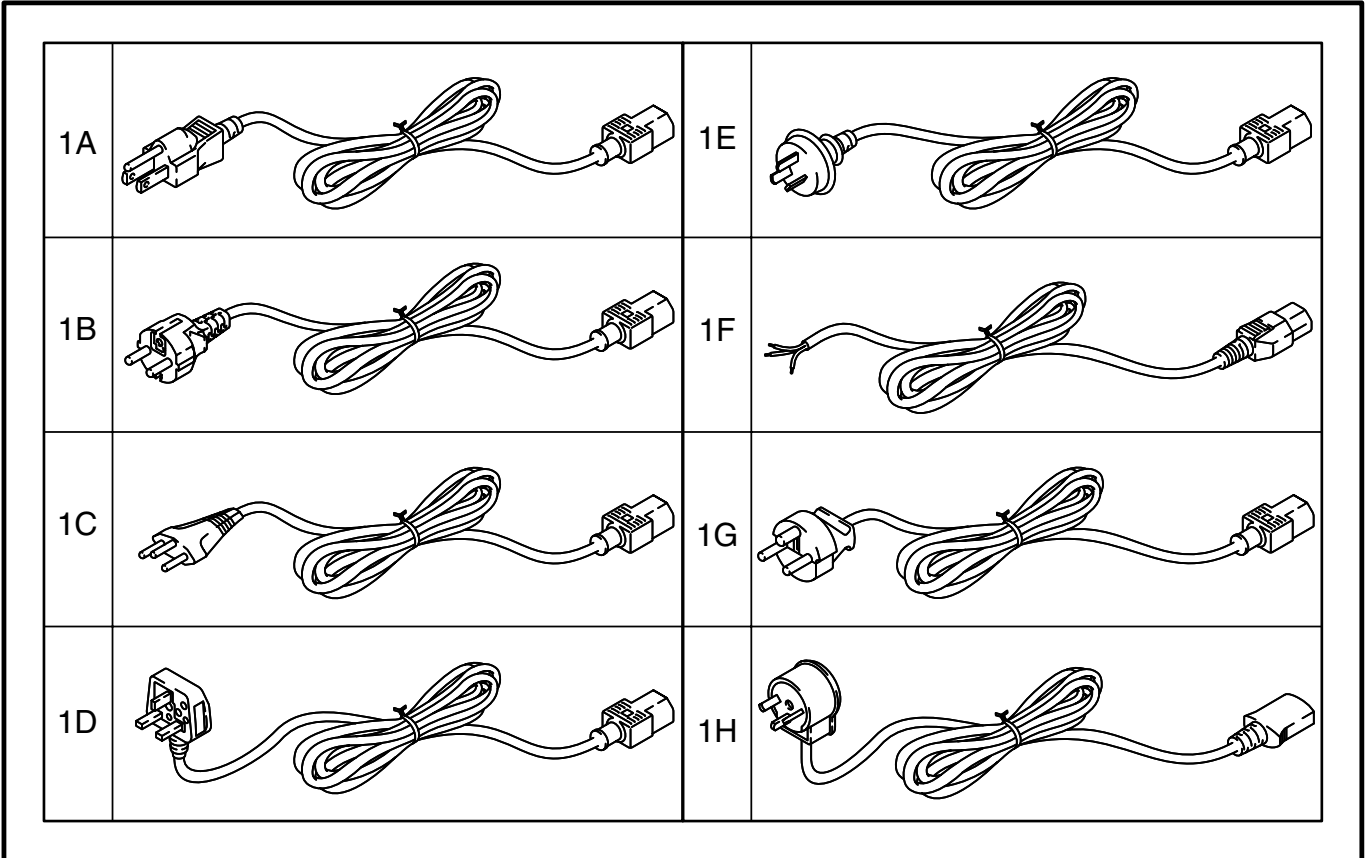
MODEL HL-3400CN 54S-311

15. ACCESSORIES

| REF.NO | CODE | Q'TY | DESCRIPTION | REMARK |
|--------|-----------|------|--------------------|--------|
| 1 | LJ2080001 | 1 | CD ASSY | |
| 2 | LJ2102001 | 1 | USER'S MANUAL, ENG | |
| 2 | LJ2128001 | 1 | USER'S MANUAL, GER | |
| 2 | LJ2103001 | 1 | USER'S MANUAL, FRA | |
| 2 | LJ2134001 | 1 | USER'S MANUAL, DUT | |
| 3 | LJ2104001 | 1 | SET UP GUIDE, ENG | |
| 3 | LJ2129001 | 1 | SET UP GUIDE, GER | |
| 3 | LJ2105001 | 1 | SET UP GUIDE, FRA | |
| 3 | LJ2135001 | 1 | SET UP GUIDE, DUT | |
| 3 | LJ2144001 | 1 | SET UP GUIDE, DEN | |
| 4 | UE2014001 | 1 | PE BAG 215X350H | |

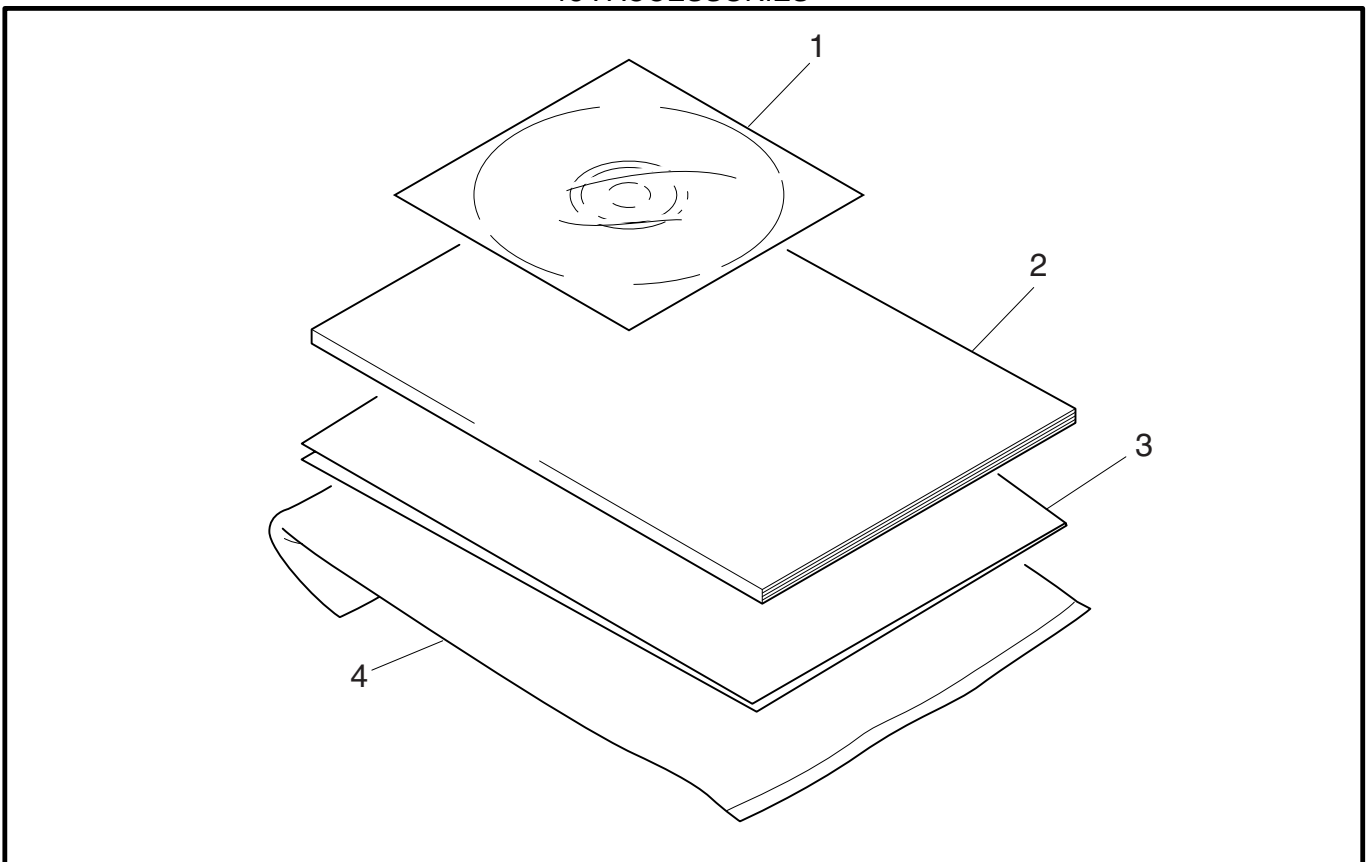
MODEL HL-3400CN 54S-311

14 . AC CORDS



MODEL HL-3400CN 54S-311

15 . ACCESSORIES



MODEL HL-3400CN 54S-311

16. PACKING MATERIALS

| REF.NO | CODE | Q'TY | DESCRIPTION | REMARK |
|--------|-----------|------|-----------------------|--------|
| 1 | LL0130001 | 1 | OUTER BOX 3 (B) | |
| 2 | LL0134001 | 1 | ST PACKING SET 3 (B) | |
| 3 | LL0199001 | 1 | BASE SET 3 (B) | |
| 4 | LL0133001 | 1 | POLYETHYLENE BAG (EN) | |
| 5 | LL0132001 | 1 | PALLET 3 (B) | |

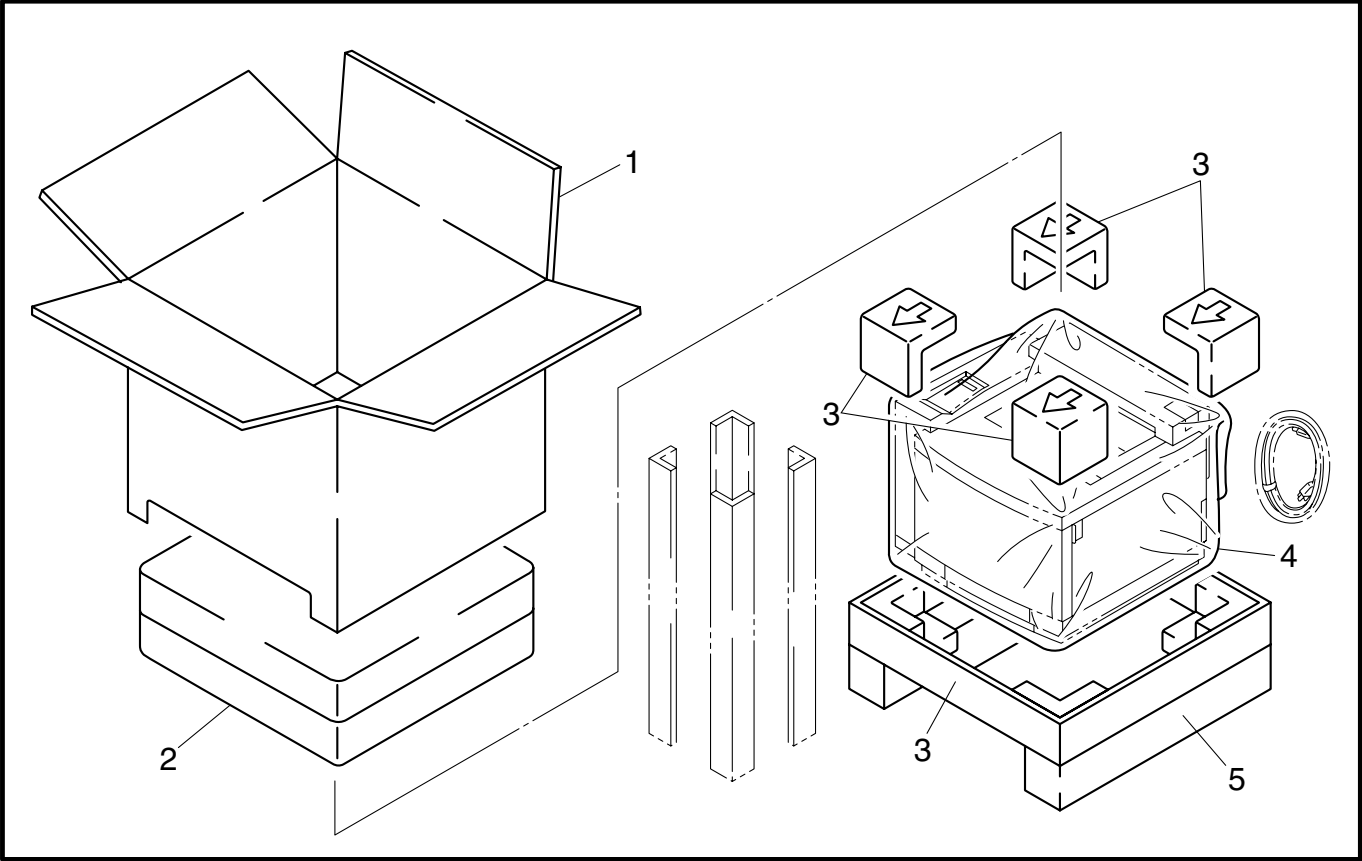
MODEL HL-3400CN 54S-311

17. PERIODICAL REPLACEMENT PARTS

| REF.NO | CODE | Q'TY | DESCRIPTION | REMARK |
|--------|-----------|------|-------------------|--------|
| 1 | LJ2319001 | 1 | 240K KIT | |
| 2 | LJ2320001 | 1 | 120K KIT | |
| 3 | LJ2321001 | 1 | PAPER FEEDING KIT | |
| 4 | LJ2322001 | 1 | 70K KIT (US) | |
| 4 | LJ2323001 | 1 | 70K KIT (EC) | |

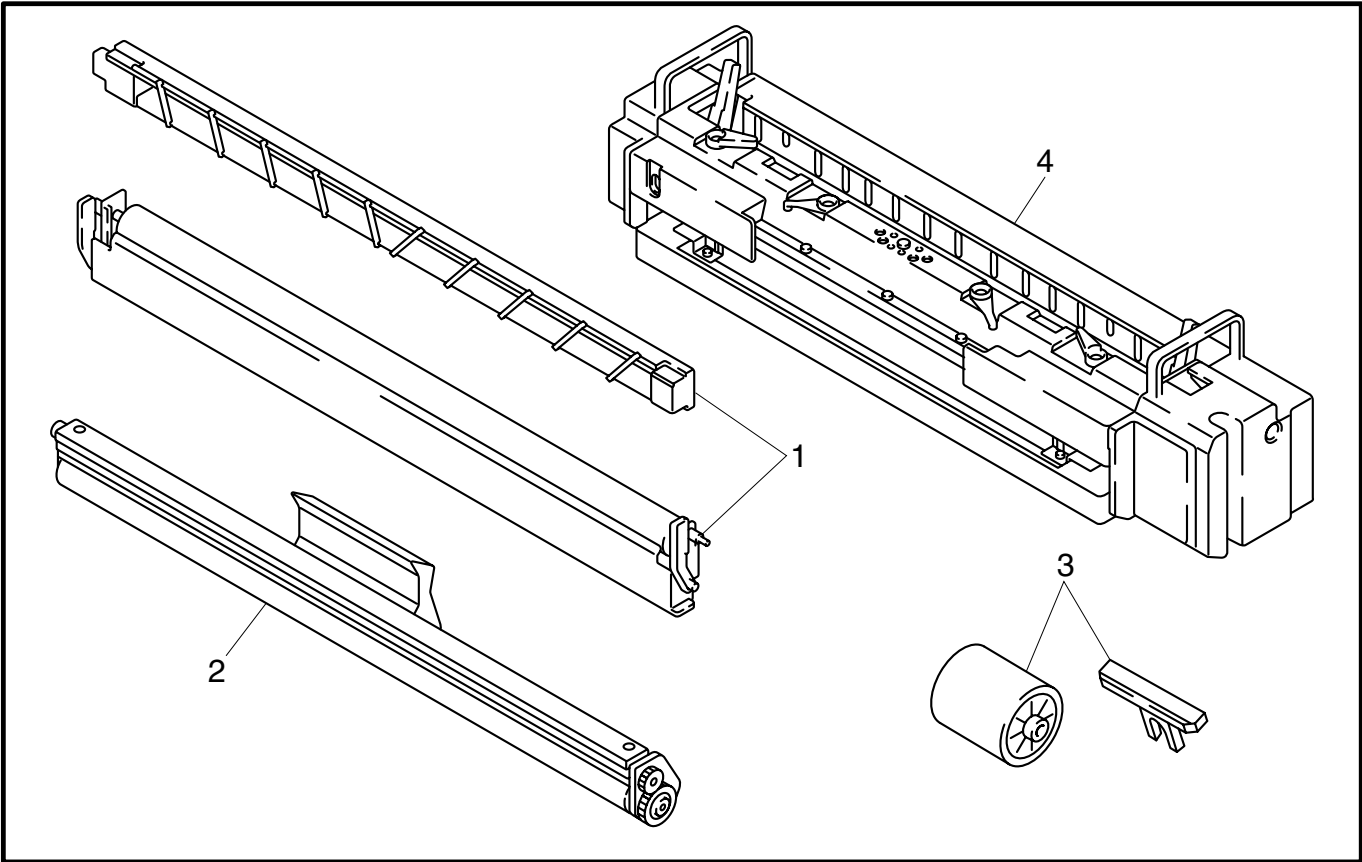
MODEL HL-3400CN 54S-311

16 . PACKING MATERIALS



MODEL HL-3400CN 54S-311

17 . PERIODICAL REPLACEMENT PARTS



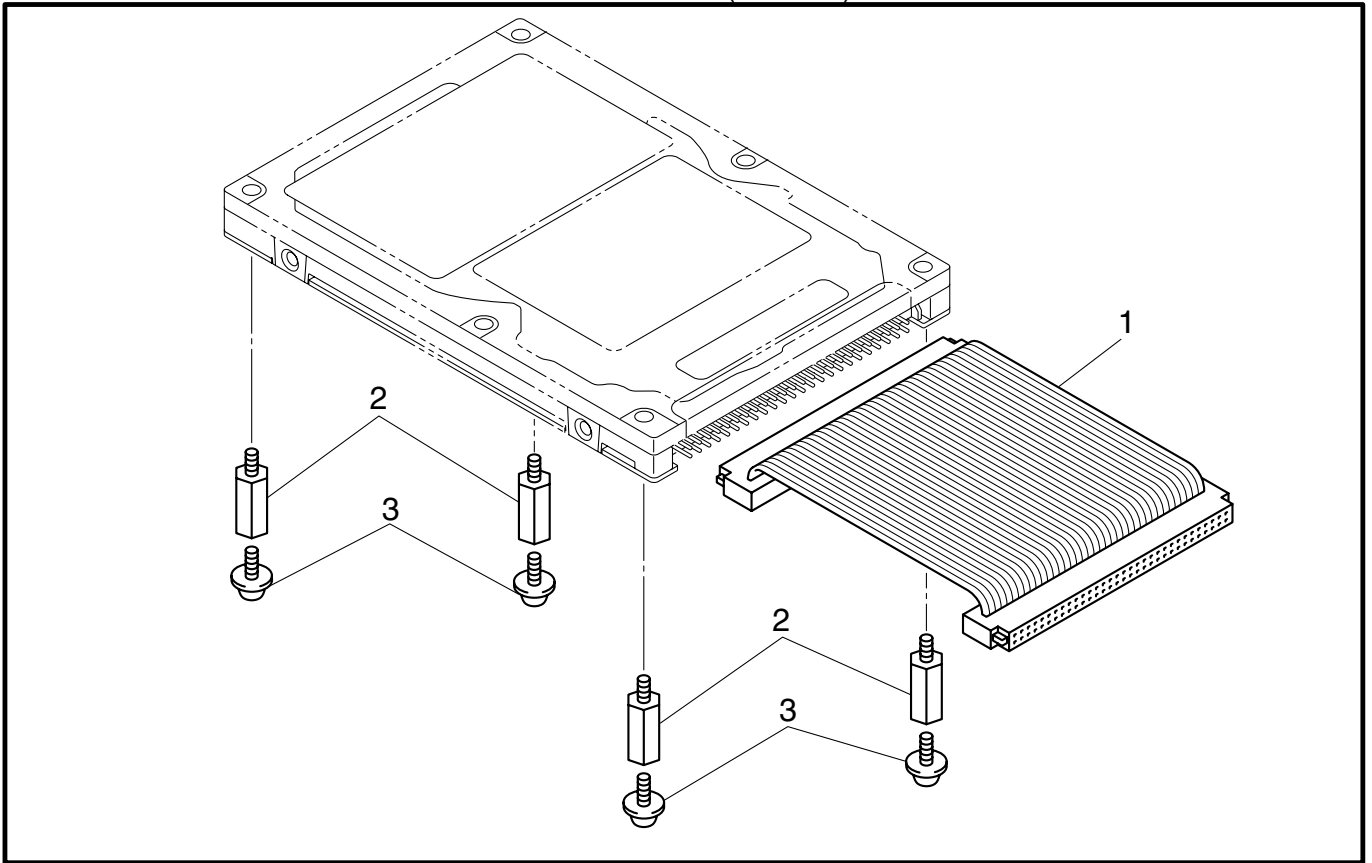
MODEL HL-3400CN 54S-311

18. HARD DISK (OPTION)

| REF.NO | CODE | Q'TY | DESCRIPTION | REMARK |
|--------|-----------|------|---------------------|--------|
| 1 | LJ2256001 | 1 | HDD CABLE | |
| 2 | LJ2257001 | 4 | SHOULDER SCREW | |
| 3 | 87320616 | 4 | TAPTITE, CUP S M3X6 | |

MODEL HD6G 54SX22

18 . HARD DISK (OPTION)



MODEL HD6G 54SX22