



LASER PRINTER

PARTS REFERENCE LIST



HL-2060

NOTE FOR USING THIS PARTS REFERENCE LIST

1. In the case of ordering parts, it needs mentioning the following items:

- (1) Code
- (2) Q'ty
- (3) Description
- (4) Symbol (PCB No., Revision , and Parts location mounted on the PCB.)

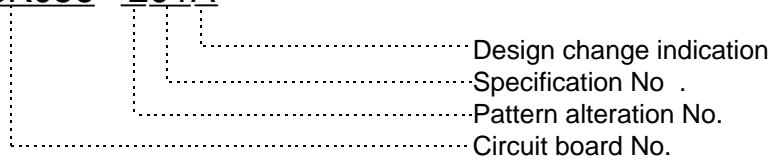
Note : No orders without Parts Code or Tool No. can be accepted.

< Example >

REF.NO.	CODE	Q'TY	DESCRIPTION	SYMBOL	REMARK

Revision No.: marked on the printed circuit board.

B48K056 - 201A



2. Design-changed parts :

If the parts are changed, any one of the following symbols is indicated in the REMARKS column.

- #A : compatible between old and new
- #B : replaceable from old to new
- #D : incompatible
- # : newly established

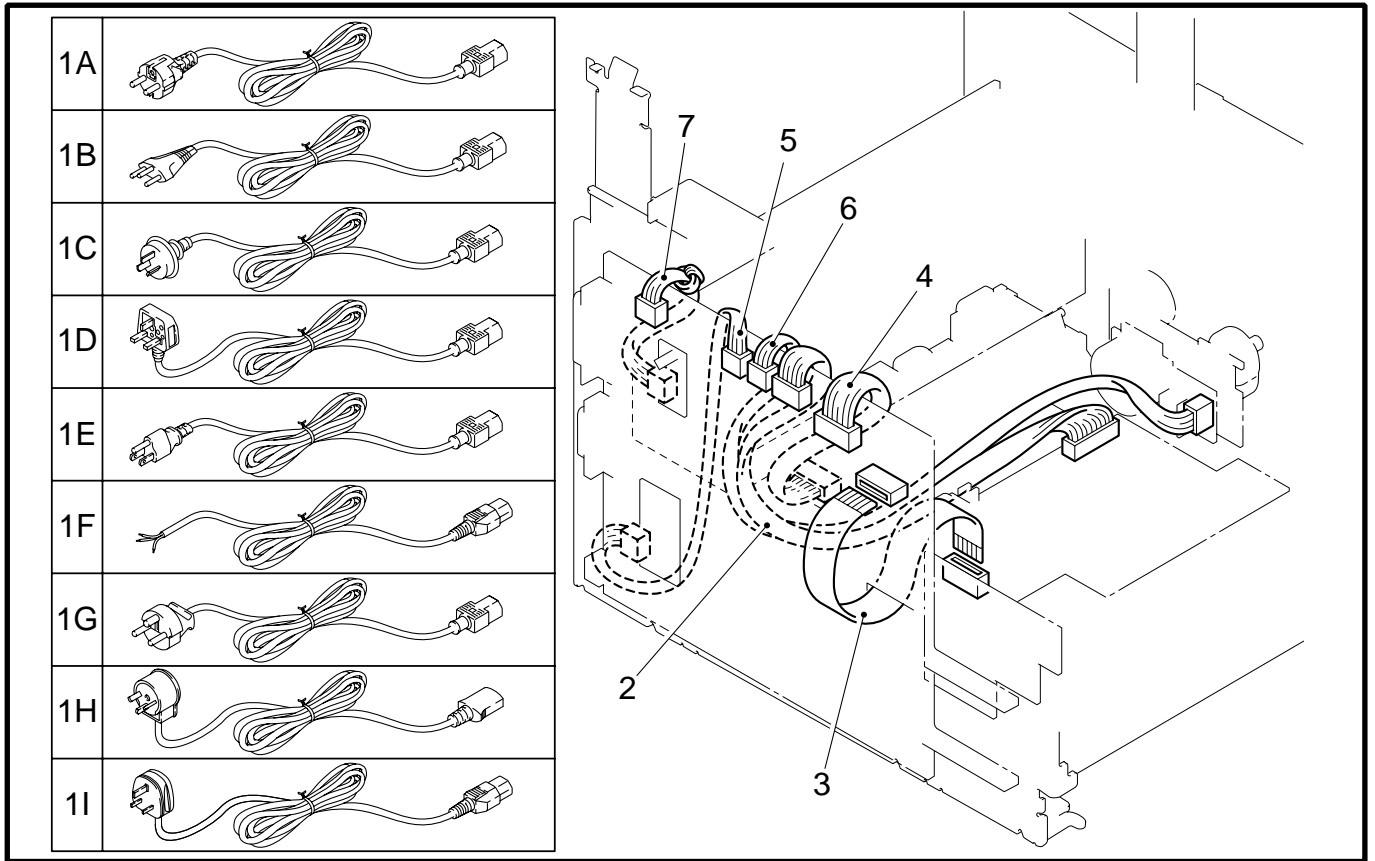
3. The original of this list was made based on the information available in November, 1997.

4. Parts are subject to change in design without prior notice.

CONTENTS

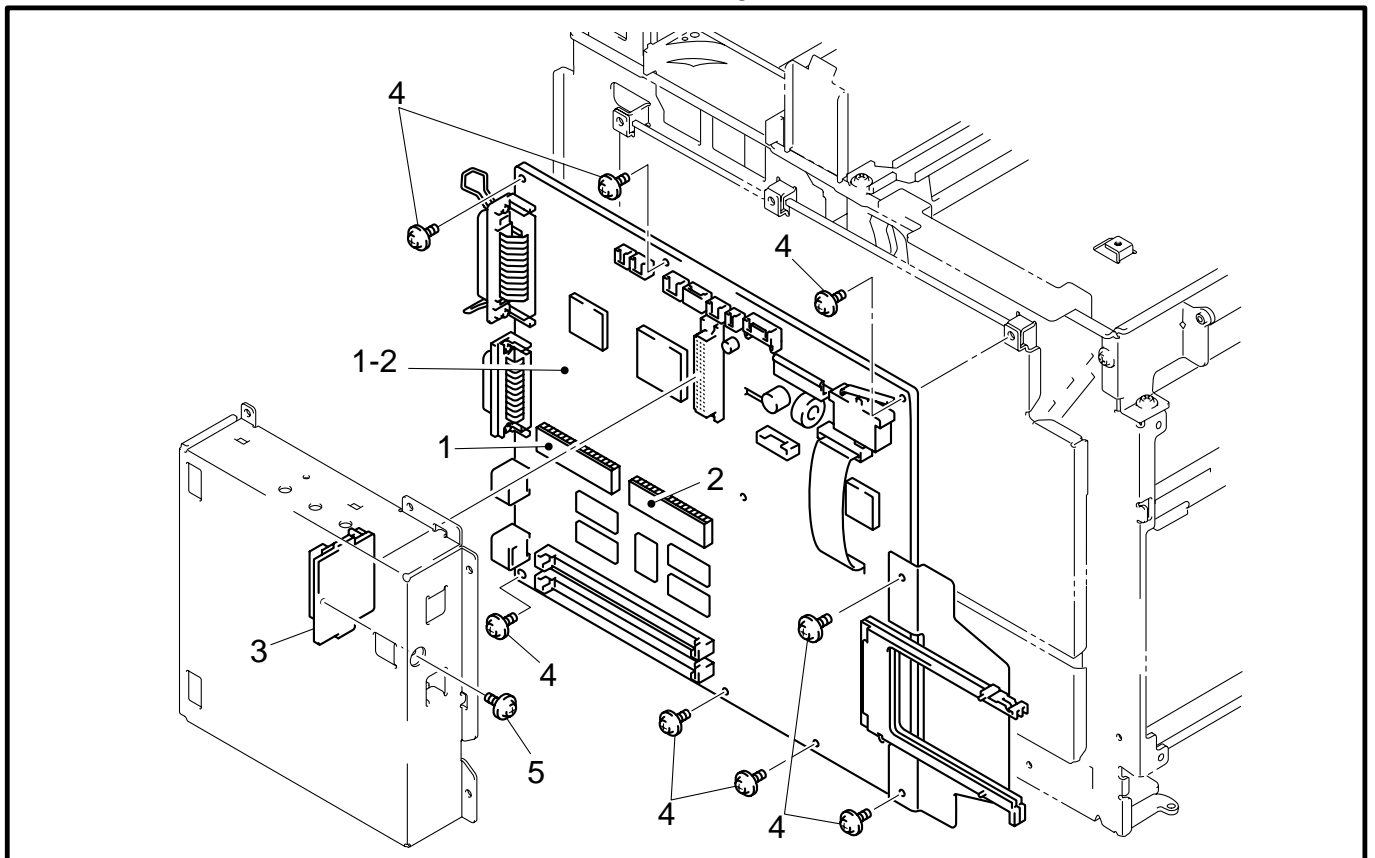
1. POWER CORDS & HARNESSSES	1
2. MAIN PCB.....	1
3. HIGH-VOLTAGE POWER SUPPLY	3
4. LOW-VOLTAGE POWER SUPPLY	3
5. COVERS	5
6. PCB ATTACHMENTS	7
7. TRANSFER.....	7
8. CHASSIS	9
9. PAPER FEEDER.....	11
10. PAPER TRAY A4, LRT/LGL.....	13
11. LASER UNIT	13
12. FIXING UNIT, 115V/230V	15
13. DOCUMENTS	15
14. PACKING MATERIALS.....	17
15. ADJUSTMENT TOOL KIT.....	19

1 . POWER CORDS & HARNESSSES



MODEL HL-2060 54T-U04-050/070

2 . MAIN PCB



MODEL HL-2060 54T-U04-103

1. POWER CORDS & HARNESSSES

REF.NO.	CODE	Q'TY	DESCRIPTION	REMARK
1A	UH1052001	1	AC CORD, VDE	
1B	UH1053001	1	AC CORD, SEV	
1C	UH1055001	1	AC CORD, SAA	
1D	UH1054001	1	AC CORD, BS	
1E	UH1051001	1	AC CORD, UL/CSA	
1F	U34320001	1	AC CORD #4, BS	
1G	UK4094001	1	AC CORD, DEMKO	
1H	U34322001	1	AC CORD #6, ISRAEL	
1I	U34342001	1	AC CORD #8, BS/SINGAPORE	
2	UK2502001	1	HV HARNESS 16P	
3	UK4100000	1	PAPER FEED FFC 21P	
4	UK2506001	1	LV HARNESS 8P	
5	UK2507001	1	FUSER HARNESS 4P	
6	UK4072001	1	DC MOTOR HARNESS 3P	
7	UK4166001	1	PAPER EJECT SENSOR HARNESS 3P	

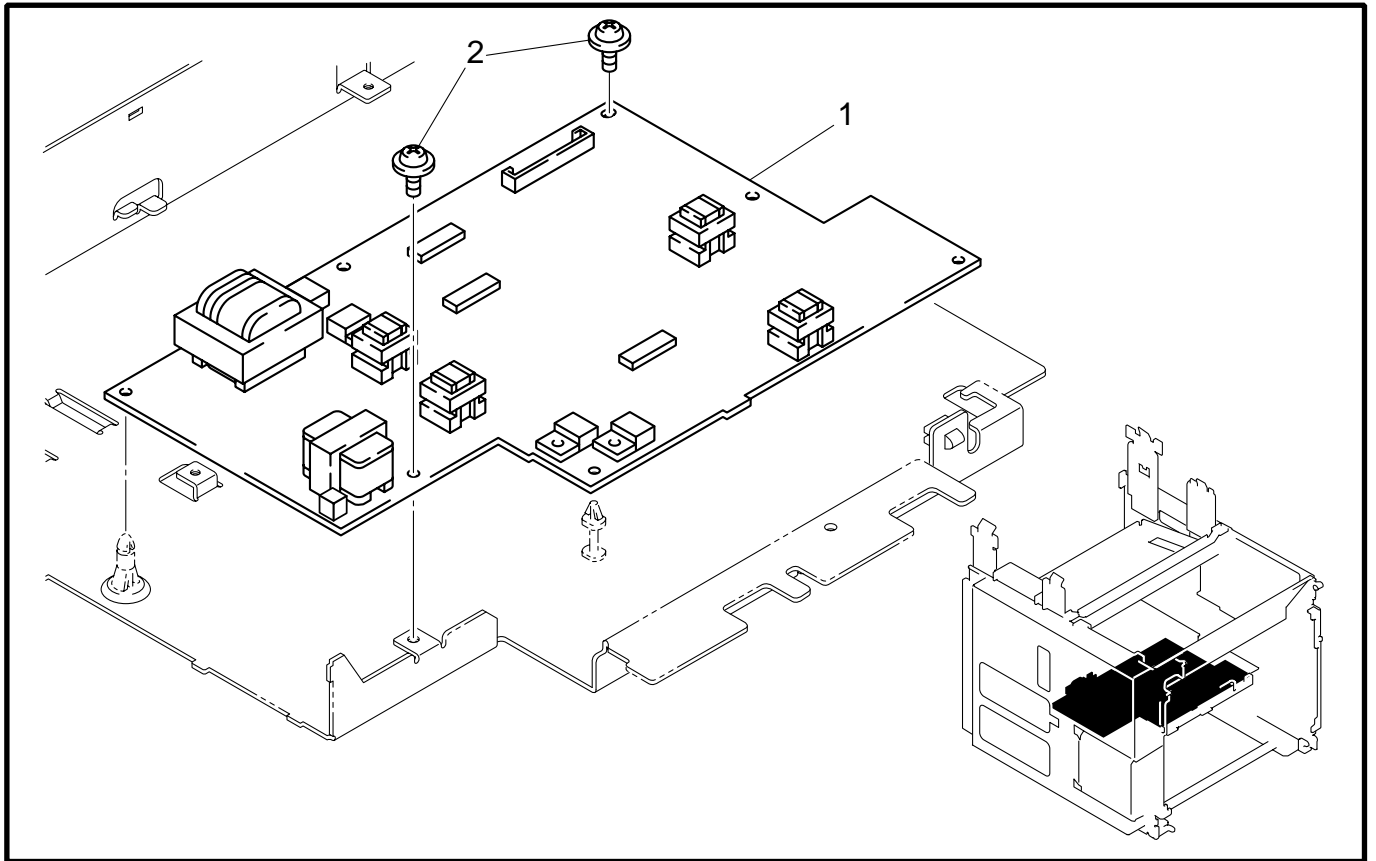
MODEL HL2060 54T-U04-050/070

2. MAIN PCB

REF.NO.	CODE	Q'TY	DESCRIPTION	SYMBOL	REMARK
1-2	UK4051001	1	MAIN PCB ASSY, HL-2060	B512006-2	
1	UK4215000	1	MROM23C32000-01 EVEN		
2	UK4216000	1	MROM23C32000-02 ODD		
3	UK4056001	1	MIO CONNECTOR PCB ASSY	B512013-2	
4	087320616	8	TAPTITE, CUP S M3X6		
5	087320616	1	TAPTITE, CUP S M3X6		

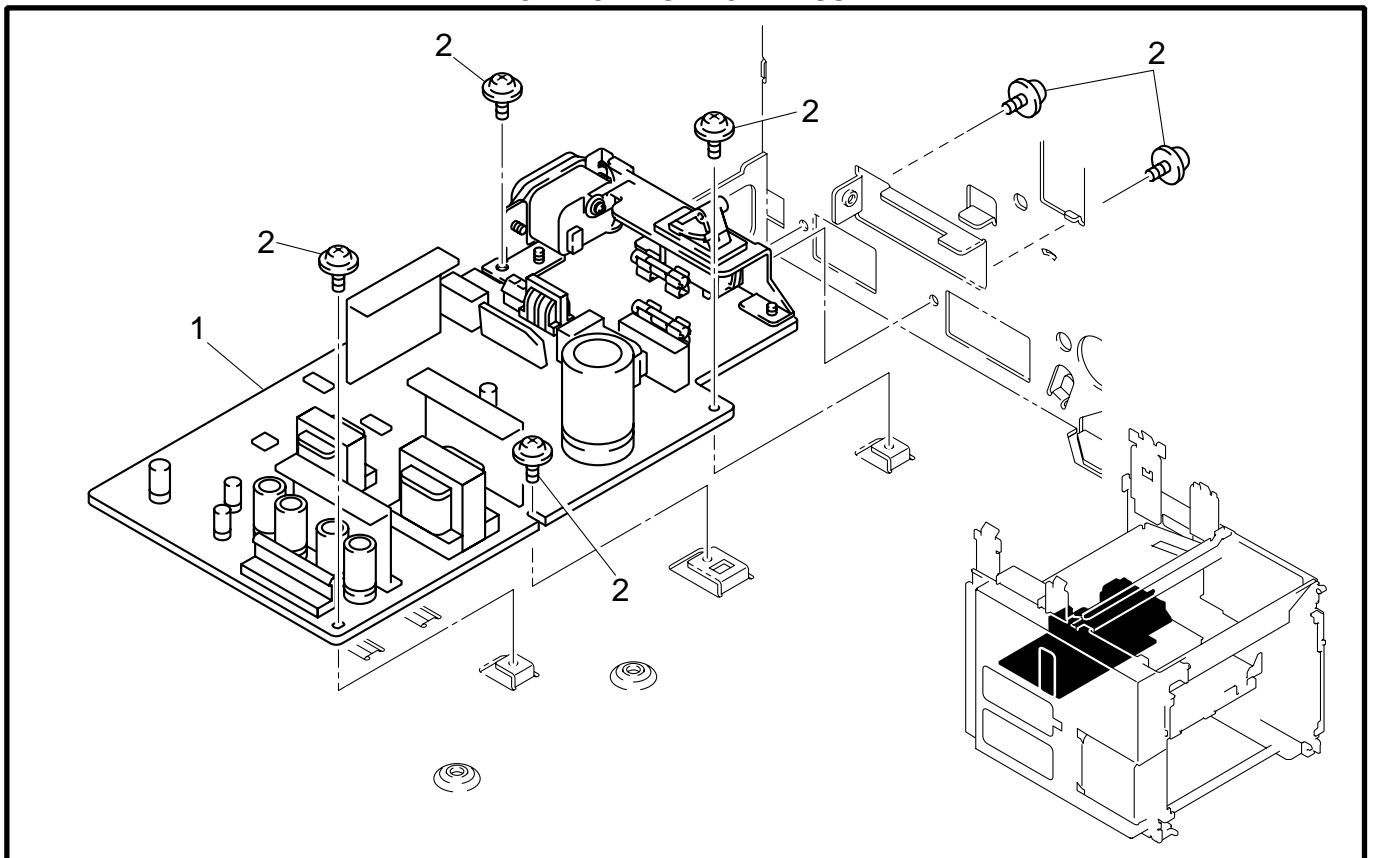
MODEL HL-2060 54T-U04-103

3 . HIGH-VOLTAGE POWER SUPPLY



MODEL HL-2060 54T-U04-200

4 . LOW-VOLTAGE POWER SUPPLY



MODEL HL-2060 54T-U04-200

3. HIGH-VOLTAGE POWER SUPPLY

REF.NO.	CODE	Q'TY	DESCRIPTION	SYMBOL	REMARK
1	UK3750001	1	HV PS PCB ASSY HL-2060	B48K297-2	
2	087320616	2	TAPTITE, CUP S M3X6		

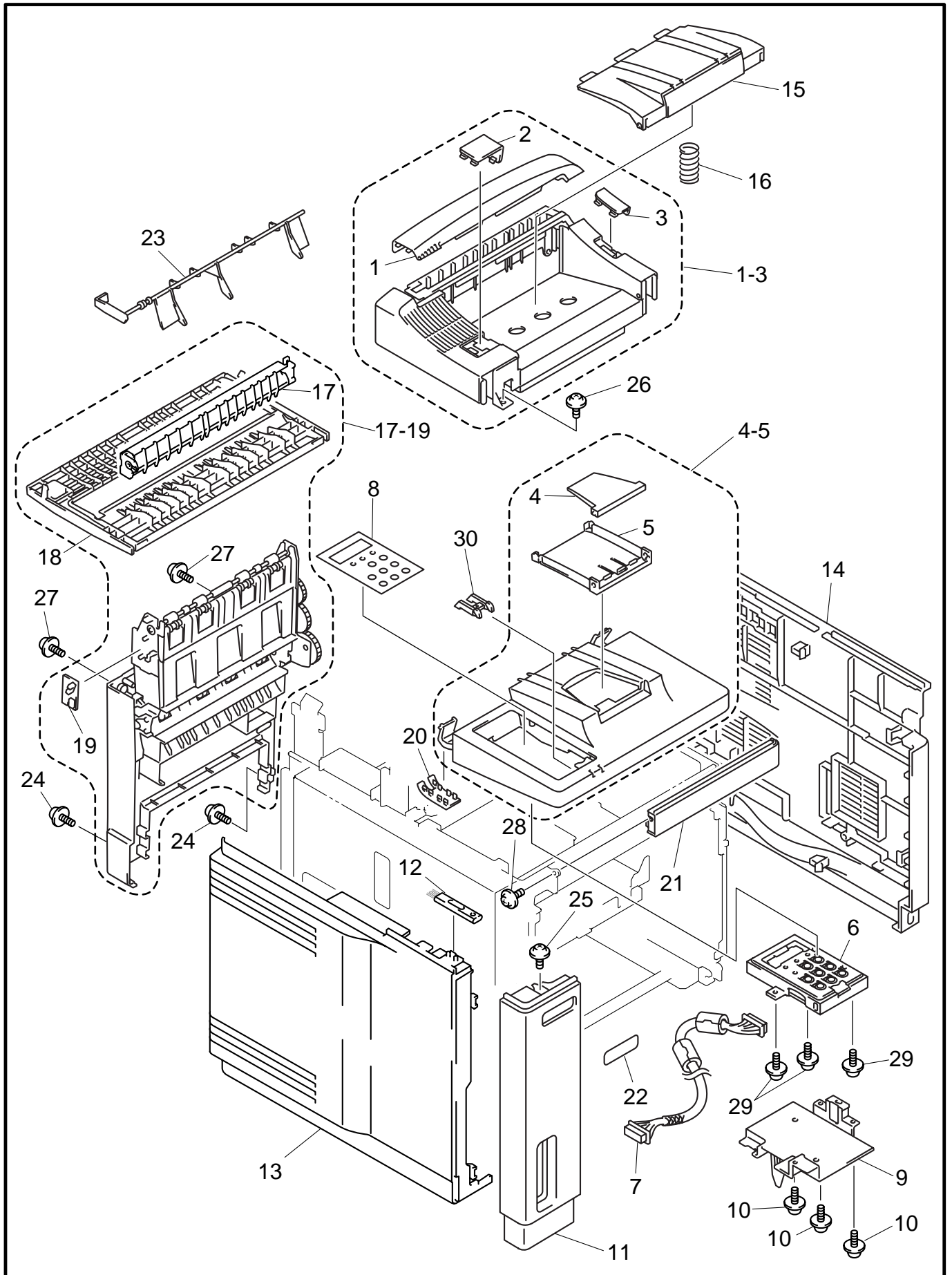
MODEL HL-2060 54T-U04-200

4. LOW VOLTAGE POWER SUPPLY

REF.NO.	CODE	Q'TY	DESCRIPTION	SYMBOL	REMARK
1	UK4150001	1	LV PS PCB ASSY 115V HL-2060		
1	UK4151001	1	LV PS PCB ASSY 230V HL-2060		
2	UH2036001	6	TAPTITE, PAN S(WASHER) M3X8		

MODEL HL-2060 54T-U04-300

5 .COVERS



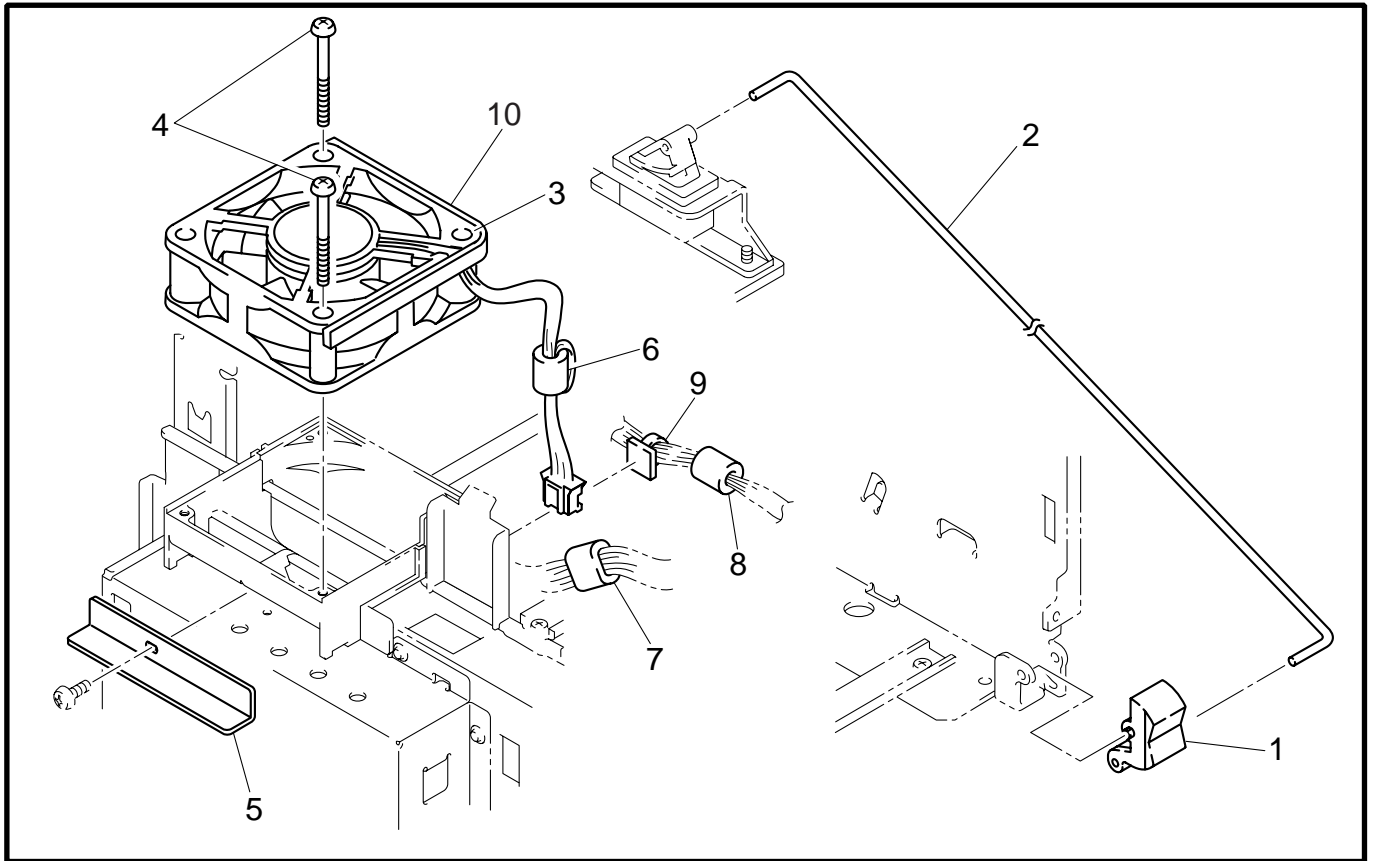
MODEL HL-2060 54T-U04-400

5. COVERS

REF.NO.	CODE	Q'TY	DESCRIPTION	SYMBOL	REMARK
1-3	UH1526001	1	UPPER COVER ASSY		
1	UH1533001	1	M COVER A		
2	UH1534001	1	M COVER B		
3	UH1535001	1	M COVER C		
4-5	UH1538001	1	TONER CARTRIDGE LID		
4	UH1540001	1	PAPER STOPPER		
5	UH1541001	1	PAPER STOPPER GUIDE		
6	UH1893001	1	SW PANEL ASSY (SP)	B512005-1	
7	UK4068001	1	SW PANEL HARNESS ASSY		
8	UH1589001	1	PANEL SHEET HL-2060		
9	UH1510001	1	INTERLOCK ACTUATOR		
10	085311015	3	TAPTITE, BIND B M3X10		
11	UH1572001	1	FONT CARD COVER		
12	UH2076001	1	CLEANER BRUSH		
13	UH2077001	1	SIDE COVER L, GRAY1227		
14	UH2027001	1	SIDE COVER R2 ASSY		
15	UH1531001	1	SWING PAPER TRAY		
16	UL7978001	1	PLATE SPRING		
17-19	UH1542001	1	REAR COVER ASSY		
17	UH2085001	1	CHANGEOVER GUIDE, GRAY1227		
18	UH1548001	1	JAM REMOVE COVER		
19	UK4083001	1	PAPER EJECT SENSOR PCB ASSY	B512002-1	
20	UH1511001	1	LEAD WIRE COVER		
21	UH1512001	1	FRONT COVER		
22	UH1514001	1	NAME PLATE		
23	UH1545001	1	PAPER SENSOR ACTUATOR		
24	087320616	2	TAPTITE, CUP S M3X6		
25	087320616	1	TAPTITE, CUP S M3X6		
26	087320616	1	TAPTITE, CUP S M3X6		
27	087321016	2	TAPTITE, CUP S M3X10		
28	060301006	1	TAPTITE, BIND B M3X10		
29	085311015	3	TAPTITE, BIND B M3X8		
30	UH1509001	1	LIGHT GUIDE		

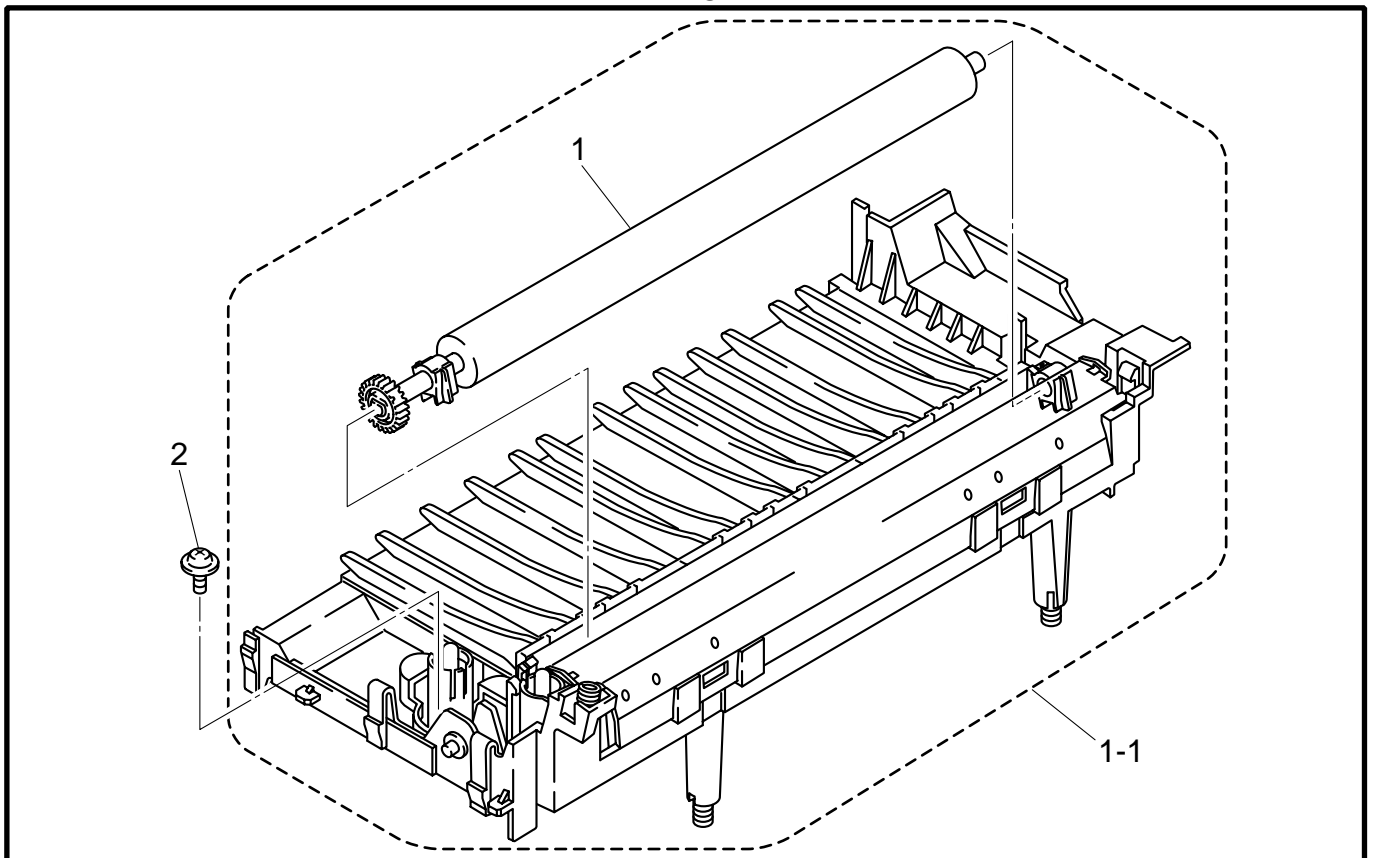
MODEL HL-2060 54T-U04-400

6 . PCB ATTACHMENTS



MODEL HL-2060 54T-U04-450

7 . TRANSFER



MODEL HL-2060 54T-U04-600

6. PCB ATTACHMENT

REF.NO.	CODE	Q'TY	DESCRIPTION	REMARK
1	UH2121001	1	REMOTE SWITCH	
2	UH2122000	1	PS SWITCH WIRE	
3	UH1552001	1	DC FAN MOTOR2	
4	083313515	2	TAPTITE, PAN B M3X35	
5	UH2144000	1	HOLDER SPACER	
6	UK2826000	1	CORE:RI-12-15-8.5	
7	UK3213000	1	CORE:FPC-16-12	
8	UK3214000	1	CORE:ZCAT1518	
9	UK3215000	1	CABLE CLAMP	
10	UH2030000	1	DC FAN SPONGE	

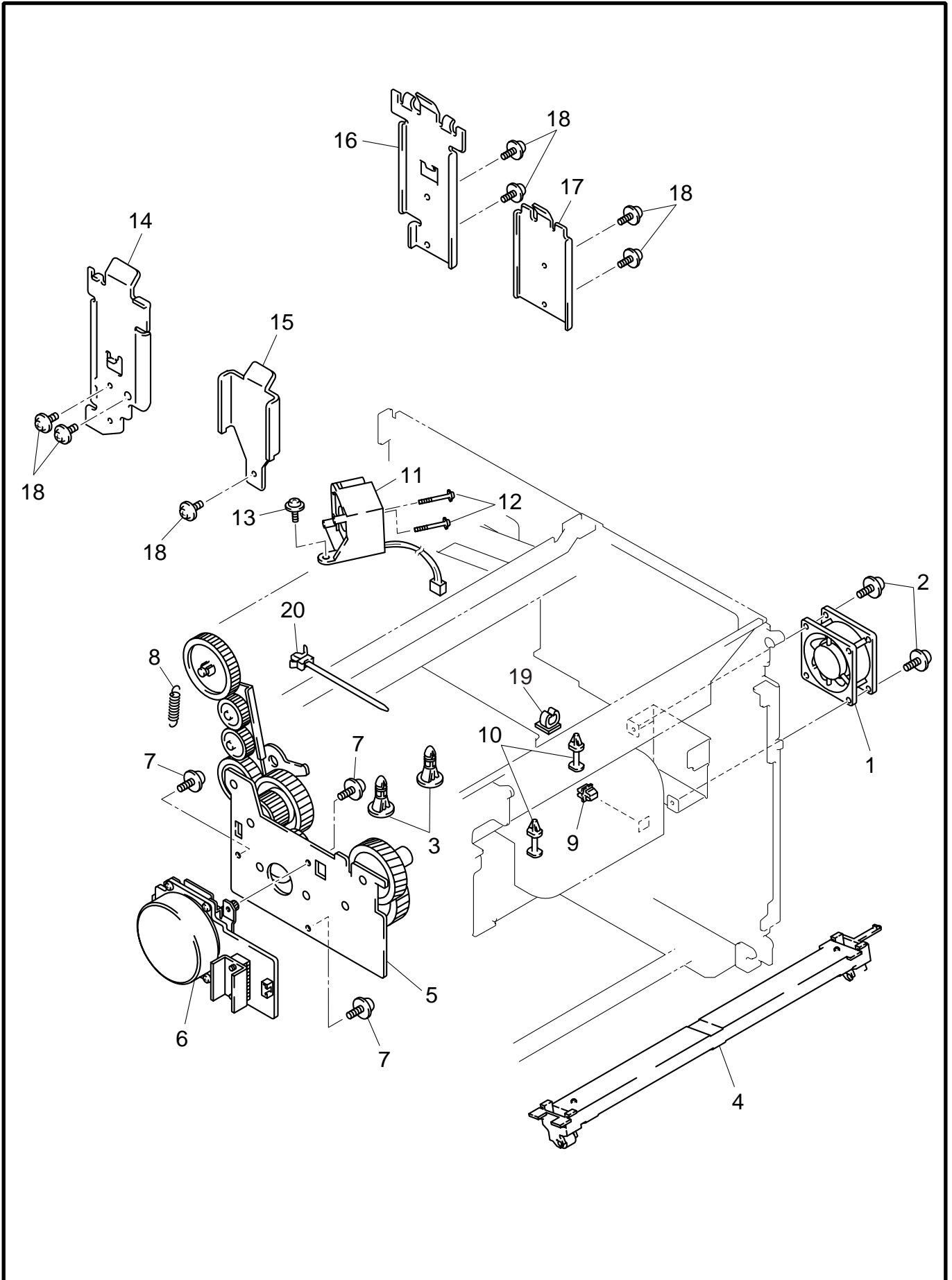
MODEL HL-2060 54T-U04-450

7. TRANSFER

REF.NO.	CODE	Q'TY	DESCRIPTION	REMARK
1-1	UH2787001	1	TRANSFER BASE ASSY (SP)	
1	UH1834001	1	TRANSFER ROLLER ASSY A (SP)	
2	087321016	1	TAPTITE, CUP S M3X10	

MODEL HL-2060 54T-U04-600

8 . CHASSIS



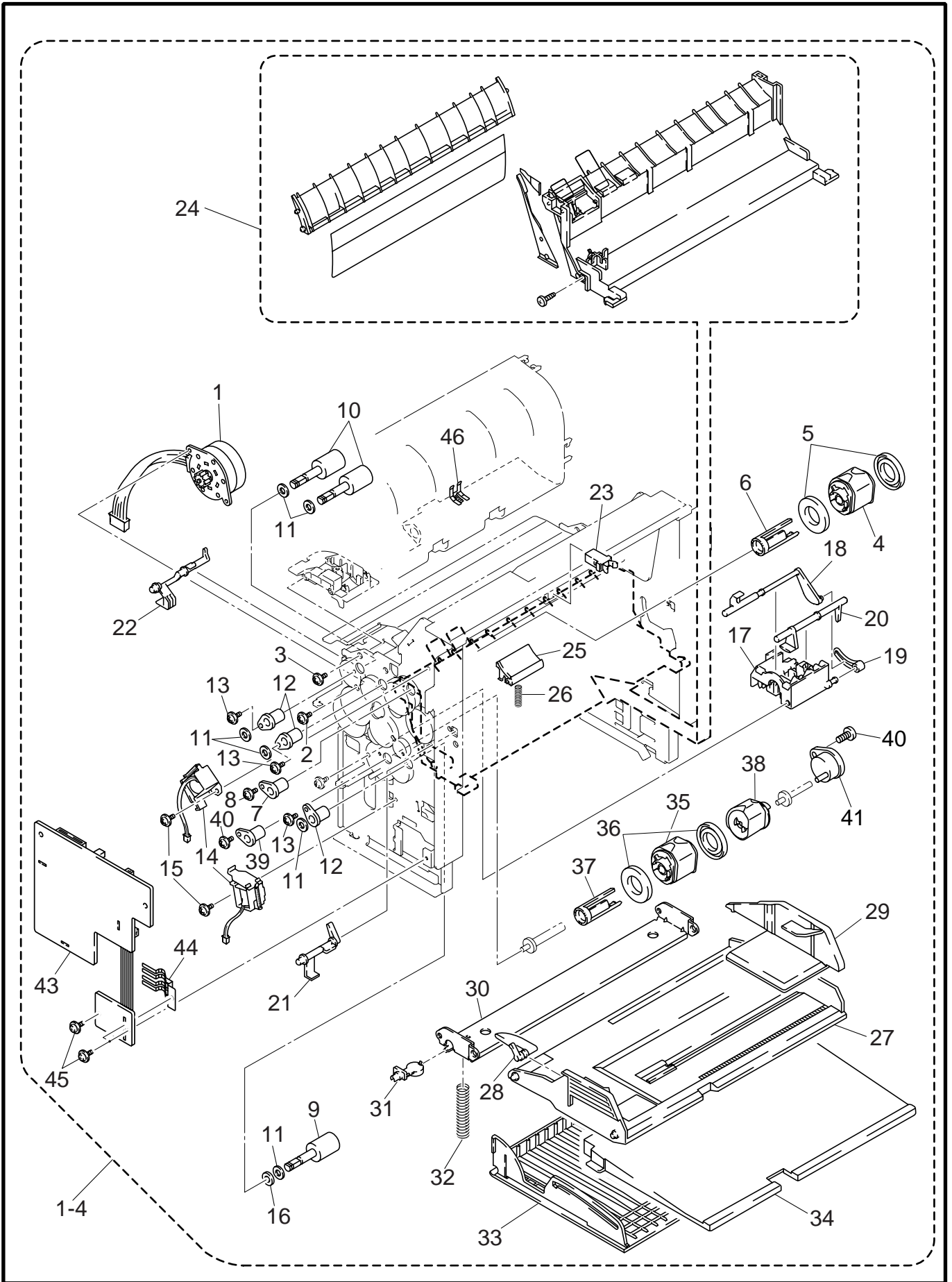
MODEL HL-2060 54T-U04-500

8. CHASSIS

REF.NO.	CODE	Q'TY	DESCRIPTION	REMARK
1	UH1558001	1	LV FAN MOTOR	
2	087323016	2	TAPTITE, CUP S M3X30	
3	T31242001	2	PCB SPACER F	
4	UH2229001	1	CARTRIDGE STOPPER ASSY	
5	UH2233001	1	DC GEAR HOLDER ASSY	
6	UH1833001	1	DC MOTOR ASSY 3 (SP)	
7	087320616	3	TAPTITE, CUP S M3X6	
8	UH2250001	1	PAPER DELIVERY HOLDER SPRING	
9	UH2252000	1	SPACER 2	
10	UH2254000	2	SPACER 1	
11	UH2263001	1	SCANNER FAN MOTOR	
12	083313015	2	TAPTITE, PAN B M3X30	
13	087320616	1	TAPTITE, CUP S M3X6	
14	UH1516001	1	M HOLDER B	
15	UH1515001	1	M HOLDER A	
16	UH1518001	1	M HOLDER D	
17	UH1517001	1	M HOLDER C	
18	060300606	7	TAPTITE, BIND B M3X6	
19	UK3215000	1	CABLE CLAMP	
20	UH1830001	1	CABLE TIE	

MODEL HL-2060 54T-U04-500

9 .PAPER FEEDER



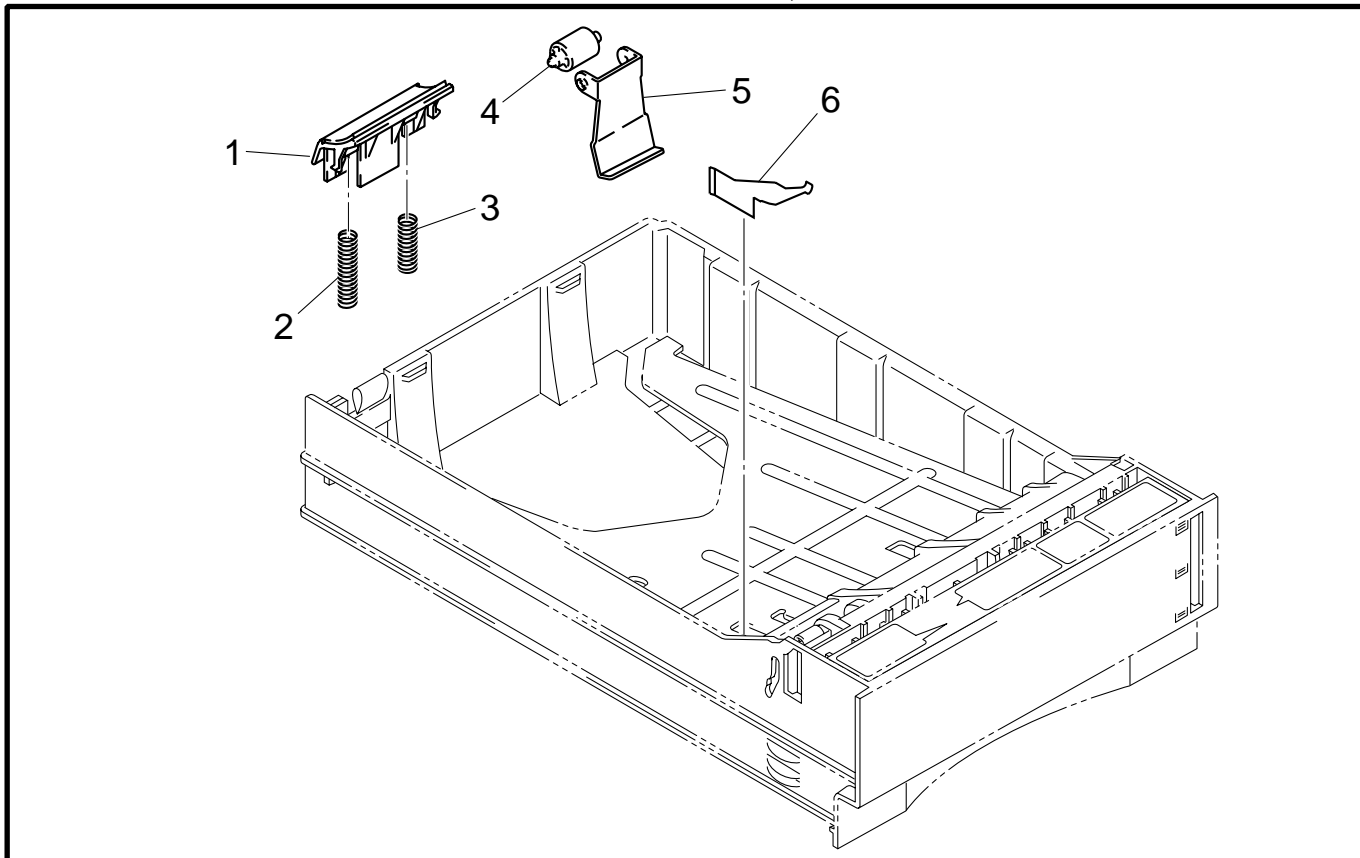
MODEL HL-2060 54T-U04-630

9. PAPER FEEDER

REF.NO.	CODE	Q'TY	DESCRIPTION	SYMBOL	REMARK
1-45	UH1835001	1	PAPER FEED UNIT (SP)		
1	UH1565001	1	PAPER FEED MOTOR ASSY		
2	087320616	2	TAPTITE, CUP S M3X6		
3	085310815	2	TAPTITE, BIND B M3X8		
4	UH2821001	1	PAPER PICK-UP ROLLER ASSY 3		
5	UH1487001	2	PAPER PICK-UP COLLAR LOW		
6	UH1477001	1	COLLAR STOPPER		
7	UH2366000	1	BEARING		
8	085320616	1	TAPTITE, BIND S M3X6		
9	UH1488001	1	PAPER FEED ROLLER ASSY 72		
10	UH1488001	2	PAPER FEED ROLLER ASSY 72		
11	UL0633000	6	WASHER, PLAIN		
12	UH2366000	3	BEARING		
13	085320616	3	TAPTITE, BIND S M3X6		
14	UH2369001	2	PAPER PICK-UP SOLENOID		
15	085320416	2	TAPTITE, BIND S M3X4		
16	UH2428000	1	BEARING CALLOR		
17	UH2379000	1	TRAY SENSOR HOLDER		
18	UH2380000	1	PE SENSOR ACTUATOR TRAY		
19	UH2381000	1	PE ACTUATOR LINK		
20	UH2382000	1	DU DETECTION ACTUATOR		
21	UH2383000	1	PE SENSOR ACTUATOR MP		
22	UH2384000	1	REGIST SENSOR ACTUATOR		
23	UH2136001	1	LATCH		
24	UH1891001	1	MP PAPER FEED UNIT (SP)		
25	UH2393001	1	SEPARATION PAD ASSY		
26	UH2433001	1	SEPARATION PAD SPRING MP		
27	UH2397001	1	MP TRAY ASSY		
28	UH2400000	1	MP PE SUB ACTUATOR		
29	UH2401000	1	MP PAPER GUIDE		
30	UH2402000	1	MP RELEASE PLATE		
31	UH2403000	1	MP RELEASE SUPPORTER		
32	UH2404000	1	MP PUSH UP SPRING		
33	UH2406000	1	MP TRAY COVER		
34	UH2407000	1	MP EXTENSION TRAY		
35	UH2821001	1	PAPER PICK-UP ROLLER ASSY 3		
36	UH1487001	2	PAPER PICK-UP COLLAR LOW		
37	UH1477001	1	COLLAR STOPPER		
38	UH1494001	1	PAPER PICK-UP ROLLER ASSY 5		
39	UH2366000	1	BEARING		
40	085320616	1	TAPTITE, BIND S M3X6		
41	UH1497001	1	BEARING R		
42	085320616	1	TAPTITE, BIND S M3X6		
43	UH1837001	1	PAPER FEED PCB ASSY (SP)	B512011-2	
44	UH2410000	1	SIZE SWITCH SPRING		
45	087320616	2	TAPTITE, CUP S M3X6		
46	UH1898001	1	PAPER FEED EARTH SPRING 1		

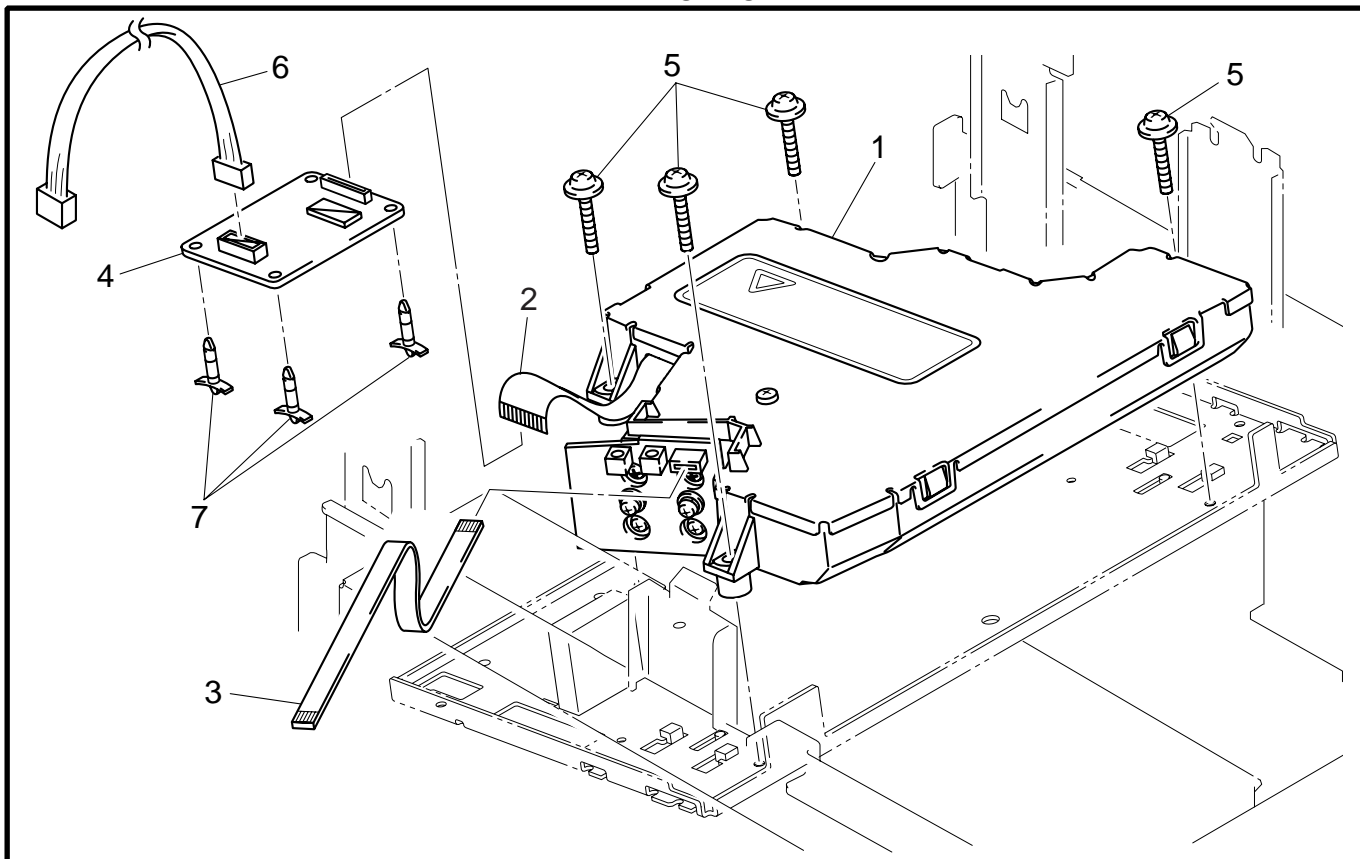
MODEL HL-2060 54T-U04-630

10 . PAPER TRAY A4, LTR/LGL



MODEL HL-2060 54T-U02-650/651

11 . LASER UNIT



MODEL HL-2060 54T-U02-700

10. PAPER TRAY A4, LTR/LGL

REF.NO.	CODE	Q'TY	DESCRIPTION	REMARK
1	UH1500001	1	SEPARATION PAD ASSY W	
2	UH1582001	1	SEPARATION PAD SPRING 100	
3	UH1583001	1	SEPARATION PAD SPRING 50	
4	UH2360000	1	ROLLER	
5	UH2459000	1	ROLLER HOLDER	
6	UH2472001	1	TRAY GUIDE PLATE 1	

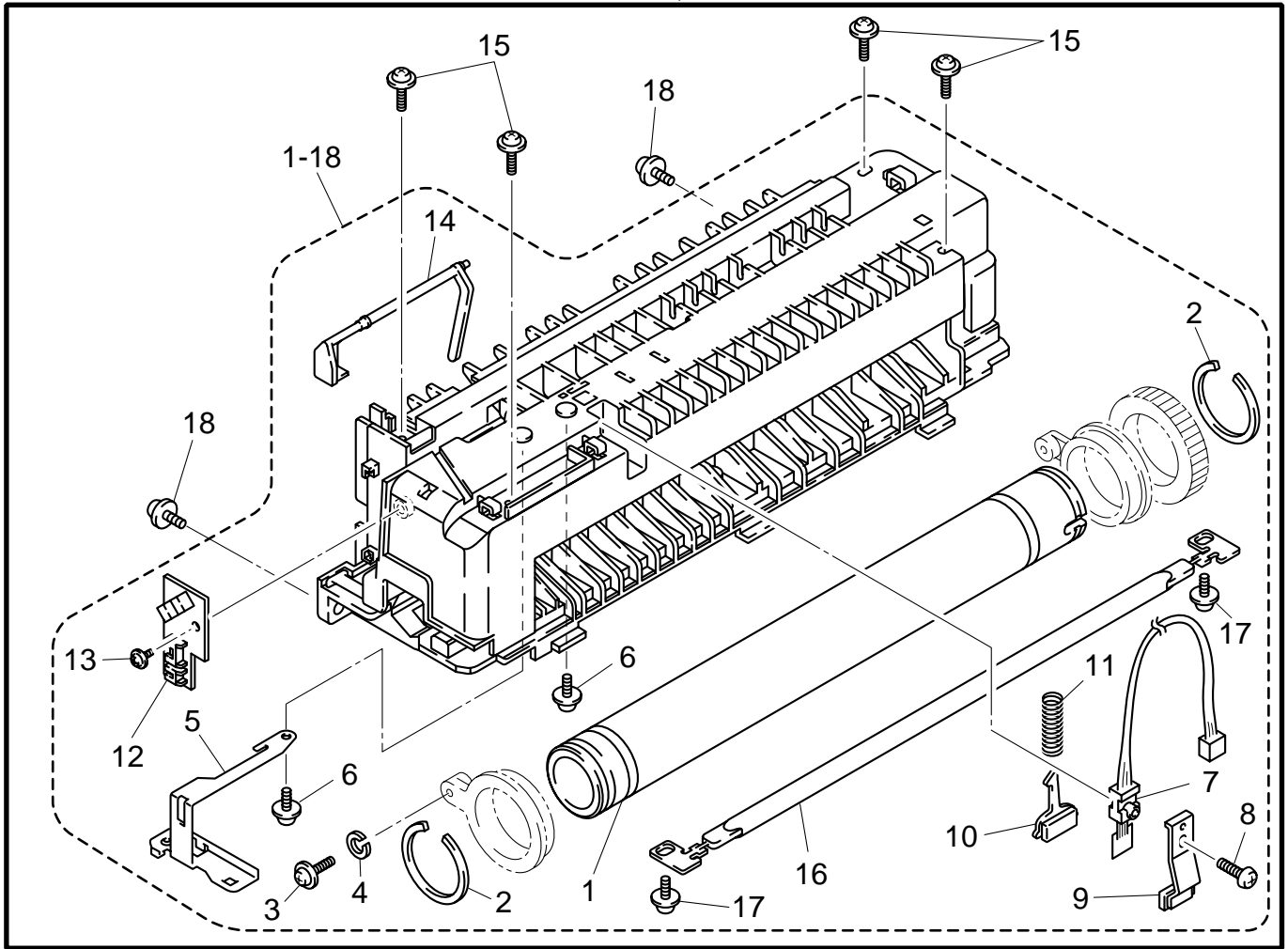
MODEL HL-2060 54T-U04-650/651

11. LASER UNIT

REF.NO.	CODE	Q'TY	DESCRIPTION	SYMBOL	REMARK
1	UH1885001	1	LASER UNIT (SP)		
2	UK3773000	1	LSR FLAT CABLE 14P		
3	UK4158000	1	LSR FLAT CABLE 6P		
4	UH1596001	1	POLYGON CONTROL PCB ASSY		
5	087321616	4	TAPTITE, CUP S M3X16		
6	UK3254001	1	POLYGON HARNESS 5P		
7	UH1597001	3	LOCK SPACER		

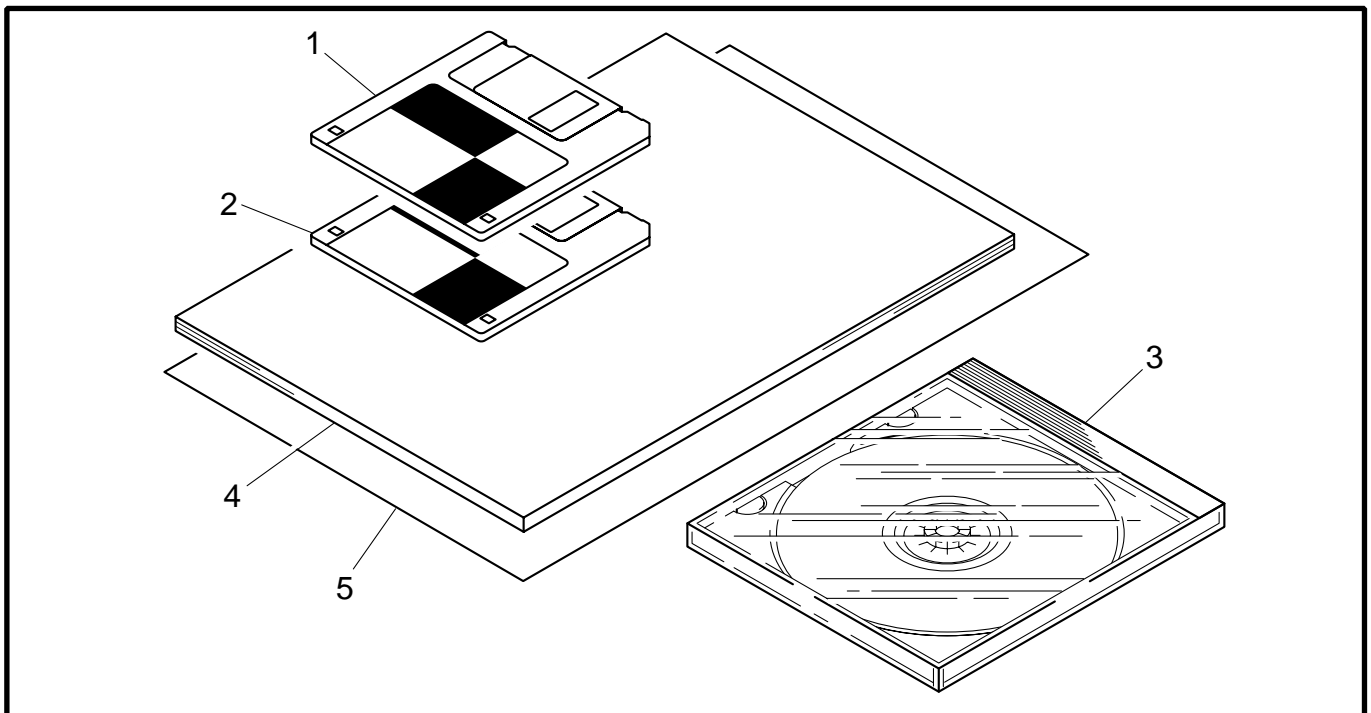
MODEL HL-2060 54T-U04-700

12 . FIXING UNIT, 115V/230V



MODEL HL-2060 54T-U04-770/771

13 . DOCUMENTS



MODEL HL-2060 54T-U04-920

12. FIXING UNIT120V/230V

REF.NO.	CODE	Q'TY	DESCRIPTION	SYMBOL	REMARK
1-18	UH1886001	1	FIXING UNIT 115V (SP)		
1-18	UH1887001	1	FIXING UNIT 230V (SP)		
1	UH1890001	1	HEAT ROLLER 30 (SP)		
2	UH1855001	2	HEAT ROLLER STOP RING		
3	085311015	1	TAPTITE, BIND B M3X10		
4	028030245	1	WASHER, SPRING 2-3		
5	UH1861001	1	AC PLATE		
6	UH2627001	2	SCREW, CUP M3X6		
7	UH1864001	1	THERMISTOR ASSY		
8	087311215	1	TAPTITE, CUP B M3X12		
9	UH1865001	1	CLEANER ASSY 1		
10	UH1868001	1	CLEANER ASSY 2		
11	UH1871001	1	CLEANER SPRING		
12	UK4081001	1	FIXING UNIT PCB ASSY	B512008-2	
13	085311015	1	TAPTITE, BIND B M3X10		
14	UH1874001	1	PAPER EJECT ACTUATOR		
15	087311215	4	TAPTITE, CUP B M3X12		
16	UH1888001	1	HL HEATER 115V ASSY (SP)		
16	UH1889001	1	HL HEATER 230V ASSY (SP)		
17	UH2627001	2	SCREW, CUP M3X6		
18	087421015	2	TAPTITE, CUP S M4X10		

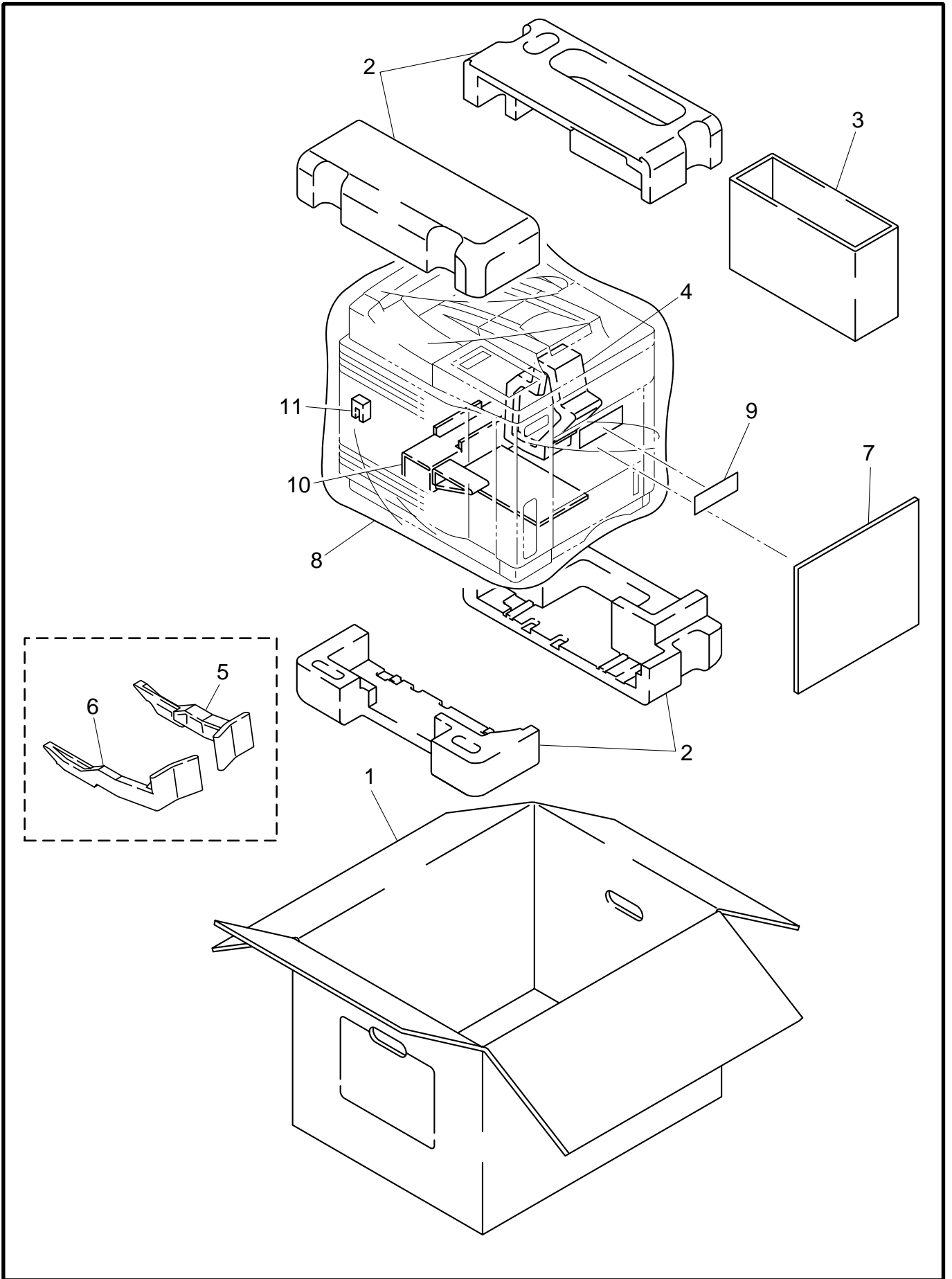
MODEL HL-2060 54T-U04-770/771

13. DOCUMENTS

REF.NO.	CODE	Q'TY	DESCRIPTION	REMARK
1	UK3881001	1	P-DRIVER DISK#1	
2	UK3883001	1	P-DRIVER DISK#2	
3	UK4157001	1	CD-ROM ASSY1	
4	UH3588001	1	USER'S GUIDE ENG	
4	UH3589001	1	USER'S GUIDE GER	
4	UH3590001	1	USER'S GUIDE FRA	
4	UH3591001	1	USER'S GUIDE HOL	
4	UH3592001	1	USER'S GUIDE NOR	
4	UH3593001	1	USER'S GUIDE ITA	
5	UH3594001	1	SETUP GUIDE ENG	
5	UH3595001	1	SETUP GUIDE GER	
5	UH3596001	1	SETUP GUIDE FRA	
5	UH3597001	1	SETUP GUIDE HOL	
5	UH3598001	1	SETUP GUIDE NOR	
5	UH3599001	1	SETUP GUIDE ITA	

MODEL HL-2060 54T-U04-920

14 .PACKING MATERIALS



MODEL HL-2040 54T-U04-930

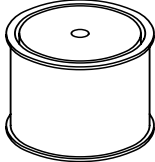
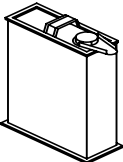
14. PACKING MATERIALS

REF.NO.	CODE	Q'TY	DESCRIPTION	REMARK
1	UE0700000	1	CARTON, HL-2060 US	
1	UE0701000	1	CARTON, HL-2060 EU	
2	UE0702000	1	STYROFOAM, HL-2060	
3	UE0374000	1	CARTON ,TNR CARTRIDGE	
4	UE0707000	1	PLATE HOLDER SF	
5	UH2735001	1	RELEASE SPACER R	
6	UH2736001	1	RELEASE SPACER L	
7	UE0396000	1	PANEL HOLDER PAD D	
8	UE0741000	1	BAG 900X900	
8	UE0742000	1	BAG 900X900 GB	
9	U62092001	1	CAUTION LABEL 24 ,US	
9	163528001	1	SUFFOCATION CAUTION LABEL ,BS	
10	UE0713000	1	LTR HOLD PAD D	
10	UE0714000	1	A4 HOLD PAD D	
11	UE0425001	1	POSITION FIXING SPONGE	

MODEL HS-5000/5300 5U3-101/102-930

15. ADJUSTMENT TOOL KIT

TOOL NO.	TOOL NAME
PRT-001a	Lubricating grease Molykote EM-30L 1kg
PRT-001b	Lubricating grease Molykote EM-D110 1kg
PRT-001e	Lubricating grease KS64F 0.1kg
PRT-002b	Lubricating oil Floil 946P
PRT-002c	Lubricating oil Floil GE334C
PRT-002d	Lubricating oil Synteso Pro AA2

			
PRT-001a,b,e	PRT-002b,c,d		

MODEL HS-5000/5300 5U3-101/102-99A

June, '98
54T046BEO