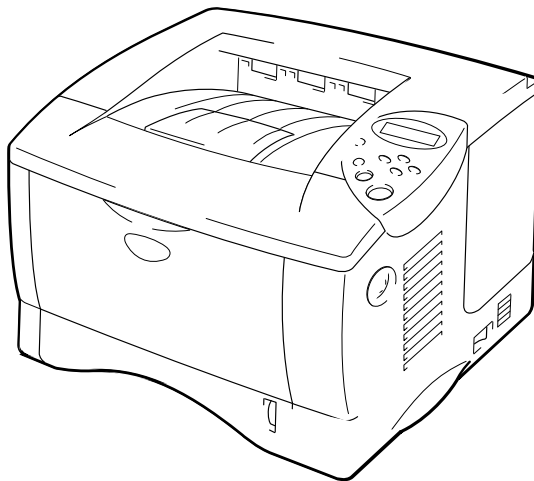




Brother Laser Printer **PARTS REFERENCE LIST**

MODEL: HL-1850/1870N



Read this list thoroughly before maintenance work.

Keep this list in a convenient place for quick and easy reference at all times.

NOTE FOR USING THIS PARTS REFERENCE LIST

1. In the case of ordering parts, it needs mentioning the following items:

- (1) Code
- (2) Q'ty
- (3) Description
- (4) Symbol (PCB No., Revision , and Parts location mounted on the PCB.)

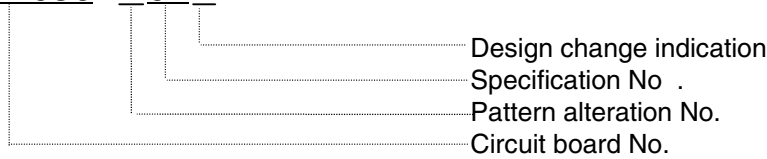
Note : No orders without Parts Code or Tool No. can be accepted.

< Example >

REF.NO.	CODE	Q'TY	DESCRIPTION	SYMBOL	REMARK

Revision No.: marked on the **main printed circuit board**.

B48K056 - 201A



Revision No.: marked on the **power supply printed circuit board**.

Rev. A



2. Design-changed parts :

If the parts are changed, any one of the following symbols is indicated in the REMARKS column.

- #A : Compatible between old and new
- #B : Replaceable from old to new
- #D : Incompatible
- # : Newly established

3. The original of this list was made based on the information available in January 2001.

4. Parts are subject to change in design without prior notice.

CONTENTS

1.	<u>FRAME / DRIVE UNIT</u>	1
2.	<u>LASER UNIT</u>	1
3.	<u>PAPER FEEDER / MP UNIT</u>	3
4.	<u>DUPLEX</u>	5
5.	<u>PAPER CASSETTE</u>	7
6.	<u>FIXING UNIT</u>	9
7.	<u>COVERS</u>	11
8.	<u>MAIN PCB</u>	13
9.	<u>ENGINE PCB</u>	15
10.	<u>LOW-VOLTAGE POWER SUPPLY PCB</u>	15
11.	<u>HIGH-VOLTAGE POWER SUPPLY PCB</u>	17
12.	<u>AC CORDS</u>	17
13.	<u>ACCESSORIES</u>	19
14.	<u>PACKING MATERIALS</u>	21
15.	<u>NETWORK BOARD</u>	21
16.	<u>PERIODICAL MAINTENANCE PARTS</u>	23

1. FRAME / DRIVE UNIT

REF.NO.	CODE	Q'TY	DESCRIPTION	SYMBOL	REMARK
1	LJ5980001	1	MAIN MOTOR ASSY HE		
2	LJ5969001	1	FEED SOLENOID ASSY HE		
3	LJ5973001	1	SOLENOID ASSY 04C4		
4	LJ5976001	1	SOLENOID ASSY 04C5		
5	LJ5208001	2	LOCK LEVER SPRING		
6	LJ5307001	1	TONER LED PCB UNIT (EMISSION)		
7	LJ8357001	1	SOL RELAY PCB ASSY		
8	LJ5088001	1	REVERSING SWITCH SOLENOID		
9	LJ5015001	1	T-BELT B40S2M142		
10	LJ5100001	1	TONER SENSOR PCB UNIT (RECEPTION)		
11	UL8507001	4	RUBBER FOOT		
12	LJ5925001	1	GEAR 21H		
13	UL9069001	2	CONDUCTOR BUSH 5		
14	LJ5533001	1	CONDUCTOR BUSH H		
15	LJ5117001	1	FAN MOTOR 60		
16	LJ8363001	1	DX SENSOR PCB ASSY		
17	LJ8724001	3	TAPE 60X12		
18	LE1169001	1	USB GROUND PLATE		
19	087320615	11	SCREW, CUP S TITE 3X6		
20	085411015	3	TAPTITE, BIND B M4X10		
21	000300415	1	SCREW, BIND M3X4		
22	085310815	1	TAPTITE, BIND B M3X8		
23	LJ5966001	1	FUSER DRIVE GEAR 1HE		
24	LJ5967001	1	FUSER DRIVE GEAR 2HE		
25	LJ5930001	1	FEED ROLLER GEAR SHAFT		

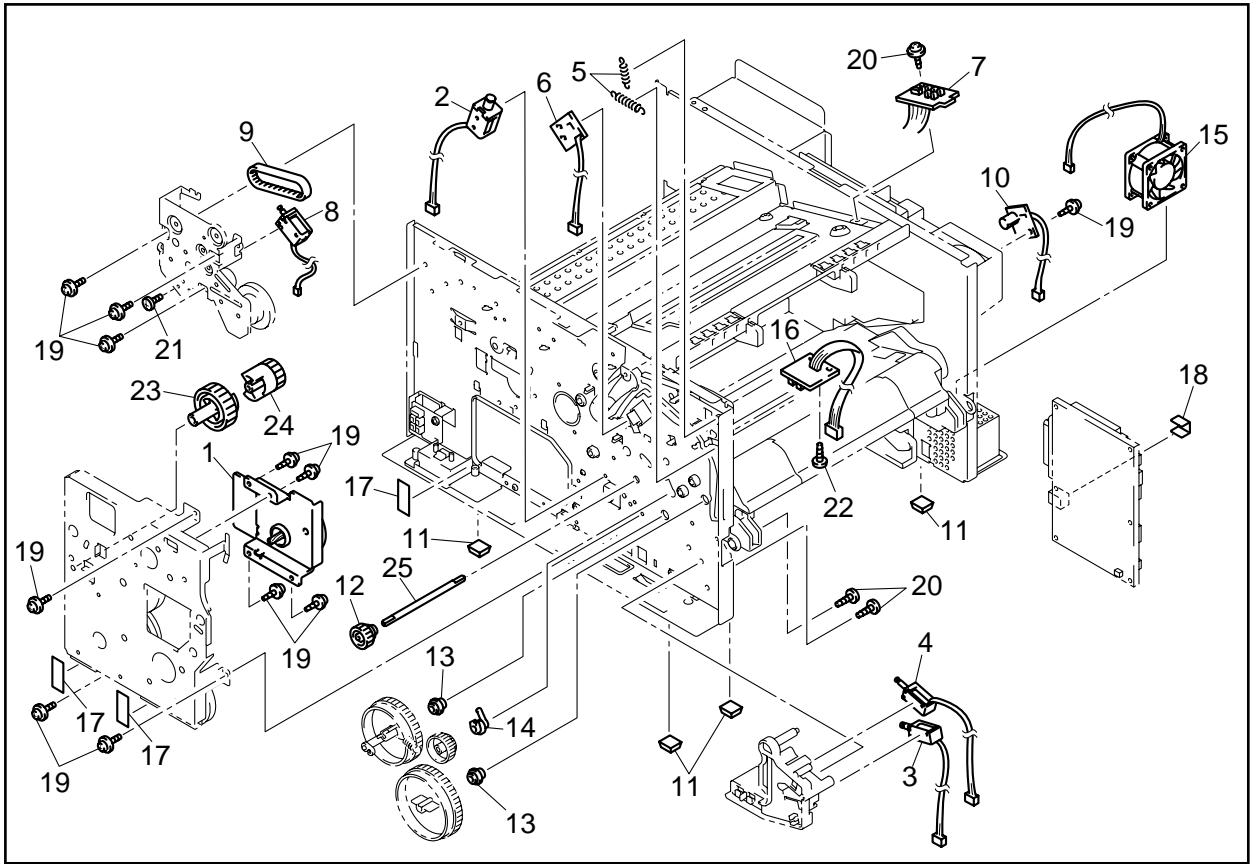
MODEL HL-1850/1870N 84U-Z23/Z24-010

2. LASER UNIT

REF.NO.	CODE	Q'TY	DESCRIPTION	SYMBOL	REMARK
1	LJ7004001	1	LASER UNIT (SP)		
2	087321615	3	TAPTITE, CUP S M3X16		

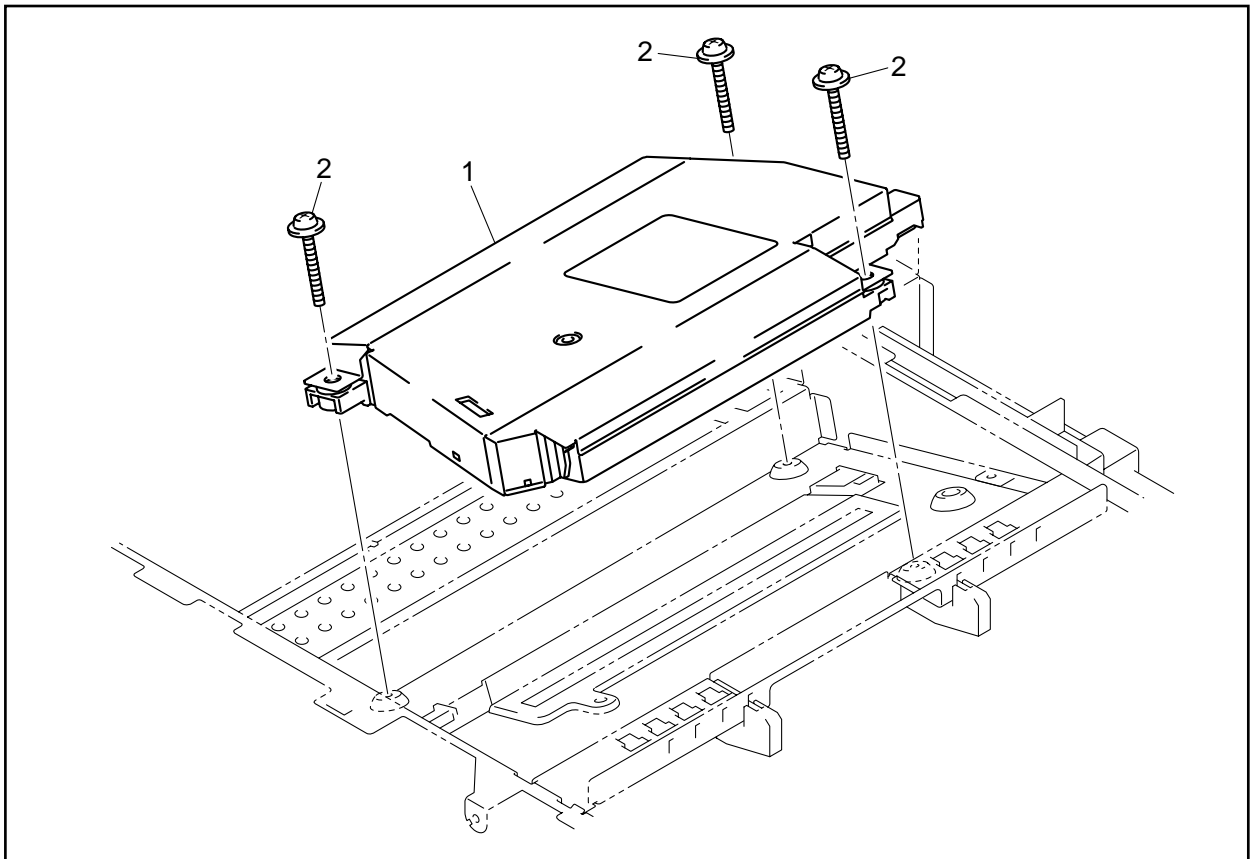
MODEL HL-1850/1870N 84U-Z23/Z24-020

1. FRAME / DRIVE UNIT



MODEL HL-1850/1870N 84U-Z23/Z24-010

2. LASER UNIT



MODEL HL-1850/1870N 84U-Z23/Z24-020

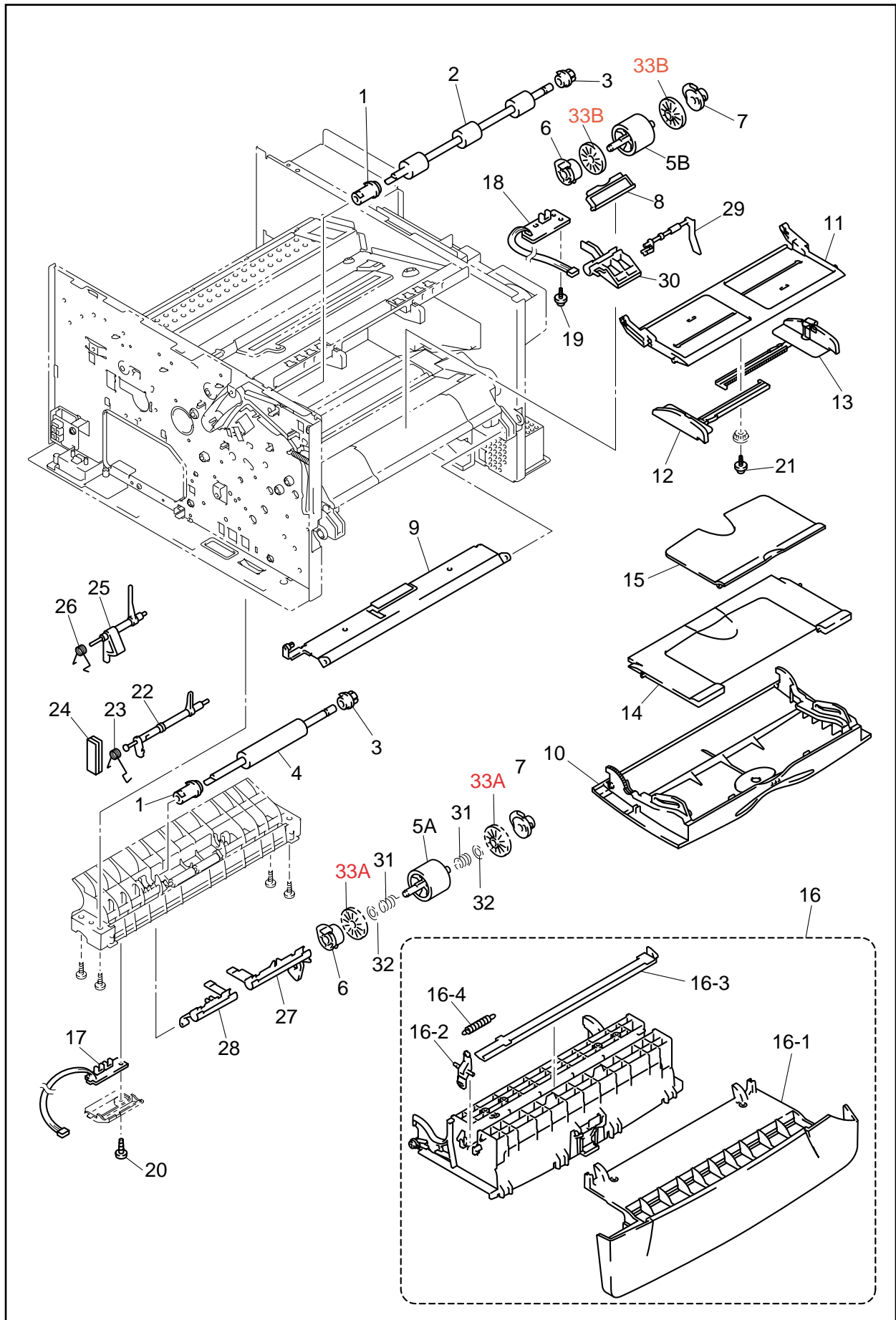
3. PAPER FEEDER / MP UNIT

PR2002067

REF.NO.	CODE	Q'TY	DESCRIPTION	REMARK
1	UL9059001	2	JOINT 5	
2	UL9060001	1	FEED ROLLER ASSY	
3	UL9062001	2	BUSH 5	
4	LJ5146001	1	FIRST FEED ROLLER ASSY	
5A	LJ5016001	1	PAPER PICK-UP ROLLER ASSY *1	*1 A component part of the PAPER FEEDING KIT. Refer to "16. PERIODICAL MAINTENANCE PARTS".
5B	LJ5016001	1	PAPER PICK-UP ROLLER ASSY	
6	LJ5020001	2	BUSH L	
7	LJ5021001	2	BUSH R	
8	LJ5184001	1	SEPARATION PLATE ASSY	
9	LJ5188001	1	MP PRESSURE PLATE ASSY	
10	LJ5197001	1	MP COVER	
11	LJ5199001	1	MP PAPER GUIDE 1	
12	LJ5200001	1	MP SIDE GUIDE L	
13	LJ5201001	1	MP SIDE GUIDE R	
14	LJ5203001	1	MP PAPER GUIDE 2	
15	LJ5204001	1	MP PAPER GUIDE 3	
16	LJ5013001	1	PROCESS UNIT COVER ASSY	
16-1	LJ5205001	1	PROCESS UNIT COVER	
16-2	LJ5206001	1	P COVER LOCK LEVER L	
16-3	LJ5207001	1	P COVER LOCK LEVER R	
16-4	LJ5208001	1	LOCK LEVER SPRING	
17	LJ8365001	1	CASSETTE SENSOR PCB ASSY	
18	LJ8367001	1	MP SENSOR PCB ASSY	
19	087310815	1	TAPTITE, CUP B M3X8	
20	085311015	1	SCREW, BIND B TITE 3X10	
21	087310615	1	TAPTITE, CUP B M3X6	
22	LJ5131001	1	RESIST FRONT ACTUATOR	
23	LJ5132001	1	RESIST FRONT ACTUATOR SPRING	
24	LJ5626001	1	STOPPER H	
25	LJ5133001	1	RESIST REAR ACTUATOR	
26	LJ5134001	1	RESIST REAR ACTUATOR SPRING	
27	LJ7073001	1	PE ACTUATOR H	
28	LJ5155001	1	CA ACTUATOR	
29	LJ5162001	1	MP-PE SENSOR ACTUATOR 1	
30	LJ5163001	1	MP-PE SENSOR ACTUATOR 2	
31	LJ5915001	2	ROLLER COLLAR SPRING	
32	LJ5916001	2	ROLLER COLLAR WASHER	
33 A	LJ5150001	2	ROLLER COLLAR	
33 B	LJ5150001	2	ROLLER COLLAR	

MODEL HL-1850/1870N 84U-Z23/Z24-010

T/I NO. PR2002067



MODEL HL-1850/1870N 84U-Z23/Z24-041

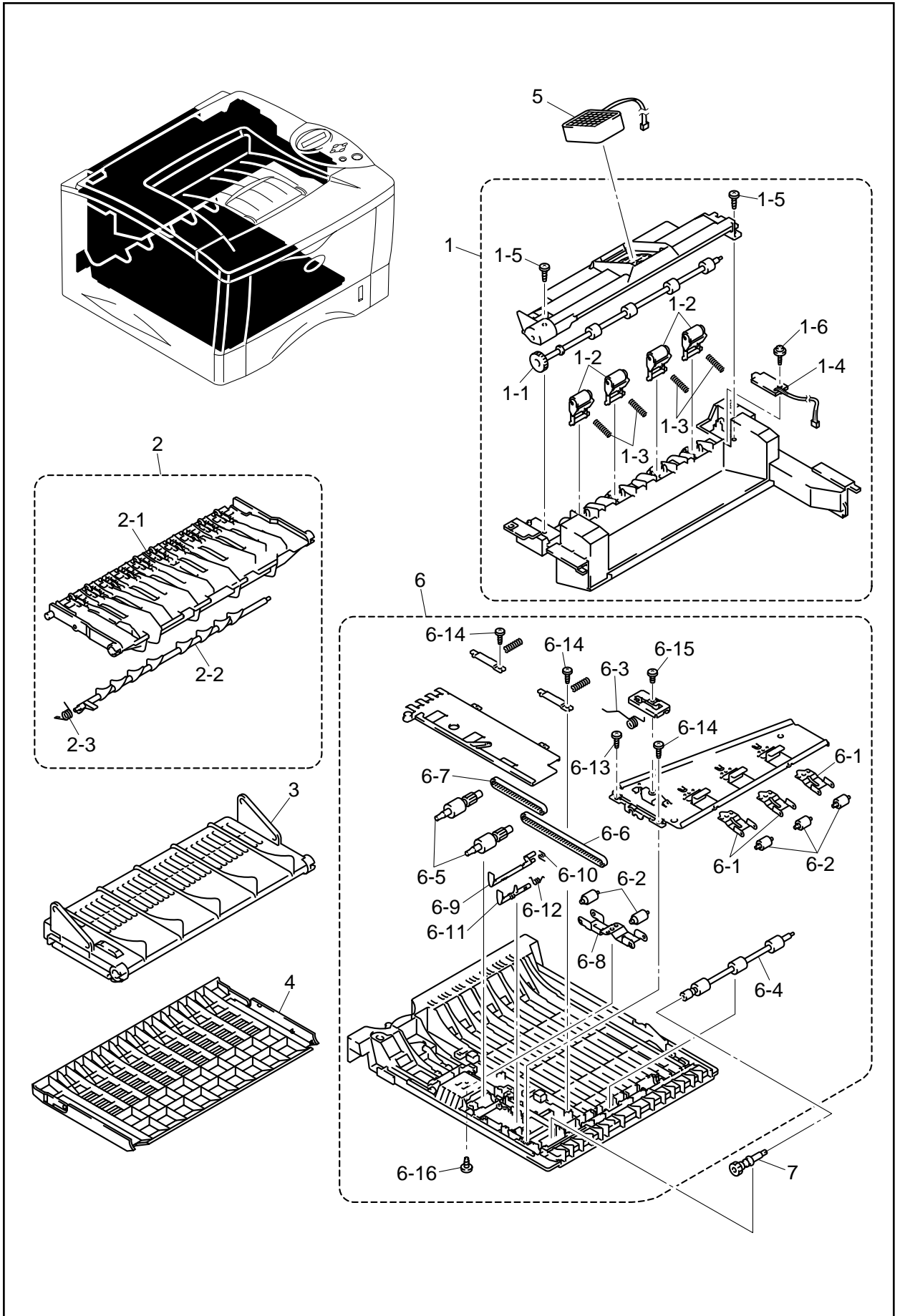
T/I NO. PR2002067

4. DUPLEX

REF.NO.	CODE	Q'TY	DESCRIPTION	REMARK
1	LJ5216001	1	EXIT ROLLER UNIT	
1-1	LJ5220001	1	EXIT ROLLER ASSY ZLH	
1-2	UL9122001	4	PINCH ROLLER ASSY	
1-3	UL9125001	4	PINCH ROLLER SPRING	
1-4	LJ8364001	1	REAR COVER SENSOR PCB ASSY	
1-5	085411015	2	TAPTITE, BIND B M4X10	
1-6	087310815	1	TAPTITE, CUP B M3X8	
2	LJ5222001	1	DX OUTER CHUTE ASSY	
2-1	LJ5223001	1	DX OUTER CHUTE	
2-2	LJ5224001	1	FRAP 2	
2-3	LJ5225001	1	FRAP 2 SPRING	
3	LJ5226001	1	DX REAR CHUTE	
4	LJ5227001	1	REAR COVER C	
5	LJ5990001	1	FAN MOTOR 60 B UNIT	
6	LJ7091001	1	DX FEED ASSY HE	
6-1	LJ7092001	3	ROLLER HOLDER HE	
6-2	UH2360000	5	PRESSURE ROLLER	
6-3	LJ5233001	1	GROUND WIRE	
6-4	LJ5235001	1	DX FEED ROLLER ASSY	
6-5	LJ5238001	2	SIDE REGIST ROLLER	
6-6	LJ5015001	1	T-BELT B40S2M142	
6-7	LJ5240001	1	T-BELT B40S2M224	
6-8	LJ5241001	1	SIDE REGIST ROLLER HOLDER	
6-9	LJ5248001	1	GUIDE ACTUATOR	
6-10	LJ5249001	1	GUIDE ACTUATOR SPRING	
6-11	LJ5250001	1	DX PAPER ACTUATOR	
6-12	LJ5251001	1	PAPER ACTUATOR SPRING	
6-13	LJ5616001	1	SHOULDER TAPTITE, BIND B 3X7.5A	
6-14	085310815	3	TAPTITE, BIND B M3X8	
6-15	060300415	1	SCREW, BIND M3X4	
6-16	085310515	1	TAPTITE, BIND M3X5	
7	LJ5237001	1	DRIVE GEAR 14	

MODEL HL-1850/1870N 84U-Z23/Z24-042

4. DUPLEX



MODEL HL-1850/1870N 84U-Z23/Z24-042

5. PAPER CASSETTE

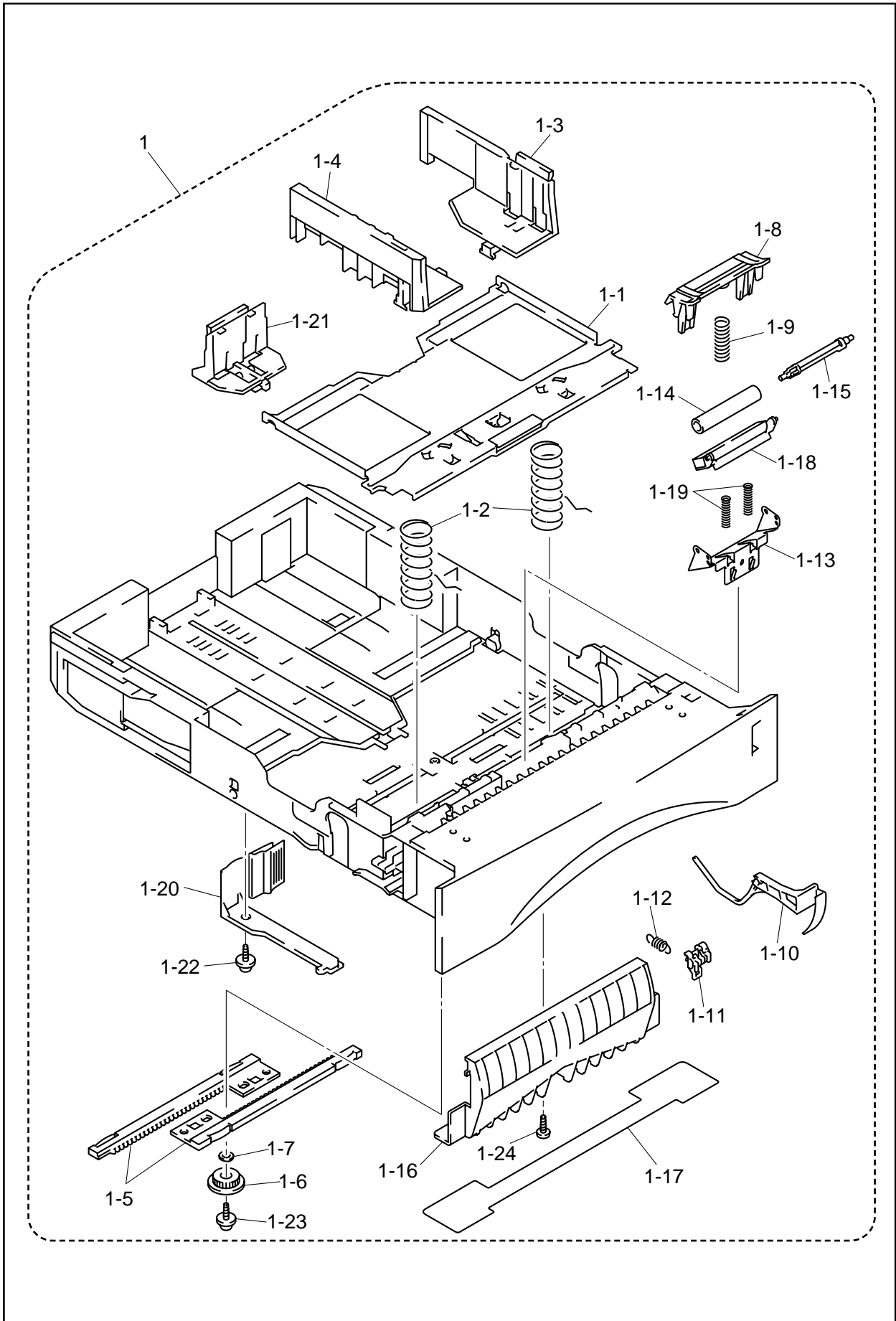
PR2002029

REF.NO.	CODE	Q'TY	DESCRIPTION	REMARK
1	LJ7090001	1	PAPER TRAY ASSY HE BRO	CHNG
1-1	LJ4537001	1	PRESSURE PLATE ASSY LGL	
1-2	UL9077001	2	PERSSURE PLATE SPRING	
1-3	UL9078001	1	SIDE GUIDE L	
1-4	UL9079001	1	SIDE GUIDE R	
1-5	UL9080001	2	SIDE GUIDE RACK	
1-6	UL9081001	1	SIDE GUIDE GEAR	
1-7	UL9082001	1	FRICTION SPRING	
1-8	LJ5919001	1	PAD HOLDER ZLH ASSY JPN *2	*2 A component part of the PAPER FEEDING KIT. Refer to "16. PERIODICAL MAINTENANCE PARTS".
1-9	LJ5923001	1	SEPARATION PAD SPRING 350	
1-10	LJ5259001	1	PAPER INDICATOR	
1-11	UL9092001	1	LOCK LEVER	
1-12	UL9095001	1	HELICAL EXTENSION SPRING	
1-13	LJ4196001	1	PRESSURE ROLLER HOLDER	
1-14	LJ5260001	1	PRESSURE ROLLER COLLAR	
1-15	LJ5261001	1	PRESSURE ROLLER SHAFT	
1-16	LJ4197001	1	PAPER TRAY COVER	
1-17	LJ4272001	1	TRAY COVER FILM	
1-18	LJ4221001	1	SCRATCH SPONGE HOLDER ASSY	
1-19	LJ4200001	2	SCRATCH SPONGE SPRING	
1-20	LJ5011001	1	TRAY LOCK LEVER	
1-21	UL9083001	1	PAPER REAR GUIDE	
1-22	UU0231001	1	TAPTITE, PAN B M3X8	
1-23	087310815	1	TAPTITE, CUP B M3X8	
1-24	UF8709001	1	TAPTITE, TORX PAN B M3X8	

MODEL HL-1850/1870N 84U-Z23/Z24-045

T/I NO .PR2002029

5. PAPER CASSETTE



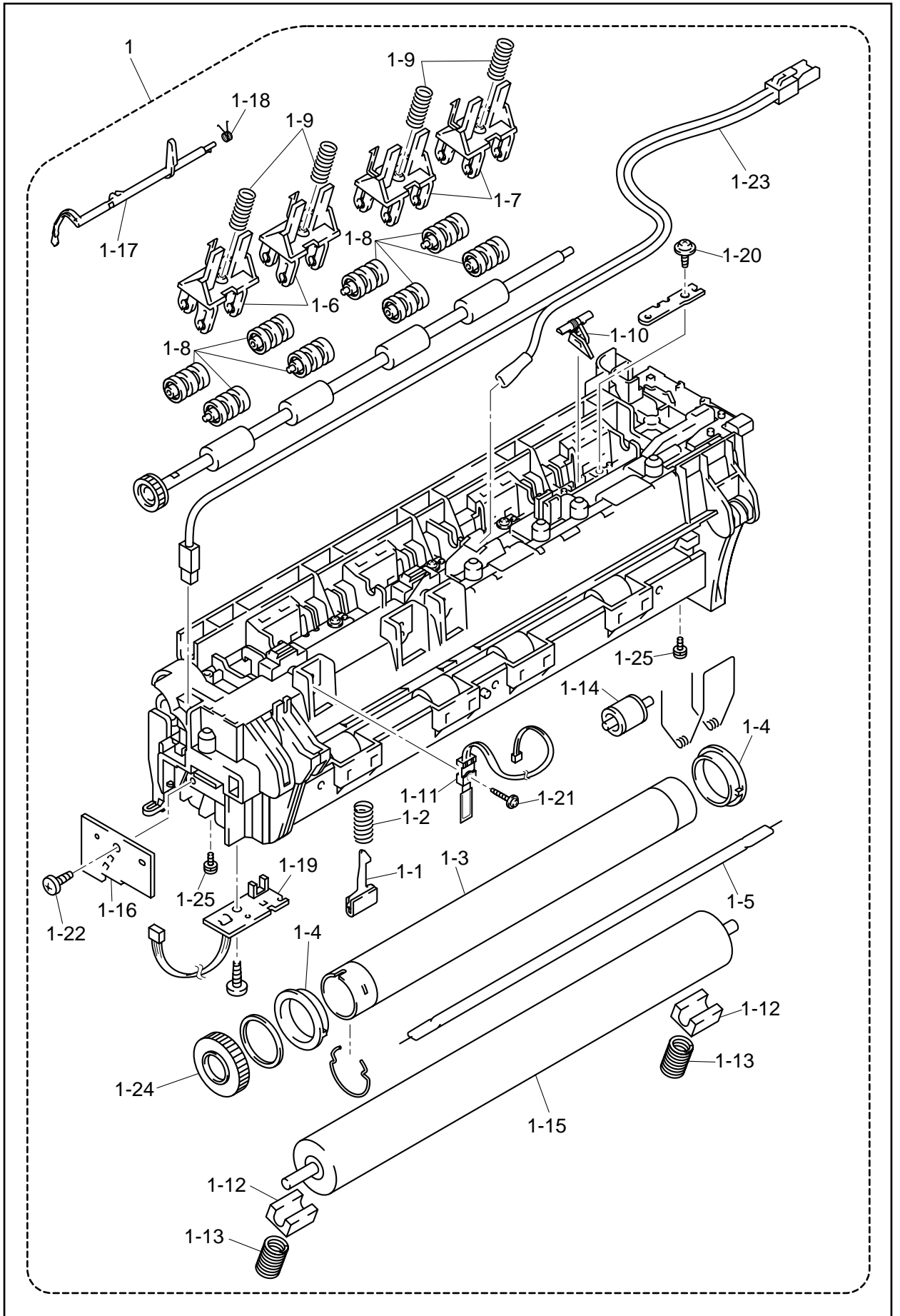
MODEL HL-1850/1870N 84U-Z23/Z24-046

6. FIXING UNIT

REF.NO	CODE	Q'TY	DESCRIPTION	REMARK
1	LJ7005001	1	FIXING UNIT, 115V (SP)	
1	LJ7006001	1	FIXING UNIT, 230V (SP)	
1-3	LJ5937001	1	HEAT ROLLER 25 HE	
1-4	UL8908001	2	HR BEARING 25	
1-5	LJ5939001	1	HALOGEN LAMP, 115V HE	
1-5	LJ5944001	1	HALOGEN LAMP, 230V HE	
1-6	LJ5276001	2	EJECT PINCH ROLLER HOLDER L	
1-7	LJ5277001	2	EJECT PINCH ROLLER HOLDER R	
1-8	LJ5540001	8	EJECT PINCH ROLLER F	
1-9	LJ5279001	4	EJECT PINCH SPRING	
1-10	LJ5280001	4	PICK OFF FINGER ASSY 2	
1-11	LJ5942001	1	THERMISTOR ASSY HE	
1-12	UL8916001	2	PR BUSH	
1-13	LJ5984001	2	PR SPRING HE	
1-14	LJ5268001	5	CLEANER PINCH ROLLER ASSY	
1-15	LJ5287001	1	PRESSURE ROLLER 25	
1-16	LJ8949001	1	THERMISTOR RELAY PCB ASSY	
1-17	LJ5289001	1	PAPER EJECT ACTUATOR	
1-18	LJ5066001	1	EJECT ACTUATOR SPRING	
1-19	LJ8366001	1	EJECT SENSOR PCB ASSY	
1-20	087310615	1	TAPTITE, CUP B M3X6	
1-21	087311215	1	TAPTITE, CUP B M3X12	
1-22	085311015	1	SCREW, BIND B TITE 3X10	
1-23	LJ8405001	1	HEATER HARNESS ASSY	
1-24	LJ5938001	1	HR GEAR 34 HE	
1-25	LJ5941001	2	SCREW, PAN (WASHER) M2.6X6	

MODEL HL-1850/1870N 84U-Z23/Z24-050

6. FIXING UNIT



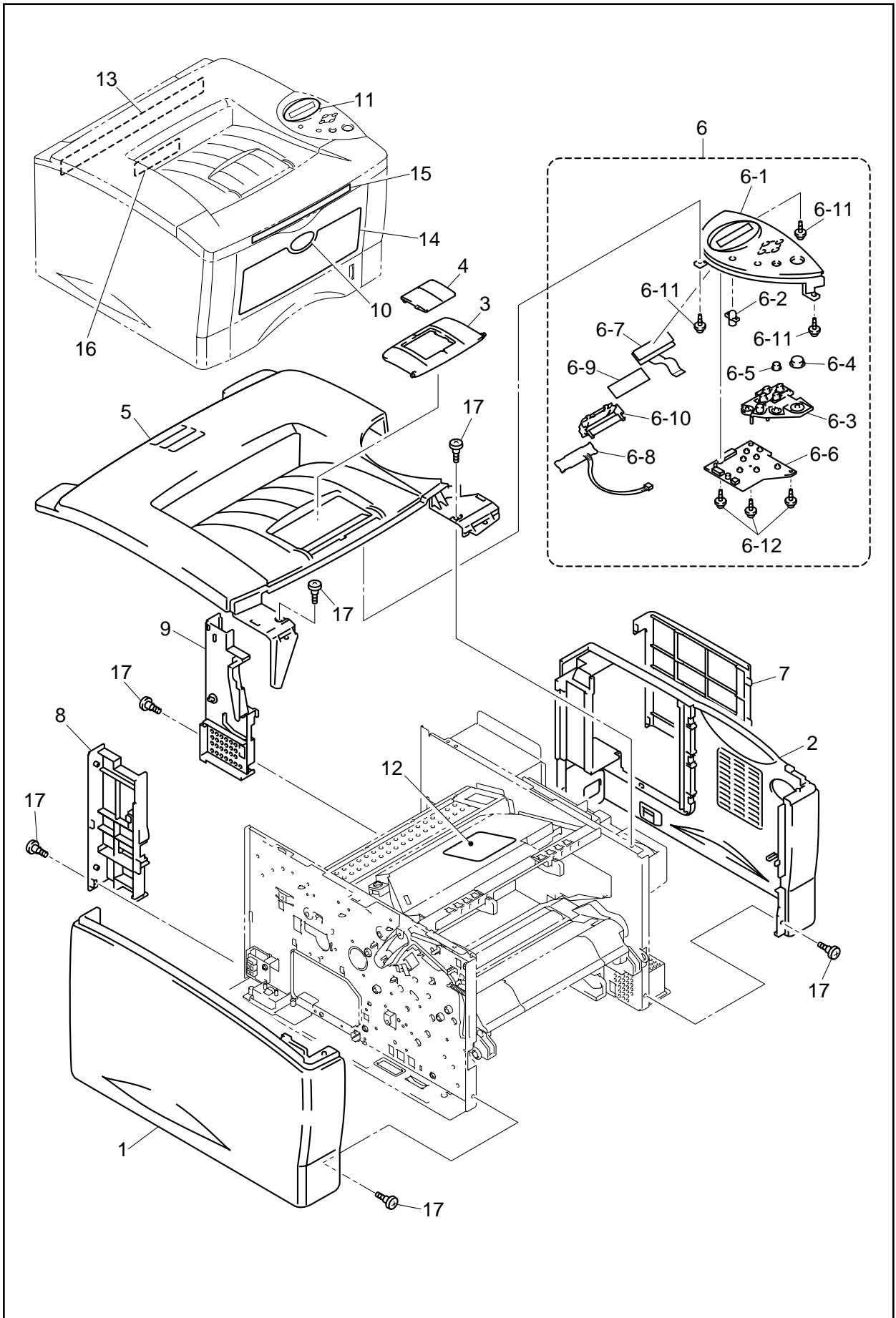
MODEL HL-1850/1870N 84U-Z23/Z24-050/051

7. COVERS

REF.NO.	CODE	Q'TY	DESCRIPTION	REMARK
1	LJ5004001	1	SIDE COVER R	
2	LJ5630001	1	SIDE COVER L ASSY	
3	LJ5291001	1	PAPER STOPPER	
4	LJ5599001	1	PAPER STOPPER S	
5	LJ5293001	1	TOP COVER	
6	LJ5294001	1	PANEL COVER ASSY	
6-1	LJ5295001	1	PANEL COVER	
6-2	LJ5296001	1	PANEL LIGHT GUIDE	
6-3	LJ5297001	1	KEY	
6-4	LJ5298001	1	KEY TOP A	
6-5	LJ5299001	1	KEY TOP B	
6-6	LJ8361001	1	PANEL PCB ASSY	
6-7	LJ5301001	1	LCDLMG161S6-TPT	
6-8	LJ8362001	1	BACK LIGHT PCB ASSY	
6-9	LJ5073001	1	DIFFUSION FILM	
6-10	LJ5302001	1	LCD HOLDER	
6-11	087310815	3	TAPTITE, CUP B M3X8	
6-12	087311015	3	TAPTITE, CUP B M3X10	
7	LJ5006001	1	ACCESS COVER	
8	LJ5007001	1	REAR COVER R	
9	LJ5008001	1	REAR COVER L	
10	LJ5030001	1	BROTHER EMBLEM	
11	LJ5955001	1	PRINTED LCD COVER ASSY 1850	
11	LJ5995001	1	PRINTED LCD COVER ASSY 1870N	
12	LJ5579001	1	LASER CAUTION LABEL H	
13	LJ5933001	1	HEATER CAUTION LABEL REAR	
14	LJ5898001	1	MYLAR LABEL 1850 FRONT	
16	UH0905001	1	PATENT LABEL (US)	
16	LJ4421001	1	MARKING LABEL N/S (Norway/Sweden)	
16	LJ4541001	1	HOT LINE LABEL (Swiss)	
16	UH3297001	1	C-TICK MARK (Australia)	
17	UF9823001	6	SHOULDER SCREW	

MODEL HL-1850/1870N 84U-Z23/Z24-060

7. COVERS



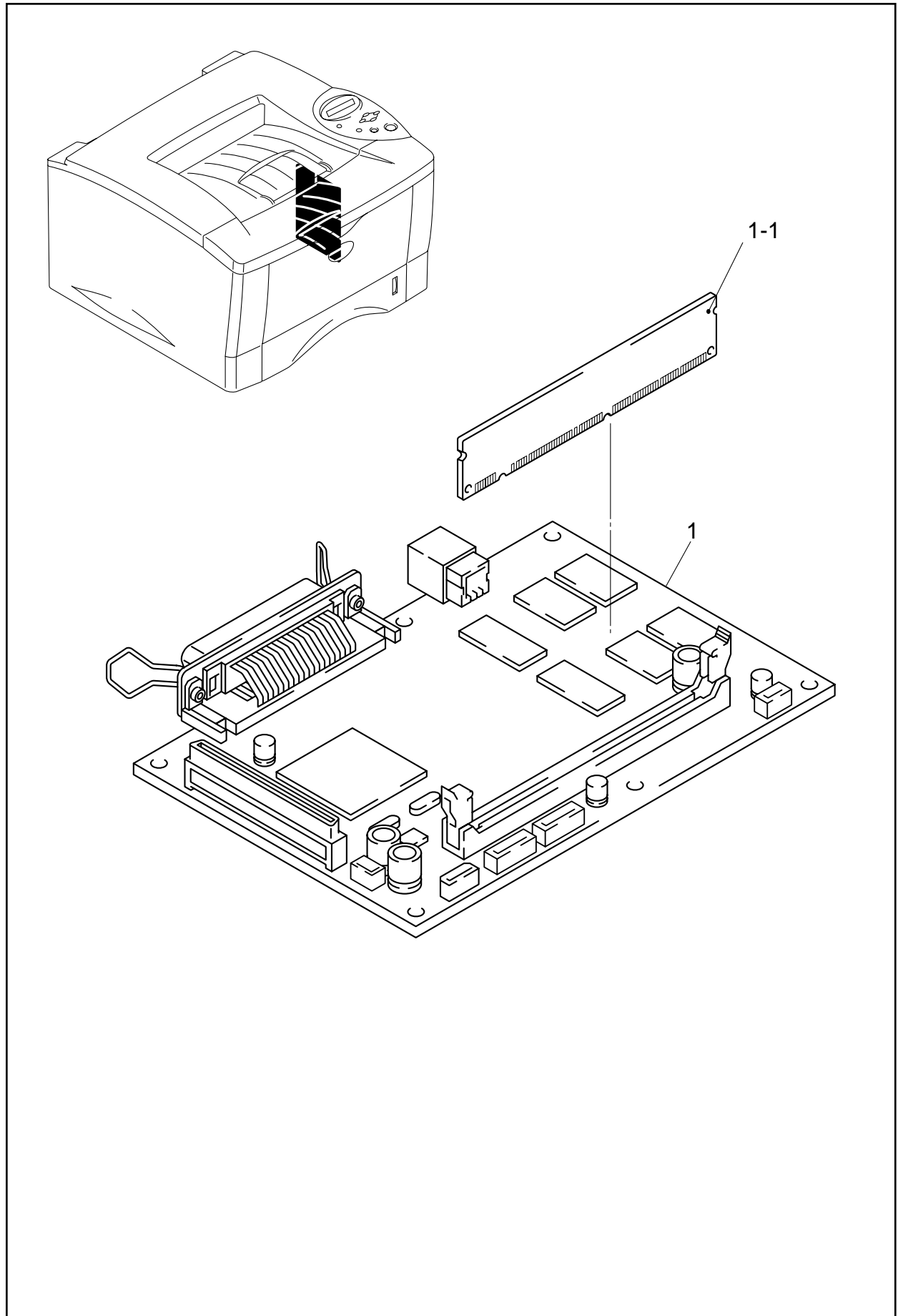
MODEL HL-1850/1870N 84U-Z23/Z24-061

8. MAIN PCB

REF.NO.	CODE	Q'TY	DESCRIPTION	SYMBOL	REMARK
1	LJ8944001	1	MAIN PCB ASSY 1850 / 1870N	B512078-460	
1-1	LJ8905001	1	DIMM 16M		

MODEL HL-1850/1870N 84U-Z23/Z24-010

8. MAIN PCB



MODEL HL-1850/1870N 84U-Z23/Z24-101

9. ENGINE PCB

REF.NO.	CODE	Q'TY	DESCRIPTION	SYMBOL	REMARK
1	LJ8947001	1	ENGINE PCB ASSY 1850 / 1870N	B512079-211	

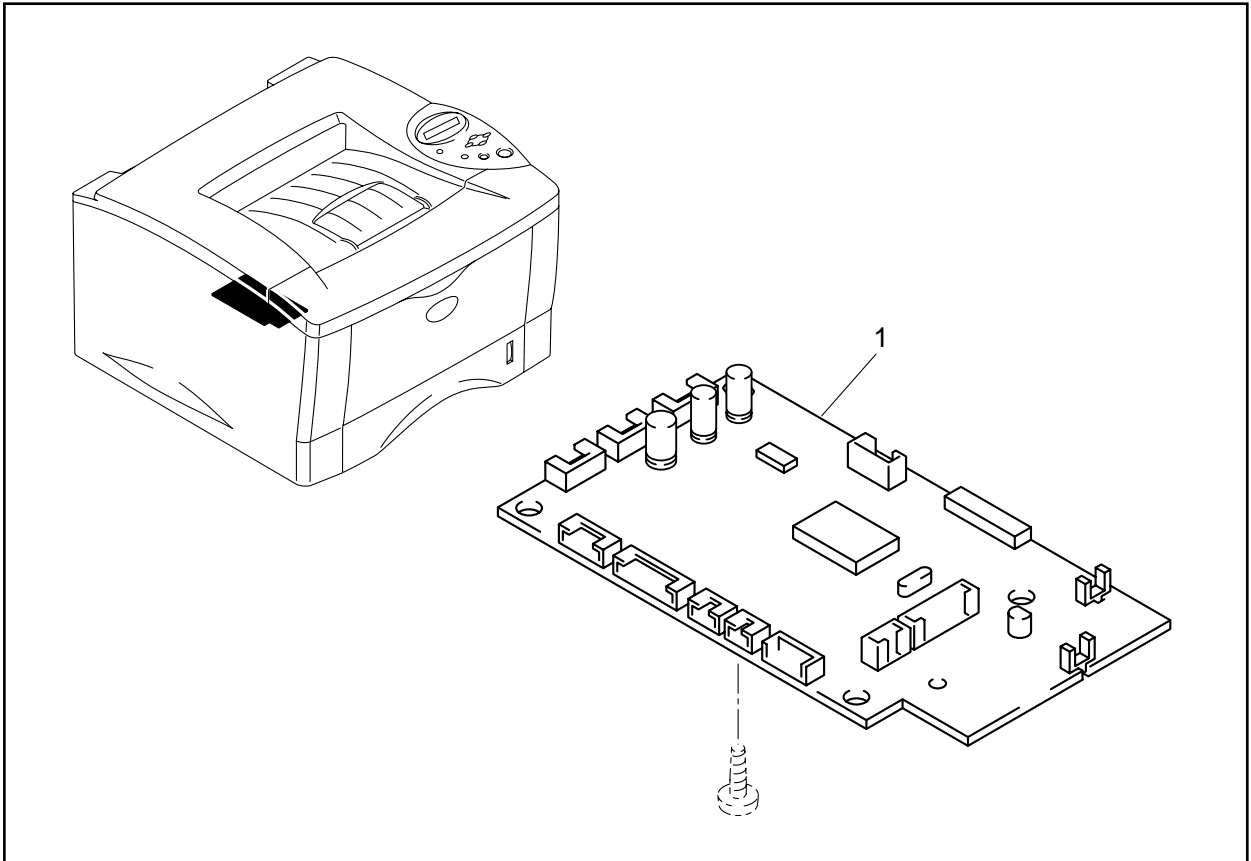
MODEL HL-1850/1870N 84U-Z23/Z24-051

10. LOW-VOLTAGE POWER SUPPLY PCB

REF.NO.	CODE	Q'TY	DESCRIPTION	REMARK
1	LJ8388001	1	PS PCB ASSY ZLH, 115V	
1	LJ8389001	1	PS PCB ASSY ZLH, 230V	
2	LJ8424001	1	POWER SWITCH RIGHT ANGLE	
3	LJ8391001	1	INLET HARNESS ASSY, 115V	
4	LJ8723001	2	TAPE 50X40	
5	087320615	3	SCREW, CUP S TITE 3X6	
6	0A5350606	1	SCREW, PAN M3.5X6 (S/P WASHER)	

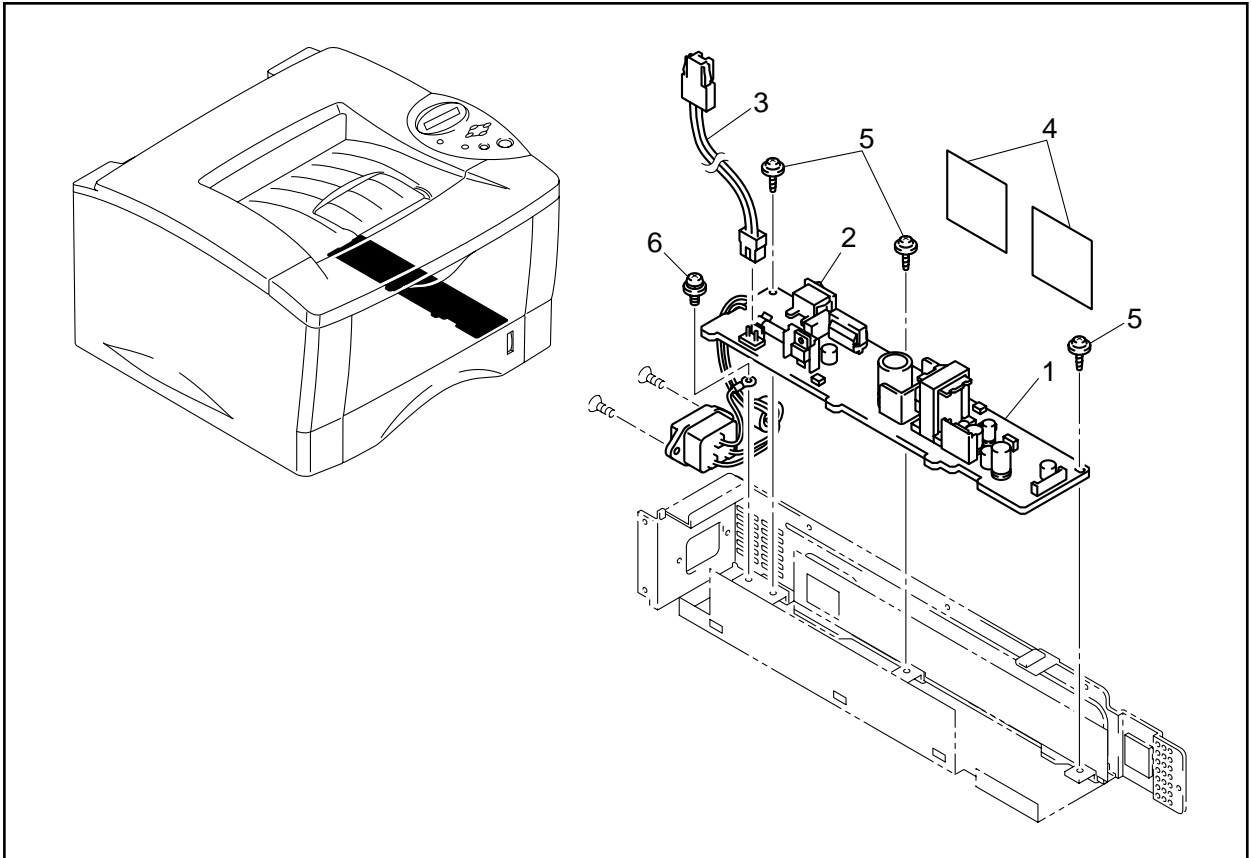
MODEL HL-1850/1870N 84U-Z23/Z24-200

9. ENGINE PCB



MODEL HL-1850/1870N 84U-Z23/Z24-151

10. LOW-VOLTAGE POWR SUPPLY PCB



MODEL HL-1850/1870N 84U-Z23/Z24-201

11. HIGH-VOLTAGE POWER SUPPLY PCB

REF.NO.	CODE	QTY	DESCRIPTION	REMARK
1	LJ8422001	1	HIGH-VOLTAGE PS PCB ASSY ZLH	
2	085411015	1	TAPTITE, BIND B M4X10	

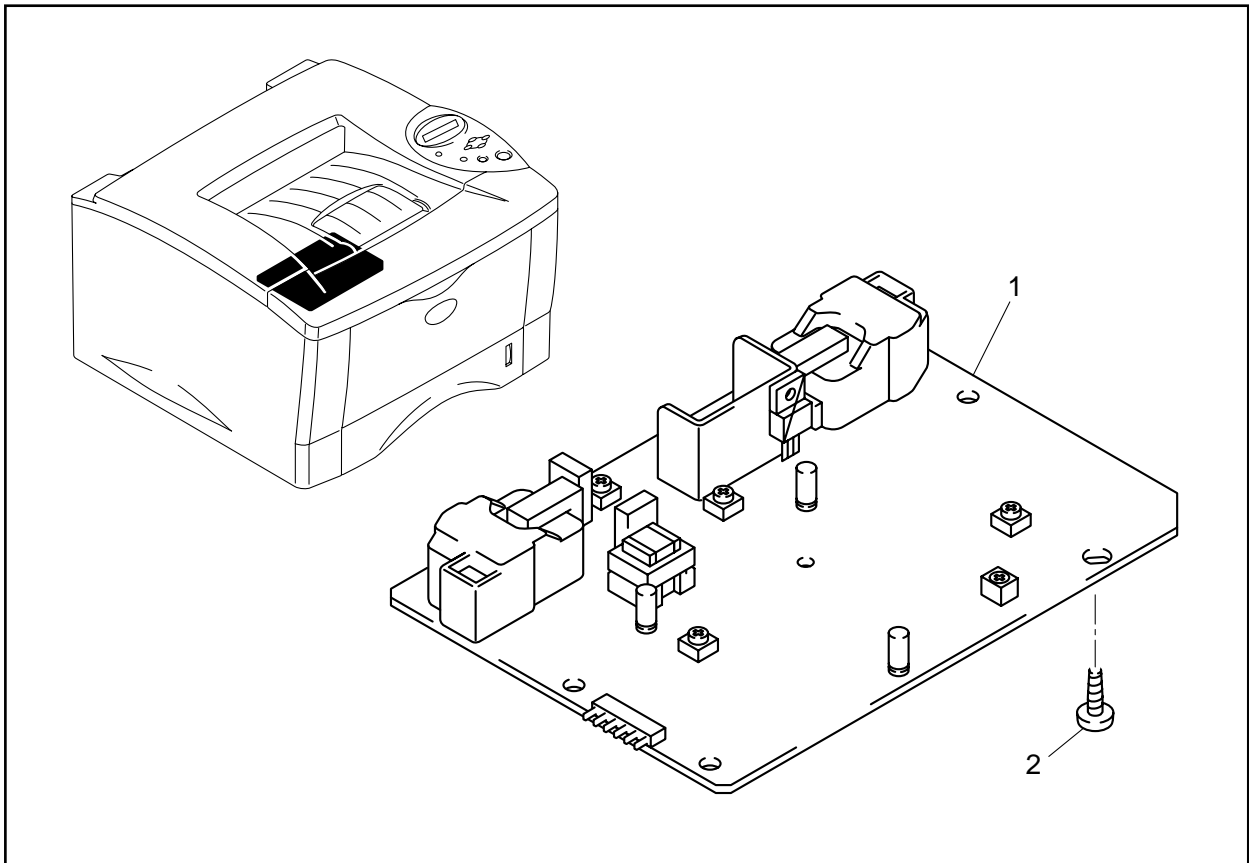
MODEL HL-1850/1870N 84U-Z23/Z24-220

12. AC CORDS

REF.NO.	CODE	QTY	DESCRIPTION	REMARK
1A	LJ8875001	1	AC CORD, UL/CSA	
1B	LJ8879001	1	AC CORD ASSY, SAA	
1C	LJ8877001	1	AC CORD ASSY, SEV	
1E	UH1054001	1	AC CORD, BS	
1F	U34322001	1	AC CORD #6, ISRAEL	
1G	UK4094001	1	AC CORD, DEMKO	
1H	LJ8876001	1	AC CORD ASSY, VDE	
1I	LJ8288001	1	AC CORD ASSY, SOUTH AFRICA	

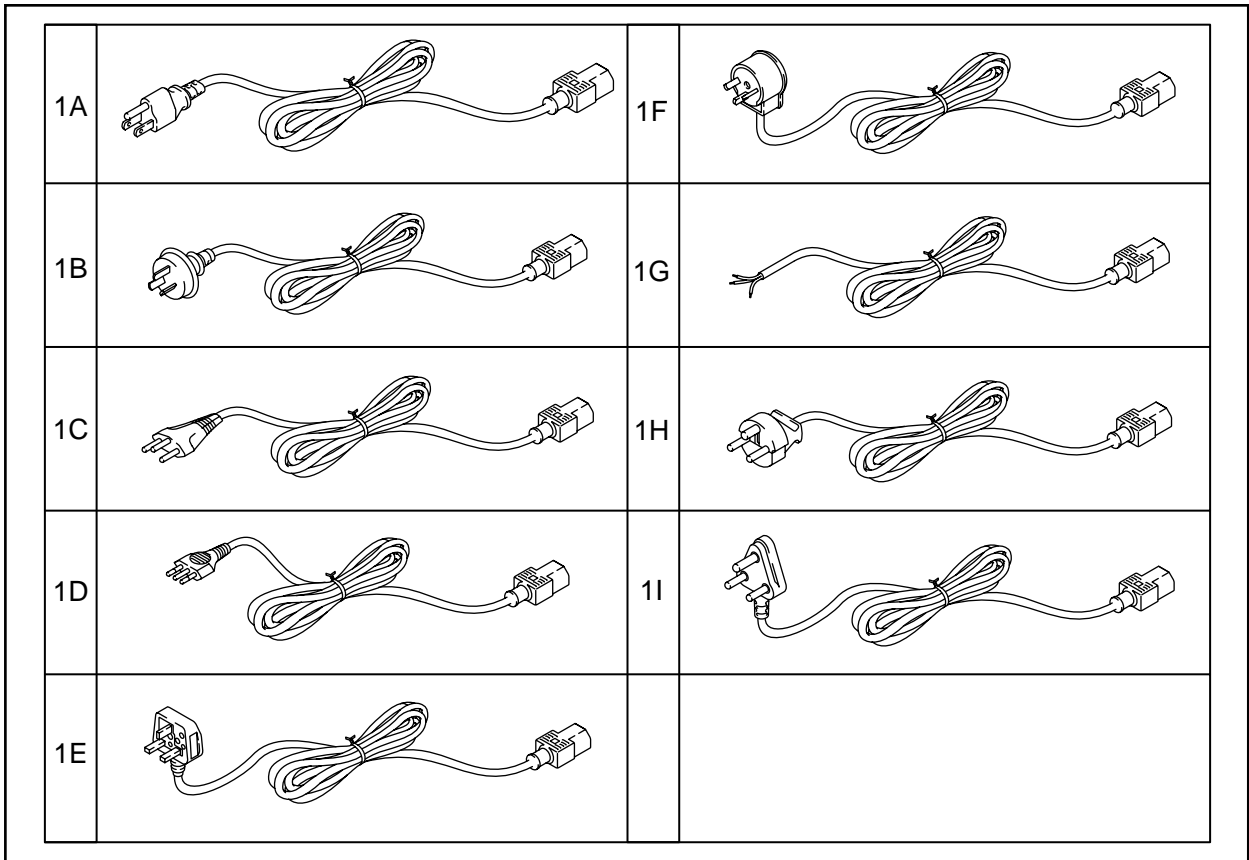
MODEL HL-1850/1870N 84U-Z23/Z24-230

11. HIGH-VOLTAGE POWER SUPPLY PCB



MODEL HL-1850/1870N 84U-Z23/Z24-220

12. AC CORDS



MODEL HL-1850/1870N 84U-Z23/Z24-230

13. ACCESSORIES

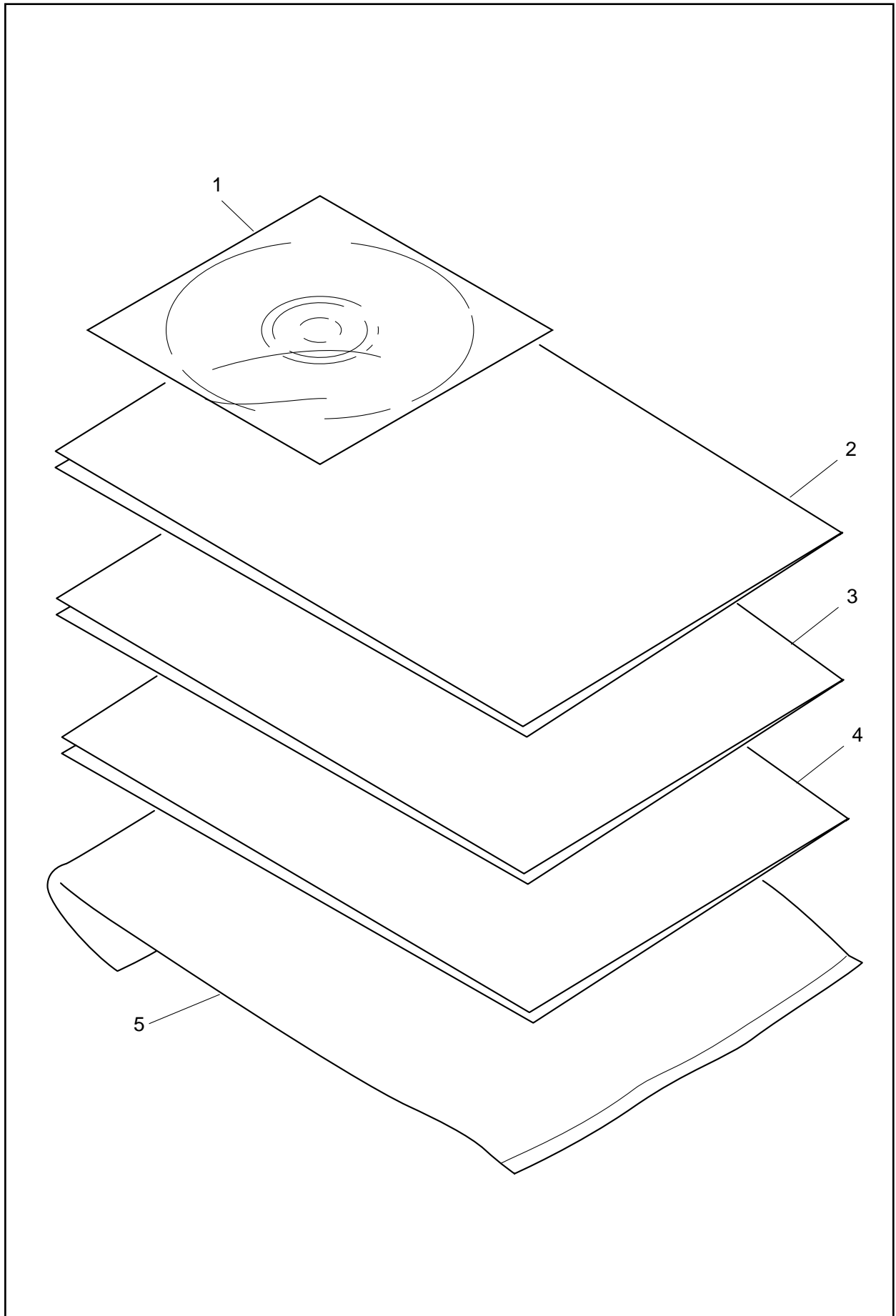
PR2002069

REF.NO.	CODE	Q'TY	DESCRIPTION	REMARK
1	LJ5947001	1	CD ASSY 1850/1870N	Ver.B Ver.CHNG
2	LJ5948001	1	SET GUIDE HE US	
2	LJ7029001	1	SET GUIDE HE FRE	
2	LJ5961001	1	SET GUIDE HE GER	
2	LJ7033001	1	SET GUIDE HE NOR	
2	LJ7030001	1	SET GUIDE HE NL	
2	LJ7035001	1	SET GUIDE HE DEN	
2	LJ7032001	1	SET GUIDE HE SPA	
2	LJ7031001	1	SET GUIDE HE ITA	
2	LJ7034001	1	SET GUIDE HE SWE	
3	LJ5996001	1	WIN DRIVER GUIDE US	
3	LJ7036001	1	WIN DRIVER GUIDE FRE	
3	LJ5997001	1	WIN DRIVER GUIDE GER	
3	LJ7040001	1	WIN DRIVER GUIDE NOL	
3	LJ7037001	1	WIN DRIVER GUIDE NL	
3	LJ7042001	1	WIN DRIVER GUIDE DEN	
3	LJ7039001	1	WIN DRIVER GUIDE SPA	
3	LJ7038001	1	WIN DRIVER GUIDE ITA	
3	LJ7041001	1	WIN DRIVER GUIDE SWE	
4	LJ5998001	1	MAC DRIVER GUIDE US	
4	LJ7043001	1	MAC DRIVER GUIDE FRE	
4	LJ5999001	1	MAC DRIVER GUIDE GER	
4	LJ7047001	1	MAC DRIVER GUIDE NOR	
4	LJ7044001	1	MAC DRIVER GUIDE NL	
4	LJ7049001	1	MAC DRIVER GUIDE DEN	
4	LJ7046001	1	MAC DRIVER GUIDE SPA	
4	LJ7045001	1	MAC DRIVER GUIDE ITA	
4	LJ7048001	1	MAC DRIVER GUIDE SWE	
5	LJ4961001	1	BAG, 215X350H	

MODEL HL-1850/1870N 84U-Z23/Z24-920

T/I NO. PR2002069

13. ACCESSORIES



MODEL HL-1850/1870N 84U-Z23/Z24-920

14. PACKING MATERIALS

REF.NO.	CODE	Q'TY	DESCRIPTION	REMARK
1	LL0540001	1	CARTON, HL-1850 US	
1	LL0543001	1	CARTON, HL-1870N US	
1	LL0541001	1	CARTON, HL-1850 EUR	
1	LL0544001	1	CARTON, HL-1870N EUR	
2	LL0282001	1	STYROFORM PAD ASSY	
4	LJ5583001	1	BAG, 800X900H	
5	LJ5557001	1	PROCESS BAG 400X480	

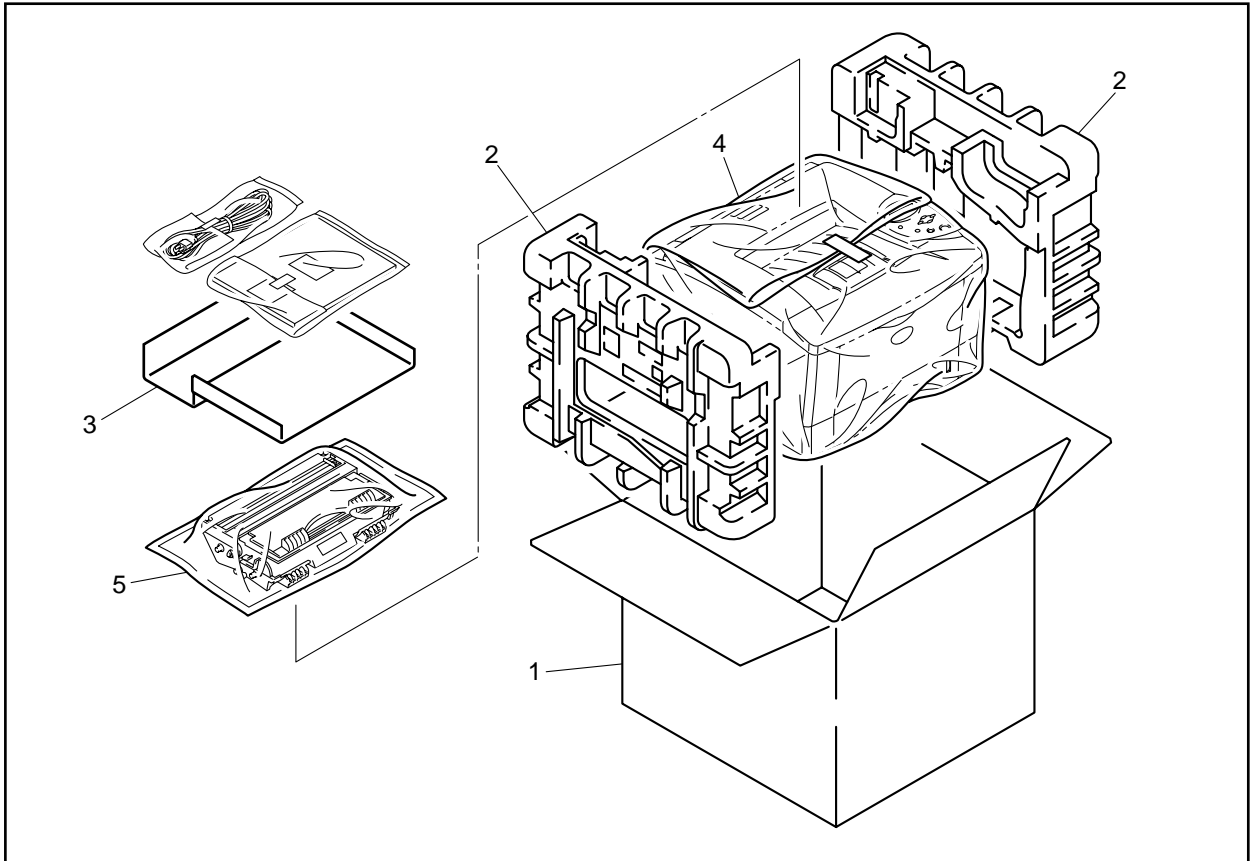
MODEL HL-1850/1870N 84U-Z23/Z24-930

15. NETWORK BOARD

REF.NO.	CODE	Q'TY	DESCRIPTION	SYMBOL	REMARK
1	LJ8671001	1	BRNET PCB UNIT 4100H	B512058-211A	
1-1	087320616	2	TAPTITE, CUP S M3X6		

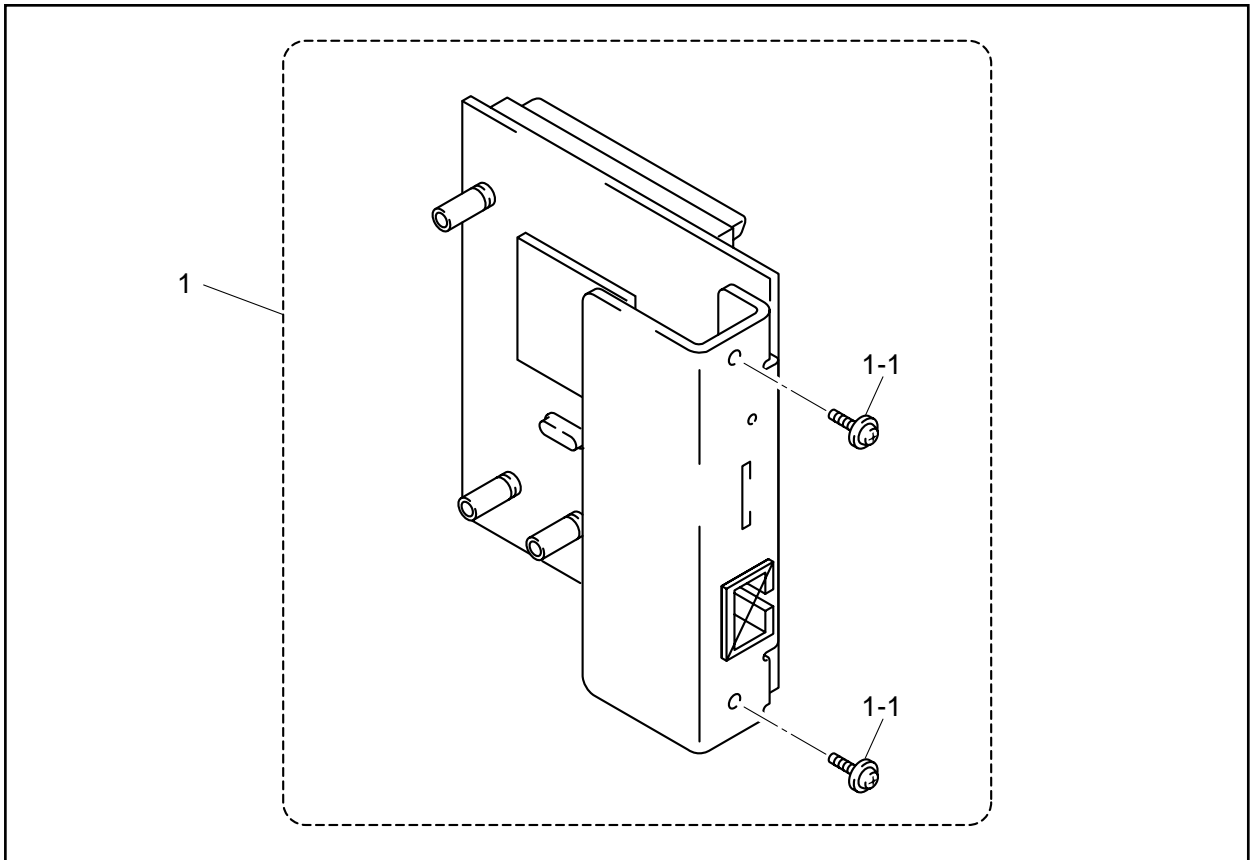
MODEL HL-1870N 84U-Z24-150

14. PACKING MATERIALS



MODEL HL-1850/1870N 84U-Z23/Z24-930

15. NETWORK BOARD



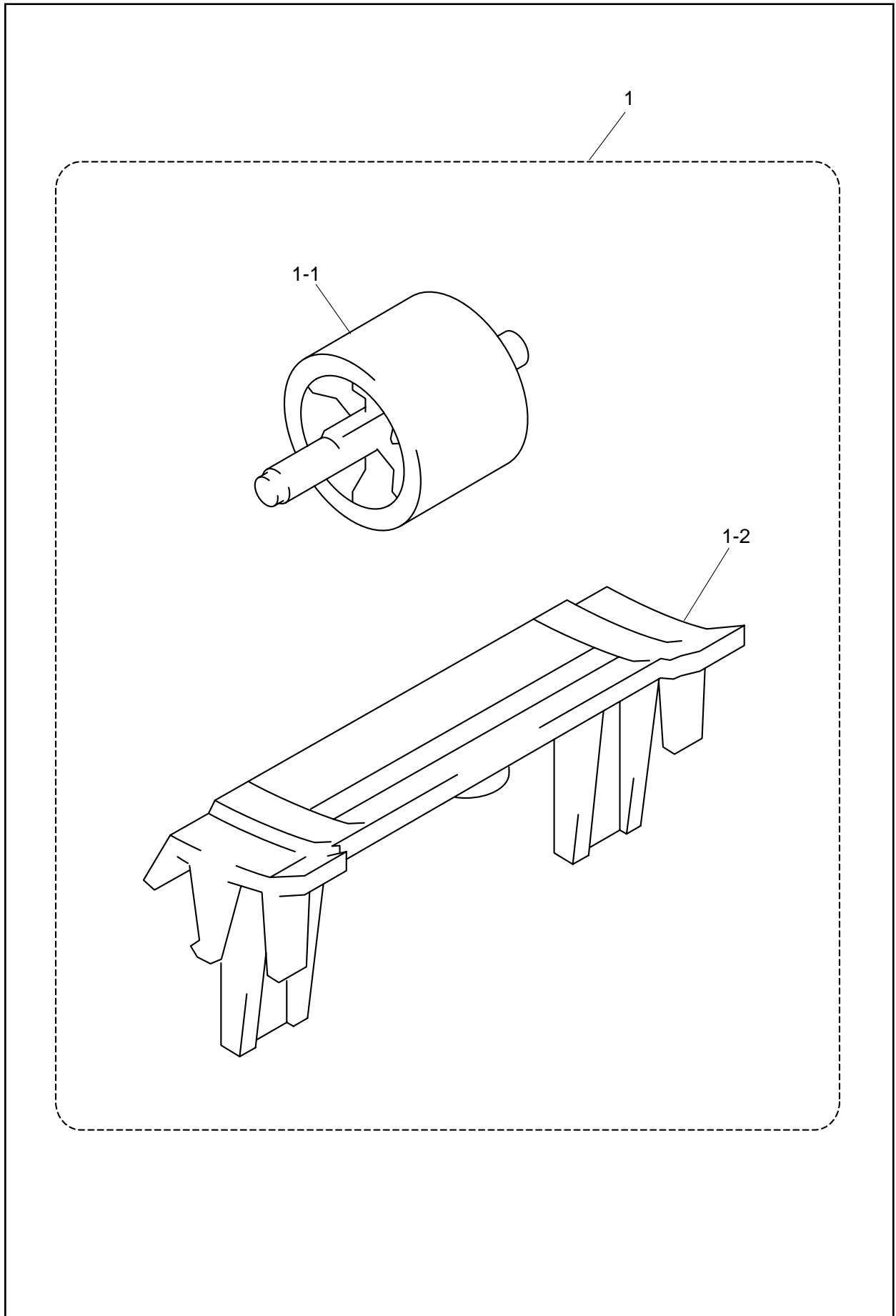
MODEL HL-1870N 84U-Z24

16. PERIODICAL MAINTENANCE PARTS

REF.NO.	CODE	QTY	DESCRIPTION	REMARK
1	LJ5927001	1	PAPER FEEDING KIT	
1-1	LJ5016001	1	PAPER PICK-UP ROLLER ASSY *1	
1-2	LJ5919001	1	PAD HOLDER ZLH ASSY *2	
			*1 Refer to "3. PAPER FEEDER / MP UNIT".	
			*2 Refer to "5. PAPER CASSETTE".	

MODEL HL-1850/1870N 84U-Z23/Z24-010

16. PERIODICAL MAINTENANCE PARTS



MODEL HL-1850/1870N 84U-Z23/Z24