



LASER PRINTER

PARTS REFERENCE LIST



HL-1260E

NOTES FOR USING THIS PARTS REFERENCE LIST

1. In the case of ordering parts, it needs mentioning the following items:

- (1) Code
- (2) Q'ty
- (3) Description
- (4) Revision No. (for a kind of printed circuit boards)

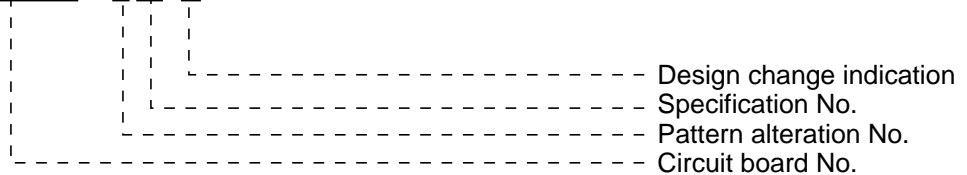
Note : No orders without Parts Code or Tool No. can be accepted.

< Example >

	(1) ---	(2) ---	(3) ---	
REF.NO.	CODE	Q'TY	DESCRIPTION	REMARKS

(4) Revision No.; marked on a printed circuit board.

B48K056 - 201 A



2. Design-changed parts;

If the parts are changed, any one of the following symbols is indicated in the REMARKS column.

- #A : compatible between old and new
- #B : replaceable from old to new
- #D : incompatible
- # : newly established

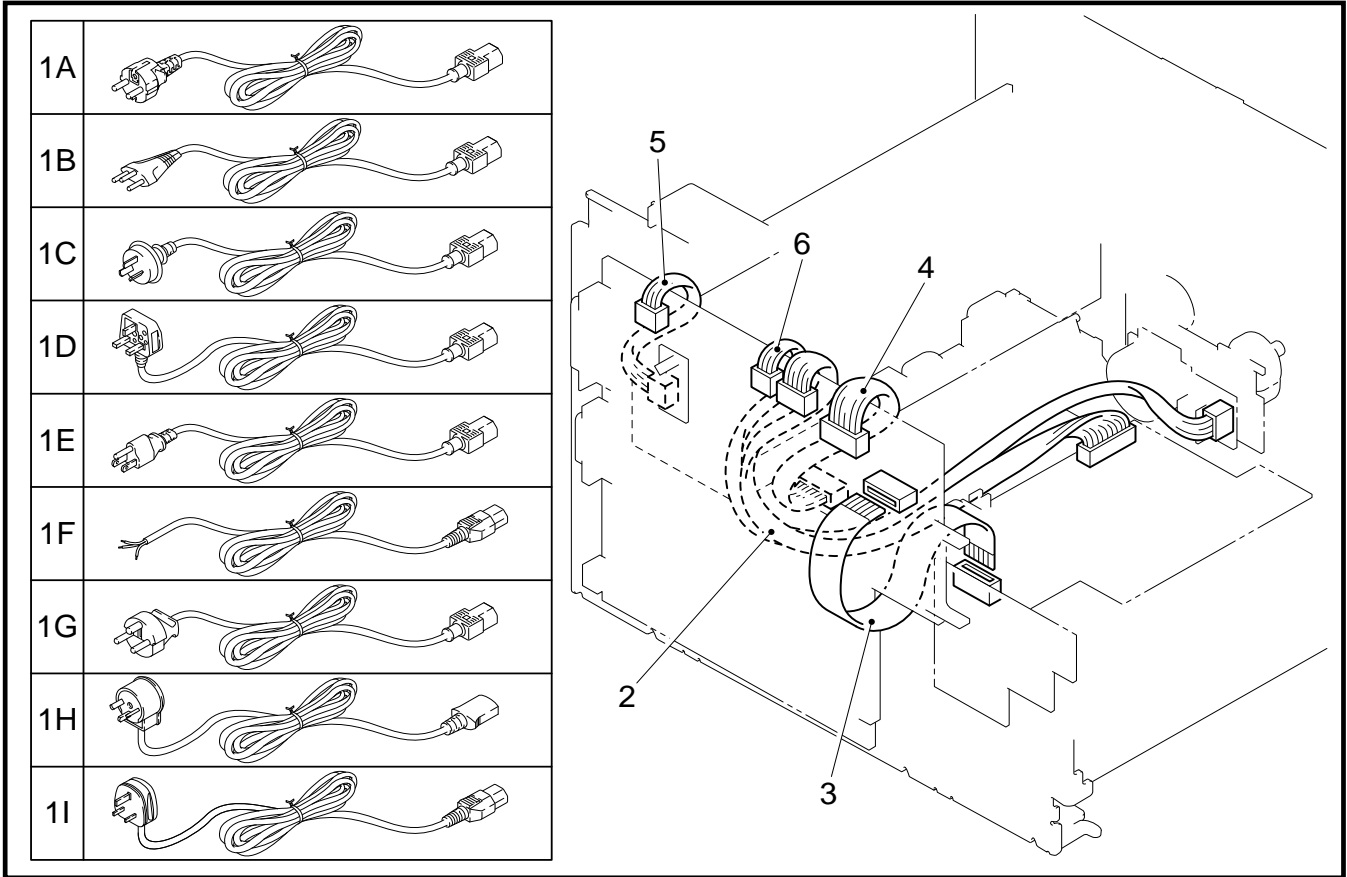
3. The original of this list was made based on the information available in February, 1996.

4. Parts are subject to change in design without prior notice.

CONTENTS

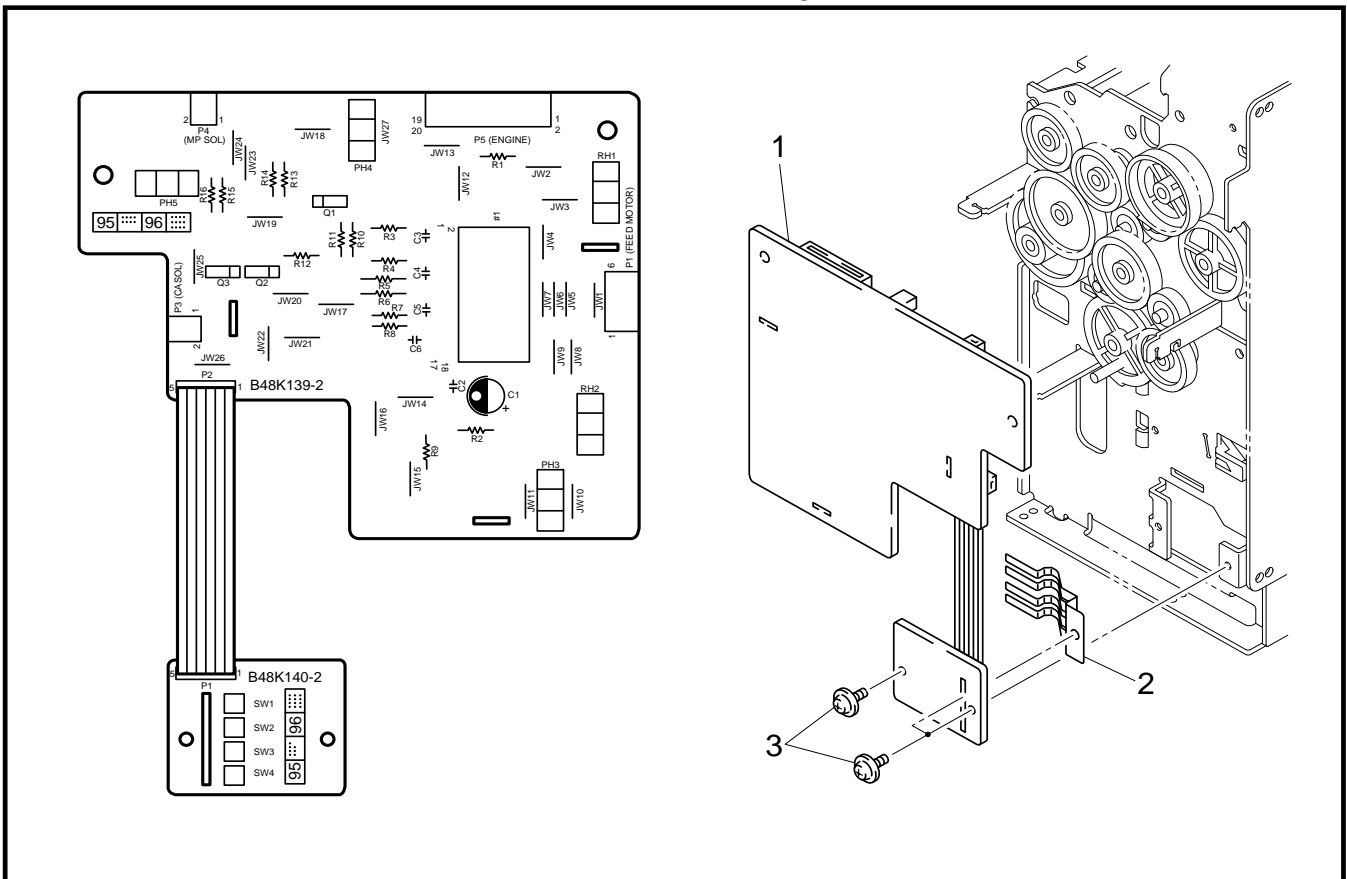
1. POWER CORDS & HARNESSSES	1
2. PAPER FEEDER PCB	1
3. CONTROL PANEL	3
4. PCB ATTACHMENTS	3
5. MAIN PCB, OTHERS	5
6. MAIN PCB, ISRAEL	7
7. HIGH-VOLTAGE POWER SUPPLY	9
8. LOW-VOLTAGE POWER SUPPLY	9
9. COVERS	11
10. CHASSIS	11
11. TRANSFER	13
12. PAPER TRAY	13
13. PAPER FEEDER	15
14. SCANNER	17
15. FIXING UNIT, 120/230V	17
16. DOCUMENTS	19
17. PACKING MATERIALS	19
18. OPTIONAL PARTS SET	21
19. ADJUSTING TOOL KIT	21

1. POWER CORDS & HARNESSES



MODEL HL-1260E 54T-U01-050/070

2. PAPER FEEDER PCB



MODEL HL-1260E 54T-U01-090

1 . POWER CORDS & HARNESSSES

REF.NO.	CODE	Q'TY	DESCRIPTION	REMARKS
1A	UH1052001	1	AC CORD, VDE	
1B	UH1053001	1	AC CORD, SEV	
1C	UH1055001	1	AC CORD, SAA	
1D	UH1054001	1	AC CORD, BS	
1E	UH1051001	1	AC CORD, UL/CSA	
1F	U34320001	1	AC CORD #4, BS WO/PLUG	
1G	U34321001	1	AC CORD #5, DEMKO	
1H	U34322001	1	AC CORD #6, ISRAEL	
1I	U34342001	1	AC CORD #8, BS/SINGAPORE	
2	UK2502001	1	HV HARNESS 16P	
3	UK2505000	1	FEED FLAT CABLE 20P	
4	UK2506001	1	LV HARNESS 8P	
5	UK2507001	1	FUSER HARNESS 4P	
6	UK2508001	1	DC MOTOR HARNESS 4P	

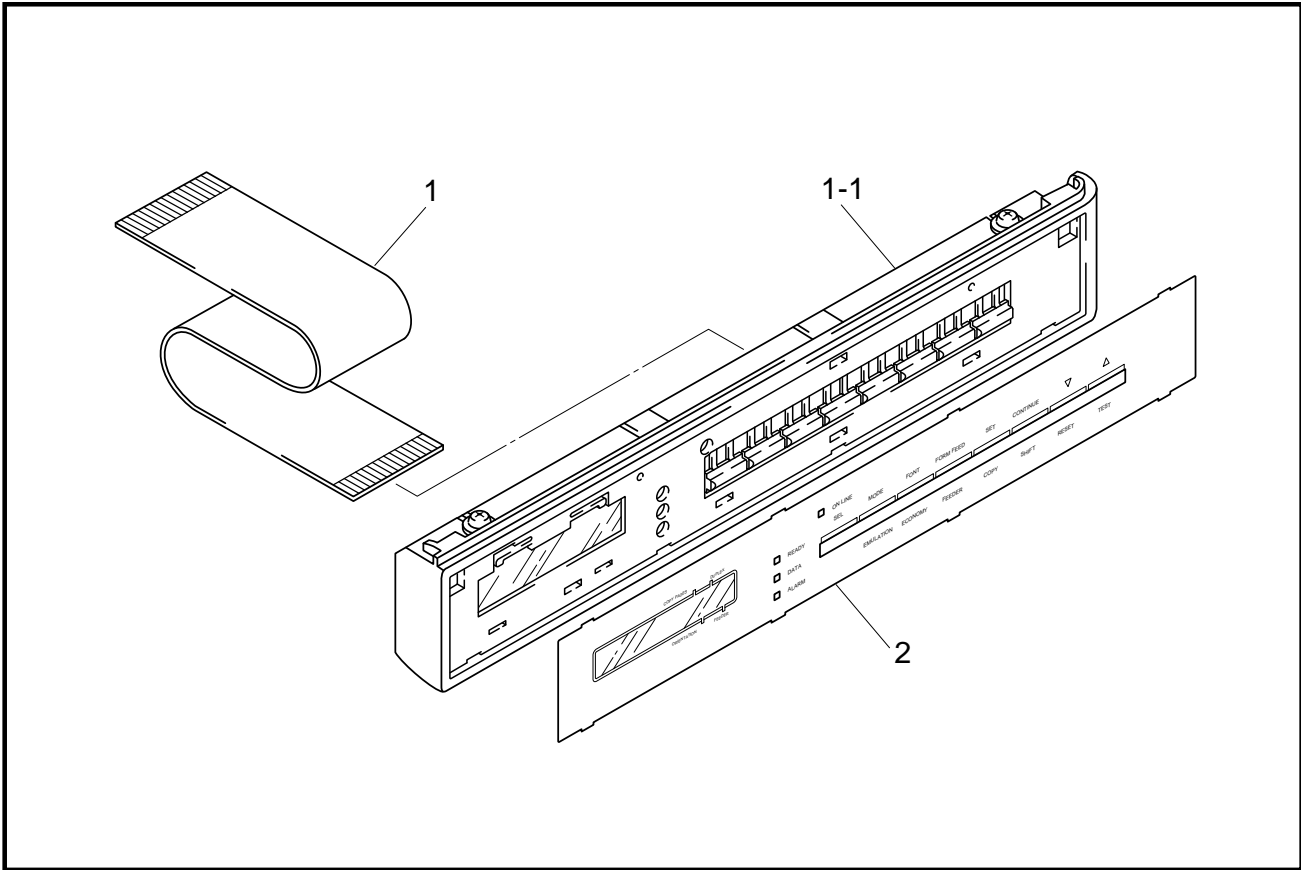
MODEL HL-1260E 54T-U01-050/070

2 . PAPER FEEDER PCB

REF.NO.	SYMBOL	CODE	Q'TY	DESCRIPTION	REMARKS
1	B48K139/140-200B/200B	UK2701001	1	P FEED/SIZE-SW PCB ASSY (SP)	
2		UH2410000	1	SIZE SWITCH SPRING	
3		087320616	2	TAPTITE, CUP S M3X6	

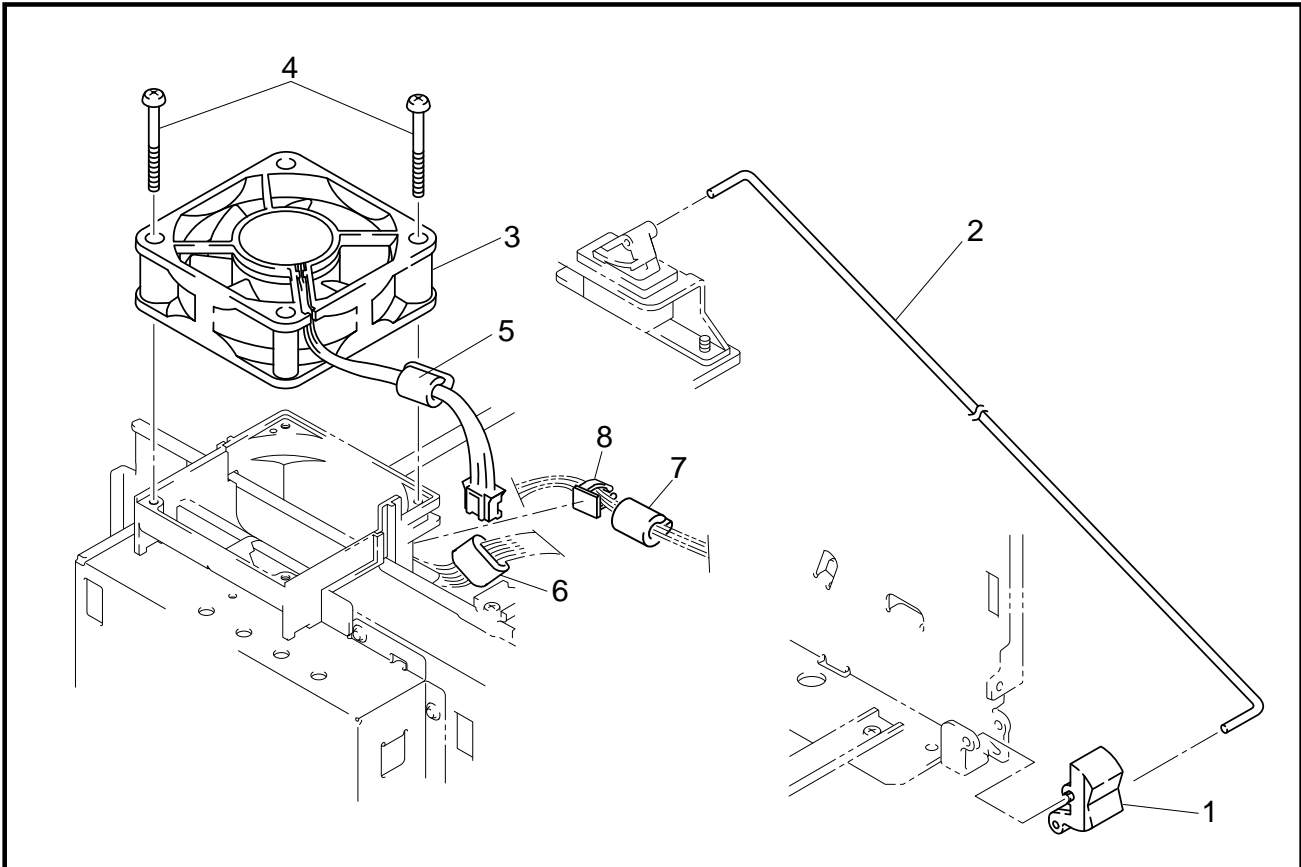
MODEL HL-1260E 54T-U01-090

3. CONTROL PANEL



MODEL HL-1260E 54T-U01-150

4. PCB ATTACHMENTS



MODEL HL-1260E 54T-U01-450

3 .CONTROL PANEL

REF.NO.	SYMBOL	CODE	Q'TY	DESCRIPTION	REMARKS
1-1	(B48K143-200B)	UK3024001	1	CONTROL PANEL UNIT (SP)	
1		UK2500000	1	SWITCH FLAT CABLE 21P	
2		UH2020001	1	PANEL SHEET, 1260E	

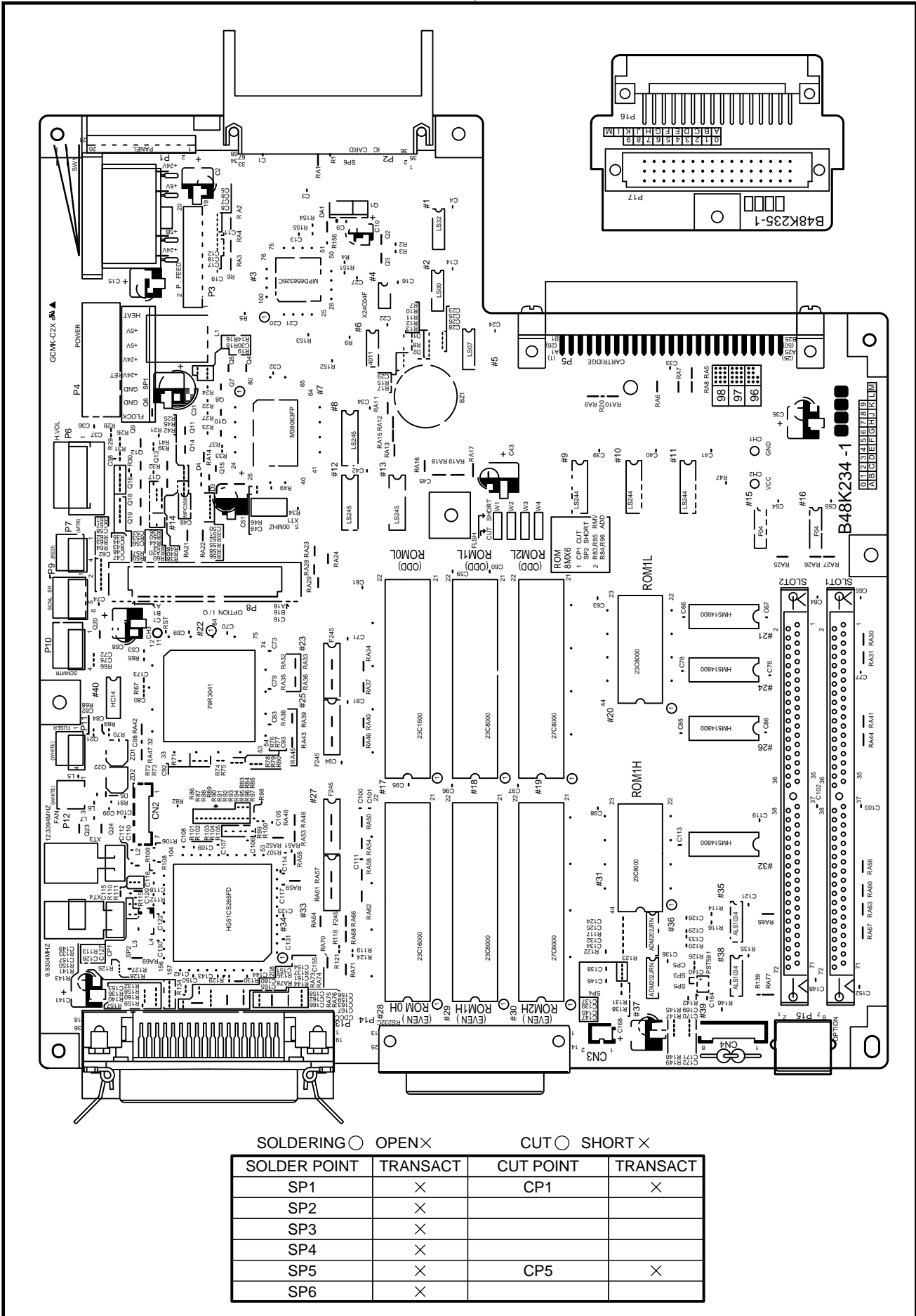
MODEL HL-1260E 54T-U01-150

4 .PCB ATTACHMENTS

REF.NO.	CODE	Q'TY	DESCRIPTION	REMARKS
1	UH2121001	1	REMOTE SWITCH	
2	UH2122000	1	PS SWITCH WIRE	
3	UH2124001	1	DC FAN MOTOR	
4	083313515	2	TAPTITE, PAN B M3X35	
5	UK2826000	1	CORE:RI-12-15-8.5	
6	UK3213000	1	CORE:FPC-16-12	
7	UK3214000	1	CORE:ZCAT1518	
8	UK3215000	1	CABLE CLAMP	

MODEL HL-1260E 54T-U01-450

5. MAIN PCB, OTHERS



SOLDERING ○ OPEN × CUT ○ SHORT ×

SOLDER POINT	TRANSACTION	CUT POINT	TRANSACTION
SP1	×	CP1	×
SP2	×		
SP3	×		
SP4	×		
SP5	×	CP5	×
SP6	×		

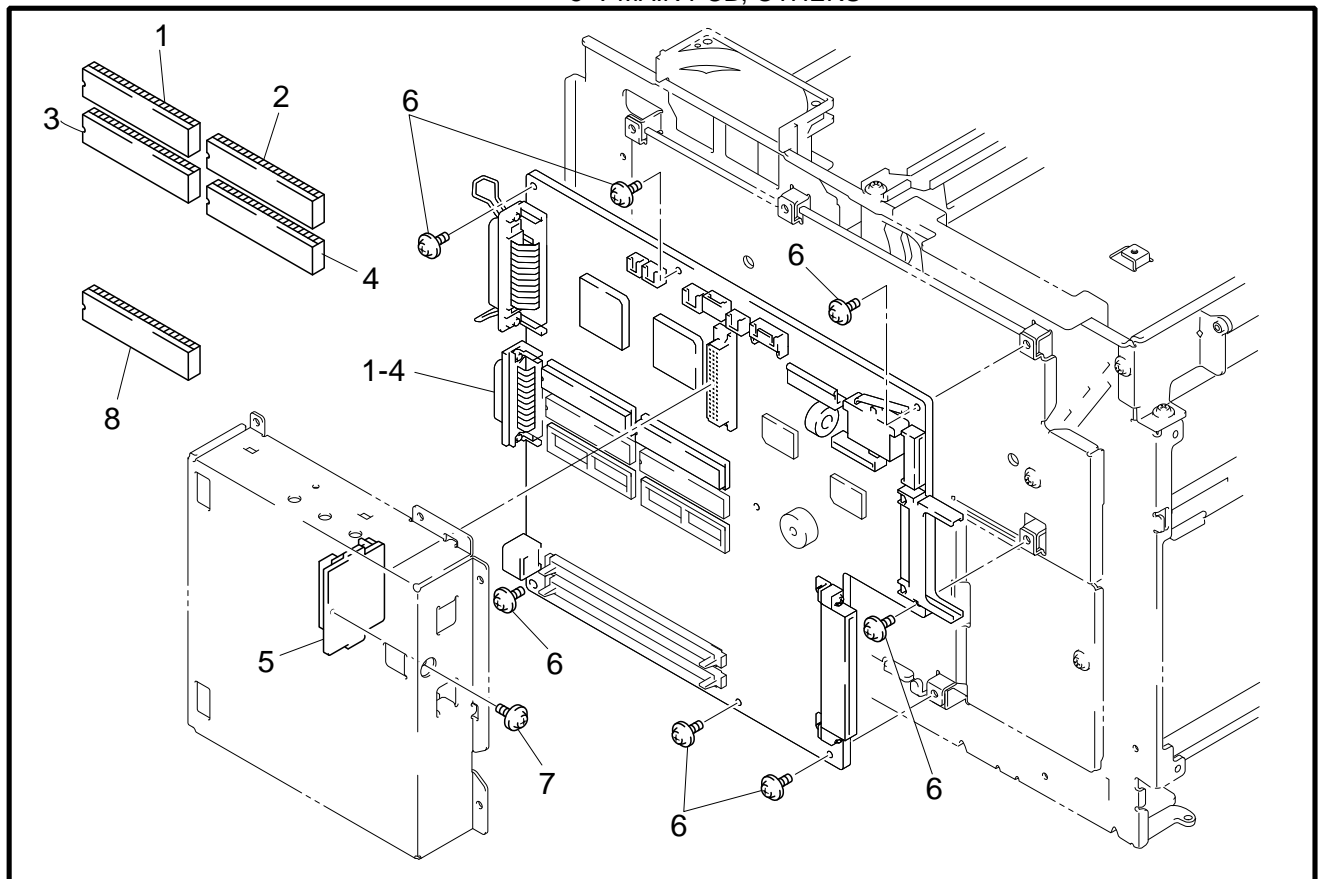
MODEL HL-1260E 54T-U01-100

5 . MAIN PCB, OTHERS

REF.NO.	SYMBOL	CODE	Q'TY	DESCRIPTION	REMARKS
1-4	B48K234-100A	UK3221001	1	MAIN PCB ASSY (SP), HL-1260E	
1	#28	UK3165000	1	MASK ROM:2316040-011	
2	#17	UK3166000	1	MASK ROM:2316040-012	
3	#29	UK2718000	1	MASK ROM:23C8000-01	
4	#18	UK2719000	1	MASK ROM:23C8000-02	
5	B48K235-100	UK3169001	1	MIO CONNECTOR PCB ASSY	
6		087320616	7	TAPTITE, CUP S M3X6	
7		087320616	1	TAPTITE, CUP S M3X6	
8	(# 28,17,29,18)	UK2466000	1	EPROM:27C8000DZ(BLANK EPROM)	

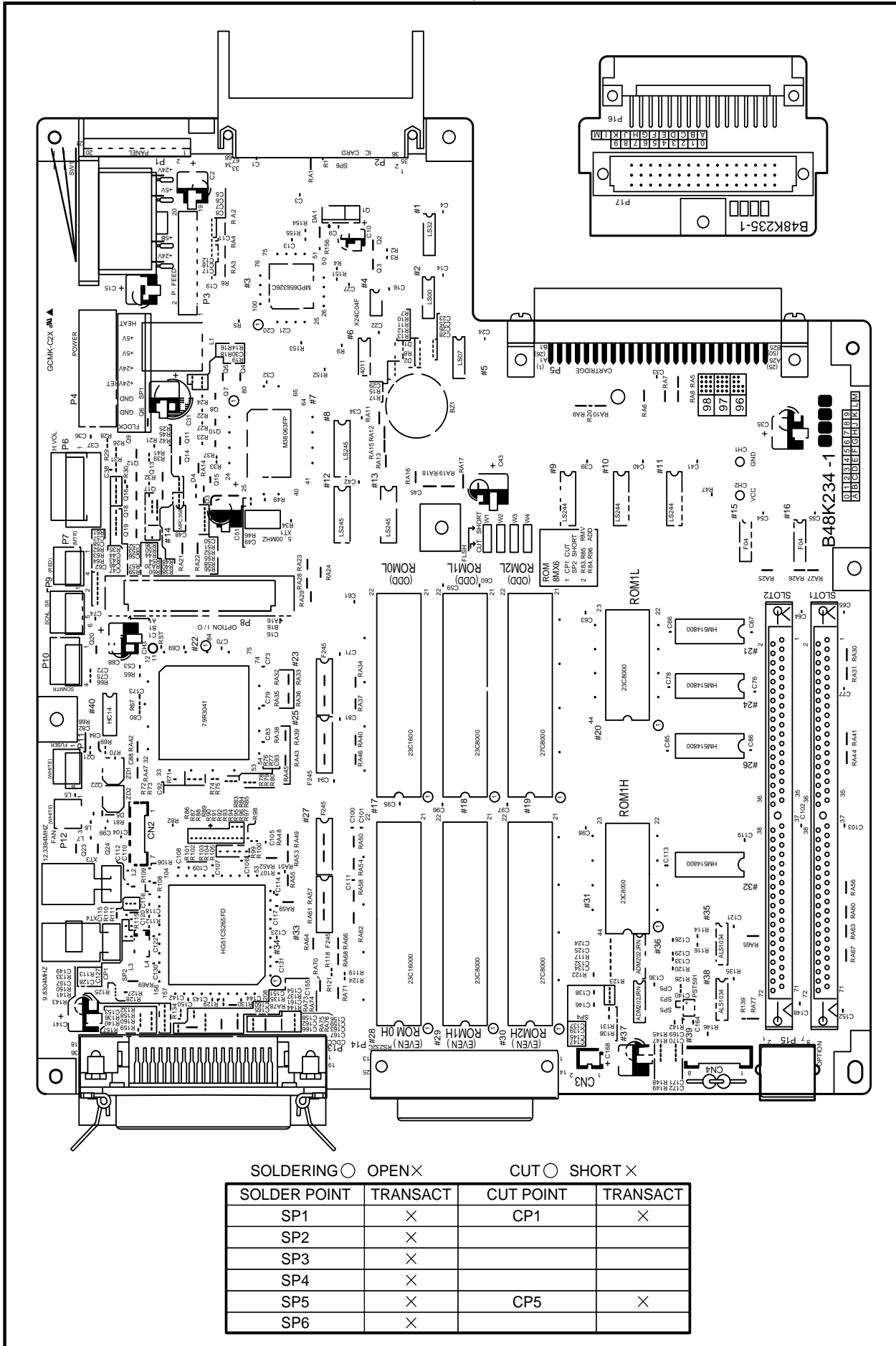
MODEL HL-1260E 54T-U01-100

5 . MAIN PCB, OTHERS



MODEL HL-1260E 54T-U01-100

6 . MAIN PCB, ISRAEL



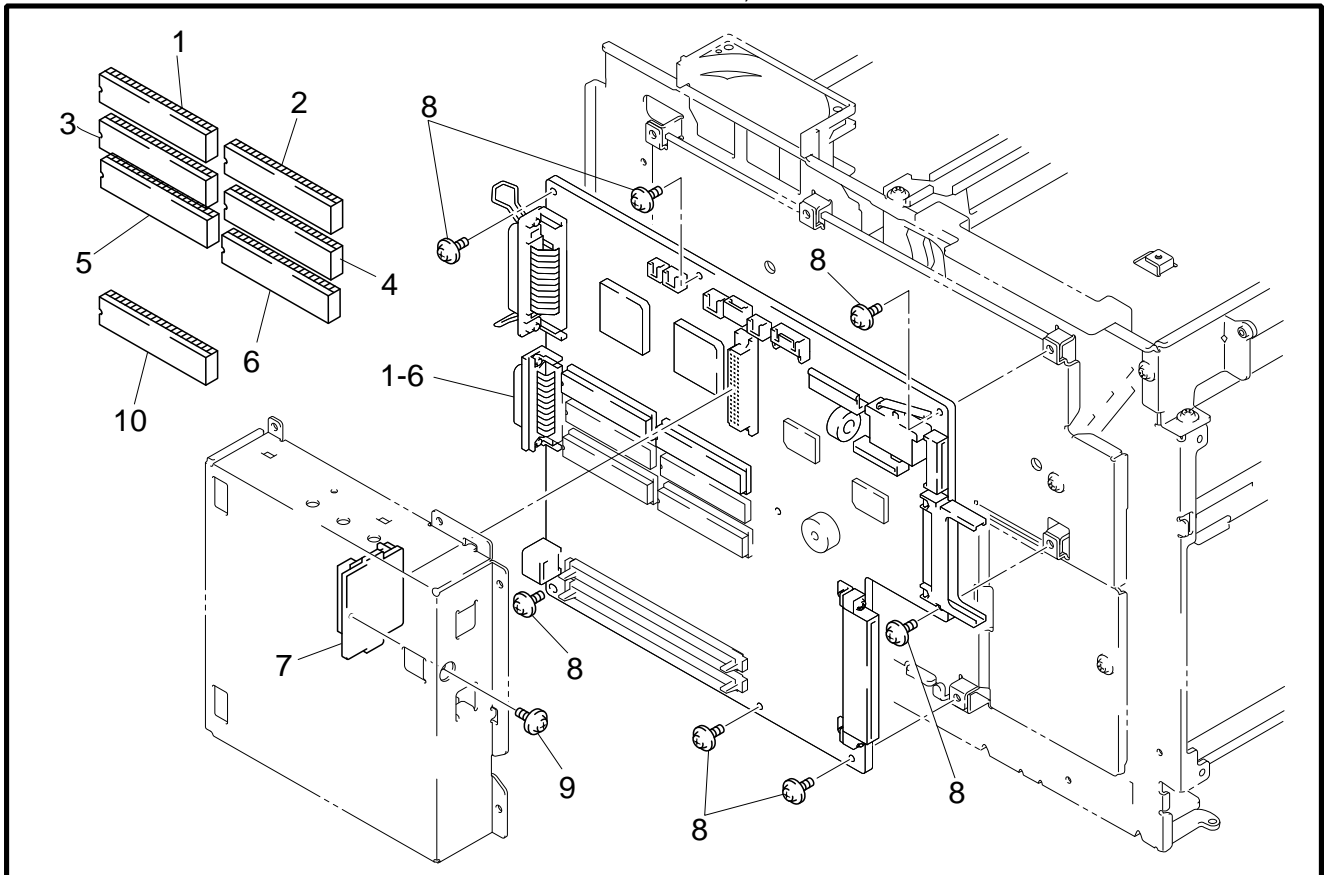
MODEL HL-1260E 54T-U01-104

6 . MAIN PCB, ISRAEL

REF.NO.	SYMBOL	CODE	Q'TY	DESCRIPTION	REMARKS
1-6	B48K234-101A	UK3223001	1	MAIN PCB ASSY 5 (SP), HEB	
1	#28	UK3165000	1	MASK ROM:2316040-011	
2	#17	UK3166000	1	MASK ROM:2316040-012	
3	#29	UK2718000	1	MASK ROM:23C8000-01	
4	#18	UK2719000	1	MASK ROM:23C8000-02	
5	#30	UK2945001	1	EPROM HEB1	
6	#19	UK2947001	1	EPROM HEB2	
7	B48K235-100	UK3169001	1	MIO CONNECTOR PCB ASSY	
8		087320616	7	TAPTITE, CUP S M3X6	
9		087320616	1	TAPTITE, CUP S M3X6	
10	(#28,17,29,18)	UK2466000	1	EPROM:27C8000DZ (BLANK EPROM)	

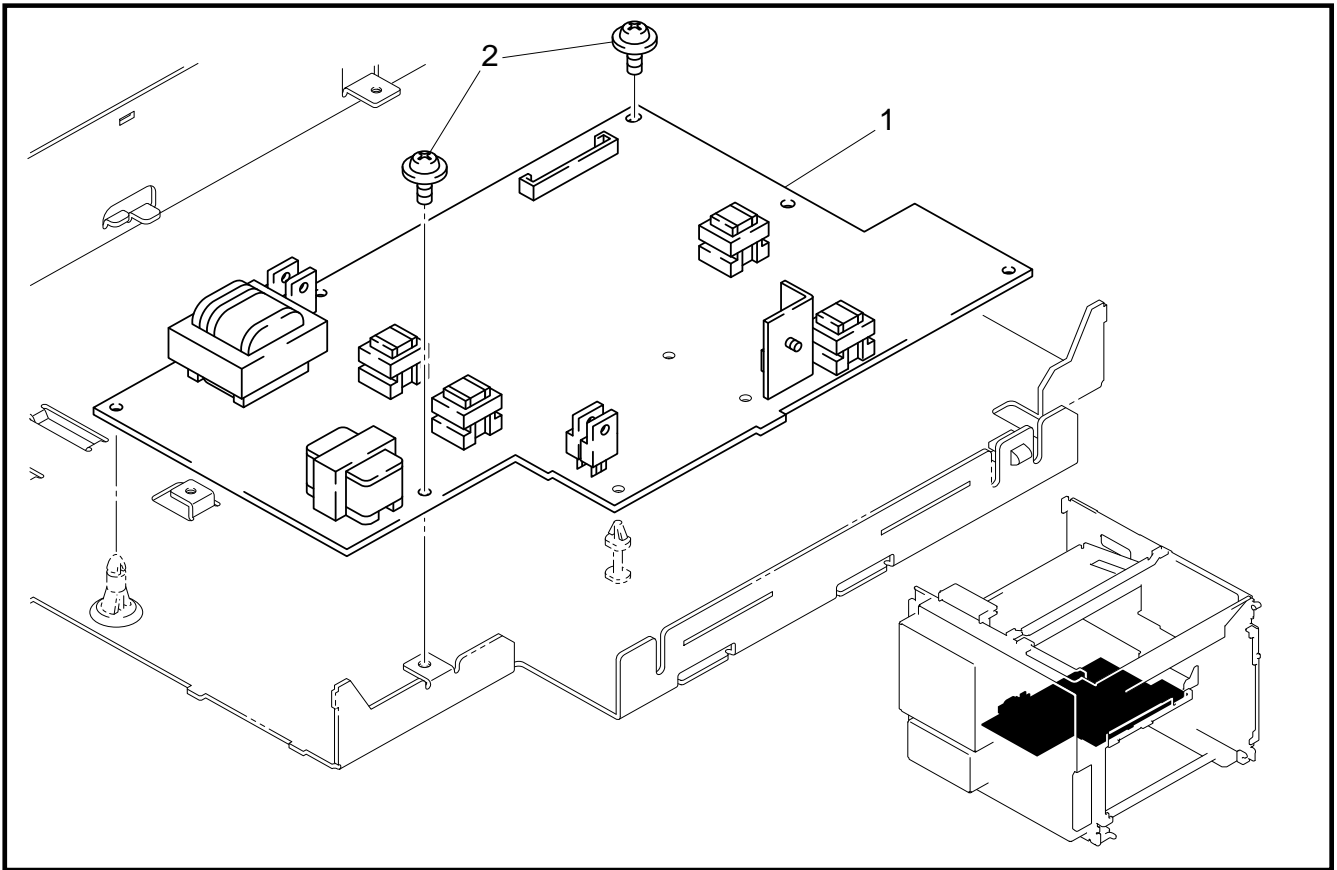
MODEL HL-1260E 54T-U01-104

6 . MAIN PCB, ISRAEL



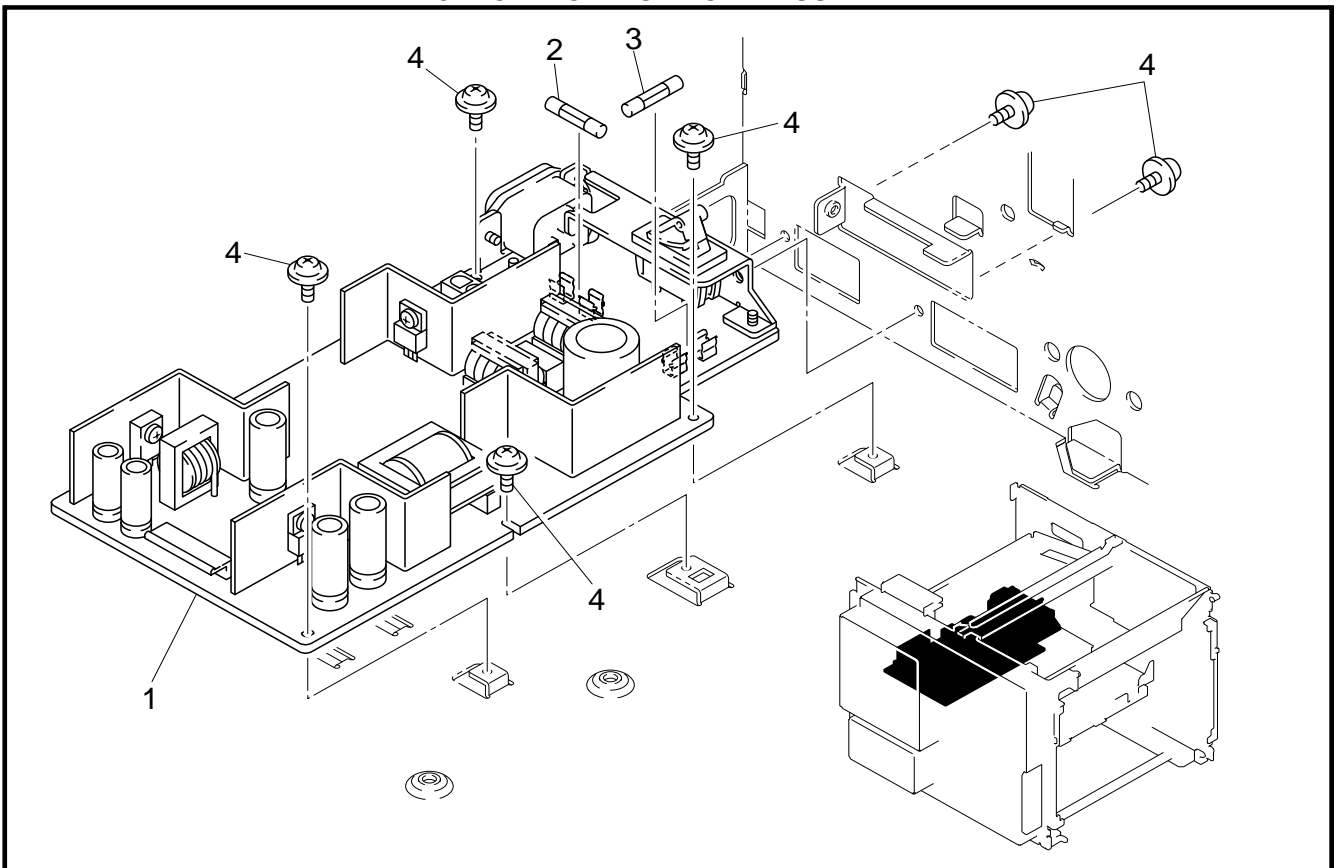
MODEL HL-1260E 54T-U01-104

7 . HIGH-VOLTAGE POWER SUPPLY



MODEL HL-1260E 54T-U01-200

8 . LOW-VOLTAGE POWER SUPPLY



MODEL HL-1260E 54T-U01-300

7 .HIGH-VOLTAGE POWER SUPPLY

REF.NO.	SYMBOL	CODE	Q'TY	DESCRIPTION	REMARKS
1	B48K186-300D	UK2702001	1	HIGH-VOLTAGE PS PCB ASSY (SP)	
2		087320616	2	TAPTITE, CUP S M3X6	

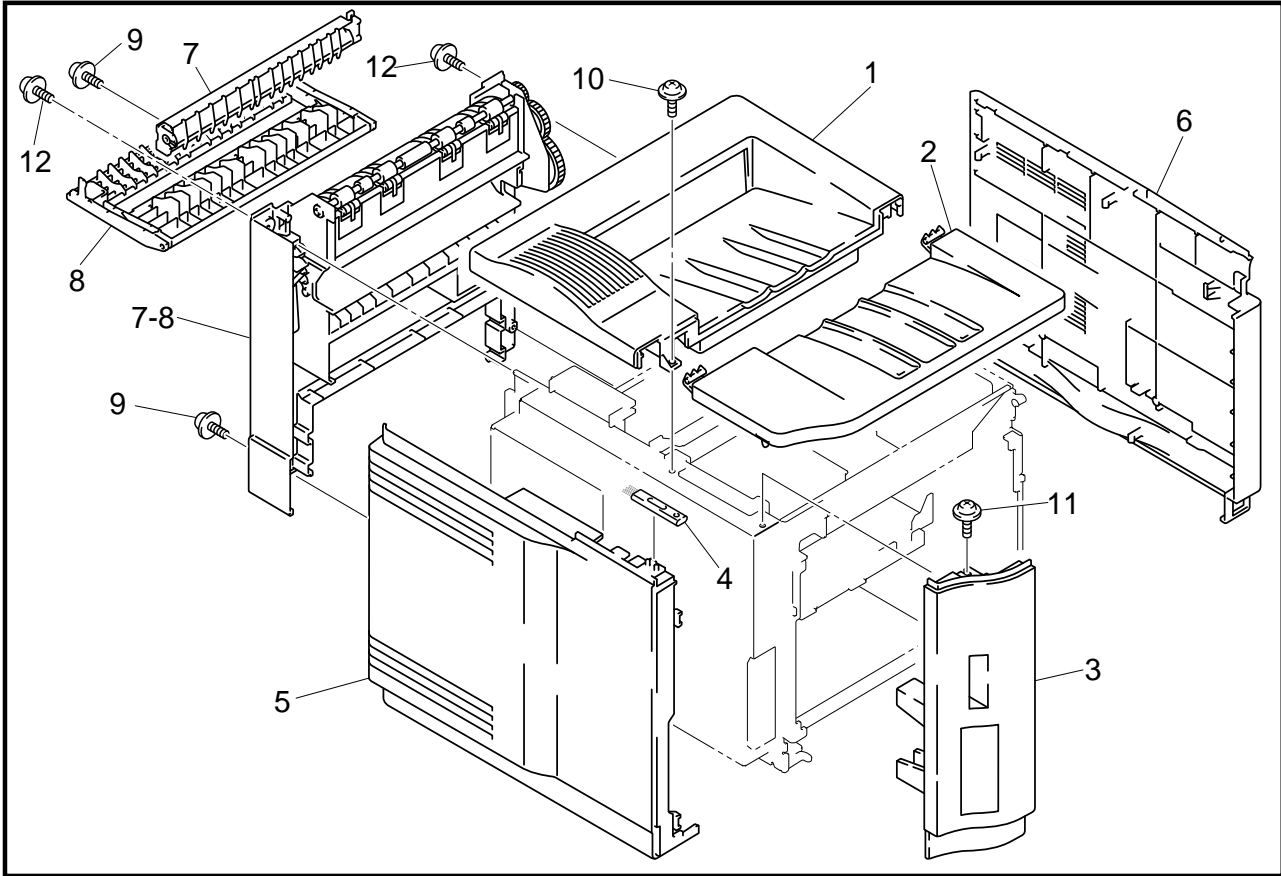
MODEL HL-1260E 54T-U01-200

8 .LOW-VOLTAGE POWER SUPPLY

REF.NO.	SYMBOL	CODE	Q'TY	DESCRIPTION	REMARKS
1	F101	UK2703001	1	LOW-VOLT PS PCB ASSY, 115V(SP)	
1		UK2704001	1	LOW-VOLT PS PCB ASSY, 230V(SP)	
1		UK2753001	1	LOW-VOLT PS PCB ASSY,115VM(SP)	
1		UK2754001	1	LOW-VOLT PS PCB ASSY,230VM(SP)	
2		UK2708001	1	GLASS FUSE, 10A-125VS (PS PCB 115V-F101)	
2		UK2710001	1	GLASS FUSE, 5A-250VS (PS PCB 230V-F101)	
2		UK2756001	1	GLASS FUSE, 10A-125VM (PS PCB 115V-F101)	
2		UK2760001	1	GLASS FUSE, 3A-250VM (PS PCB 230V-F101)	
3		UK2709001	1	GLASS FUSE, 4A-125VS (PS PCB 115V-F102)	
3		UK2711001	1	GLASS FUSE, 2A-250VS (PS PCB 230V-F102)	
3		UK2757001	1	GLASS FUSE, 5A-125VM (PS PCB 115V-F102)	
3		UK2759001	1	GLASS FUSE, 6A-250VM (PS PCB 230V-F102)	
4		087320616	6	TAPTITE, CUP S M3X6	

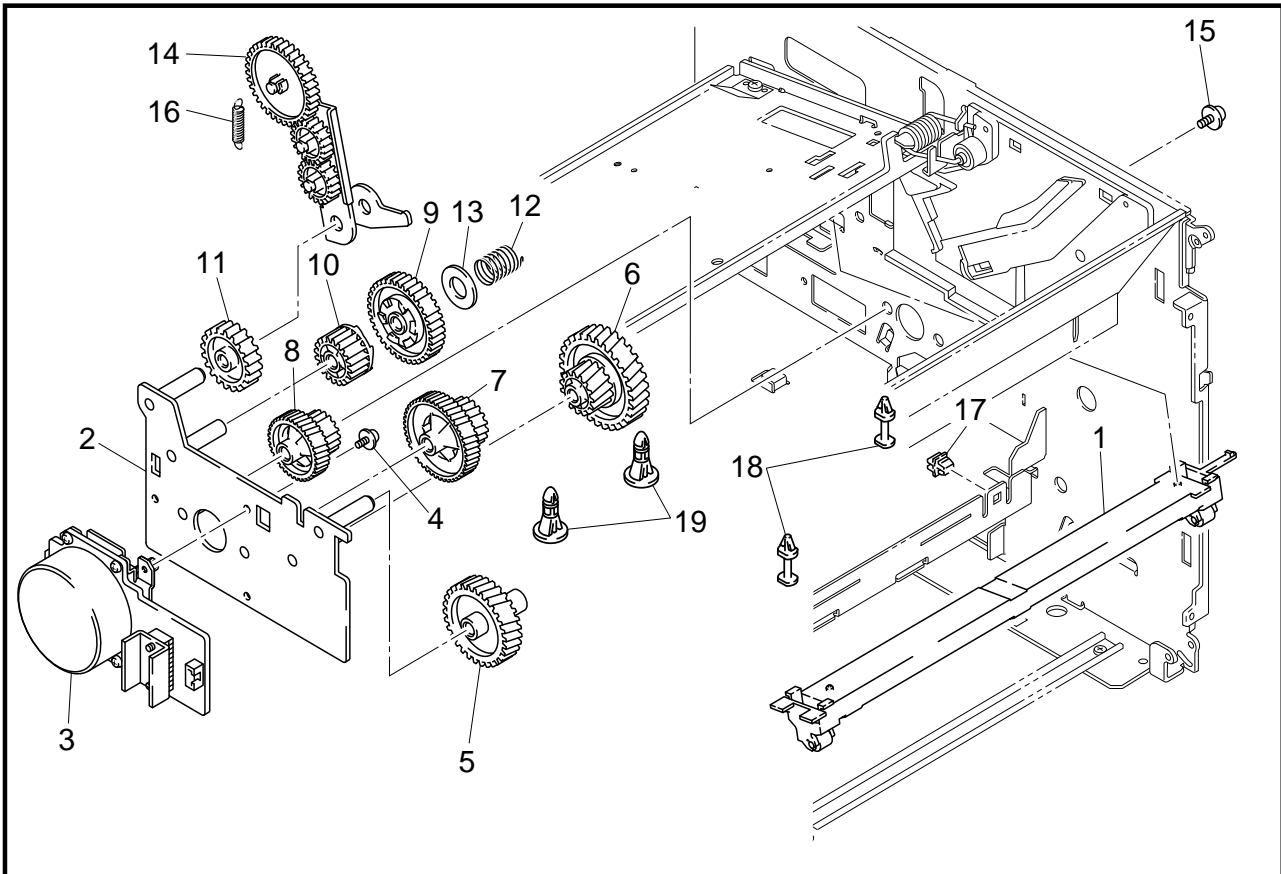
MODEL HL-1260E 54T-U01-300

9. COVERS



MODEL HL-1260E 54T-U01-400

10. CHASSIS



MODEL HL-1260E 54T-U01-500

9 .COVERS

REF.NO.	CODE	Q'TY	DESCRIPTION	REMARKS
1	UH2065001	1	UPPER COVER ASSY, GRAY1227	
2	UH2071001	1	TONER CARTRIDGE LID, GRAY1227	
3	UH2072001	1	FONT COVER ASSY, GRAY1227	
4	UH2076001	1	CLEANER BRUSH	
5	UH2077001	1	SIDE COVER L, GRAY1227	
6	UH2078001	1	SIDE COVER R, GRAY1227	
7-8	UH2082001	1	REAR COVER ASSY, GRAY1227	
7	UH2085001	1	CHANGEOVER GUIDE, GRAY1227	
8	UH2103001	1	JAM REMOVE COVER, GRAY1227	
9	087320616	2	TAPTITE, CUP S M3X6	
10	087320616	1	TAPTITE, CUP S M3X6	
11	087320616	1	TAPTITE, CUP S M3X6	
12	087321016	2	TAPTITE, CUP S M3X10	

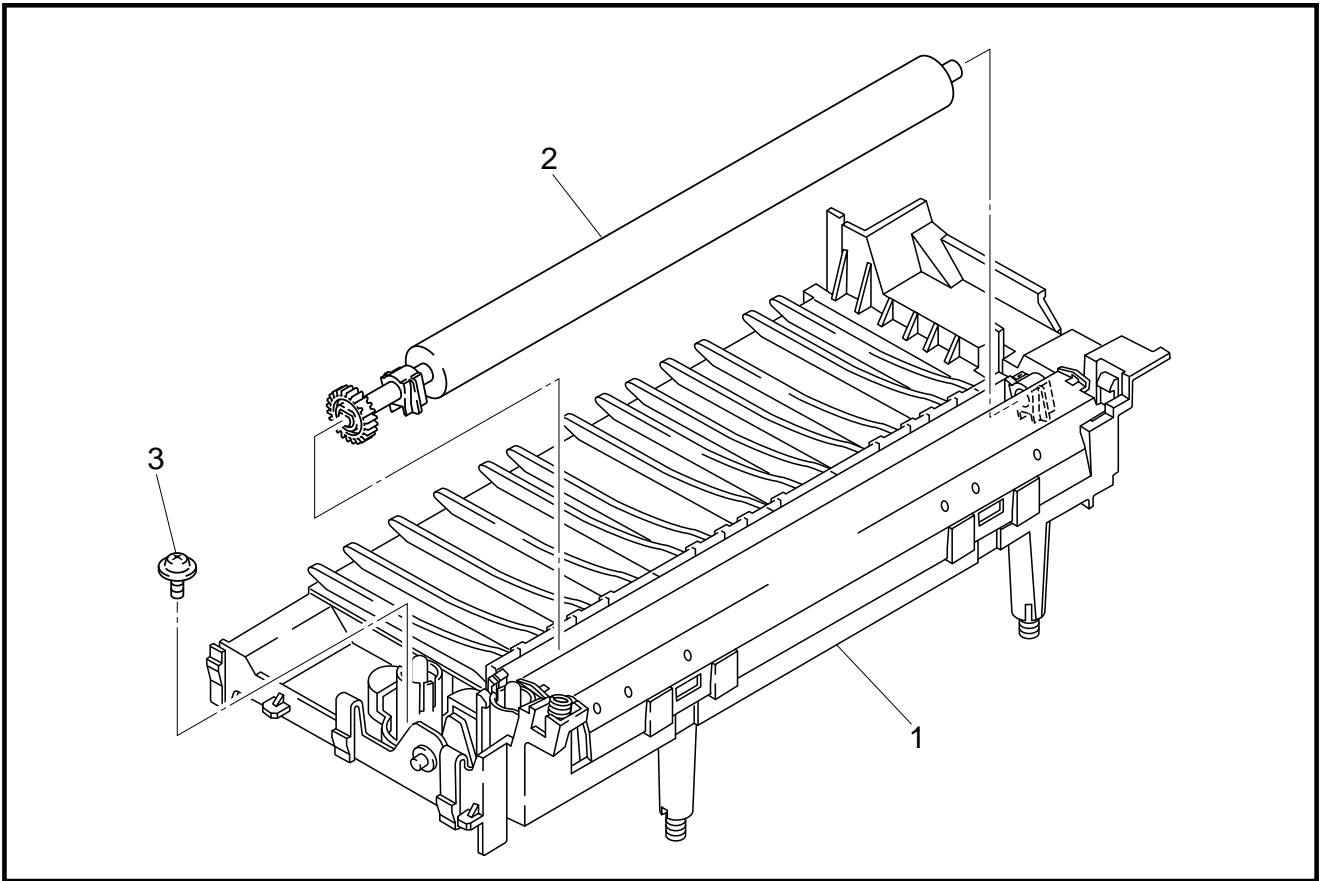
MODEL HL-1260E 54T-U01-400

10 .CHASSIS

REF.NO.	CODE	Q'TY	DESCRIPTION	REMARKS
1	UH2229001	1	CARTRIDGE STOPPER ASSY	
2	UH2233001	1	DC GEAR HOLDER ASSY	
3	UH2786001	1	DC MOTOR ASSY (SP)	
4	087320616	3	TAPTITE, CUP S M3X6	
5	UH2238000	1	GEAR 39	
6	UH2239000	1	GEAR 20/50	
7	UH2240000	1	GEAR 24/72	
8	UH2241000	1	GEAR 22/55	
9	UH2242000	1	GEAR 48	
10	UH2243000	1	GEAR 21	
11	UH2244000	1	GEAR 28	
12	UH2245001	1	GEAR 48 SPRING	
13	026100136	1	WASHER, PLAIN S 10	
14	UH2255001	1	PAPER DELIVERY GEAR ASSY	
15	U74234001	4	TAPTITE, CUP M4X5	
16	UH2250001	1	PAPER DELIVERY HOLDER SPRING	
17	UH2252000	1	SPACER 2	
18	UH2254000	2	SPACER 1	
19	T31242001	2	SPACER F	

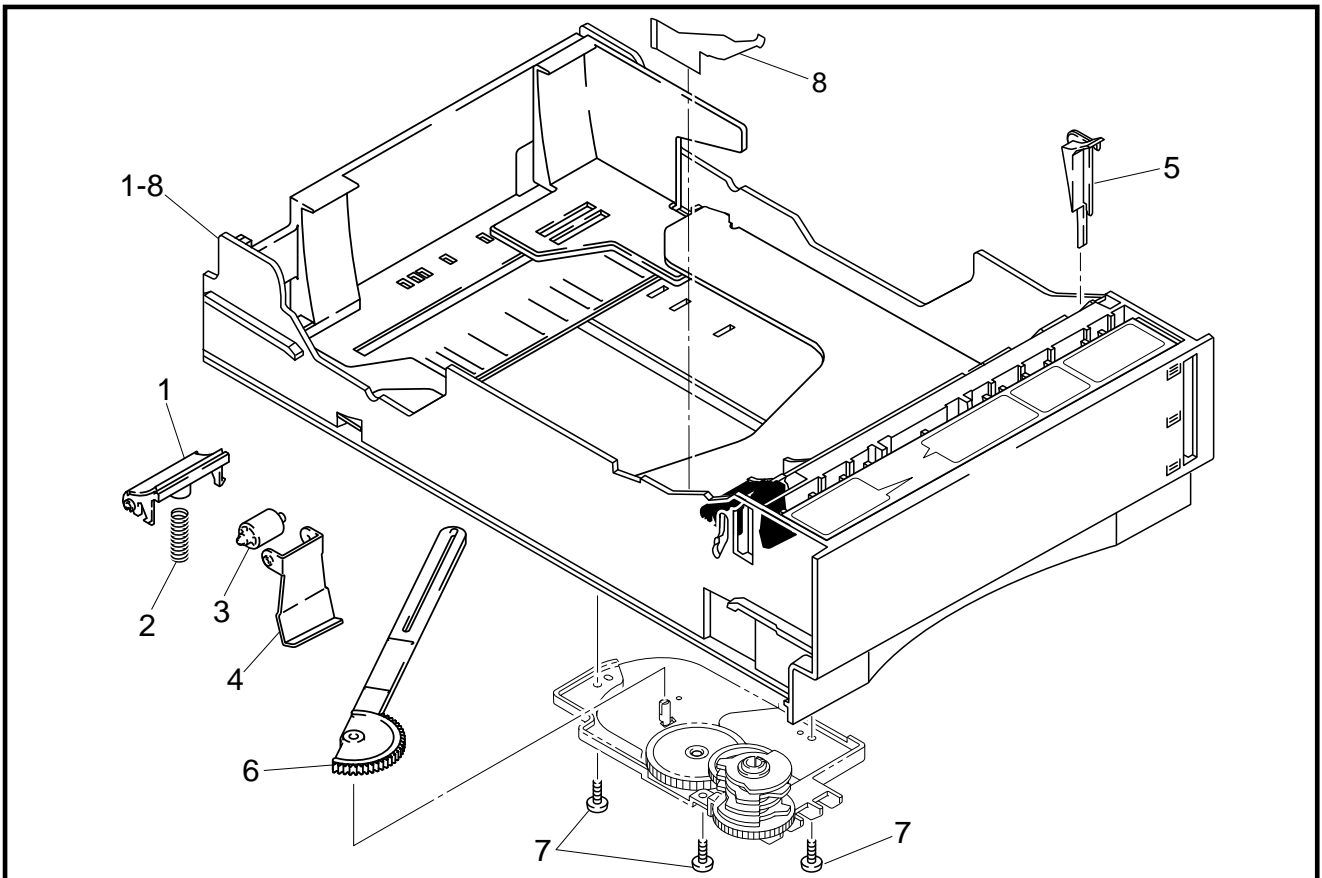
MODEL HL-1260E 54T-U01-500

11 . TRANSFER



MODEL HL-1260E 54T-U01-600

12 . PAPER TRAY



MODEL HL-1260E 54T-U01-650

11 .TRANSFER

REF.NO.	CODE	Q'TY	DESCRIPTION	REMARKS
1	UH2787001	1	TRANSFER BASE ASSY (SP)	
2	UH2788001	1	TRANSFER ROLLER ASSY (SP)	
3	087321016	1	TAPTITE, CUP S M3X10	

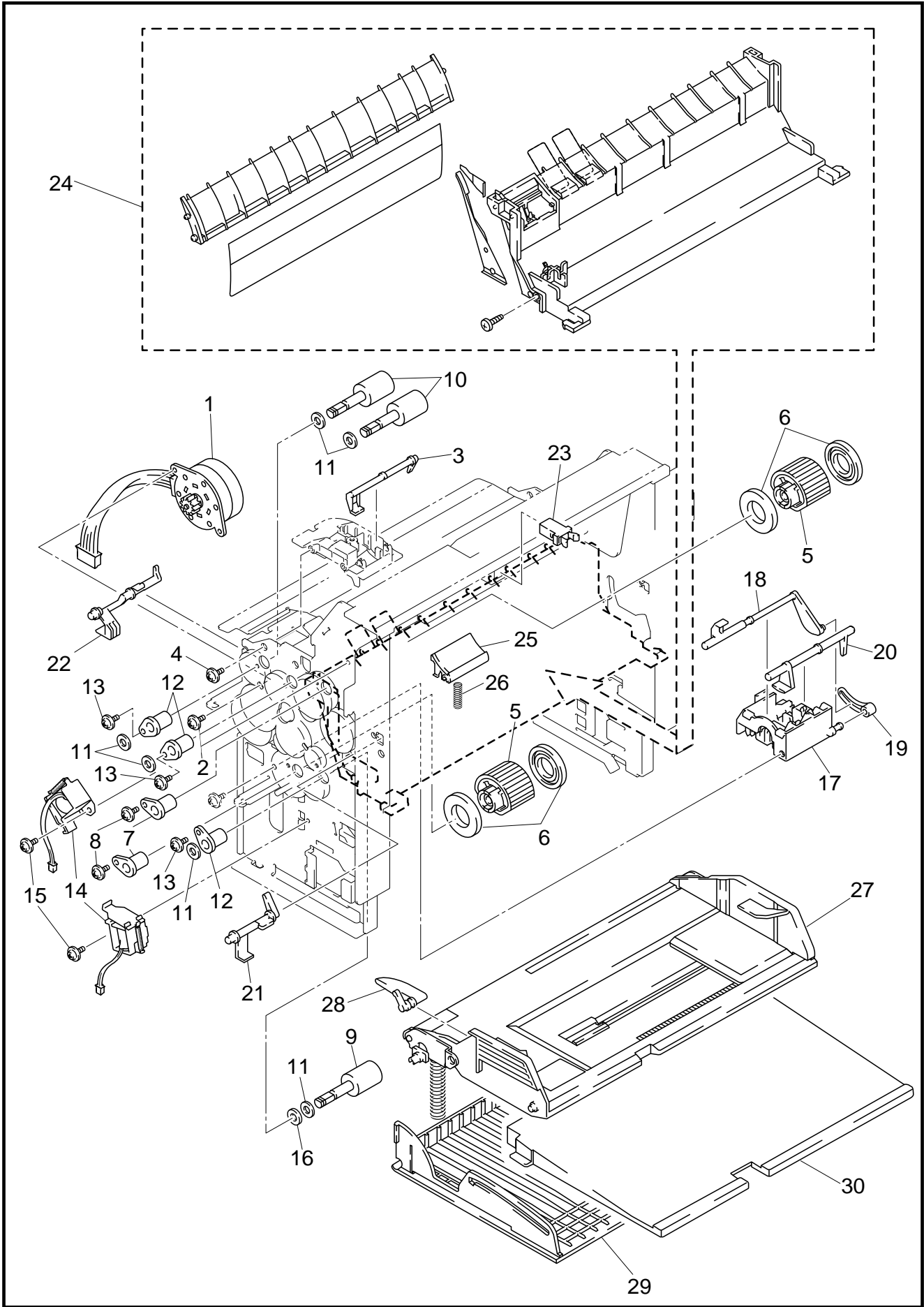
MODEL HL-1260E 54T-U01-600

12 .PAPER TRAY

REF.NO.	CODE	Q'TY	DESCRIPTION	REMARKS
1-8	UH2806001	1	PAPER TRAY UNIT US (SP), USA	
1-8	UH2799001	1	PAPER TRAY UNIT EC (SP), EUR	
1-8	UH2802001	1	PAPER TRAY UNIT CA (SP), CAN	
1	UH2487001	1	SEPARATION PAD ASSY T	
2	UH2490001	1	SEPARATION PAD SPRING T	
3	UH2360000	1	ROLLER	
4	UH2459000	1	ROLLER HOLDER	
5	UH2469000	1	PAPER FRONT GUIDE, BLUE6155	
6	UH2463001	1	GEAR 56T LINK	
7	085310815	3	TAPTITE, BIND B M3X8	
8	UH2472001	1	TRAY GUIDE PLATE 1	

MODEL HL-1260E 54T-U01-650

13. PAPER FEEDER



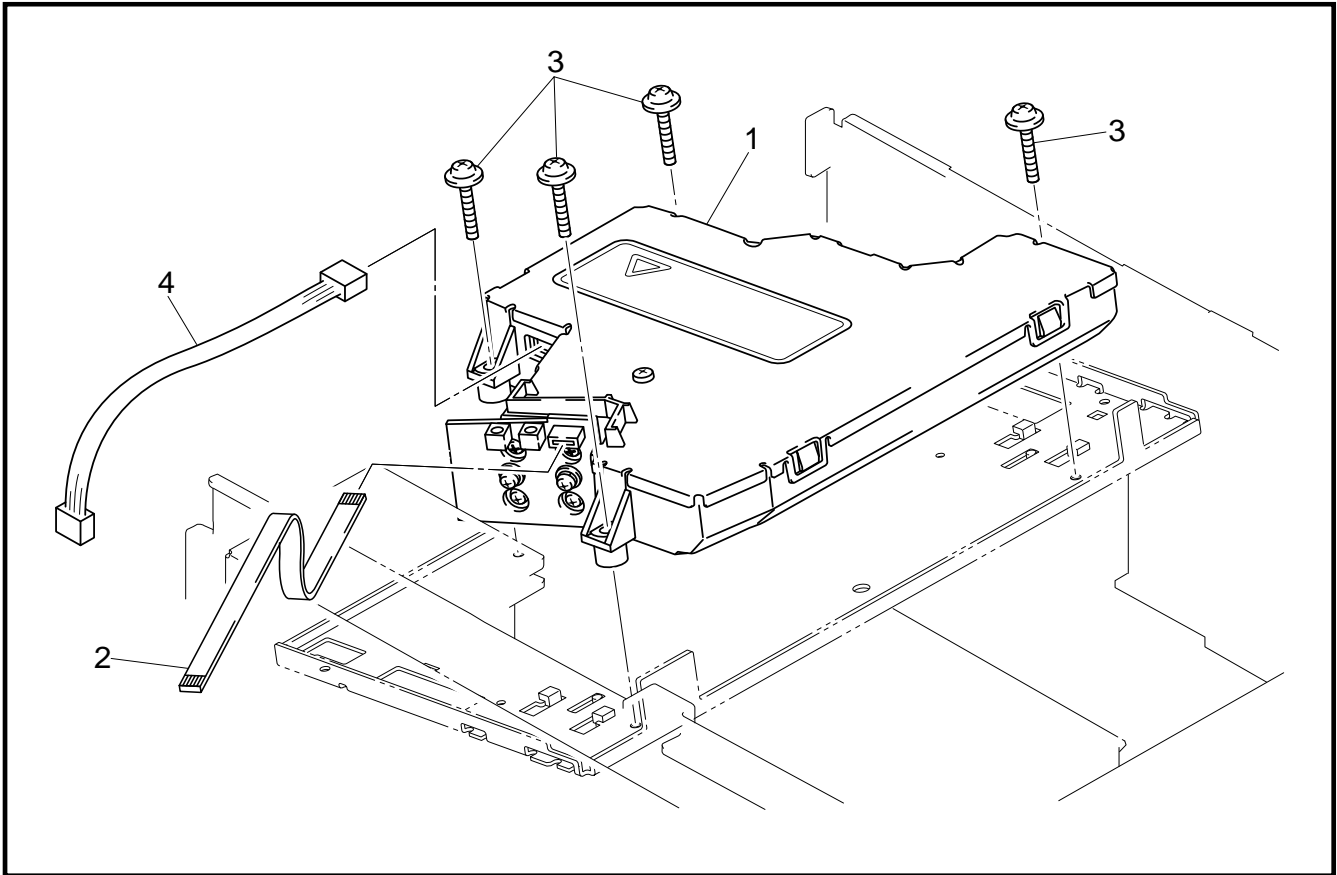
MODEL HL-1260E 54T-U01-630

13 . PAPER FEEDER

REF.NO.	CODE	QTY	DESCRIPTION	REMARKS
1-30	UH2796001	1	PAPER FEED CHASSIS UNIT (SP) (WITH SW PCB/SW SPRING/SCREW)	
1	UH2357001	1	PAPER FEED MOTOR ASSY	
2	087320616	2	TAPTITE, CUP S M3X6	
3	UH2359000	1	MP PAPER DETECTION ACTUATOR	
4	085310815	2	TAPTITE, BIND B M3X8	
5	UH2362001	2	PAPER PICK-UP ROLLER ASSY	
6	UH2364000	4	PAPER PICK-UP ROLLER COLLAR	
7	UH2366000	2	BEARING	
8	085320616	2	TAPTITE, BIND S M3X6	
9	UH2416001	1	PAPER FEED ROLLER ASSY 60	
10	UH2367001	2	PAPER FEED ROLLER ASSY 70	
11	UL0633000	6	WASHER, PLAIN	
12	UH2366000	3	BEARING	
13	085320616	3	TAPTITE, BIND S M3X6	
14	UH2369001	2	PAPER PICK-UP SOLENOID	
15	085320416	2	TAPTITE, BIND S M3X4	
16	UH2428000	1	BEARING CALLOR	
17	UH2379000	1	TRAY SENSOR HOLDER	
18	UH2380000	1	PE SENSOR ACTUATOR TRAY	
19	UH2381000	1	PE ACTUATOR LINK	
20	UH2382000	1	DU DETECTION ACTUATOR	
21	UH2383000	1	PE SENSOR ACTUATOR MP	
22	UH2384000	1	REGIST SENSOR ACTUATOR	
23	UH2136001	1	LATCH	
24	UH2797001	1	MP PAPER FEED GUIDE ASSY (SP)	
25	UH2393001	1	SEPARATION PAD ASSY	
26	UH2433001	1	SEPARATION PAD SPRING MP	
27	UH2397001	1	MP TRAY ASSY	
28	UH2400000	1	MP PE SUB ACTUATOR	
29	UH2406000	1	MP TRAY COVER	
30	UH2407000	1	MP EXTENSION TRAY	

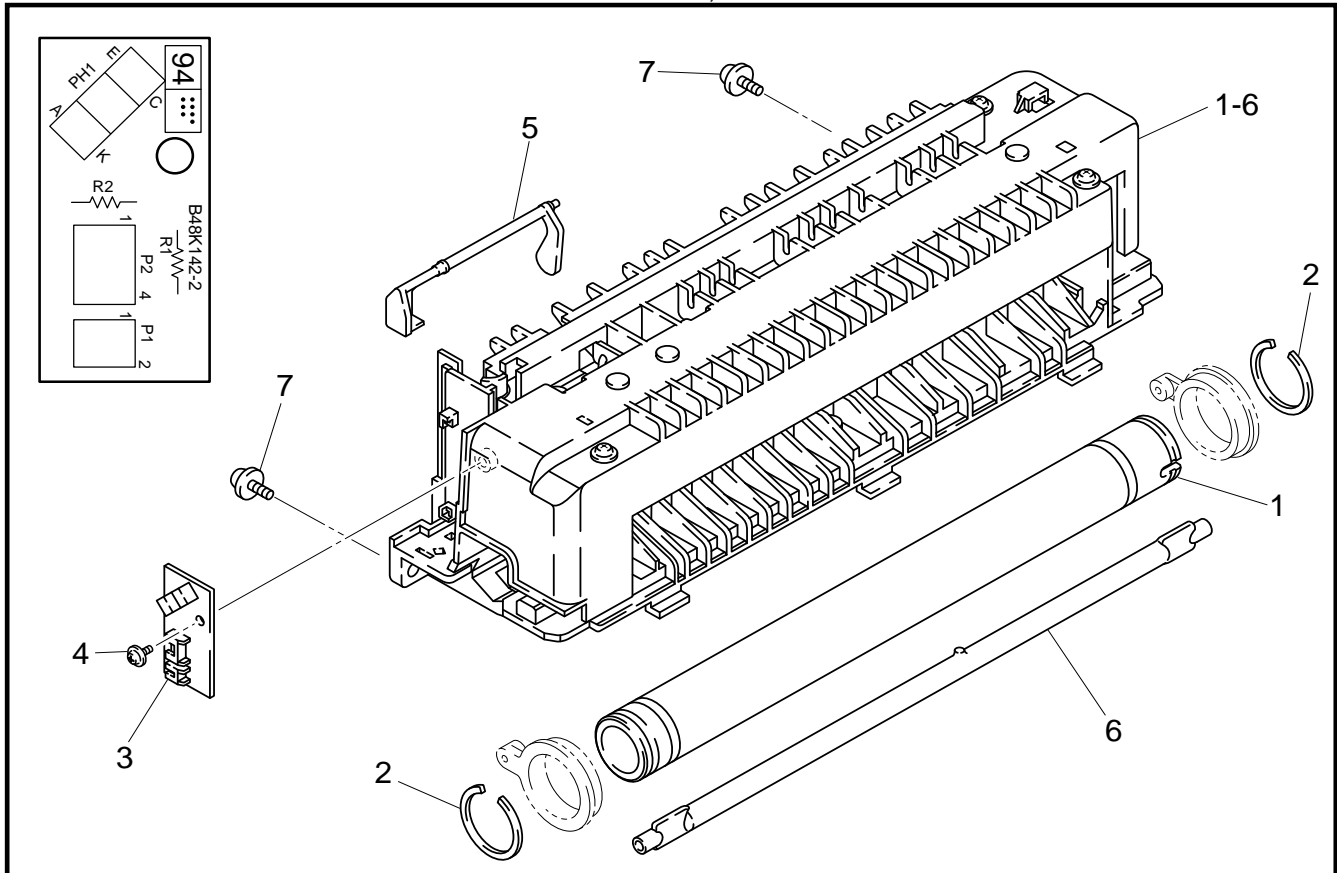
MODEL HL-1260E 54T-U01-630

14 . SCANNER



MODEL HL-1260E 54T-U01-700

15 . FIXING UNIT, 120V/230V



MODEL HL-1260E 54T-U01-770/771

14 . SCANNER

REF.NO.	CODE	Q'TY	DESCRIPTION	REMARKS
1	UH2790001	1	SCANNER UNIT ASSY A (SP)	
2	UK2503000	1	SCN FLAT CABLE 6P	
3	087321616	4	TAPTITE, CUP S M3X16	
4	UK2504001	1	SCN HARNESS 4P	

MODEL HL-1260E 54T-U01-700

15 . FIXING UNIT, 120V/230V

REF.NO.	SYMBOL	CODE	Q'TY	DESCRIPTION	REMARKS
1-6		UH2791001	1	FIXING UNIT, 120V (SP)	
1-6		UH2792001	1	FIXING UNIT, 230V (SP)	
1		UH2793001	1	HEAT ROLLER (SP)	
2		UH2608001	2	RETAINING RING, 25	
3	B48K142-200	UK2451001	1	FIXING PCB ASSY	
4		085310815	1	TAPTITE, BIND B M3X8	
5		UH2623001	1	PAPER DELIVERY ACTUATOR	
6		UH2794001	1	HALOGEN HEATER, 120V (SP)	
6		UH2795001	1	HALOGEN HEATER, 230V (SP)	
7		087421015	2	TAPTITE, CUP S M4X10	

MODEL HL-1260E 54T-U01-770/771

16 . DOCUMENTS

REF.NO.	CODE	Q'TY	DESCRIPTION	REMARKS
1	UK3208001	1	PR DRIVER DISK #1, HL-1260E (FIRST PART 1/2)	
2	UK3210001	1	PR DRIVER DISK #2, HL-1260E (LATTER PART 2/2)	
3	UK3198001	1	OP EXPLANATION DISK, ENG HL-1260E	
3	UK3204001	1	OP EXPLANATION DISK, DEU HL-1260E	
3	UK3200001	1	OP EXPLANATION DISK, FRA HL-1260E	
3	UK3202001	1	OP EXPLANATION DISK, NLD HL-1260E	
3	UK3206001	1	OP EXPLANATION DISK, NOR HL-1260E	
4	UH2808001	1	USER'S MANUAL, ENG (SP)	
4	UH2811001	1	USER'S MANUAL, DEU (SP)	
4	UH2809001	1	USER'S MANUAL, FRA (SP)	
4	UH2810001	1	USER'S MANUAL, NLD (SP)	
4	UH2812001	1	USER'S MANUAL, NOR (SP)	
5	UK3193001	1	PR DRIVER SET UP, ENG HL-1260E	
5	UK3196001	1	PR DRIVER SET UP, DEU HL-1260E	
5	UK3194001	1	PR DRIVER SET UP, FRA HL-1260E	
5	UK3195001	1	PR DRIVER SET UP, NLD HL-1260E	
5	UK3197001	1	PR DRIVER SET UP, NOR HL-1260E	
6	UL5532001	1	WARRANTY CARD, USA	
6	UH2693001	1	WARRANTY CARD, CAN	
6	UD4086001	1	WARRANTY CARD, GBR.ENGLISH	
6	UH1119001	1	WARRANTY CARD, FRA	
6	237703001	1	WARRANTY CARD, DUTCH	
7	UL5533001	1	SERVICE CARD 2, USA	
8	UH1392001	1	EPA INSERTION SHEET, USA	
9	UE0331001	1	BAG, 215X350H (USER'S MANUAL)	
10	163528001	1	CAUTION LABEL, BS	
11	UK3216001	1	CORE:SFC-10 ASSY	

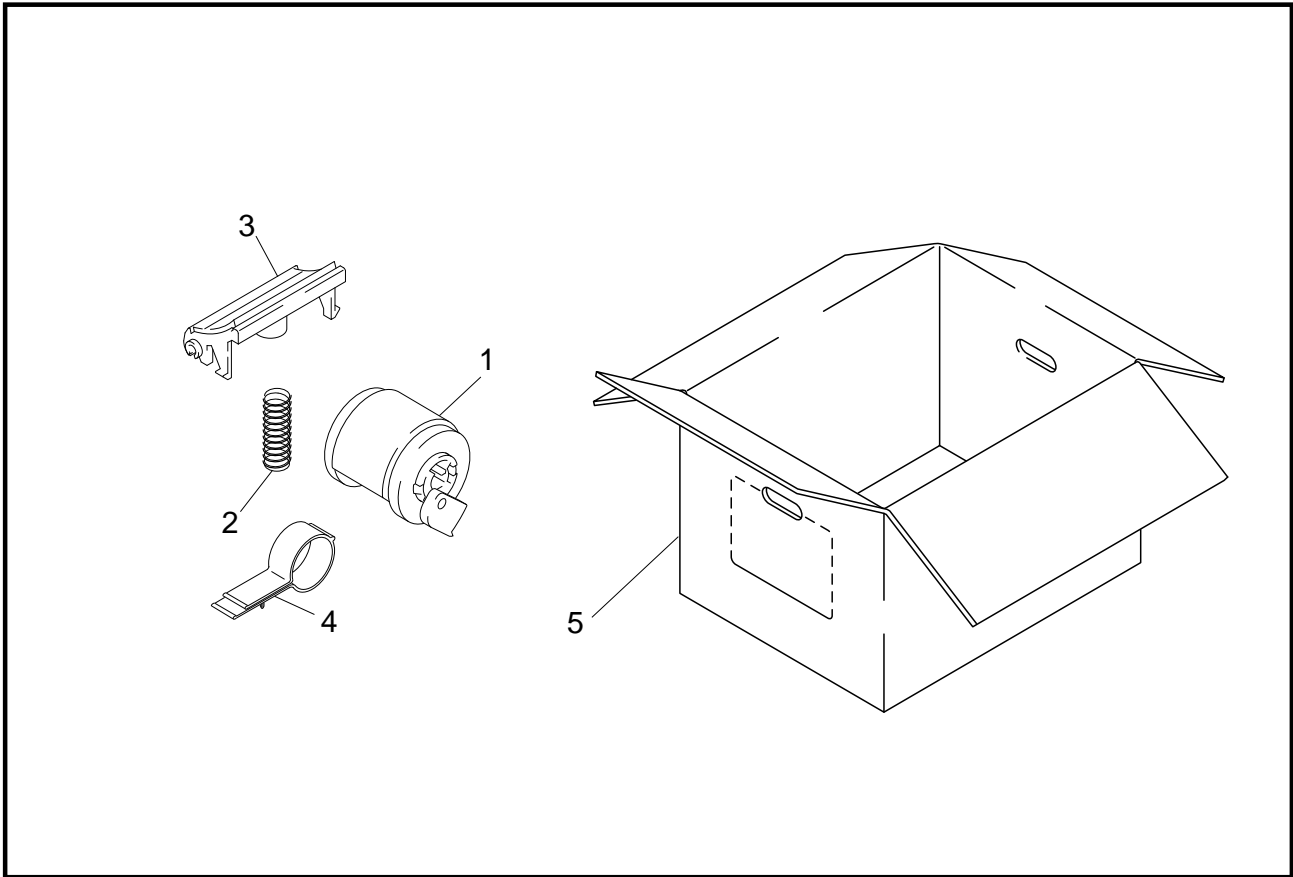
MODEL HL-1260E 54T-U01-920

17 . PACKING MATERIALS

REF.NO.	CODE	Q'TY	DESCRIPTION	REMARKS
1	UE0490001	1	CARTON, US W/EP-ED HL-1260E	
1	UE0491001	1	CARTON, EU W/EP-ED HL-1260E	
2	UE0370000	1	STYROFOAM PAD ASSY	
3	UE0374000	1	CARTON, TNR CARTRIDGE (W/CARTRIDGE)	
3	UE0476000	1	CARTON, TNR CARTRIDGE (W.O/CARTRIDGE)	
4	UE0376000	1	STYROFOAM PAD (PLATE HOLDER)	
5	UH2735001	1	RELEASE SPACER R	
6	UH2736001	1	RELEASE SPACER L	
7	UE0396000	1	PAD (CONTROL PANEL)	
8	UE0477000	1	BAG, 900X800 (BODY)	
8	U63969000	1	BAG, 900X800 BS W/HOLE (BODY)	
9	U62092001	1	CAUTION LABEL 24, US	
9	163528001	1	CAUTION LABEL, BS	
10	U04510001	1	IMPORTER LABEL, CAN	
11	X60267002	1	RECYCLE LABEL, DEU/FRA	
12	UH2743001	1	BAR CODE LABEL, 524236 UPC USA 1260E	
12	UH2744001	1	BAR CODE LABEL, 525480 EAN EU 1260E	
13	UE0405000	1	PAD (LETTER SIZE TRAY)	
13	UE0406000	1	PAD (A4 SIZE TRAY)	
14	UE0425001	1	POSITION FIXING SPONGE	
15	UH2741001	1	INSERTION SHEET	

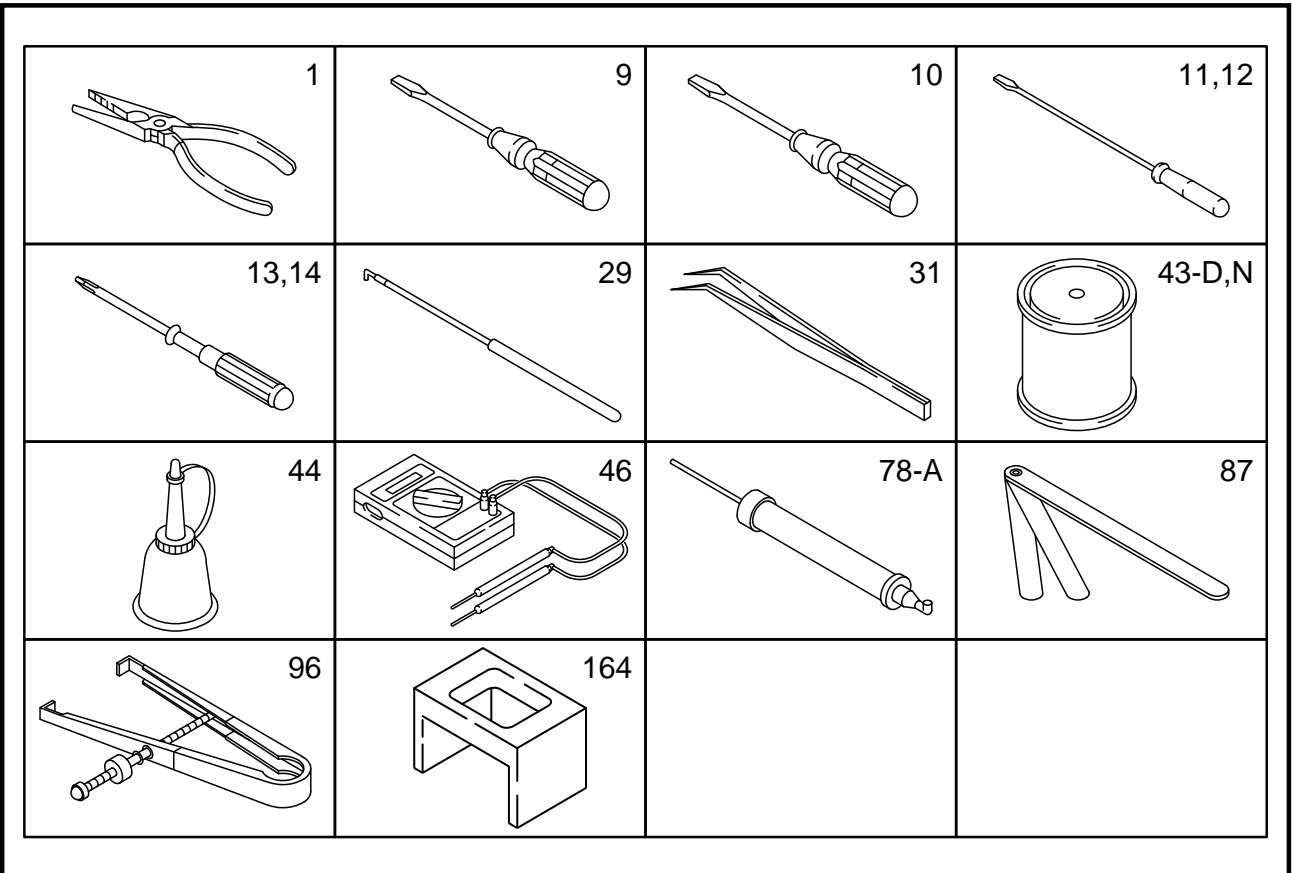
MODEL HL-1260E 54T-U01-930

18 . OPTIONAL PARTS SET



MODEL HL-1260E 54T-U01-940

19 . ADJUSTING TOOL KIT



MODEL HL-1260E 54T-U01-99A

18 . OPTIONAL PARTS SET

REF.NO.	CODE	Q'TY	DESCRIPTION	REMARKS
1	UH2803001	1	PAPER PICK-UP ROLLER UNIT (SP)	
2	UH1778000	1	SEPARATION PAD SPRING DX (SP)	
3	UH1772001	1	SEPARATION PAD DX ASSY (SP)	
4	UH2804001	1	ADJUST KNOB STOPPER (SP)	
5	UE0368001	1	CARTON, US W/EP-ED HL-1260 (SP)	
5	UE0369001	1	CARTON, EU W/EP-ED HL-1260 (SP)	

MODEL HL-1260E 54T-U01-940

19. ADJUSTING TOOL KIT

TOOL NO.	TOOL NAME
ZX-1	PLIERS (150MM)
ZX-9	SCREWDRIVER (75MM)
ZX-10	SCREWDRIVER (70MM)
ZX-11	SCREWDRIVER (4.7X270MM)
ZX-12	SCREWDRIVER (6.2X200MM)
ZX-13	SCREWDRIVER, PHILLIPS (NO-1)
ZX-14	SCREWDRIVER, PHILLIPS (NO-2)
ZX-29	HOOK FOR SPRING
ZX-31	TWEEZERS (150MM)
ZX-43D	LUBRICATING GREASE(SILICON G,KS64F 0.1KG)
ZX-43N	LUBRICATING GREASE(MOLYKOTE EM-30L TKC-0)1KG
ZX-44	OILER
ZX-46	TESTER (MD-200C)
ZX-78A	BAR TENSION GAUGE (0.1-5KG)
ZX-87	THICKNESS GAUGE (0.28-0.38MM)
ZX-96	IC PULL OUT (P42)
ZX-164	PF UNIT SETTING JIG

MODEL HL-1260 E 54T-U01-99A

