



FACSIMILE EQUIPMENT

PARTS REFERENCE LIST

MODEL: FAX-T72 / T74 / T76

**(For Germany / United Kingdom / France /
Norway / Belgium / Netherlands /
Switzerland / Ireland / Finland / Denmark /
Austria / Spain / Italy / South Africa /
Sweden / Euro Generic)**

© Copyright Brother 2000

All rights reserved

No part of this publication may be reproduced in any form
or by any means without permission in writing from the
publisher.

Specifications are subject to change without prior notice.

NOTES FOR USING THIS PARTS REFERENCE LIST

1. In the case of ordering parts, it needs mentioning the following items:

- (1) Code
- (2) Q' ty
- (3) Description

Note: No orders without Parts Code or Tool No. can be accepted.

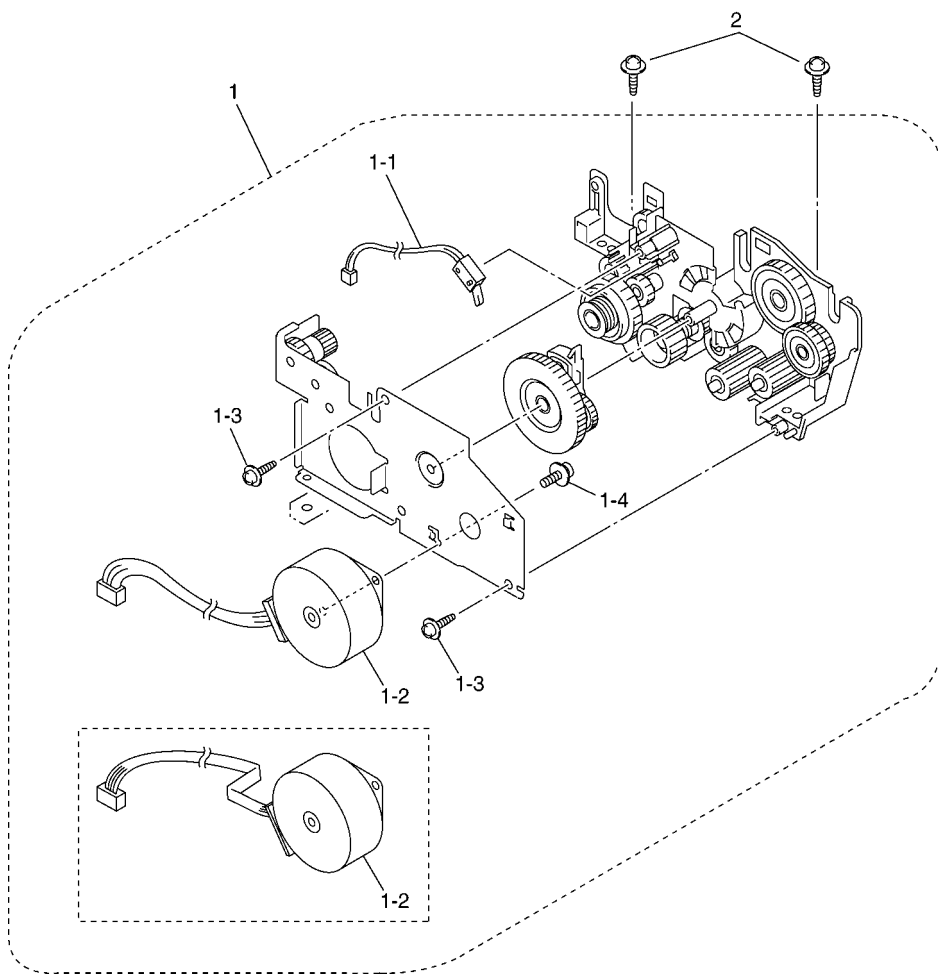
[Example]

REF.NO.	CODE	Q' TY	DESCRIPTION	REMARKS

2. Parts change will be informed by the technical information.

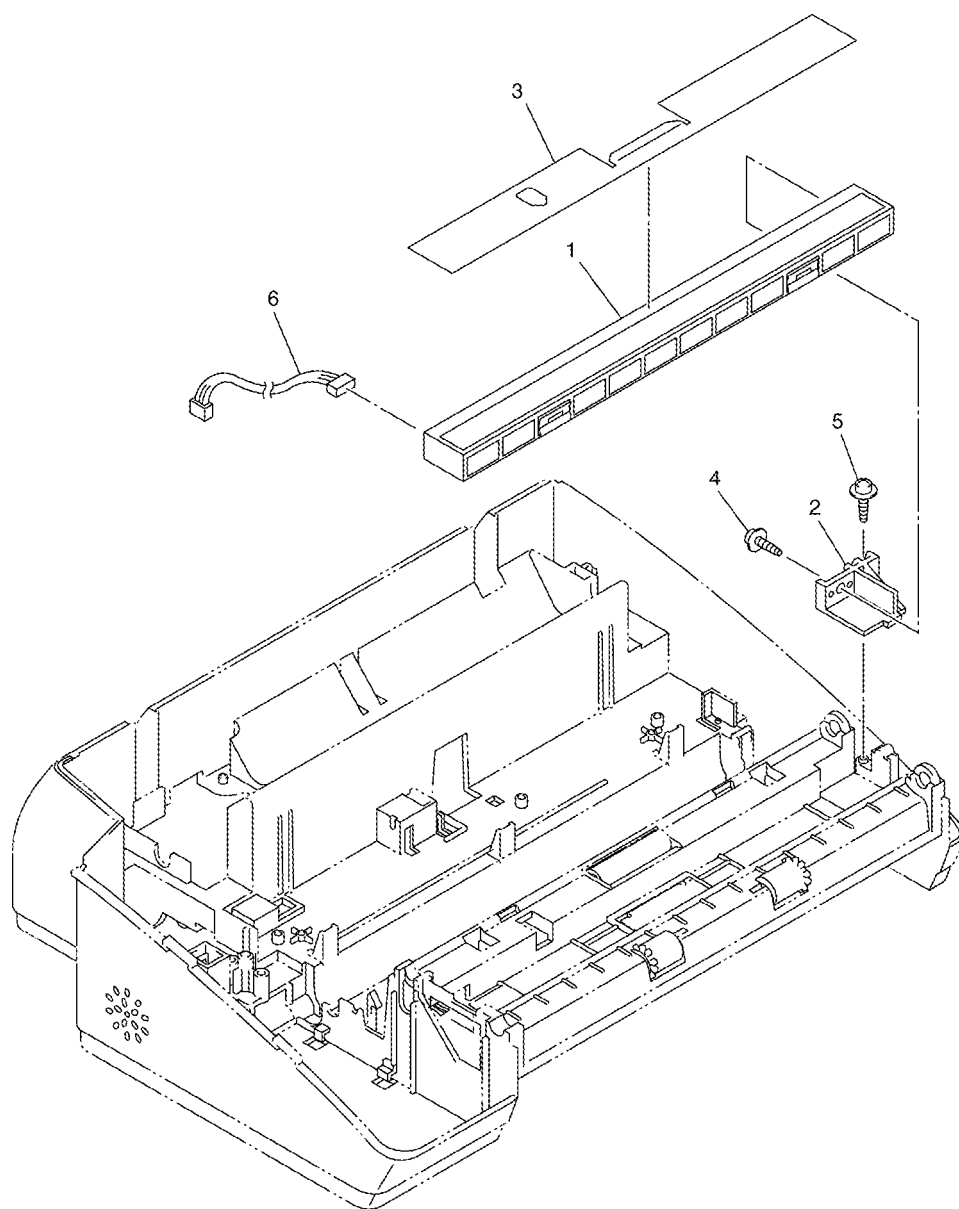
COUNTRIES

GERMANY ----- GER
UNITED KINGDOM ----- UK
FRANCE ----- FRA
NORWAY ----- NOR
BELGIUM ----- BEL
NETHERLANDS ----- NLD
SWITZERLAND ----- CHE
IRELAND ----- IRE
FINLAND ----- FIN
DENMARK ----- DEN
AUSTRIA ----- AUT
SPAIN ----- SPA
ITALY ----- ITA
SOUTH AFRICA ----- ZAF
SWEDEN ----- SWE
EURO GENERIC ----- GNR



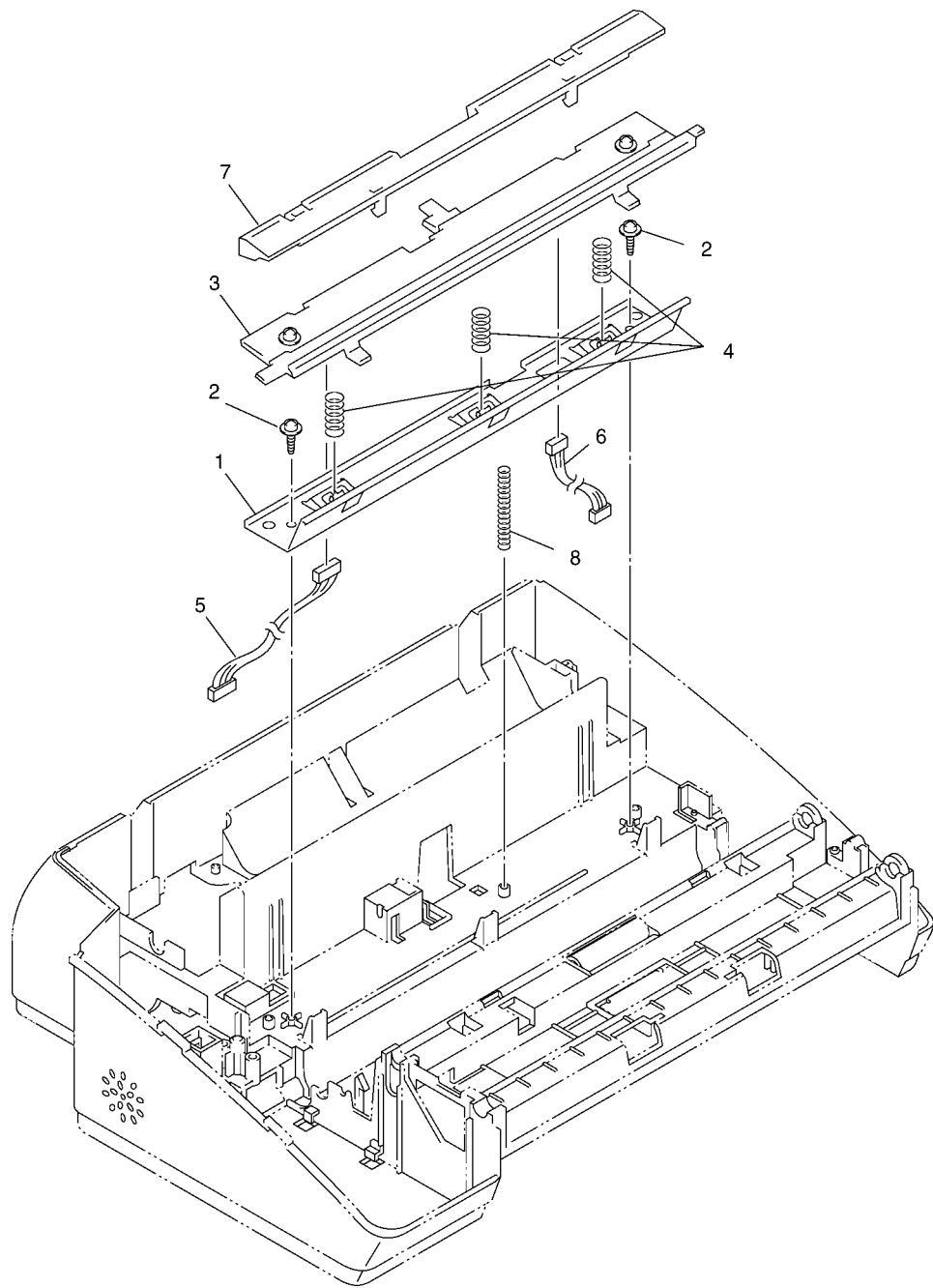
LIST1 (DRIVING)

REF No.	CODE	QTY	DESCRIPTION	REMARKS
1	LE4001001	1	DRIVE UNIT	
1-1	LG2581001	1	ARM HP SWITCH ASSY	
1-2	LE4028001	1	MOTOR WITH HARNESS	
1-3	087310815	2	TAPTITE, CUP B M3X8	
1-4	U09759001	1	SCREW, PAN (S/P WASHER) M3X6	
2	087311016	2	TAPTITE, CUP B M3X10	



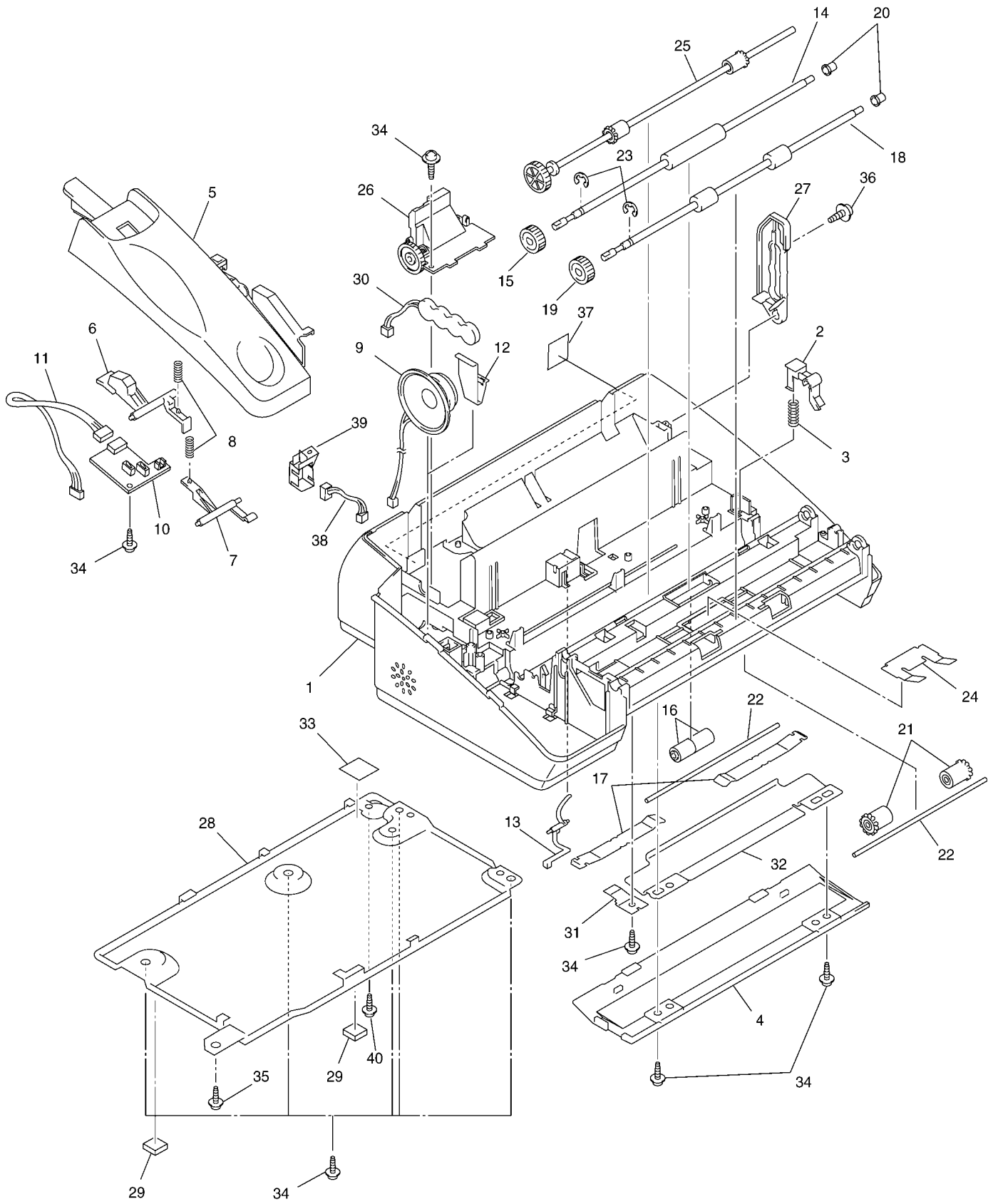
LIST2 (SCANNING)

REF No.	CODE	QTY	DESCRIPTION	REMARKS
1	LG2629001	1	CIS UNIT	
2	LE4029001	1	CIS HOLDER	
3	LE4030001	1	CIS FILM(BLACK)	
4	085310815	1	TAPTITE, BIND B M3X8	
5	087310815	1	TAPTITE, CUP B M3X8	
6	LG2557001	1	CIS-MAIN HARNESS	



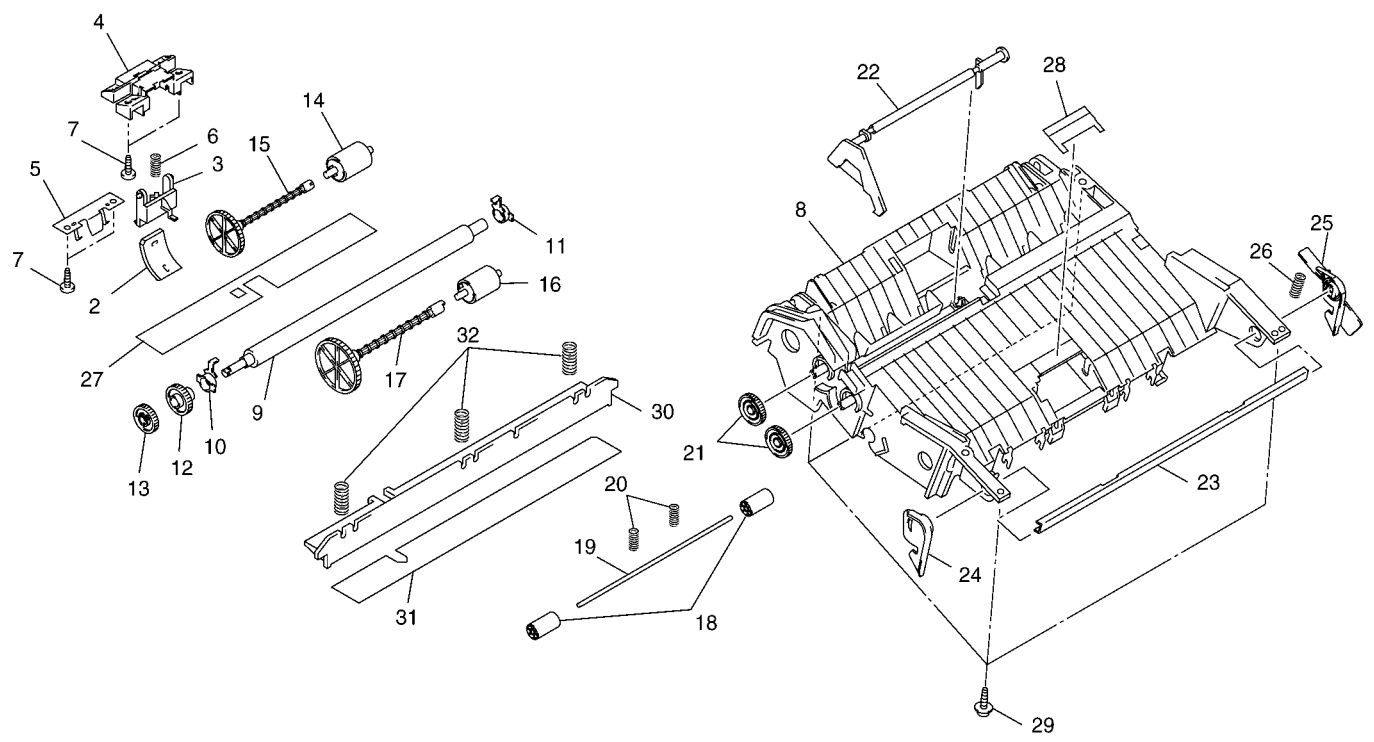
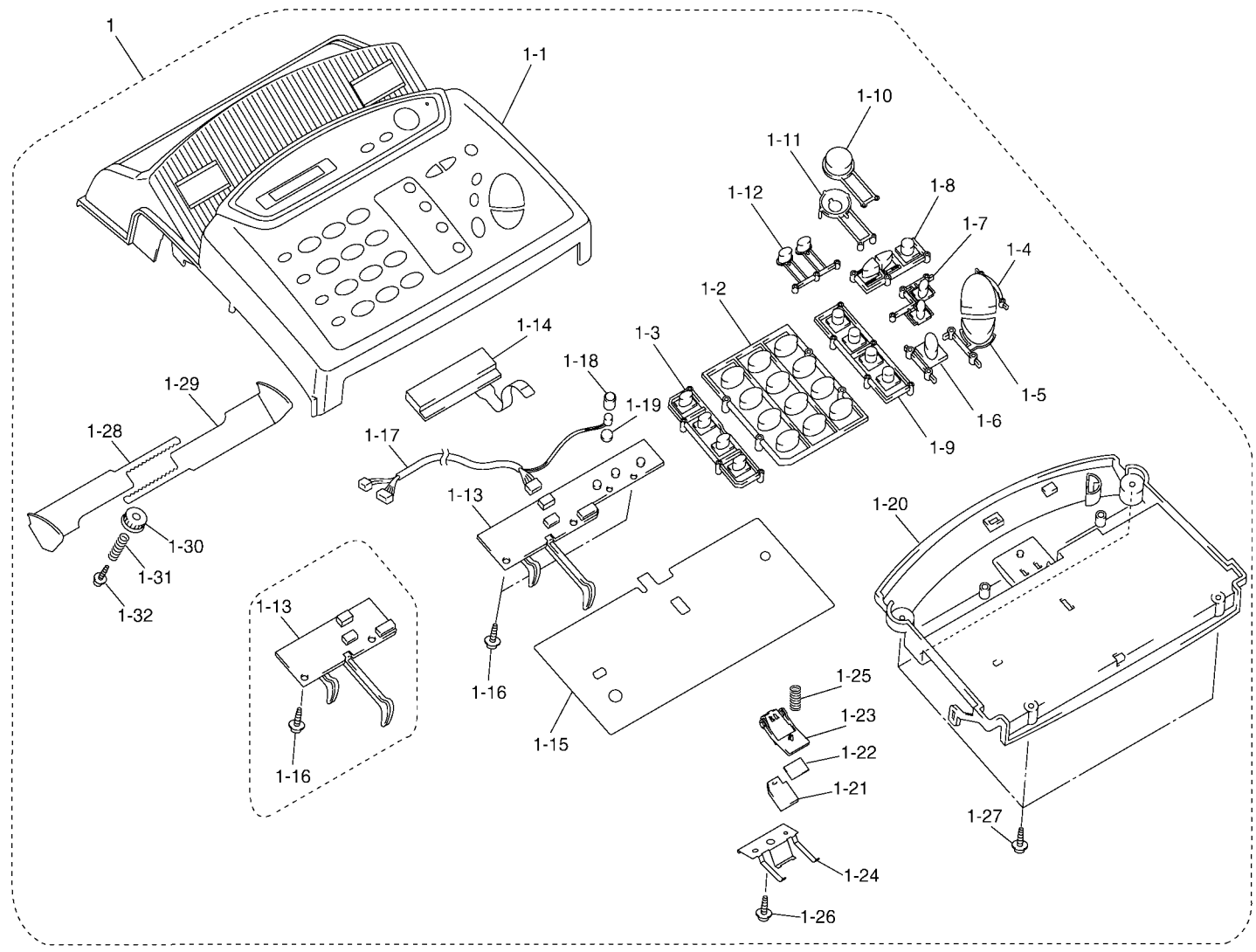
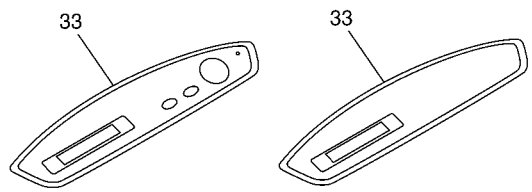
LIST3 (RECORDING)

REF No.	CODE	Q'TY	DESCRIPTION	REMARKS
1	LE4031001	1	RECORDER FRAME	
2	087310815	2	TAPTITE, CUP B M3X8	
3	UF9852001	1	RECORDING HEAD ASSY	
4	UF8072001	3	HEAD SPRING	
5	LG2779001	1	MAIN-HEAD HARNESS, FAX-T72/T74	
5	LG2558001	1	MAIN-HEAD HARNESS, FAX-T76	
6	LG2559001	1	HEAD-POWER HARNESS	
7	UF9856001	1	HEAD PROTECTOR	
8	LE4034001	1	GROUNDING SPRING	



LIST4 (COVER)

REF No.	CODE	Q'TY	DESCRIPTION	REMARKS
1	LE4309002	1	MAIN FRAME, FAX-T72	
1	LE4035002	1	MAIN FRAME, FAX-T74	
1	LE4156002	1	MAIN FRAME, FAX-T76	
2	LE4036001	1	RIBBON SHAFT STOPPER	
3	LE4037001	1	RIBBON STOPPER SPRING	
4	LE4038002	1	LOWER COVER	
5	LE4326002	1	DUMMY MOUNT, FAX-T72	
5	LE4039003	1	HANDSET MOUNT, FAX-T74/T76	
6	LE4040002	1	HOOK SWITCH ACTUATOR, FAX-T74/T76	
7	LE4041001	1	COVER SENCER ACTUATOR(BLACK)	
8	LE4042001	1	ACTUATOR SPRING, FAX-T72	
8	LE4042001	2	ACTUATOR SPRING, FAX-T74/T76	
9	LG2630001	1	SPEAKER	
10	LG2576001	1	SENSOR PCB ASSY	
11	LG2778001	1	SENSOR-MAIN HARNESS, FAX-T72/T74	
11	LG2560001	1	SENSOR-MAIN HARNESS FAX-T76	
12	UF9847001	1	SPEAKER SUPPORT SPRING	
13	LE4043001	1	RIBBON SENCER ACTUATOR	
14	LE4044001	1	DOCUMENT LF ROLLER	
15	LE4047001	1	GEAR, 23	
16	LE4501001	2	DOCUMENT PINCH ROLLER	
17	LE4048001	2	PINCH ROLLER SPRING	
18	LE4049001	1	DOCUMENT EJECTION ROLLER ASSY	
19	LE4047001	1	GEAR, 23	
20	UF9949001	2	ROLLER BUSHINGS	
21	UL6244002	2	DOCUMENT PRESSURE ROLLER	
22	UF6267000	2	PRESSURE ROLLER SHAFT	
23	048050346	2	RETAINING RING	
24	LE4051001	1	DOCUMENT PRESSURE ROLLER SPRING	
25	LE4052001	1	PAPER EJECTION ROLLER	
26	LE4054001	1	ROM COVER	
27	LE4061001	1	COVER STOPPER LINK	
28	LE4062001	1	BOTTOM PLATE	
29	UF6761001	2	RUBBER FOOT	
30	LG2861001	1	BATTERY ASSY, FAX-T76	
31	LE4204001	1	CIS SPRING	
32	LE4205001	1	SUPPORT PLATE	
33	LE4214001	1	INSULATION FILM	
34	087310815	10	TAPTITE, CUP B M3X8	
35	U24014002	1	TAPTITE, CUP S M3.0X6	
36	LE4199001	1	TAPTITE, PAN B M4X6D10	
37	LE0542002	1	PCIF FILM, FAX-T76	
38	----		NOT USED	
39	----		NOT USED	
40	UF4444001	1	SCREW, PAN(P WASHER) M4X6	
(41)	UF5745000	1	MJ COVER, FOR GER	

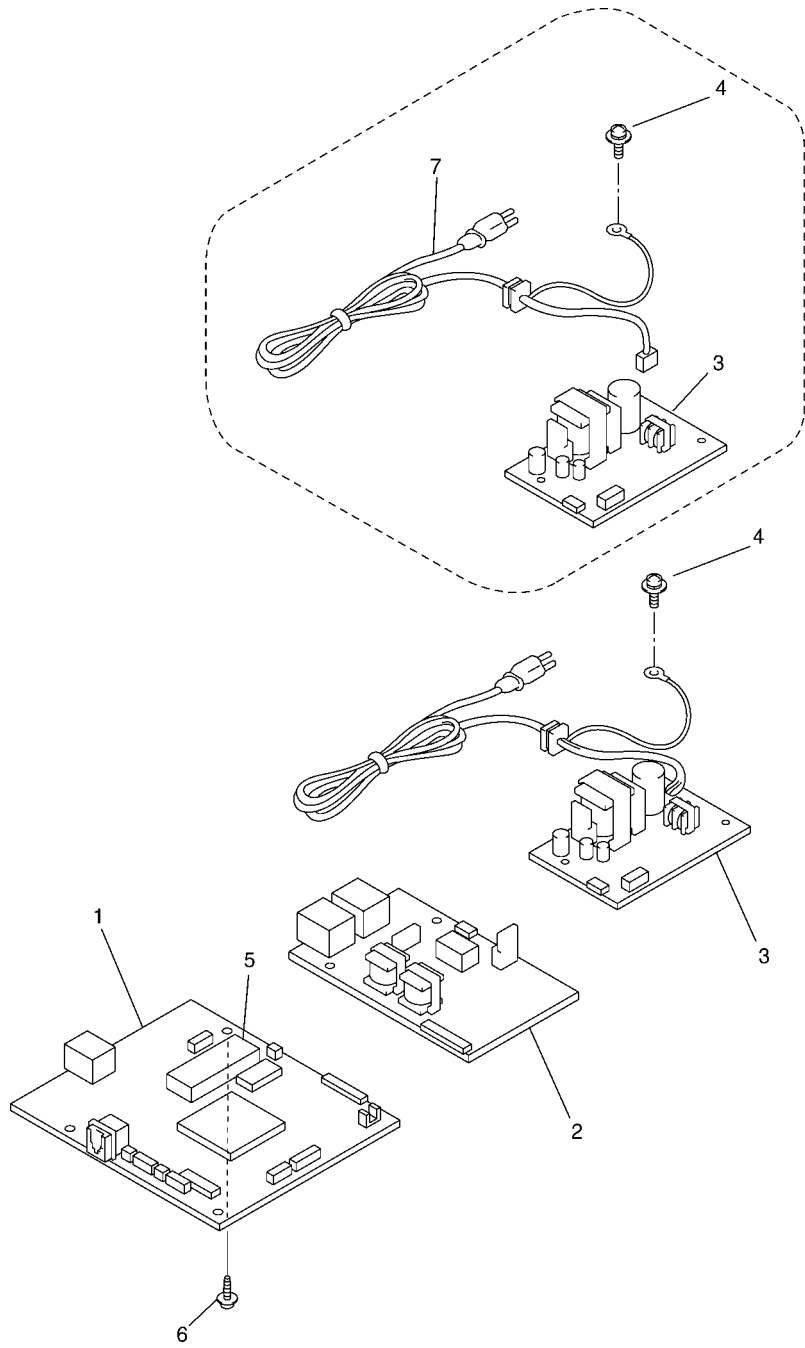


LIST5 (CONTROL PANEL)

REF No.	CODE	Q'TY	DESCRIPTION	REMARKS
1	LE4329003	1	CONTROL PANEL ASSY, FAX-T72 FOR GER	
1	LE4379003	1	CONTROL PANEL ASSY, FAX-T72 FOR FRA	
1	LE4430003	1	CONTROL PANEL ASSY, FAX-T72 FOR CHE	
1	LE4542003	1	CONTROL PANEL ASSY, FAX-T72 FOR SPA	
1	LE4383003	1	CONTROL PANEL ASSY, FAX-T74 FOR GER/AUT	
1	LE4389003	1	CONTROL PANEL ASSY, FAX-T74 FOR UK/CHE/IRE/ZAF/GNR	
1	LE4393003	1	CONTROL PANEL ASSY, FAX-T74 FOR FRA	
1	LE4434003	1	CONTROL PANEL ASSY, FAX-T74 FOR NOR	
1	LE4436003	1	CONTROL PANEL ASSY, FAX-T74 FOR BEL	
1	LE4440003	1	CONTROL PANEL ASSY, FAX-T74 FOR NLD	
1	LE4446003	1	CONTROL PANEL ASSY, FAX-T74 FOR FIN	
1	LE4449003	1	CONTROL PANEL ASSY, FAX-T74 FOR DEN	
1	LE4452003	1	CONTROL PANEL ASSY, FAX-T74 FOR SPA	
1	LE4455003	1	CONTROL PANEL ASSY, FAX-T74 FOR ITA	
1	LE4459003	1	CONTROL PANEL ASSY, FAX-T74 FOR SWE	
1	LE4396003	1	CONTROL PANEL ASSY, FAX-T76 FOR GER/AUT	
1	LE4404003	1	CONTROL PANEL ASSY, FAX-T76 FOR UK/CHE/IRE/ZAF/GNR	
1	LE4407003	1	CONTROL PANEL ASSY, FAX-T76 FOR FRA	
1	LE4478003	1	CONTROL PANEL ASSY, FAX-T76 FOR NOR	
1	LE4480003	1	CONTROL PANEL ASSY, FAX-T76 FOR BEL	
1	LE4482003	1	CONTROL PANEL ASSY, FAX-T76 FOR NLD	
1	LE4485003	1	CONTROL PANEL ASSY, FAX-T76 FOR FIN	
1	LE4488003	1	CONTROL PANEL ASSY, FAX-T76 FOR DEN	
1	LE4491003	1	CONTROL PANEL ASSY, FAX-T76 FOR SPA	
1	LE4494003	1	CONTROL PANEL ASSY, FAX-T76 FOR ITA	
1	LE4497003	1	CONTROL PANEL ASSY, FAX-T76 FOR SWE	
1-1	LE4628003	1	CONTROL PANEL, FAX-T72 FOR GER	
1-1	LE4628005	1	CONTROL PANEL, FAX-T72 FOR FRA	
1-1	LE4628010	1	CONTROL PANEL, FAX-T72 FOR CHE	
1-1	LE4628015	1	CONTROL PANEL, FAX-T72 FOR SPA	
1-1	LE4629003	1	CONTROL PANEL, FAX-T74 FOR GER/AUT	
1-1	LE4629004	1	CONTROL PANEL, FAX-T74 FOR UK/CHE/IRE/ZAF/GNR	
1-1	LE4629005	1	CONTROL PANEL, FAX-T74 FOR FRA	
1-1	LE4629007	1	CONTROL PANEL, FAX-T74 FOR NOR	
1-1	LE4629008	1	CONTROL PANEL, FAX-T74 FOR BEL	
1-1	LE4629009	1	CONTROL PANEL, FAX-T74 FOR NLD	
1-1	LE4629012	1	CONTROL PANEL, FAX-T74 FOR FIN	
1-1	LE4629013	1	CONTROL PANEL, FAX-T74 FOR DEN	
1-1	LE4629015	1	CONTROL PANEL, FAX-T74 FOR SPA	
1-1	LE4629016	1	CONTROL PANEL, FAX-T74 FOR ITA	
1-1	LE4629026	1	CONTROL PANEL, FAX-T74 FOR SWE	
1-1	LE4630003	1	CONTROL PANEL, FAX-T76 FOR GER/AUT	
1-1	LE4630004	1	CONTROL PANEL, FAX-T76 FOR UK/CHE/IRE/ZAF/GNR	
1-1	LE4630005	1	CONTROL PANEL, FAX-T76 FOR FRA	
1-1	LE4630007	1	CONTROL PANEL, FAX-T76 FOR NOR	
1-1	LE4630008	1	CONTROL PANEL, FAX-T76 FOR BEL	
1-1	LE4630009	1	CONTROL PANEL, FAX-T76 FOR NLD	
1-1	LE4630012	1	CONTROL PANEL, FAX-T76 FOR FIN	
1-1	LE4630013	1	CONTROL PANEL, FAX-T76 FOR DEN	
1-1	LE4630015	1	CONTROL PANEL, FAX-T76 FOR SPA	
1-1	LE4630016	1	CONTROL PANEL, FAX-T76 FOR ITA	
1-1	LE4630026	1	CONTROL PANEL, FAX-T76 FOR SWE	
1-2	LE4073004	1	KEY, TEN, BLUE(6314)	
1-3	LE4146003	1	KEY, REDIAL, GRAY(1251)	
1-4	LE4074002	1	KEY, START, BLUE(6314)	
1-5	LE4075003	1	KEY, COPY, GRAY(1251)	
1-6	LE4076001	1	KEY, STOP, PINK(2205)	
1-7	LE4077003	1	KEY, MODE, GRAY(1251)	
1-8	LE4078003	1	KEY, FUNCTION, GRAY(1251)	
1-9	LE4079003	1	KEY, ONE TOUCH, BLUE(6314)	
1-10	LE4165001	1	KEY, PRINTED FLASH, FAX-T76	
1-11	LE4150001	1	FLASH KEY SUPPORTER, FAX-T76	
1-12	LE4151002	1	KEY, REP, BLUE(6314)	
1-13	LG2561001	1	CONTROL PANEL PCB ASSY, FAX-T72/T74	
1-13	LG2585001	1	CONTROL PANEL PCB ASSY, FAX-T76	
1-14	LG2567001	1	LCD	
1-15	LG2568001	1	FPC KEY	
1-16	087310815	1	TAPTITE, CUP B M3X8, FAX-T72/T74	
1-16	087310815	2	TAPTITE, CUP B M3X8, FAX-T76	
1-17	LG2569001	1	PANEL-MAIN HARNESS, FAX-T72/T74	
1-17	LG2580001	1	PANEL-MAIN HARNESS, (W/ MICROPHONE), FAX-T76	
1-18	UF6916001	1	MIC COVER, FAX-T76	
1-19	UF9993001	1	MIC RUBBER, FAX-T76	
1-20	LE4081001	1	PANEL REAR COVER	
1-21	LE4082001	1	ADF SEPARATION RUBBER	

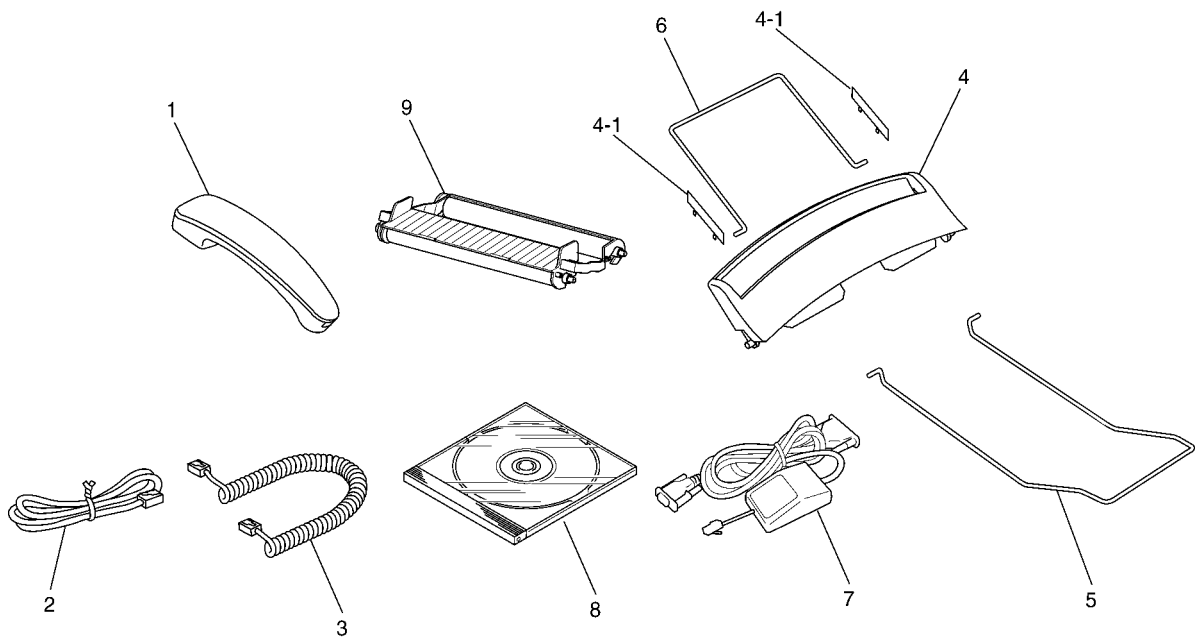
LIST5 (CONTROL PANEL)

REF No.	CODE	Q'TY	DESCRIPTION	REMARKS
1-22	LE4190001	1	SEPARATION RUBBER FILM	
1-23	LE4083001	1	ADF HOLDER	
1-24	LE4084001	1	ADF SPRING PLATE	
1-25	LE4085001	1	ADF SPRING	
1-26	UF6116001	1	TAPTITE, PAN B M3X6	
1-27	087310815	4	TAPTITE, CUP B M3X8	
1-28	LE4090003	1	DOCUMENT GUIDE B-L, GRAY(1293)	
1-29	LE4091003	1	DOCUMENT GUIDE B-R, GRAY(1293)	
1-30	UF4417000	1	GUIDE GEAR	
1-31	UF4418001	1	SPRING, COMPRESSION	
1-32	UF6116001	1	TAPTITE, PAN B M3X6	
2	LE4092001	1	ACF SEPARATION RUBBER	
3	LE4093001	1	ACF PLATE	
4	LE4094001	1	ACF HOLDER	
5	LE4187001	1	ACF LEAF SPRING	
6	LE4096001	1	ACF SPRING	
7	085310815	4	TAPTITE, BIND B M3X8	
8	LE4098003	1	CHUTE COVER, BLACK	
9	LE4102001	1	PLATEN	
10	LE4104001	1	PLATEN SHAFT BUSHING L, BLACK	
11	LE4105001	1	PLATEN SHAFT BUSHING R, WHITE	
12	LE4111001	1	GEAR, 24	
13	LE4047001	1	GEAR, 23	
14	LE4106001	1	PAPER FEED ROLLER 32	
15	LE4108001	1	PAPER FEED ROLLER GEAR 37	
16	UF6613001	1	SEPARATION ROLLER	
17	LE4109001	1	SEPARATION ROLLER GEAR 46	
18	LE4147001	2	PAPER PRESSURE ROLLER	
19	LE4110001	1	PRESSURE ROLLER SHAFT	
20	UF9781001	2	PRESSURE ROLLER SPRING	
21	LE4012001	2	GEAR, 32	
22	LE4099001	1	REGISTRATION SENSOR ACTUATOR	
23	LE4113001	1	LOCK BAR	
24	LE4114001	1	LOCK LEVER L, WHITE	
25	LE4115003	1	LOCK LEVER R, GRAY(1251)	
26	LE4096001	1	LOCK SPRING	
27	LE4117001	1	CHUTE FILM	
28	LE4203001	1	ADF FILM	
29	087310815	4	TAPTITE, CUP B M3X8	
30	LE4087001	1	DOCUMENT PRESSURE BAR	
31	LE4088001	1	WHITE FILM	
32	UF9781001	3	SPRING	
33	LE4300001	1	LCD SHEET, FAX-T72	
33	LE4384001	1	LCD SHEET, FAX-T74	
33	LE4399001	1	LCD SHEET, FAX-T76 FOR GER/AUT	
33	LE4405001	1	LCD SHEET, FAX-T76 FOR UK/BEL/CHE/IRE/ZAF/SWE/GNR	
33	LE4408001	1	LCD SHEET, FAX-T76 FOR FRA	
33	LE4479001	1	LCD SHEET, FAX-T76 FOR NOR	
33	LE4483001	1	LCD SHEET, FAX-T76 FOR NLD	
33	LE4486001	1	LCD SHEET, FAX-T76 FOR FIN	
33	LE4489001	1	LCD SHEET, FAX-T76 FOR DEN	
33	LE4492001	1	LCD SHEET, FAX-T76 FOR SPA	
33	LE4495001	1	LCD SHEET, FAX-T76 FOR ITA	
33	LE4498001	1	LCD SHEET, FAX-T76 FOR SWE	



LIST6 (PCB)

REF No.	CODE	Q'TY	DESCRIPTION	REMARKS
1	LG2724021	1	MAIN PCB ASSY, FAX-T72/T74	
1	LG2725031	1	MAIN PCB ASSY, FAX-T76	
2	LG2878003	1	NCU PCB ASSY, FOR GER/AUT	
2	LG2726005	1	NCU PCB ASSY, FOR FRA	
2	LG2726010	1	NCU PCB ASSY, FOR CHE	
2	LG2726004	1	NCU PCB ASSY, FOR UK	
2	LG2726007	1	NCU PCB ASSY, FOR NOR/BEL/IRE/FIN/DEN/SPA/ITA/ZAF/GNR	
2	LG2726026	1	NCU PCB ASSY, FOR NLD/SWE	
3	LG2862003	1	POWER SUPPLY PCB ASSY, (W/ AC CORD), FOR GER/FRA/NOR/BEL/ NLD/IRE/FIN/AUT/SPA/ITA/SWE/GNR	
3	LG2862004	1	POWER SUPPLY PCB ASSY, (W/ AC CORD), FOR UK	
3	LG2863010	1	POWER SUPPLY PCB ASSY, (W/ AC CORD), FOR CHE	
3	LG2863013	1	POWER SUPPLY PCB ASSY, (W/ AC CORD), FOR DEN	
3	LG2862024	1	POWER SUPPLY PCB ASSY, (W/ AC CORD), FOR ZAF	
4	UF4444001	1	SCREW, PAN(P WASHER) M4X6	
5	LG0140003	1	OTPROM, FAX-T72 FOR GER	
5	LG0164003	1	OTPROM, FAX-T74 FOR GER/AUT	
5	LG0170003	1	OTPROM, FAX-T76 FOR GER/AUT	
5	LG0166004	1	OTPROM, FAX-T74 FOR UK/ZAF/GNR	
5	LG0172004	1	OTPROM, FAX-T76 FOR UK/ZAF/GNR	
5	LG0162005	1	OTPROM, FAX-T72 FOR FRA	
5	LG0168005	1	OTPROM, FAX-T74 FOR FRA	
5	LG0174005	1	OTPROM, FAX-T76 FOR FRA	
5	LG0142010	1	OTPROM, FAX-T72 FOR CHE	
5	LG0144007	1	OTPROM, FAX-T74 FOR NOR/BEL/CHE/IRE	
5	LG0180007	1	OTPROM, FAX-T76 FOR NOR/BEL/CHE/IRE	
5	LG0176009	1	OTPROM, FAX-T74 FOR NLD/FIN/DEN/ITA/SWE	
5	LG0182009	1	OTPROM, FAX-T76 FOR NLD/FIN/DEN/ITA/SWE	
5	LG0194015	1	OTPROM, FAX-T72 FOR SPA	
5	LG0178015	1	OTPROM, FAX-T74 FOR SPA	
5	LG0184015	1	OTPROM, FAX-T76 FOR SPA	
6	087310815	1	TAPTITE, CUP B M3X8	
7	----		NOT USED	



LIST7 (ACCESSORIES)

REF No.	CODE	Q'TY	DESCRIPTION	REMARKS
1	LE0446012	1	HANDSET ASSY, GRAY(1293), FAX-T74/T76	
2	UG3625001	1	TELEPHONE LINE CORD, FOR GER	
2	UG3627001	1	TELEPHONE LINE CORD, FOR FRA	
2	UG3469000	1	TELEPHONE LINE CORD, FOR CHE	
2	UG3626001	1	TELEPHONE LINE CORD, 6P, FOR UK	
2	UG3629001	1	TELEPHONE LINE CORD, FOR NOR	
2	UG1575001	1	TELEPHONE LINE CORD, FOR BEL	
2	UG3631001	1	TELEPHONE LINE CORD, FOR NLD	
2	UG3565001	1	TELEPHONE LINE CORD, FOR IRE/SPA/ZAF/GNR	
2	UG3632001	1	TELEPHONE LINE CORD, FOR FIN	
2	UG3633001	1	TELEPHONE LINE CORD, FOR DEN	
2	UG4205001	1	TELEPHONE LINE CORD, FOR AUT	
2	UG3634001	1	TELEPHONE LINE CORD, FOR ITA	
2	UG3635001	1	TELEPHONE LINE CORD, FOR SWE	
3	UG3543004	1	CURLED CORD ASSY, FAX-T74/T76	
4	LE4375002	1	PAPER FEEDER	
4-1	LE4239002	2	PAPER GUIDE	
5	----		NOT USED	
6	UF9869001	1	PAPER WIRE EXTENSION	
7	----		NOT USED	
8	----		NOT USED	
9	LE4537001	1	PRINTING CARTRIDGE	
(9-1)	LE4464001	1	PRINTING CARTRIDGE FRAME	
(9-2)	LE4143001	1	REFILL ROLL(10M)	

LIST8 (PRINTED MATTER)

REF No.	CODE	Q'TY	DESCRIPTION	REMARKS
1	LE4332003	1	OWNER'S MANUAL ASSY, FAX-T72 FOR GER (INCLUDING OWNER'S MANUAL(REF. No.(1-1), WARRANTY CARD, ADDRESS LABEL(REF. No.(1-2)))	
1	LE4385003	1	OWNER'S MANUAL ASSY, FAX-T74 FOR GER/AUT (INCLUDING OWNER'S MANUAL(REF. No.(1-1), WARRANTY CARD, ADDRESS LABEL(REF. No.(1-2)))	
1	LE4400003	1	OWNER'S MANUAL ASSY, FAX-T76 FOR GER/AUT (INCLUDING OWNER'S MANUAL(REF. No.(1-1), WARRANTY CARD, ADDRESS LABEL(REF. No.(1-2)))	
1	LE4380005	1	OWNER'S MANUAL ASSY, FOR FRA (INCLUDING OWNER'S MANUAL(REF. No.(1-1), WARRANTY CARD, ADDRESS LABEL(REF. No.(1-2)))	
1	LE4431010	1	OWNER'S MANUAL ASSY, FOR CHE (INCLUDING OWNER'S MANUAL(REF. No.(1-1), WARRANTY CARD, ADDRESS LABEL(REF. No.(1-2)))	
1	LE4390004	1	OWNER'S MANUAL ASSY, FOR UK (INCLUDING OWNER'S MANUAL(REF. No.(1-1), WARRANTY CARD, ADDRESS LABEL(REF. No.(1-2)))	
1	LE4435007	1	OWNER'S MANUAL ASSY, FOR NOR (INCLUDING OWNER'S MANUAL(REF. No.(1-1), WARRANTY CARD, ADDRESS LABEL(REF. No.(1-2)))	
1	LE4437008	1	OWNER'S MANUAL ASSY, FOR BEL (INCLUDING OWNER'S MANUAL(REF. No.(1-1), WARRANTY CARD, ADDRESS LABEL(REF. No.(1-2)))	
1	LE4442009	1	OWNER'S MANUAL ASSY, FOR NLD (INCLUDING OWNER'S MANUAL(REF. No.(1-1), WARRANTY CARD, ADDRESS LABEL(REF. No.(1-2)))	
1	LE4444011	1	OWNER'S MANUAL ASSY, FOR IRE (INCLUDING OWNER'S MANUAL(REF. No.(1-1), WARRANTY CARD, ADDRESS LABEL(REF. No.(1-2)))	
1	LE4447012	1	OWNER'S MANUAL ASSY, FOR FIN (INCLUDING OWNER'S MANUAL(REF. No.(1-1), ADDRESS LABEL(REF. No.(1-2)))	
1	LE4450013	1	OWNER'S MANUAL ASSY, FOR DEN (INCLUDING OWNER'S MANUAL(REF. No.(1-1), WARRANTY CARD, ADDRESS LABEL(REF. No.(1-2)))	
1	LE4453015	1	OWNER'S MANUAL ASSY, FOR SPA (INCLUDING OWNER'S MANUAL(REF. No.(1-1), WARRANTY CARD, ADDRESS LABEL(REF. No.(1-2)))	
1	LE4456016	1	OWNER'S MANUAL ASSY, FOR ITA (INCLUDING OWNER'S MANUAL(REF. No.(1-1), WARRANTY CARD, ADDRESS LABEL(REF. No.(1-2)))	
1	LE4457024	1	OWNER'S MANUAL ASSY, FOR ZAF/GNR (INCLUDING OWNER'S MANUAL(REF. No.(1-1), ADDRESS LABEL(REF. No.(1-2)))	
1	LE4460026	1	OWNER'S MANUAL ASSY, FOR SWE (INCLUDING OWNER'S MANUAL(REF. No.(1-1), WARRANTY CARD, ADDRESS LABEL(REF. No.(1-2)))	
(1-1)	LE4333003	1	OWNER'S MANUAL, FAX-T72 FOR GER	
(1-1)	LE4386003	1	OWNER'S MANUAL, FAX-T74 FOR GER/AUT	
(1-1)	LE4401003	1	OWNER'S MANUAL, FAX-T76 FOR GER/AUT	
(1-1)	LE4391005	1	OWNER'S MANUAL, FOR FRA	
(1-1)	LE4391010	1	OWNER'S MANUAL, FOR CHE(GERMAN)	
(1-1)	LE4438008	1	OWNER'S MANUAL, FOR CHE/BEL(FRENCH)	
(1-1)	LE4391004	1	OWNER'S MANUAL, FOR UK/IRE/ZAF/GNR	
(1-1)	LE4391007	1	OWNER'S MANUAL, FOR NOR	
(1-1)	LE4391008	1	OWNER'S MANUAL, FOR BEL(DUTCH)	
(1-1)	LE4391009	1	OWNER'S MANUAL, FOR NLD	
(1-1)	LE4391012	1	OWNER'S MANUAL, FOR FIN	
(1-1)	LE4391013	1	OWNER'S MANUAL, FOR DEN	
(1-1)	LE4391015	1	OWNER'S MANUAL, FOR SPA	
(1-1)	LE4391016	1	OWNER'S MANUAL, FOR ITA	
(1-1)	LE4391026	1	OWNER'S MANUAL, FOR SWE	
(1-2)	LE4135001	1	ADDRESS LABEL	
(2)	UF8263001	1	TEST CHART-027	

LIST9 (PACKING)

REF No.	CODE	Q'TY	DESCRIPTION	REMARKS
(1)	LE4334001	1	CARTON, BROTHER, FAX-T72	
(1)	LE4387001	1	CARTON, BROTHER, FAX-T74	
(1)	LE4402001	1	CARTON, BROTHER, FAX-T76	
(2)	LE4137001	1	STYROFOAM ASSY	
(3)	UE1172001	1	BAG, 570X650H	
(4)	----		NOT USED	
(5)	LE4219001	2	PANEL CUSHION	
(6)	LE4220001	1	PROTECTION SHEET, FOR GER/FRA/NOR/BEL/ NLD/IRE/FIN/DEN/AUT/SPA/ITA/ZAF/SWE/GNR	
(6)	LE4428001	1	PROTECTION SHEET, FOR UK	

brother®