



**FACSIMILE EQUIPMENT
PARTS REFERENCE LIST**

MODEL: FAX8200P

© Copyright Brother 1997

All rights reserved

No part of this publication may be reproduced in any form or by any means without permission in writing from the publisher.

Specifications are subject to change without prior notice.

NOTES FOR USING THIS PARTS REFERENCE LIST

1. In the case of ordering parts, it needs mentioning the following items:

- (1) Code
- (2) Q' ty
- (3) Description

Note: No orders without Parts Code or Tool No. can be accepted.

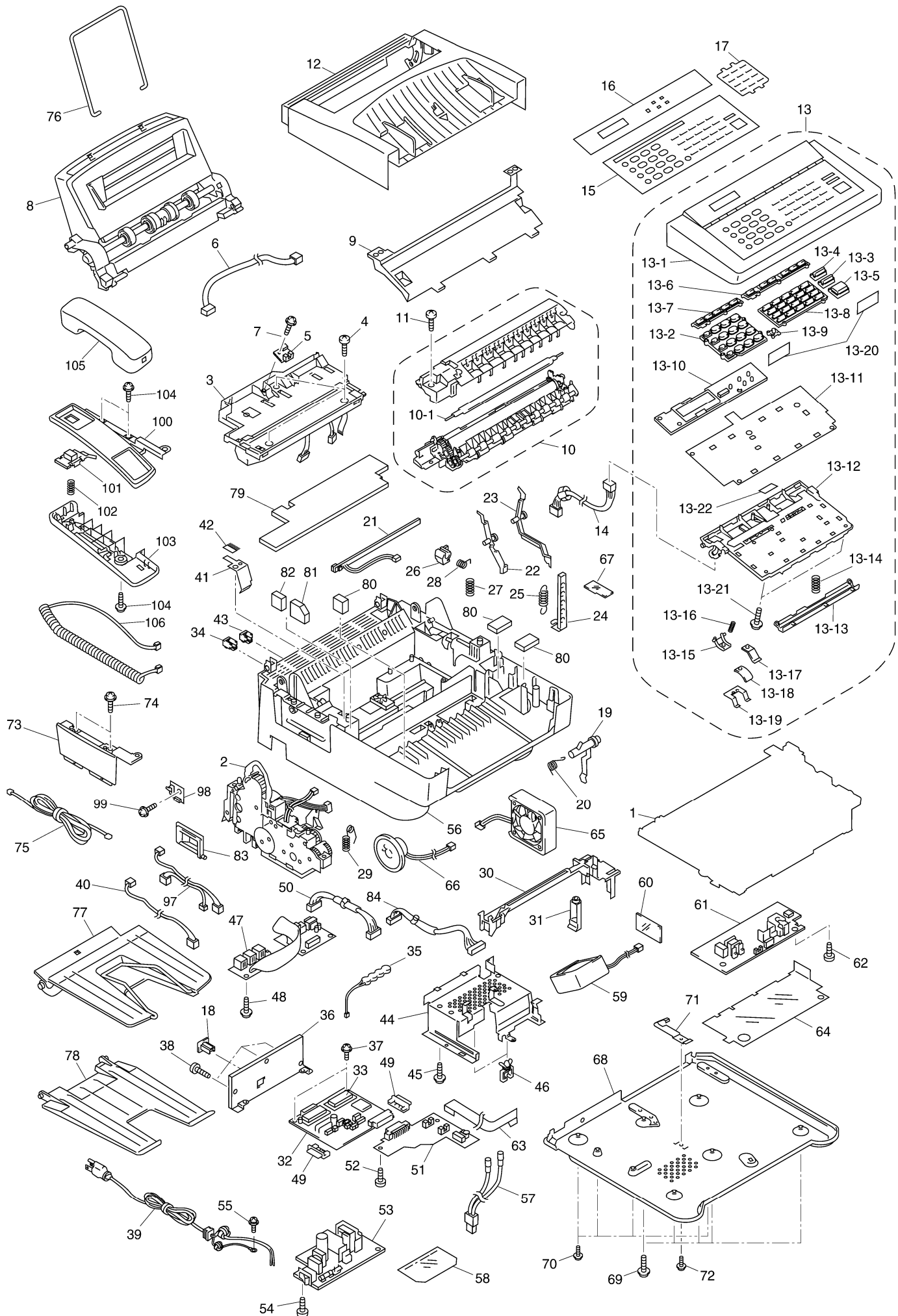
[Example]

REF.NO.	CODE	Q' TY	DESCRIPTION	REMARKS

2. Parts change will be informed by the technical information.

COUNTRIES

GERMANY ----- GER
UNITED KINGDOM ----- UK
FRANCE ----- FRA
NORWAY ----- NOR
NETHERLANDS ----- NLD
SWITZERLAND ----- CHE
SWEDEN ----- SWE

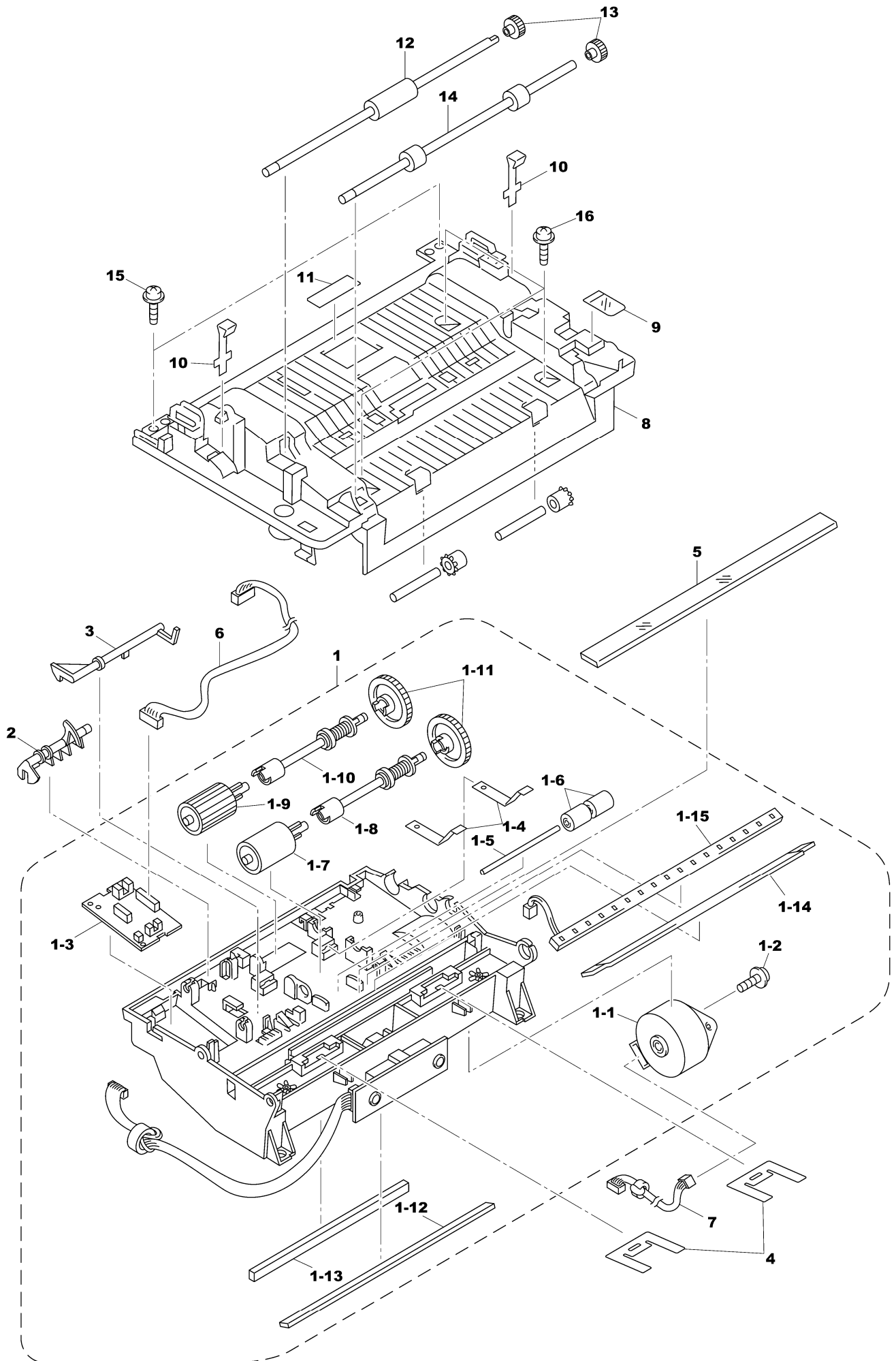


REF.NO.	CODE	Q'TY	DESCRIPTION	REMARKS
1			1. SCANNING FRAME ASSY	
2	UL6997001	1	DRIVE UNIT	
3	UL6875001	1	SCANNER UNIT	
4	085411215	3	TAPTITE, BIND B M4X12	
5	UG4220001	1	TONER SENSOR PCB ASSY	
6	UG4144001	1	TONER SENSOR HARNESS	
7	087310815	1	TAPTITE, CUP B M3X8	
8	UF7309004	1	MP TRAY ASSY, WHITE(1138)	
9	UF7067001	1	INSULATE COVER	
10	UL6878001	1	FIXING UNIT, 240V	
10-1	UL6880001	1	FU LAMP, 240V	
(10-2)	UL6677000	1	ELECTRODE PLATE	
(10-3)	UL6667001	1	THERMISTOR ASSY	
(10-4)	UL6681001	1	PINCH ROLLER ASSY	
(10-5)	UL6682001	4	PINCH ROLLER SPRING	
11	085411215	1	TAPTITE, BIND B M4X12	
12	UF7069004	1	OPEN COVER, WHITE(1138)	
13	UF7337001	1	CONTROL PANEL ASSY, WHITE(1138)	
13-1	UL5953001	1	CONTROL PANEL COVER, WHITE(1138)	
13-2	UF4393003	1	KEY, TEL, WHITE(1138)	
13-3	UF4396001	1	KEY, STOP, PINK(2159)	
13-4	UF4396004	1	KEY, COPY, WHITE(1138)	
13-5	UF4395001	1	KEY, START, BLUE(6155)	
13-6	UL5711003	1	KEY, FAX, WHITE(1138)	
13-7	UL5712003	1	KEY, OPERATION, WHITE(1138)	
13-8	UL5732003	1	KEY, ONE TOUCH, WHITE(1138)	
13-9	UF4576003	1	KEY, SHIFT, WHITE(1138)	
13-10	UF7325001	1	PANEL PCB ASSY	
13-11	UF7321001	1	FPC KEY	
13-12	UF7154001	1	PANEL REAR COVER, GRAY(1267)	
13-13	UF7155001	1	DOCUMENT PRESSURE BAR	
13-14	UF4404001	1	SPRING, COMPRESSION	
13-15	UF7161000	1	DOCUMENT INHALER	
13-16	UF7162001	1	SPRING, COMPRESSION	
13-17	UF7159001	1	ADF SPRING PLATE	
13-18	UF7158000	1	SEPARATION RUBBER	
13-19	UF7160001	1	SPRING PLATE, ADF FRONT	
13-20	UF7163001	2	ANTI-STATIC BRUSH	
13-21	087310815	2	TAPTITE, CUP B M3X8	
13-22	UF7150001	1	INSULATION SHEET	
14	UG4214001	1	PANEL-MAIN HARNESS	
15	UF7429001	1	PANEL SHEET FOR GER	
15	UF7430001	1	PANEL SHEET FOR UK	
15	UF7431001	1	PANEL SHEET FOR FRA	
15	UF7433001	1	PANEL SHEET FOR NOR	
15	UF7961001	1	PANEL SHEET FOR BEL	
15	UF7435001	1	PANEL SHEET FOR NLD	
15	UF7434001	1	PANEL SHEET FOR CHE	
15	UF7439001	1	PANEL SHEET FOR SWE	
15	UF7432001	1	PANEL SHEET FOR ARL/NZ	
16	UF7863001	1	LCD PLATE FOR GER	
16	UF7864001	1	LCD PLATE FOR UK/BEL/CHE	
16	UF7865001	1	LCD PLATE FOR FRA	
16	UF7866001	1	LCD PLATE FOR NOR	
16	UF7867001	1	LCD PLATE FOR NLD	
16	UF7868001	1	LCD PLATE FOR SWE	
16	UF7990001	1	LCD PLATE FOR ARL/NZ	
17	UL5771001	1	ADDRESS LABEL	

REF.NO.	CODE	Q'TY	DESCRIPTION	REMARKS
18	UF4759000	1	PC I/F COVER	
19	UL6936001	1	PAPER EJECT ACTUATOR ASSY	
20	UL6931001	1	SPRING, TORSION EX	
21	UL6887001	1	EL PCB UNIT	
22	UF7055001	1	RESIST SENSOR LEVER	
23	UF7056001	1	TC SENSOR LEVER	
24	UF7057000	1	COVER OPEN LEVER	
25	UF7058001	1	SPRING, COIL	
26	UL6721000	1	LOCK LEVER	
27	UL6722001	1	SPRING, COMPRESSION	
28	UL6723001	1	PR LOCK SPRING	
29	UL6730000	1	DRUM GROUND SPRING	
30	UF7054001	1	DOCT COVER	
31	UL6853001	1	DENSITY DIAL, GRAY(1252)	
32	UF7888001	1	MAIN PCB SUB ASSY FOR GER/UK/NOR/NLD/CHE/SWE	
32	UF7944001	1	MAIN PCB SUB ASSY FOR FRA/BEL	
32	UF7971001	1	MAIN PCB SUB ASSY FOR ARL/NZ	
33	UG4261003	1	PROM FOR GER	
33	UG4261004	1	PROM FOR UK	
33	UG4261005	1	PROM FOR FRA	
33	UG4261007	1	PROM FOR NOR	
33	UG4261008	1	PROM FOR BEL	
33	UG4261009	1	PROM FOR NLD	
33	UG4261010	1	PROM FOR CHE	
33	UG4261026	1	PROM FOR SWE	
33	UG4261006	1	PROM FOR ARL	
33	UG4261027	1	PROM FOR NZ	
34	UF7095000	1	MJ COVER, H/S FOR GER/UK/NOR/BEL/NLD/CHE/FRA/SWE	
35	UF7096001	1	BATTERY FOR FRA/BEL	
36	UF7081000	1	I/F SHIELD ASSY	
37	087320616	2	TAPTITE, CUP S M3X6	
38	000300606	3	SCREW, BIND M3X6	
39	UG4095001	1	AC CORD ASSY FOR UK	
39	UG4096001	1	AC CORD ASSY FOR GER/FRA/NOR/BEL/NLD/SWE	
39	UG4098001	1	AC CORD ASSY FOR CHE	
39	UG4097001	1	AC CORD ASSY FOR ARL/NZ	
40	UG4085001	1	HVP-MAIN HARNESS FOR GER/UK/FRA/NOR/BEL/NLD/CHE/SWE	
41	UF7617001	1	GROUNDING PLATE	
42	UF7676001	1	ANTI-STATIC BRUSH	
43	UF5745000	1	MJ COVER, EXT FOR GER/UK/FRA/BEL/NLD/CHE/SWE	
44	UF7059000	1	MAIN SHIELD	
45	087311016	3	TAPTITE, CUP B M3X10	
46	UG4163000	2	CLAMP:LWS-1S	
47	UF7550001	1	NCU PCB ASSY FOR GER	
47	UF7564001	1	NCU PCB ASSY FOR UK	
47	UF7569001	1	NCU PCB ASSY FOR FRA	
47	UF7565001	1	NCU PCB ASSY FOR NOR	
47	UF7553001	1	NCU PCB ASSY FOR BEL	
47	UF7554001	1	NCU PCB ASSY FOR NLD	
47	UF7552001	1	NCU PCB ASSY FOR CHE	
47	UF7566001	1	NCU PCB ASSY FOR SWE	
47	UF7551001	1	NCU PCB ASSY FOR ARL	
47	UF7571001	1	NCU PCB ASSY FOR NZ	
48	087311016	1	TAPTITE, CUP B M3X10	
49	UF7061000	2	MAIN PCB GUIDE	
50	UG4034001	1	NCU-MAIN HARNESS-1	
51	UF7314001	1	RELAY PCB ASSY	
52	085411215	1	TAPTITE, BIND B M4X12	

REF.NO.	CODE	Q'TY	DESCRIPTION	REMARKS
53	UF7587001	1	PS PCB ASSY, 230V FOR GER/FRA/NOR/BEL/NLD/SWE/ARL/NZ	
53	UF7567001	1	PS PCB ASSY, 230V FOR UK	
53	UF7713001	1	PS PCB ASSY, 230V FOR CHE	
54	085411215	1	TAPTITE, BIND B M4X12	
55	UF6559001	1	SCREW, PAN (WASHER) M4X8DB	
56	UF7053004	1	MAIN COVER, WHITE(1138)	
57	UK3062001	1	HEATER HARNESS ASSY	
58	UF7078001	1	MAIN FILM	
59	UF7090001	1	MAIN FAN MOTOR ASSY	
60	UL6928001	1	FAN MOTOR FILM	
61	UK3192001	1	HIGH-VOLTAGE PS PCB ASSY	
62	085411215	1	TAPTITE, BIND B M4X12	
63	UK3059000	1	HV FLAT CABLE 12	
64	UF7060001	1	INSULATION SHEET	
65	UF7097001	1	SUB FAN MOTOR ASSY	
66	UG4036001	1	SPEAKER UNIT	
67	UF7088001	1	SPEAKER FILM	
68	UF7065001	1	BOTTOM PLATE	
69	087411215	5	TAPTITE, CUP B M4X12	
70	087320616	4	TAPTITE, CUP S M3X6	
71	UF7092001	1	GROUNDING PLATE	
72	087320616	1	TAPTITE, CUP S M3X6	
73	UF7082004	1	SIDE COVER, WHITE(1138) FOR GER/UK/FRA/NOR/BEL/NLD/CHE/SWE	
74	087311016	2	TAPTITE, CUP B M3X10 FOR GER/UK/FRA/NOR/BEL/NLD/CHE/SWE	
75	UL8230001	1	TELEPHONE LINE CORD FOR GER	
75	UL8211001	1	TELEPHONE LINE CORD FOR UK/NZ	
75	UL8290001	1	TELEPHONE LINE CORD FOR FRA	
75	UL8384001	1	TELEPHONE LINE CORD FOR NOR	
75	UL8219001	1	TELEPHONE LINE CORD FOR BEL	
75	UL8231001	1	TELEPHONE LINE CORD FOR NLD	
75	UG4169001	1	TELEPHONE LINE CORD FOR CHE	
75	UL8218001	1	TELEPHONE LINE CORD FOR SWE	
75	UG3299001	1	TELEPHONE LINE CORD FOR ARL	
76	UE2188001	1	PAPER SUPPORT ASSY	
77	UF7206001	1	DOCUMENT TRAY	
78	UF7209001	1	PAPER TRAY	
79	UL6611001	1	SEAL SPONGE A	
80	UF7085001	3	SEAL SPONGE B	
81	UF7086001	1	SEAL SPONGE C	
82	UF7089001	1	SEAL SPONGE D	
83	UF7064004	1	SWITCH COVER, WHITE(1138)	
84	UG4215001	1	NCU-MAIN HARNESS-2	
(85)	UL6740001	1	LASER CAUTION LABEL	
(86)	UL6741001	1	TONER CAUTION LABEL	
(87)	UH2535004	4	ECOLOGY STICKER FOR CHE	
(88)	UF7093001	1	WARNING LABEL 30X160	
(89)	UF7946001	1	MYLAR LABEL FOR GER/UK/NOR/NLD/CHE/SWE/FRA/BEL	
(89)	UF7963001	1	MYLAR LABEL FOR ARL/NZ	
(90)	UL6955001	1	DUST COVER	
(91)	UF7872001	1	OWNER'S MANUAL ASSY FOR GER (INCLUDING OWNER'S MANUAL)	
(91)	UF7873001	1	OWNER'S MANUAL ASSY FOR UK (INCLUDING OWNER'S MANUAL, MERCURY REORDER FORM AND CAUTION LABEL)	
(91)	UF7874001	1	OWNER'S MANUAL ASSY FOR FRA (INCLUDING OWNER'S MANUAL AND WARRANTY CARD)	
(91)	UF7875001	1	OWNER'S MANUAL ASSY FOR NOR (INCLUDING OWNER'S MANUAL AND WARRANTY CARD)	

REF.NO.	CODE	Q'TY	DESCRIPTION	REMARKS
(91)	UF7876001	1	OWNER'S MANUAL ASSY FOR BEL (INCLUDING OWNER'S MANUAL(DUTCH) AND OWNER'S MANUAL(FRENCH))	
(91)	UF7877001	1	OWNER'S MANUAL ASSY FOR NLD (INCLUDING OWNER'S MANUAL AND WARRANTY CARD)	
(91)	UF7878001	1	OWNER'S MANUAL ASSY FOR CHE (INCLUDING OWNER'S MANUAL(GERMAN) AND OWNER'S MANUAL(FRENCH))	
(91)	UF7879001	1	OWNER'S MANUAL ASSY FOR SWE (INCLUDING OWNER'S MANUAL AND WARRANTY CARD)	
(91)	UF7966001	1	OWNER'S MANUAL ASSY FOR ARL (INCLUDING OWNER'S MANUAL, QUICK REFERENCE GUIDE AND REMOTE CONTROL GUIDE)	
(91)	UF7970001	1	OWNER'S MANUAL ASSY FOR NZ (INCLUDING OWNER'S MANUAL, QUICK REFERENCE GUIDE AND REMOTE CONTROL GUIDE)	
(92)	UE1802001	1	CARTON, BROTHER FOR GER/UK/FRA/NOR/BEL/NLD/CHE/SWE	
(92)	UE1812001	1	CARTON, BROTHER FOR ARL/NZ	
(93)	UE1424001	1	STYROFARM ASSY	
(94)	UE2136001	1	PE BAG,700X1000H (FOR MACHINE)	
(95)	UE1427000	1	BOX (FOR MANUAL)	
(96)	UU0456001	1	ADF PROTECTION PAPER	
97	UG4086001	1	MAIN HARNESS ASSY (INCLUDING HOOK-MAIN HARNESS AND HVP-MAIN HARNESS) FOR ARL/NZ	
98	UF7329001	1	HOOK PCB ASSY FOR ARL/NZ	
99	087310616	1	TAPTITE, CUP B M3X6	
100	UF7073004	1	UPPER HANDSET COVER, WHITE(1138) FOR ARL/NZ	
101	UF7075001	1	ACTUATOR HOOK FOR ARL/NZ	
102	UF7076001	1	SPRING, COMPRESSION FOR ARL/NZ	
103	UF7074004	1	LOWER HANDSET COVER, WHITE(1138) FOR ARL/NZ	
104	87311016	3	TAPTITE, CUP B M3X10 FOR ARL/NZ	
105	UL8225003	1	HANDSET, WHITE(1138) FOR ARL/NZ	
106	UF7204009	1	HANDSET CURLED CORD, WHITE(1255) FOR ARL/NZ	



1. SCANNING FRAME ASSY

REF.NO.	CODE	Q'TY	DESCRIPTION	REMARKS
1	UF7320001	1	SCANNING FRAME ASSY	
1-1	Z26243001	1	MOTOR	
1-2	0A5300805	1	SCREW, PAN (S/P WASHER) M3X8	
1-3	UF7328001	1	SENSOR PCB ASSY	
1-4	UF7013001	2	SPRING PLATE, PRESSUR ROLLER	
1-5	UF7014000	1	PRESSURE ROLLER SHAFT	
1-6	T20869000	2	LEADER CLAMP ROLLER	
1-7	UF4366001	1	SEPARATION ROLLER	
1-8	UF7016001	1	SEPARATION ROLLER SHAFT ASSY	
1-9	UF7015001	1	SEPARATION ROLLER	
1-10	UF7019001	1	SEPARATION ROLLER SHAFT ASSY	
1-11	UL5632000	2	SEPARATION ROLLER GEAR	
1-12	UF7307001	1	MIRROR, L220	
1-13	UF7323001	1	MIRROR, S166.5	
1-14	UF7024000	1	BAR LENS	
1-15	UF7583001	1	LED ARRAY 200	
2	UF7026001	1	ACTUATOR, F	
3	UF7027001	1	ACTUATOR, R	
4	UF7028001	2	EJECTION SPRING	
5	UF9265001	1	COVER GLASS	
6	UG4213001	1	SENSOR-MAIN HARNESS	
7	UG4035001	1	SCANNING MOTOR-MAIN HARNESS	
8	UF7999004	1	ADF COVER, WHITE(1138)	
9	UF7187001	1	GEAR COVER FILM	
10	UF7031001	2	PANEL OPEN SPRING	
11	UL5664001	1	ADF FILM	
12	UF7033001	1	LF ROLLER	
13	UF7035000	2	ROLLER GEAR	
14	UF7036001	1	EJECTION ROLLER	
15	087411216	2	TAPTITE, CUP B M4X12	
16	087311016	3	TAPTITE, CUP B M3X10	

brother®