



**FACSIMILE EQUIPMENT**

**PARTS REFERENCE LIST**

**MODEL: MFC9660 / FAX8360P**

**FAX8370**

**(For Germany / United Kingdom / France /  
Norway / Belgium / Netherlands /  
Switzerland / Ireland / Finland / Denmark /  
Austria / Spain / Italy / South Africa /  
Sweden )**

**(For Australia / New Zealand / Asia / China )**

© Copyright Brother 2002

All rights reserved

No part of this publication may be reproduced in any form  
or by any means without permission in writing from the  
publisher.

Specifications are subject to change without prior notice.

## NOTES FOR USING THIS PARTS REFERENCE LIST

1. In the case of ordering parts, it needs mentioning the following items:

- (1) Code
- (2) Q' ty
- (3) Description

Note: No orders without Parts Code or Tool No. can be accepted.

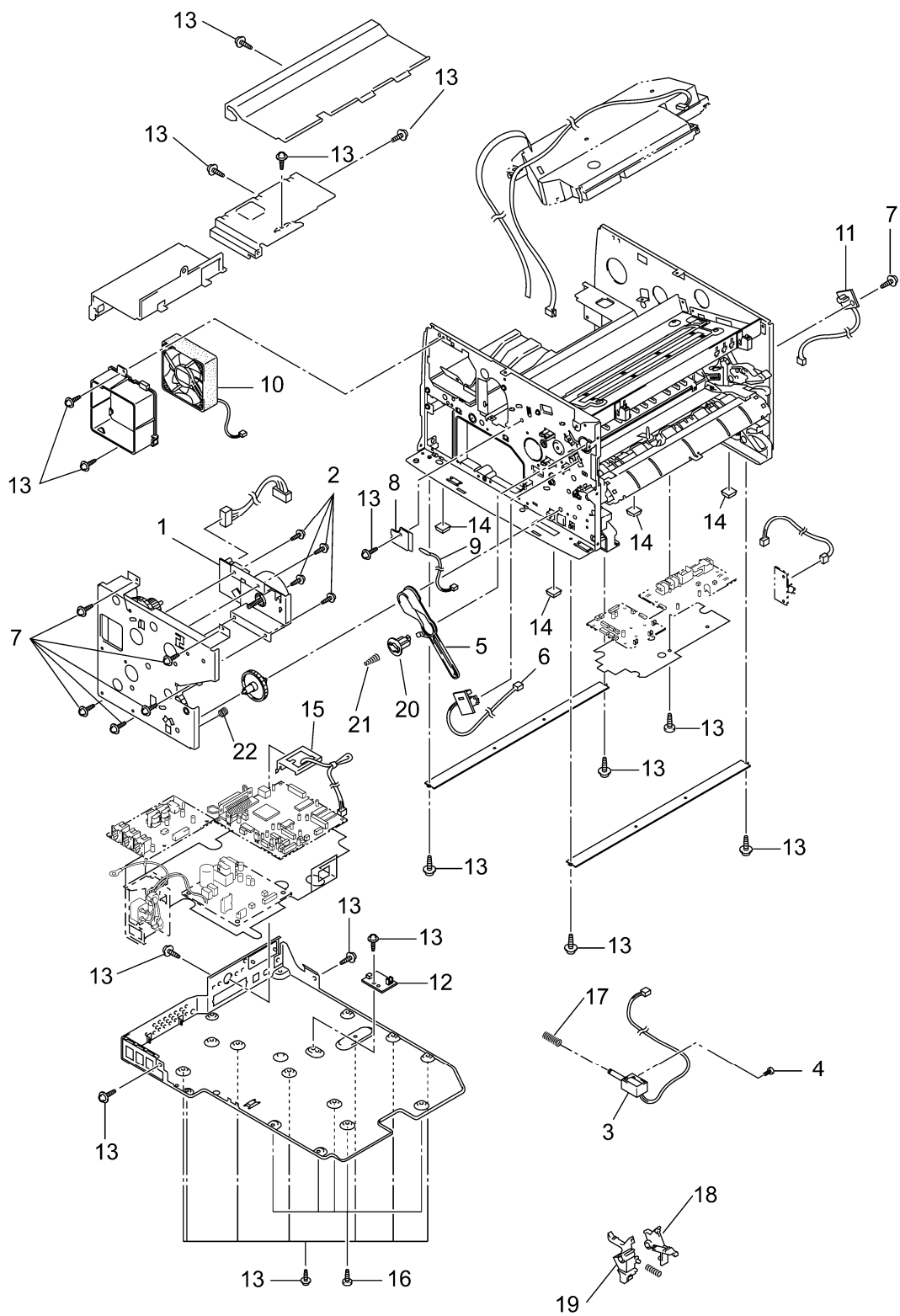
[Example]

REF.NO.	CODE	Q' TY	DESCRIPTION	RECOMMEND	REMARKS

2. Parts change will be informed by the technical information.

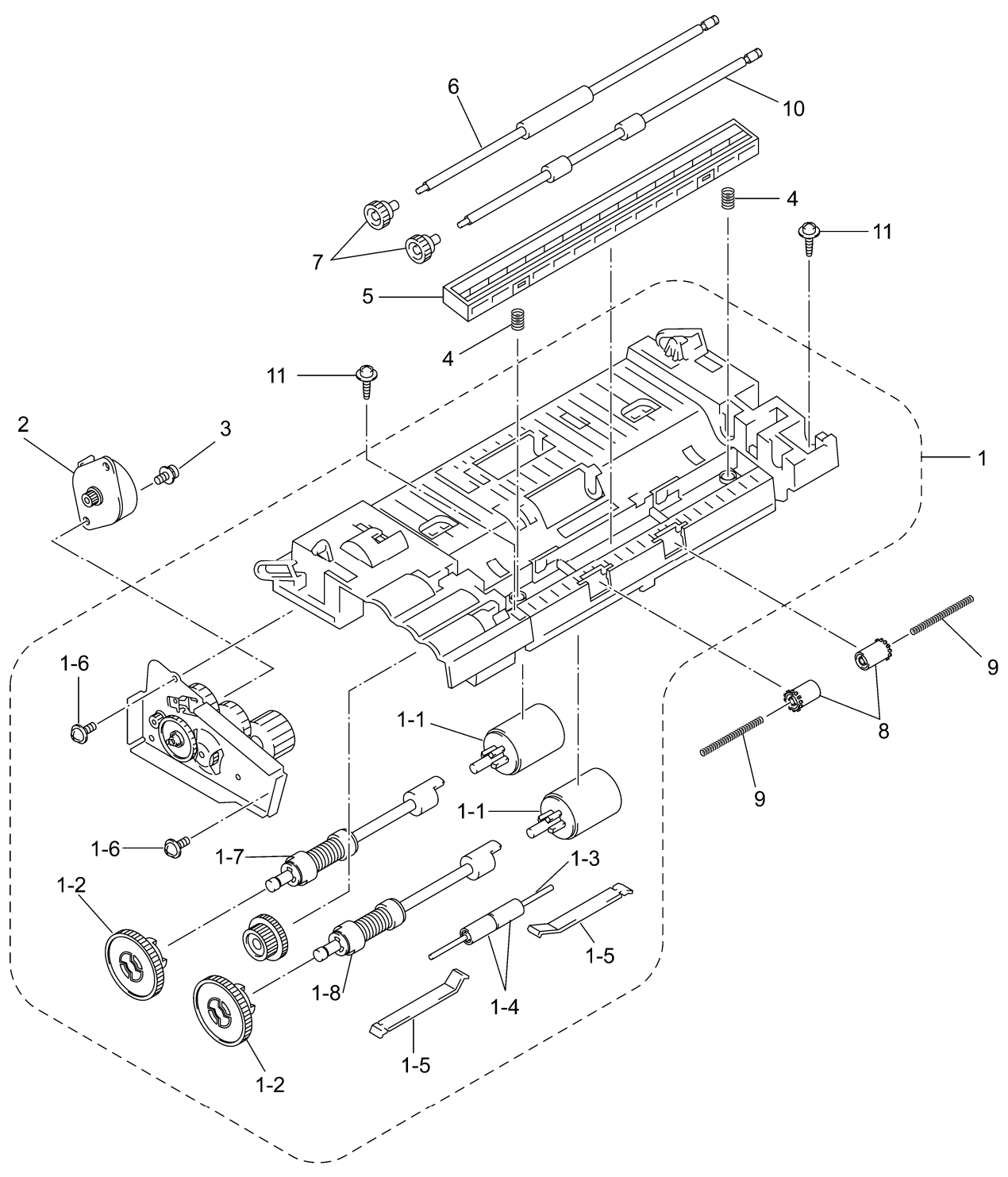
## COUNTRIES

GERMANY ---- GER  
UNITED KINGDOM ---- UK  
FRANCE ---- FRA  
NORWAY ---- NOR  
BELGIUM ---- BEL  
NETHERLANDS ---- NLD  
SWITZERLAND ---- CHE  
IRELAND ---- IRE  
FINLAND ---- FIN  
DENMARK ---- DEN  
AUSTRIA ---- AUS  
SPAIN ---- SPA  
ITALY ---- ITA  
SOUTH AFRICA ---- ZAF  
SWEDEN ---- SWE  
AUSTRALIA ---- ARL  
ASIA ---- ASA  
CHINA ---- CHN



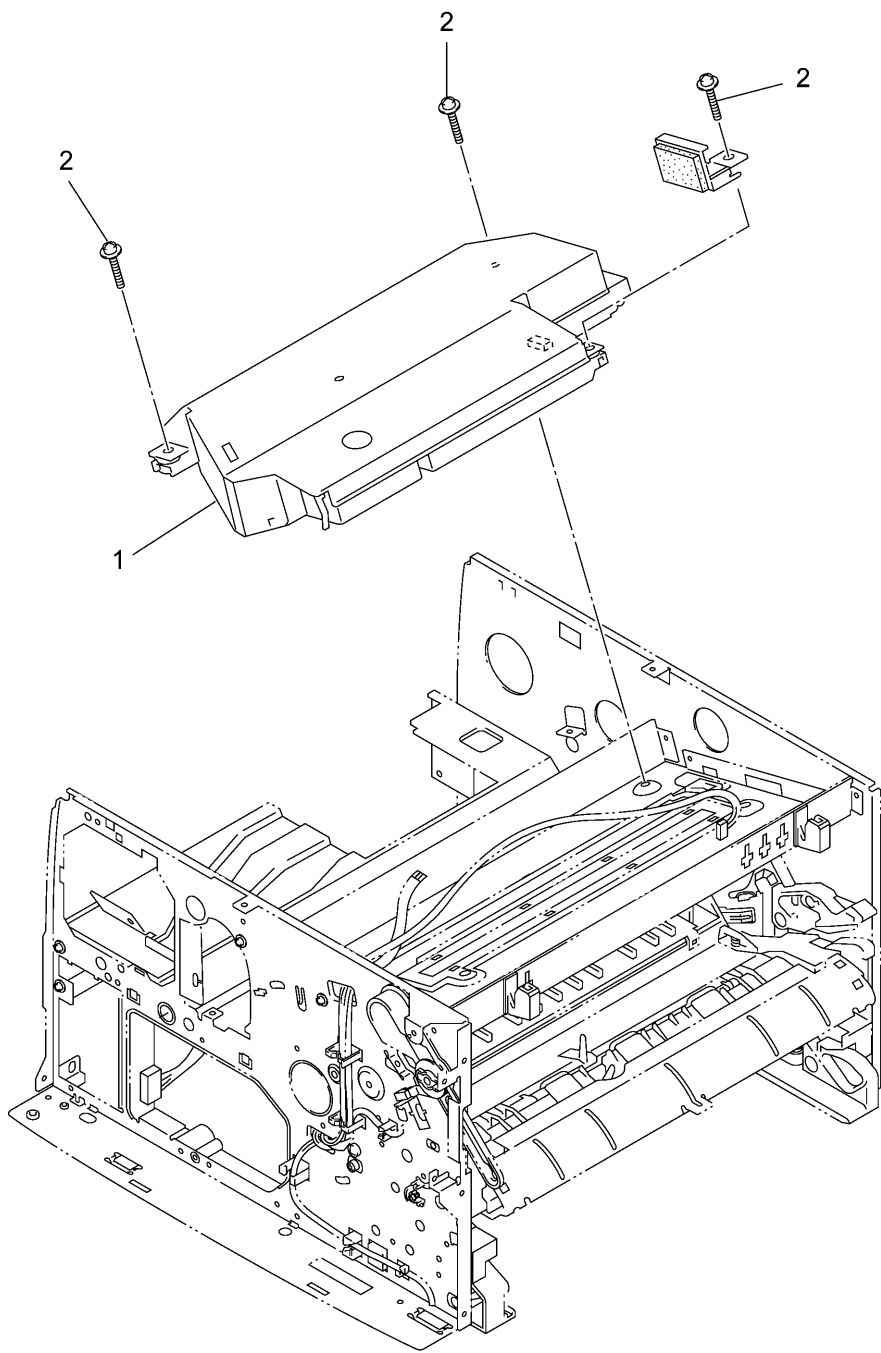
## LIST1 (MAIN FRAME)

REF No.	CODE	QTY	DESCRIPTION	RECOMMEND	REMARK	ORDER TO BIUK
1	LE1744001	1	MAIN MOTOR ASSY			
2	087320616	4	TAPTITE, CUP S M3X6			
3	LJ5701001	1	SOLENOID ASSY			
4	000300415	1	SCREW, BIND M3X4			
5	UL8984001	1	FRONT COVER LINK			
6	LJ5704001	1	TONER SENSOR (LED) PCB			
7	087320616	6	TAPTITE, CUP S M3X6			
8	LE1166001	1	THERMISTOR FILM			
9	LG2423001	1	THERMISTOR ASSY			
10	LM2688001	1	FAN MOTOR UNIT EXCEPT FOR ARL/CHN/NZ/ASA		ADD	
10	LJ4745 001	1	FAN MOTOR UNIT FOR ARL/CHN/NZ/ASA			
11	UL9104001	1	TONER SENSOR (RECEIVER) PCB			
12	UG6217001	1	PAPER EJECTION SENSOR PCB			
13	087320616	23	TAPTITE, CUP S M3X6			
14	LJ7403001	4	RUBBER FOOT			
15	LJ8031001	1	2ND CASSETTE RELAY PCB			
16	085411215	5	SCREW, BIND B TITE M4X12			
17	LJ5703001	1	SOLENOID RELEASE SPRING			
18	UL8972001	1	P/R CLUTCH LEVER			
19	UL8971001	1	F/R CLUTCH LEVER			
20	UL8982001	1	DEVELOP JOINT			
21	UL8983001	1	JOINT SPRING			
22	UL8959004	4	FRICITION SPRING			



## LIST2 (DOCUMENT SCANNER)

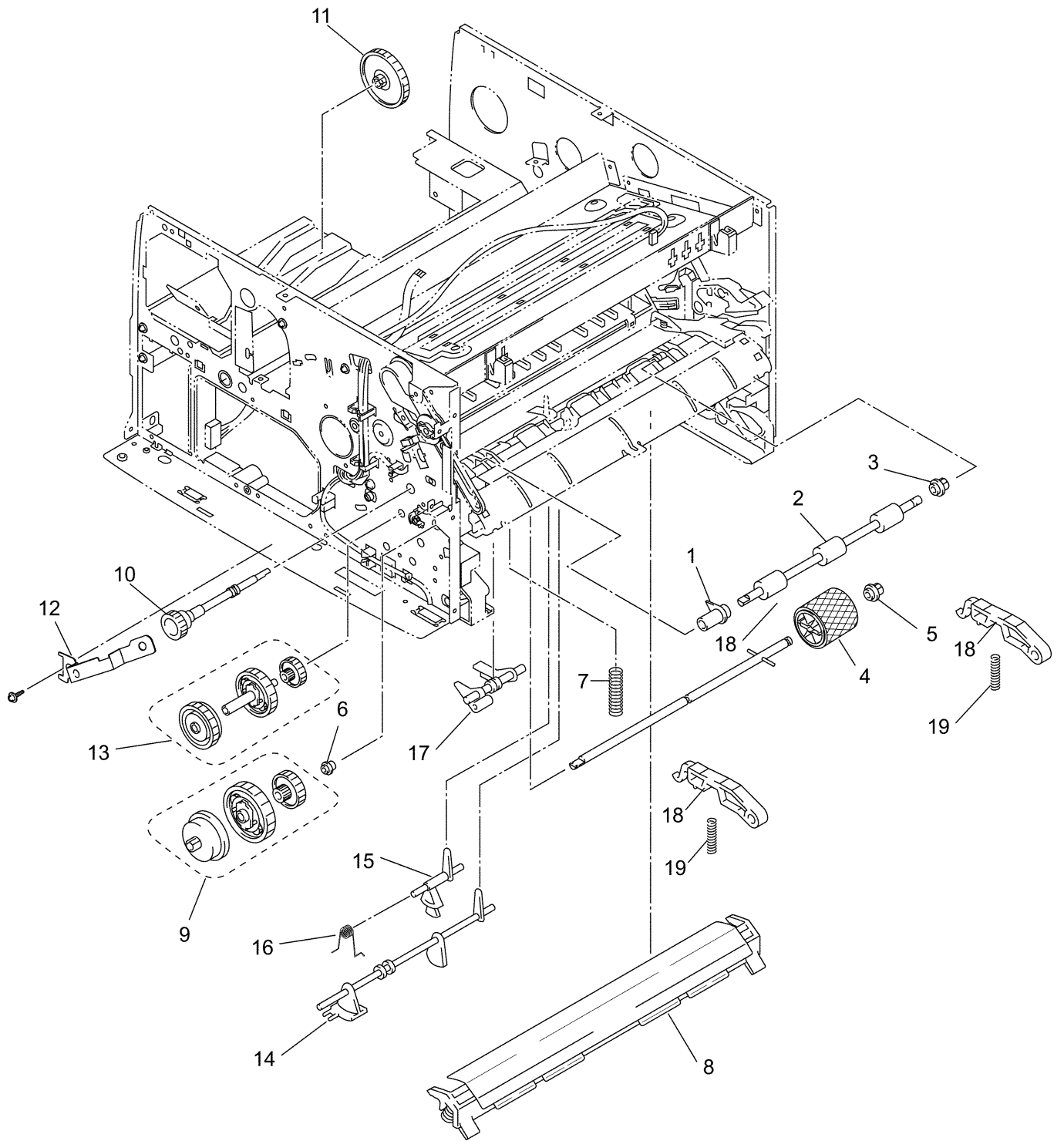
REF No.	CODE	QTY	DESCRIPTION	RECOMMEND	REMARK	ORDER TO BIUK
1	LE1164001	1	DOCUMENT SCANNER ASSY	√		
1-1	LE1072001	2	DOCUMENT SEPARATION ROLLER ZLM			
1-2	UL5632000	2	DOCUMENT SEPARATION ROLLER GEAR 43			
1-3	UF4369000	1	PRESSURE ROLLER SHAFT			
1-4	UF9009001	2	PRESSER ROLLER			
1-5	UU7032001	2	PRESSER ROLLER LEAF SPRING			
1-6	087310815	2	TAPTITE, CUP B M3X8			
1-7	UU2006001	1	DOCUMENT TAKE-IN ROLLER SHAFT ASSY, WHITE			
1-8	UU2008001	1	SEPARATION ROLLER SHAFT ASSY, BLACK			
2	UU2027001	1	SCANNER MOTOR			
3	0A4300605	1	SCREW, PAN (WASHER) M3X6			
4	UU2028001	2	CIS SPRING			
5	LE7949001	1	CIS UNIT (SP)	√		
6	UU2029001	1	DOCUMENT FEED ROLLER			
7	LE1196001	2	DOCUMENT FEED ROLLER GEAR			
8	UL6244002	2	PINCH ROLLER			
9	UU2009001	2	PINCH ROLLER SPRING			
10	UU2031001	1	EJECTION ROLLER			
11	087311016	2	TAPTITE, CUP B M3X10			





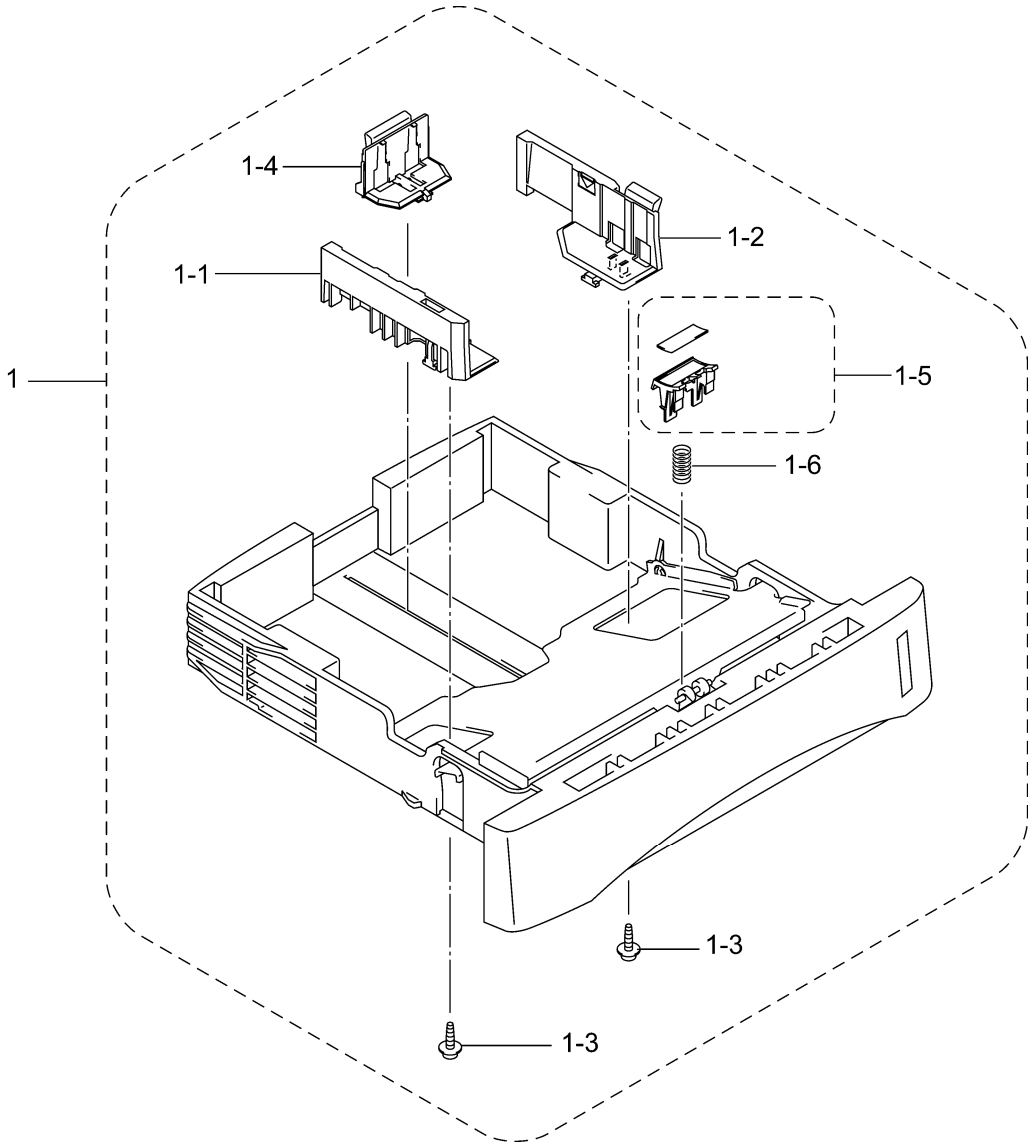
LIST3 (LASER UNIT)

REF No.	CODE	QTY	DESCRIPTION	RECOMMEND	REMARK	ORDER TO BIUK
1	LJ5828001	1	LASER UNIT ASSY(SP)	√		
2	087321615	3	TAPTITE, CUP S M3X16			



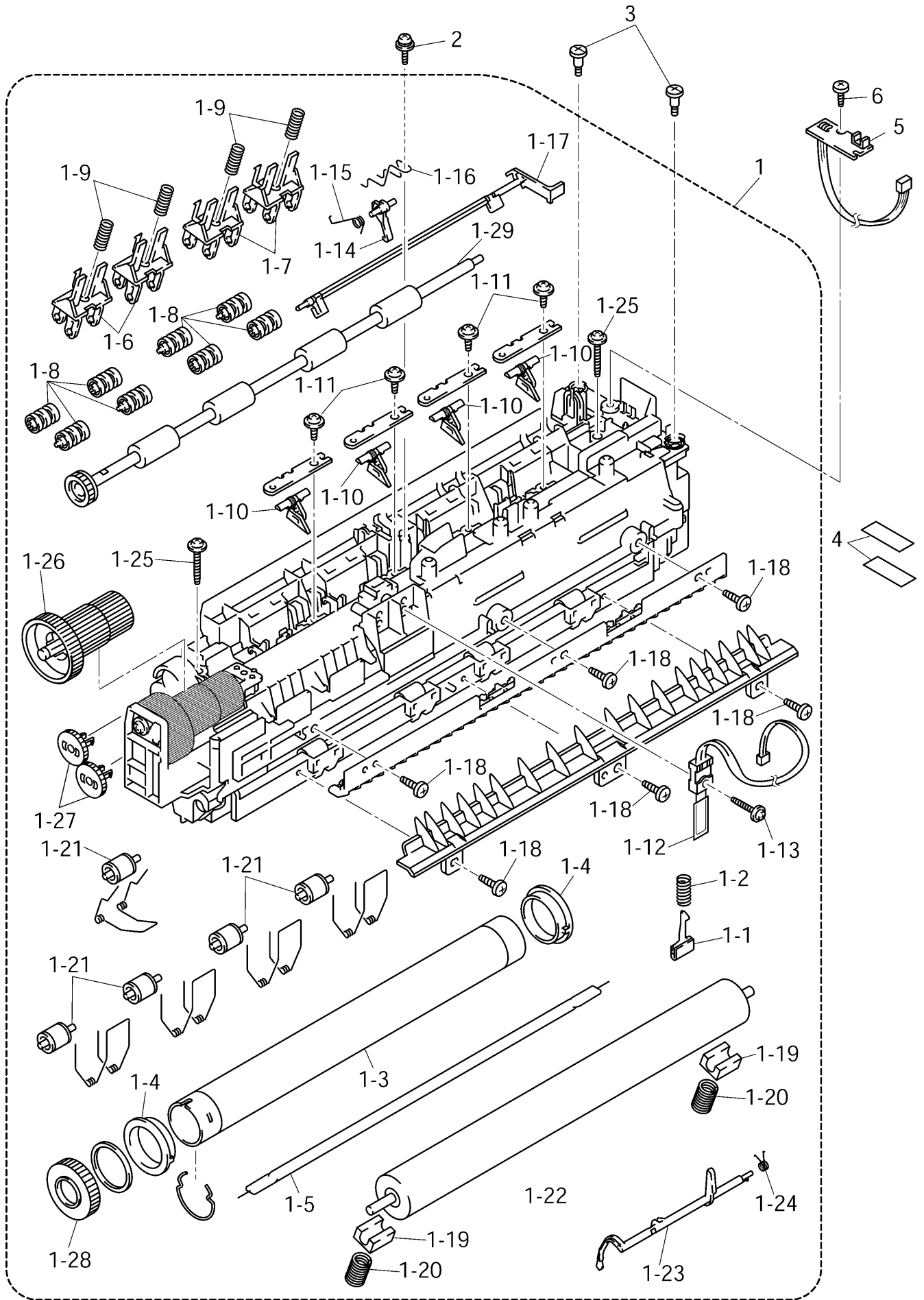
## LIST4 (PAPER TRANSPORT)

REF No.	CODE	QTY	DESCRIPTION	RECOMMEND	REMARK	ORDER TO BIUK
1	UL9059001	1	JOINT			
2	UL9060001	1	PAPER FEED ROLLER ASSY			
3	UL9062001	1	PAWLED BUSHING			
4	UL9066001	1	PAPER PICK-UP ROLLER ASSY			
5	UL9062001	1	PAWLED BUSHING			
6	UL9069001	1	CONDUCTIVE BUSHING			
7	LJ4499001	1	ELECTRODE SPRING			
8	LJ4843001	1	OUTER CHUTE 1 (SP)			
9	LJ5591001	1	PLANET GEAR ASSY (SP)			
10	UL9070001	1	GEAR 21			
11	UL8985001	1	GEAR 59			
12	LJ5705001	1	GEAR 21 PRESSURE PLATE			
13	LJ5838001	1	PLANET GEAR ASSY B (SP)			
14	UL9049001	1	MANUAL INSERTION SENSOR ACTUATOR			
15	UL9050001	1	REGISTRATION SENSOR ACTUATOR			
16	UL9051001	1	REGISTRATION SENSOR SPRING			
17	UU2042001	1	CASSETTE SENSOR ACTUATOR			
18	UL9053001	2	TRANSFER ARM		ADD	
19	UL9052001	2	TRANSFER SPRING		ADD	



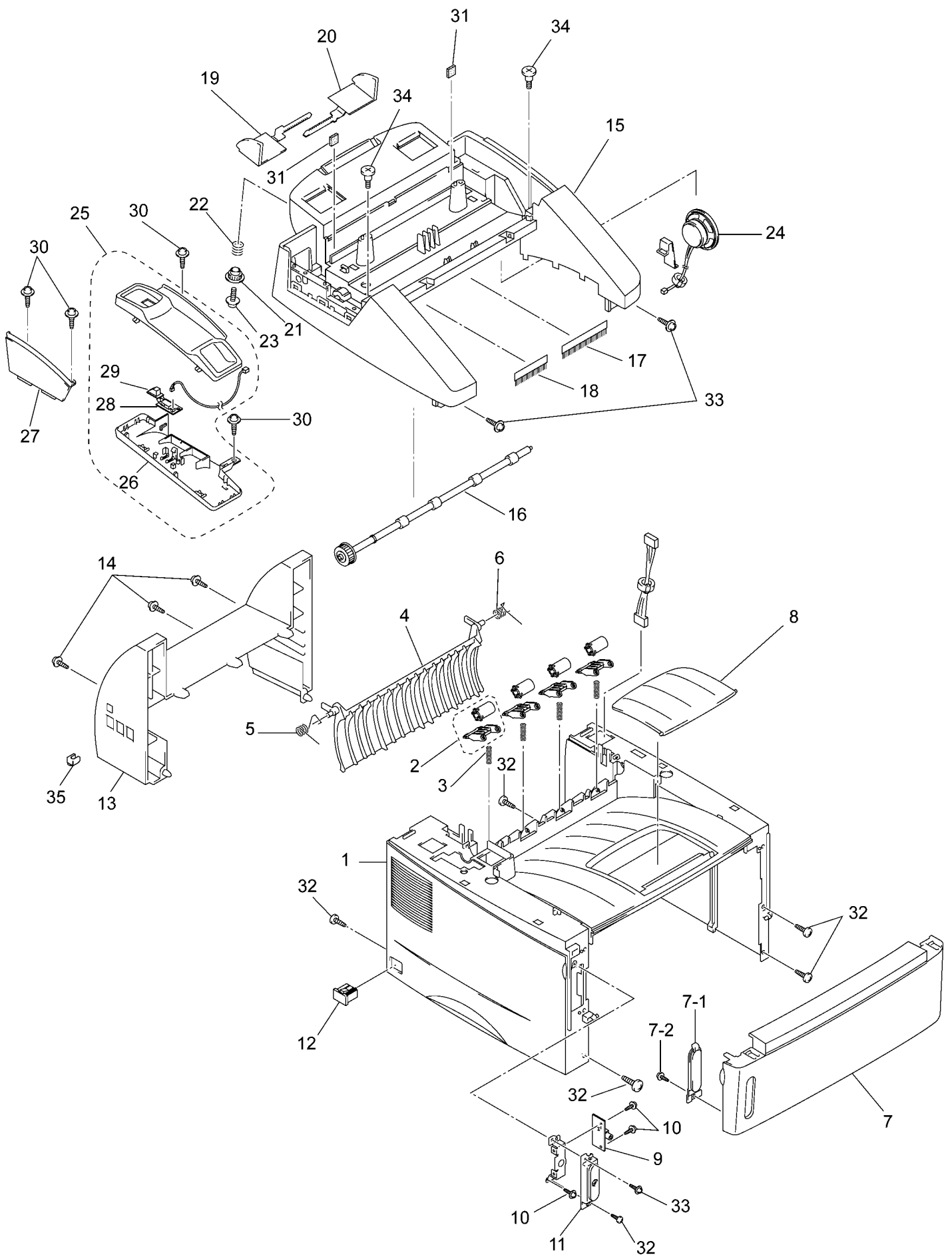
LIST5 (PAPER TRAY)

REF No.	CODE	QTY	DESCRIPTION	RECOMMEND	REMARK	ORDER TO BIUK
1	LE1162001	1	PAPER TRAY ASSY, LEGAL, MFC9660 FOR GER/UK/FRA/NOR/BEL/NLD/CHE/IRE/FIN/DEN/AUS/SPA/ITA/ZAF/SWE (SP)	√		
1	LJ4181001	1	PAPER TRAY ASSY, MFC9660 FOR ARL/NZ/ASA, FAX8360P, FAX8370 (SP)	√		
1-1	UL9078001	1	SIDE GUIDE L, BLUE(6155)			
1-2	UL9079001	1	SIDE GUIDE R, BLUE(6155)			
1-3	U73515001	2	SCREW, CUP B M2.6X5			
1-4	UL9083001	1	PAPER REAR GUIDE, BLUE(6155)			
1-5	UL9084001	1	SEPARATION PAD SUPPORT ASSY			
1-6	UL9090001	1	SEPARATION PAD SPRING			



LIST6 (HEAT FIXING UNIT)

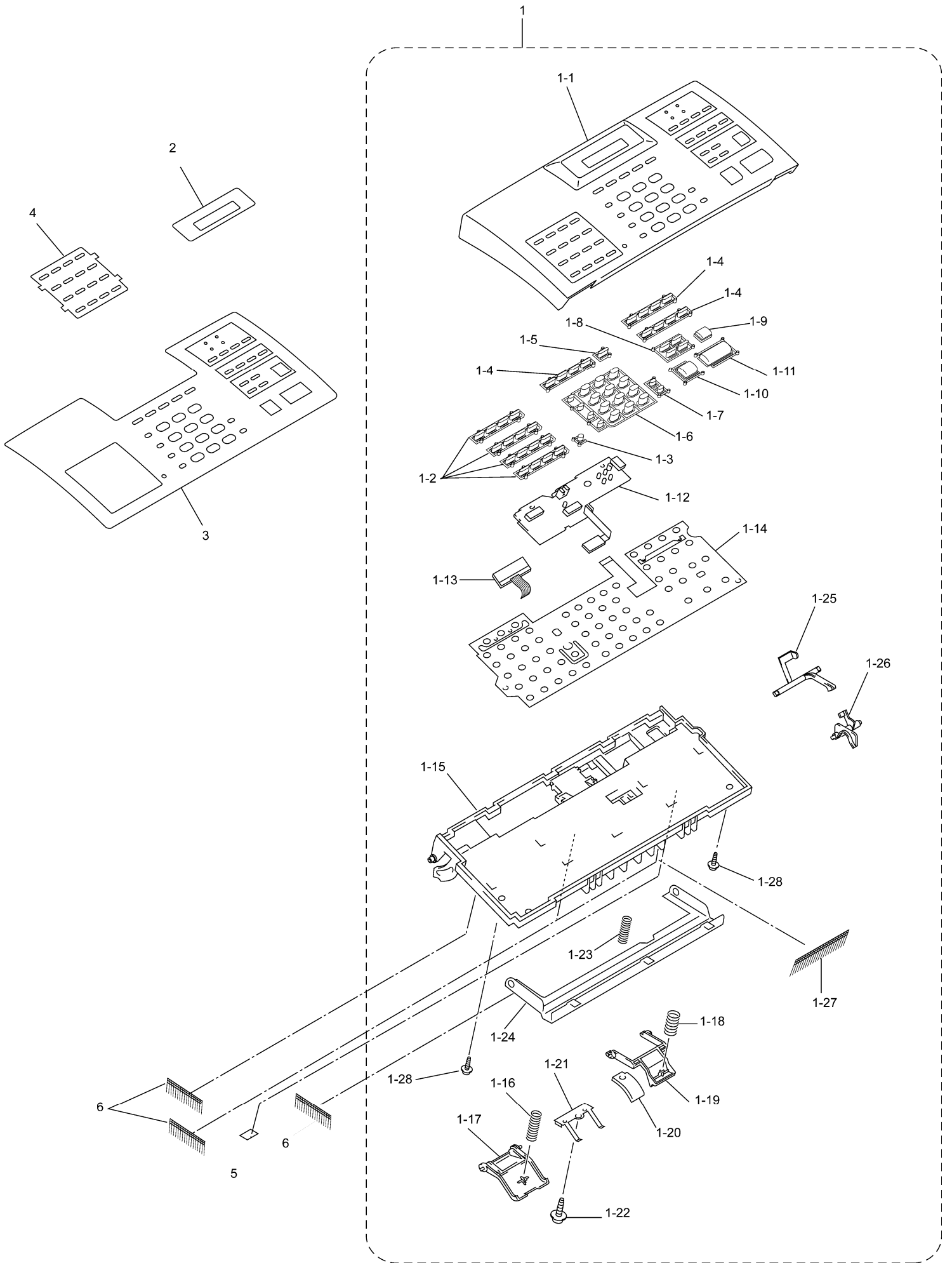
REF No.	CODE	QTY	DESCRIPTION	RECOMMEND	REMARK	ORDER TO BIUK
1	LJ7162001	1	FIXING UNIT, 230V (SP)	√		
1-1	LJ5682001	1	CLEANER ASSY			
1-2	UH3635001	1	CLEANER SPRING 30			
1-3	LJ5684001	1	HEAT ROLLER 25			
1-4	UL8908001	2	HR BEARING 25			
1-5	LJ5695001	1	HALOGEN LAMP, 230V			
1-6	LJ5276001	2	EJECT PINCH ROLLER HOLDER L			
1-7	LJ5277001	2	EJECT PINCH ROLLER HOLDER R			
1-8	LJ5278001	8	EJECT PINCH ROLLER			
1-9	LJ5279001	4	EJECT PINCH SPRING			
1-10	LJ7877001	4	PICK OFF FINGER ASSY C		chg	
1-11	087310615	4	TAPTITE, CUP B M3X6			
1-12	LJ5686001	1	THERMISTOR ASSY			
1-13	085311216	1	SCREW, BIND B TITE 3X12			
1-14	LJ5734001	1	EJECT ACTUATOR 2			
1-15	LJ5732001	1	EJECT ACTUATOR SPRING 2			
1-16	LJ5736001	1	ACTUATOR HOLDER			
1-17	LJ5735001	1	EJECT ACTUATOR 3			
1-18	085311015	6	SCREW, BIND B TITE 3X10			
1-19	UL8916001	2	PR BEARING			
1-20	LJ5690001	2	PR SPRING			
1-21	LJ5268001	5	CLEANER PINCH ROLLER ASSY			
1-22	LJ5287001	1	PRESSURE ROLLER 25			
1-23	UL8920001	1	PAPER EJECT ACTUATOR			
1-24	UL8921001	1	EJECT ACTUATOR SPRING			
1-25	087312015	2	TAPTITE, CUP B M3X20			
1-26	UL8923001	1	FU DRIVER GEAR			
1-27	LM2047001	2	IDLE GEAR 13		chg	
1-28	UL8910001	1	HR GEAR 34		add	
1-29	LJ4118001	1	EJECT ROLLER ASSY		ADD	
2	087320815	1	TAPTITE, CUP S M3X8			
3	LJ4740001	2	SHOULDER SCREW			
4	LJ4432001	2	TAPE 32X12			
5	LJ8841001	1	JAM SENSOR PCB ASSY			
6	085311015	1	SCREW, BIND B TITE 3X10			





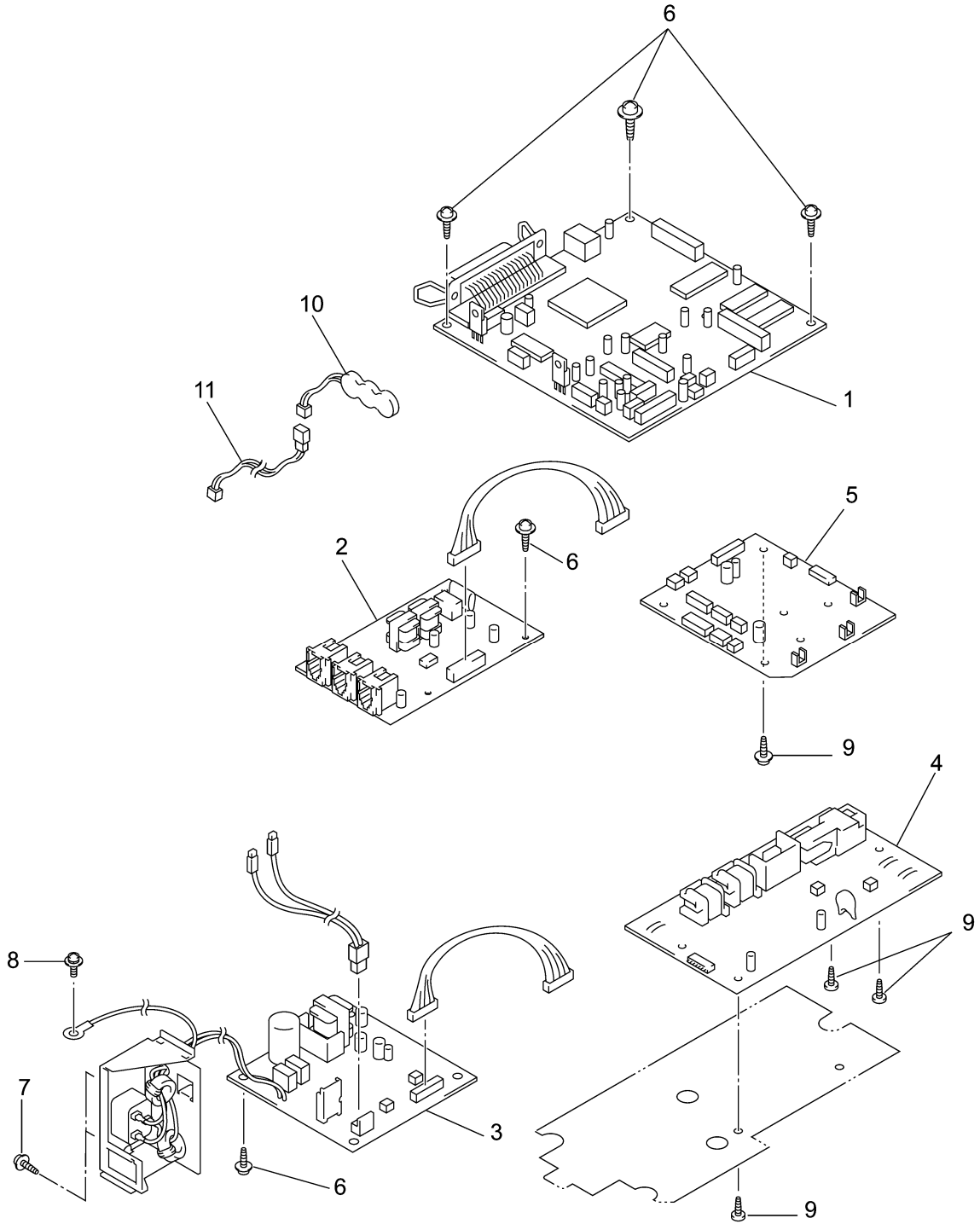
## LIST7 (COVER)

REF No.	CODE	QTY	DESCRIPTION	RECOMMEND	REMARK	ORDER TO BIUK
1	LJ5751001	1	MAIN COVER ASSY, GRAY(1495)			
2	UL9122001	4	PINCH ROLLER ASSY			
3	UL9125001	4	PINCH ROLLER SPRING			
4	LJ5763001	1	OUTER CHUTE, GRAY(1495)			
5	UL9127001	1	CHUTE SPRING L			
6	UL9128001	1	CHUTE SPRING R			
7	UU2102003	1	FRONT COVER ASSY, EXCEPT FOR FAX8370, GRAY(1495)			
7	LE8478001	1	FRONT COVER ASSY, FAX8370, GRAY(1495)			
7-1	UU2094001	1	FRONT SUB COVER, GRAY(1495)			
7-2	087310815	1	TAPTITE, CUP B M3X8			
8	UL9140001	1	PAPER SUB TRAY, GRAY(1495)			
9	----		NOT USED			
10	----		NOT USED			
11	----		NOT USED			
12	UU2045001	1	SWITCH COVER, GRAY(1495)			
13	UU2002001	1	REAR COVER, GRAY(1495)			
14	0A5401006	3	SCREW, PAN (S/P WASHER) M4X10			
15	UU2003001	1	TOP COVER, GRAY(1495)			
16	UL9142001	1	EXIT ROLLER ASSY			
17	LJ4125001	1	ANTI-STATIC BRUSH (LONG)			
18	LE1242001	1	ANTI-STATIC BRUSH (SHORT)			
19	UF6114008	1	DOCUMENT GUIDE, L, EXCEPT FOR FAX8370, GRAY(1495)			
19	UF6114009	1	DOCUMENT GUIDE, L, FOR FAX8370, CLEAR PURPLE(6342)		add	
20	UF6115008	1	DOCUMENT GUIDE, R, EXCEPT FOR FAX8370, GRAY(1495)			
20	UF6115009	1	DOCUMENT GUIDE, R, FOR FAX8370, CLEAR PURPLE(6342)		add	
21	UF4417000	1	GUIDE GEAR			
22	UF4418001	1	SPRING, COMPRESSION			
23	UF5034001	1	TAPTITE, B 3X6			
24	LG2210001	1	SPEAKER UNIT			
25	UU2048001	1	HANDSET HOLDER ASSY, FAX8370		add	
26	UF8166008	1	LOWER HANDSET HOLDER, FAX8370		add	
27	LE1023001	1	DUMMY COVER, EXCEPT FOR FAX8370			
28	LG4419002	1	HOOK PCB ASSY, FAX8370		CHG	
29	UF8167008	1	ACTUATOR HOOK, FAX8370		add	
30	087311016	2	TAPTITE, CUP B M3X10			
31	----		NOT USED			
32	085320816	5	TAPTITE, BIND S M3X8			
33	087321015	2	TAPTITE, CUP S M3X10			
34	UF9823001	2	SHOULDER SCREW			
35	UF5745000	1	MJ COVER FOR GER/UK/FRA/BEL/FIN/DEN/AUS/ITA/ZAF/SWE		CHG	
36	LE8190001	1	SUB BACK COVER, FAX8360P		chg	



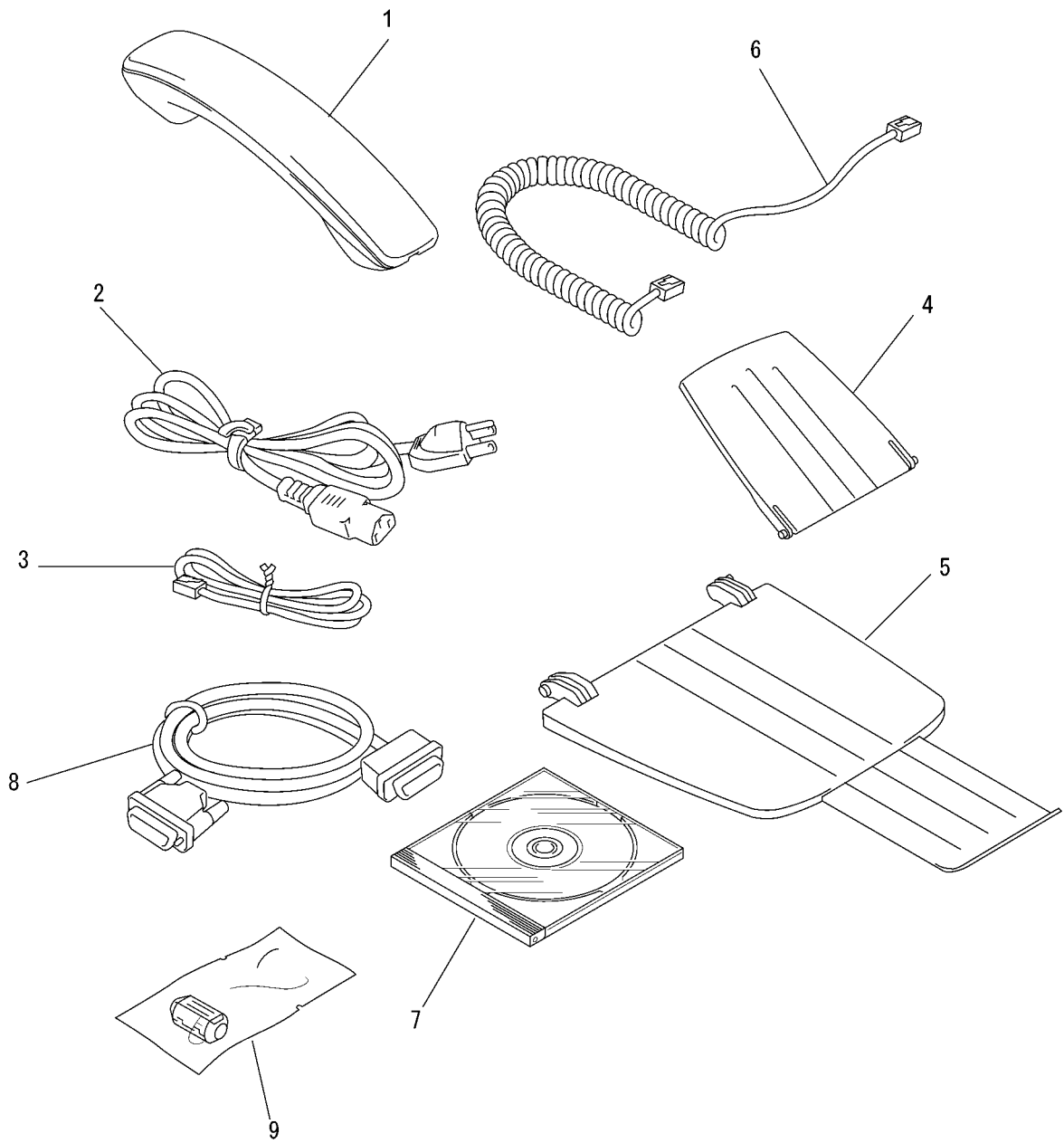
## LIST8 (CONTROL PANEL)

REF No.	CODE	QTY	DESCRIPTION	RECOMMEND	REMARK	ORDER TO BIUK
1	LE7308001	1	CONTROL PANEL ASSY, MFC9660	√		
1	LE8071001	1	CONTROL PANEL ASSY, FAX8360P/FAX8370			
1-1	UU2004001	1	CONTROL PANEL, GRAY(1495)			
1-2	UF8176008	4	KEY, ONE TOUCH, GRAY(1495)			
1-3	UF4576008	1	KEY, SHIFT, GRAY(1495)			
1-4	UF9118006	3	KEY, FUNCTION, GRAY(1495), MFC9660			
1-4	UF9118006	2	KEY, FUNCTION, GRAY(1495), FAX8360P/FAX8370			
1-5	UF5581010	1	KEY, FUNCTION91, GRAY(1495)			
1-6	UF4393007	1	KEY, TEN, GRAY(1495)			
1-7	UU7099008	1	KEY, VOLUME, GRAY(1495)			
1-8	UU7100008	1	KEY, COPY AREA, GRAY(1495)			
1-9	UF8174009	1	KEY, COPY, GREEN(5159)			
1-10	UF8173004	1	KEY, STOP, PINK(2205)			
1-11	UF8172006	1	KEY, START, PURPLE(6255)			
1-12	LG2212001	1	CONTROL PANEL PCB ASSY			
1-13	UG4552000	1	LCD			
1-14	LE1155001	1	FPC KEY (SP)			
1-15	UU2005001	1	PANEL REAR COVER			
1-16	UU2051001	1	DOCUMENT NIP PIECE SPRING			
1-17	UU2052001	1	DOCUMENT NIP PIECE			
1-18	UU2053001	1	ADF SPRING			
1-19	UU2054001	1	SPILLING PLATE, B			
1-20	UU2055001	1	SEPARATION RUBBER			
1-21	UU2056001	1	SPRING PLATE, A			
1-22	UF5034001	1	TAPTITE, B 3X6			
1-23	UU2057001	1	DOCUMENT PRESSURE SPRING			
1-24	LE6342001	1	DOCUMENT PRESSURE BAR ASSY			
1-25	UU2061001	1	DOCUMENT FRONT SENSOR ACTUATOR			
1-26	UU2062001	1	DOCUMENT REAR SENSOR ACTUATOR			
1-27	LE7305001	1	ANTI-STATIC BRUSH			
1-28	087310815	2	TAPTITE, CUP B M3X8			
2	UU2063002	1	LCD SHEET			
3	LE7319001	1	PANEL SHEET, MFC9660 FOR GER/AUS	√		√
3	LE8173001	1	PANEL SHEET, FAX8360P FOR GER/AUS	√		√
3	LE7329001	1	PANEL SHEET, MFC9660 FOR UK/BEL/NLD/CHE/IRE/ZAF	√		√
3	LE8177001	1	PANEL SHEET, FAX8360P FOR UK/BEL/NLD/CHE/IRE/ZAF/GNR	√		√
3	LE7333001	1	PANEL SHEET, MFC9660 FOR FRA	√		√
3	LE8181001	1	PANEL SHEET, FAX8360P FOR FRA	√		√
3	LE7691001	1	PANEL SHEET, MFC9660 FOR NOR	√		√
3	LE8209001	1	PANEL SHEET, FAX8360P FOR NOR	√		√
3	LE7692001	1	PANEL SHEET, MFC9660 FOR FIN	√		√
3	LE7693001	1	PANEL SHEET, MFC9660 FOR DEN	√		√
3	LE7694001	1	PANEL SHEET, MFC9660 FOR SPA	√		√
3	LE8219001	1	PANEL SHEET, FAX8360P FOR SPA	√		√
3	LE7695001	1	PANEL SHEET, MFC9660 FOR ITA	√		√
3	LE7696001	1	PANEL SHEET, MFC9660 FOR SWE	√		√
3	LE8222001	1	PANEL SHEET, FAX8360P FOR SWE	√		√
3	LE7856001	1	PANEL SHEET, MFC9660 FOR ARL/NZ/ASA	√		√
3	LE8231001	1	PANEL SHEET, FAX8360P FOR ARL/NZ/ASA	√		√
3	LE8450001	1	PANEL SHEET, FAX8370	√		√
4	UU2067001	1	ADDRESS LABEL, EXCEPT FOR MFC9660 ZAF, GRAY(1495)		add	
4	LE1509001	1	ADDRESS LABEL, MFC9660 FOR ZAF, GRAY(1495)		ADD	
5	LE1706001	2	HOLE SHIELD FILM			
6	LE7304001	3	ANTI-STATIC SUB BRUSH			



## LIST9 (PCB ASSY)

REF No.	CODE	Q'TY	DESCRIPTION	RECOMMEND	REMARK	ORDER TO BIUK
1	LG4034001	1	MAIN PCB ASSY, MFC9660	√		
1	LG3928001	1	MAIN PCB ASSY, FAX8360P	√		
1	LG4039001	1	MAIN PCB ASSY, FAX8370	√	add	
2	LG2295061	1	NCU PCB ASSY FOR GER/UK/FRA/NOR/BEL/NLD/CHE/IRE/FIN/DEN/AUS/SPA/ ITA/ZAF/SWE/GNR	√		
2	LG2819002	1	NCU PCB ASSY FOR ARL/NZ	√		
2	LG2821002	1	NCU PCB ASSY FOR ASA	√		
2	LG2820070	1	NCU PCB ASSY, FAX8370	√	add	
3	LJ9609001	1	LOW VOLTAGE POWER SUPPLY PCB ASSY, 230V, EXCEPT FOR ASA/CHN	√	add	
3	<del>LG4046004</del>	4	<del>LOW VOLTAGE POWER SUPPLY PCB ASSY, 230V FOR ARL/NZ-</del>	√	DEL	
3	LG4023001	1	LOW VOLTAGE POWER SUPPLY PCB ASSY, 230V FOR ASA/CHN	√		
4	LF2609001	1	HIGH-VOLTAGE POWER SUPPLY ASSY (SP)	√	add	
4	<del>LJ5831004</del>	4	<del>HIGH-VOLTAGE POWER SUPPLY ASSY (SP) FOR ARL/NZ/ASA/CHN-</del>	√	DEL	
5	LG3256001	1	ENGINE PCB ASSY	√		
6	087320616	5	TAPTITE, CUP S M3X6			
7	084320815	2	SCREW, FLAT S M3X8			
8	LM2048001	1	SCREW, PAN(WASHER)M3.5X6		chg	
9	085411215	4	SCREW, BIND B TITE M4X12			
10	LG3623001	1	BATTERY			
11	LG3624001	1	BATTERY HARNESS			



## LIST10 (ACCESSORIES)

REF No.	CODE	Q'TY	DESCRIPTION	RECOMMEND	REMARK	ORDER TO BIUK
1	UF6857010	1	HANDSET ASSY, FAX8370		add	
2	LG4424001	1	AC CORD ASSY, EUR VDE FOR GER/FRA/NOR/BEL/NLD/FIN/AUS/SPA/ITA/SWE/GNR	√	chg	√
2	LG2359001	1	AC CORD ASSY, EUR BS FOR UK/IRE	√		√
2	LG4718001	1	AC CORD ASSY, EUR SEV FOR CHE	√	chg	√
2	LG2361001	1	AC CORD ASSY, EUR DEMCO, FOR DEN	√		√
2	LJ9667001	1	AC CORD ASSY, SAA FOR ARL/NZ	√	chg	
2	LG6404001	1	AC CORD BAG ASSY LF ZAF	√	chg	√
2	LG2085001	1	AC CORD ASSY, VDE FOR ASA	√		
2	LG6208001	1	AC CORD BAG ASSY LF BS/PSB, FAX8360P/MFC9660 FOR ASA	√	chg	
2	LJ9353001	1	AC CORD ASSY LF FOR CHN	√	chg	
3	UG3625001	1	TELEPHONE LINE CORD FOR GER			√
3	UG3626001	1	TELEPHONE LINE CORD FOR UK/ZAF			√
3	UG3627001	1	TELEPHONE LINE CORD FOR FRA			√
3	UG3629001	1	TELEPHONE LINE CORD FOR NOR			√
3	UG1575001	1	TELEPHONE LINE CORD FOR BEL			√
3	LG3077001	1	TELEPHONE LINE CORD FOR NLD/IRE/SPA/ASA/ARL/GNR/CHN, FAX8360P FOR NZ			
3	UG3469000	1	TELEPHONE LINE CORD FOR CHE			√
3	LG5827001	1	TELEPHONE LINE CORD FOR FIN/DEN/SWE		chg	
3	<del>UG3633001</del>	4	<del>TELEPHONE LINE CORD FOR DEN</del>		del	
3	UG4205001	1	TELEPHONE LINE CORD FOR AUS			√
3	UG3634001	1	TELEPHONE LINE CORD FOR ITA			
3	<del>UG3635001</del>	4	<del>TELEPHONE LINE CORD FOR SWE</del>		del	√
3	UG3290001	1	TELEPHONE LINE CORD FOR NZ, FAX8360P FOR ARL			
4	UU2080008	1	DOCUMENT SUPPORT, CLEAR PURPLE(6342)			
5	UU2069008	1	DOCUMENT TRAY, CLEAR PURPLE(6342)			
6	LF2519008	1	HANDSET CURLED CORD LL ASSY, FAX8370		CHG	
7	LE7320001	1	CD-ROM ASSY, MFC9660 FOR GER/UK/FRA/CHE/IRE/AUS/ZAF			√
7	LE7860001	1	CD-ROM ASSY, MFC9660 FOR NOR/DEN/SWE			√
7	LE7857001	1	CD-ROM ASSY, MFC9660 FOR SPA/ITA			√
7	LE7960001	1	CD-ROM ASSY, MFC9660 FOR BEL/NLD/FIN			√
7	LE8155001	1	CD-ROM ASSY, MFC9660 FOR ARL/NZ/ASA			
8	UG4558001	1	I/F CABLE, MFC9660 FOR GER/UK/IRE/AUS/ARL/NZ/ASA			
9	<del>LE7699001</del>	4	<del>FERRITE CORE BAG ASSY FOR ARL/ASA</del>		del	
(10)	LG3622001	1	TELEPHONE PLUG FOR NLD			
(10)	LG3509001	1	TELEPHONE PLUG FOR ARL, FAX8360P FOR NZ			
(10)	UG1573000	1	TELEPHONE PLUG FOR BEL			
(10)	LG5829001	1	TELEPHONE PLUG FOR FIN		add	
(10)	LG5828001	1	TELEPHONE PLUG FOR DEN		add	
(10)	LG5830001	1	TELEPHONE PLUG FOR SWE		add	
(10)	<del>LG4566001</del>	4	<del>TELEPHONE PLUG FOR DEN</del>		del	
(11)	LE8773001	1	CD-ROM ASSY XP, MFC9660 FOR GER/UK/FRA/CHE/IRE/AUS/ZAF		add	
(11)	LE8775001	1	CD-ROM ASSY XP, MFC9660 FOR NOR/DEN/SWE		add	
(11)	LE8776001	1	CD-ROM ASSY XP, MFC9660 FOR BEL/NLD/FIN		add	
(11)	LE8774001	1	CD-ROM ASSY XP, MFC9660 FOR SPA/ITA		add	
(11)	LE8917001	1	CD-ROM ASSY, FOR FAX8370		add	

## LIST11 (PRINTED MATERIAL)

REF No.	CODE	QTY	DESCRIPTION	RECOMMEND	REMARK	ORDER TO BIUK
(1)	LE7324001	1	OWNER'S MANUAL ASSY, MFC9660 FOR GER/AUS (INCLUDING OWNER'S MANUAL(1-1), PAN EURO WARRANTY LEAFLET, LICENSE AGREEMENT SHEET)	√		√
(1)	LF2516001	1	OWNER'S MANUAL ASSY, FAX8360P FOR GER (INCLUDING OWNER'S MANUAL(1-1), PAN EURO WARRANTY LEAFLET, 3YR GUARANTEE CARD)	√	ADD	√
(1)	LE8174001	1	OWNER'S MANUAL ASSY, FAX8360P FOR AUS (INCLUDING OWNER'S MANUAL(1-1), PAN EURO WARRANTY LEAFLET)	√		√
(1)	LE7330001	1	OWNER'S MANUAL ASSY, MFC9660 FOR UK (INCLUDING OWNER'S MANUAL(1-1), PAN EURO WARRANTY LEAFLET, LICENSE AGREEMENT SHEET, 2 WARRANTY CARDS)	√		√
(1)	LE8178001	1	OWNER'S MANUAL ASSY, FAX8360P FOR UK (INCLUDING OWNER'S MANUAL(1-1), PAN EURO WARRANTY LEAFLET, 2 WARRANTY CARDS)	√		√
(1)	LE7334001	1	OWNER'S MANUAL ASSY, MFC9660 FOR FRA (INCLUDING OWNER'S MANUAL(1-1), PAN EURO WARRANTY LEAFLET, LICENSE AGREEMENT SHEET, WARRANTY CARD)	√		√
(1)	LE8182001	1	OWNER'S MANUAL ASSY, FAX8360P FOR FRA (INCLUDING OWNER'S MANUAL(1-1), PAN EURO WARRANTY LEAFLET, WARRANTY CARD)	√		√
(1)	LE7902001	1	OWNER'S MANUAL ASSY, MFC9660 FOR NOR (INCLUDING OWNER'S MANUAL(1-1), PAN EURO WARRANTY LEAFLET, LICENSE AGREEMENT SHEET)	√		√
(1)	LE8210001	1	OWNER'S MANUAL ASSY, FAX8360P FOR NOR (INCLUDING OWNER'S MANUAL(1-1), PAN EURO WARRANTY LEAFLET)	√		√
(1)	LE7922001	1	OWNER'S MANUAL ASSY, MFC9660 FOR BEL (INCLUDING 2 OWNER'S MANUALS(1-1), PAN EURO WARRANTY LEAFLET, LICENSE AGREEMENT SHEET)	√		√
(1)	LE8212001	1	OWNER'S MANUAL ASSY, FAX8360P FOR BEL (INCLUDING 2 OWNER'S MANUALS(1-1), PAN EURO WARRANTY LEAFLET)	√		√
(1)	LE7905001	1	OWNER'S MANUAL ASSY, MFC9660 FOR NLD (INCLUDING OWNER'S MANUAL(1-1), PAN EURO WARRANTY LEAFLET, LICENSE AGREEMENT SHEET)	√		√
(1)	LE8216001	1	OWNER'S MANUAL ASSY, FAX8360P FOR NLD (INCLUDING OWNER'S MANUAL(1-1), PAN EURO WARRANTY LEAFLET)	√		√
(1)	LE7907001	1	OWNER'S MANUAL ASSY, MFC9660 FOR CHE (INCLUDING 2 OWNER'S MANUALS(1-1), PAN EURO WARRANTY LEAFLET, LICENSE AGREEMENT SHEET)	√		√
(1)	LE8217001	1	OWNER'S MANUAL ASSY, FAX8360P FOR CHE (INCLUDING 2 OWNER'S MANUALS(1-1), PAN EURO WARRANTY LEAFLET)	√		√
(1)	LE7909001	1	OWNER'S MANUAL ASSY, MFC9660 FOR IRE (INCLUDING OWNER'S MANUAL(1-1), PAN EURO WARRANTY LEAFLET, LICENSE AGREEMENT SHEET)	√		√
(1)	LE8229001	1	OWNER'S MANUAL ASSY, FAX8360P FOR IRE (INCLUDING OWNER'S MANUAL(1-1), PAN EURO WARRANTY LEAFLET)	√		√
(1)	LE7912001	1	OWNER'S MANUAL ASSY, MFC9660 FOR FIN (INCLUDING OWNER'S MANUAL(1-1), LICENSE AGREEMENT SHEET)	√		√
(1)	LE7913001	1	OWNER'S MANUAL ASSY, MFC9660 FOR DEN (INCLUDING OWNER'S MANUAL(1-1), PAN EURO WARRANTY LEAFLET, LICENSE AGREEMENT SHEET)	√		√
(1)	LE7917001	1	OWNER'S MANUAL ASSY, MFC9660 FOR SPA (INCLUDING OWNER'S MANUAL(1-1), PAN EURO WARRANTY LEAFLET, LICENSE AGREEMENT SHEET, WARRANTY CARD)	√		√
(1)	LE8228001	1	OWNER'S MANUAL ASSY, FAX8360P FOR SPA (INCLUDING OWNER'S MANUAL(1-1), PAN EURO WARRANTY LEAFLET, WARRANTY CARD)	√		√
(1)	LE7919001	1	OWNER'S MANUAL ASSY, MFC9660 FOR ITA (INCLUDING OWNER'S MANUAL(1-1), PAN EURO WARRANTY LEAFLET, LICENSE AGREEMENT SHEET)	√		√
(1)	LE8925001	1	OWNER'S MANUAL ASSY, MFC9660 FOR ZAF (INCLUDING OWNER'S MANUAL(1-1), LICENSE AGREEMENT SHEET)	√	add	√
(1)	LE8225001	1	OWNER'S MANUAL ASSY, FAX8360P FOR ZAF/GNR (INCLUDING OWNER'S MANUAL(1-1))	√		√



LIST11 (PRINTED MATERIAL)

REF No.	CODE	Q'TY	DESCRIPTION	RECOMMEND	REMARK	ORDER TO BIUK
(1)	LE7920001	1	OWNER'S MANUAL ASSY, MFC9660 FOR SWE (INCLUDING OWNER'S MANUAL(1-1), PAN EURO WARRANTY LEAFLET, LICENSE AGREEMENT SHEET, WARRANTY CARD)	√		√
(1)	LE8223001	1	OWNER'S MANUAL ASSY, FAX8360P FOR SWE (INCLUDING OWNER'S MANUAL(1-1), PAN EURO WARRANTY LEAFLET, WARRANTY CARD)	√		√
(1)	LE8553001	1	USER'S GUIDE ASSY, MFC9660 FOR ARL (INCLUDING USER'S GUIDE(1-1), LICENSE GUIDE)	√		
(1)	LE8554001	1	USER'S GUIDE ASSY, MFC9660 FOR NZ (INCLUDING USER'S GUIDE(1-1), WARRANTY CARD, LICENSE GUIDE)	√		
(4)	<del>LE8237004</del>	4	<del>OWNER'S MANUAL ASSY, FAX8360P FOR ARL/NZ (INCLUDING OWNER'S MANUAL(1-1), WARRANTY CARD)</del>	<del>√</del>		
(1)	LE8555001	1	USER'S GUIDE ASSY, MFC9660 FOR ASA (INCLUDING USER'S GUIDE(1-1), LICENSE GUIDE, QUICK REFERENCE GUIDE)	√		
(1)	LE8232001	1	OWNER'S MANUAL ASSY, FAX8360P FOR ARL/NZ/ASA (INCLUDING OWNER'S MANUAL(1-1))	√		
(1)	LE8480001	1	USER'S GUIDE ASSY, FAX8370 (INCLUDING USER'S GUIDE(1-1), WARRANTY CARD)	√	add	
(1-1)	LE7325003	1	OWNER'S MANUAL, MFC9660 FOR GER			√
(1-1)	LE8175003	1	OWNER'S MANUAL, FAX8360P FOR GER/AUS			√
(1-1)	LE7331004	1	OWNER'S MANUAL, MFC9660 FOR UK/IRE/ZAF			√
(1-1)	LE8179004	1	OWNER'S MANUAL, FAX8360P FOR UK/IRE/ZAF/GNR			√
(1-1)	LE7331005	1	OWNER'S MANUAL, MFC9660 FOR FRA			√
(1-1)	LE8179005	1	OWNER'S MANUAL, FAX8360P FOR FRA			√
(1-1)	LE7331007	1	OWNER'S MANUAL, MFC9660 FOR NOR			√
(1-1)	LE8179007	1	OWNER'S MANUAL, FAX8360P FOR NOR			√
(1-1)	LE7331008	1	OWNER'S MANUAL, MFC9660 FOR BEL/NLD <DUTCH>			√
(1-1)	LE8179008	1	OWNER'S MANUAL, FAX8360P FOR BEL/NLD <DUTCH>			√
(1-1)	LE7788008	1	OWNER'S MANUAL, MFC9660 FOR BEL/CHE <FRENCH>			√
(1-1)	LE8213008	1	OWNER'S MANUAL, FAX8360P FOR BEL/CHE <FRENCH>			√
(1-1)	LE7331010	1	OWNER'S MANUAL, MFC9660 FOR CHE <GERMAN>			√
(1-1)	LE8179010	1	OWNER'S MANUAL, FAX8360P FOR CHE <GERMAN>			√
(1-1)	LE7331012	1	OWNER'S MANUAL, MFC9660 FOR FIN			√
(1-1)	LE7331013	1	OWNER'S MANUAL, MFC9660 FOR DEN			√
(1-1)	LE7331015	1	OWNER'S MANUAL, MFC9660 FOR SPA			√
(1-1)	LE8179015	1	OWNER'S MANUAL, FAX8360P FOR SPA			√
(1-1)	LE7331016	1	OWNER'S MANUAL, MFC9660 FOR ITA			√
(1-1)	LE7331026	1	OWNER'S MANUAL, MFC9660 FOR SWE			√
(1-1)	LE8179026	1	OWNER'S MANUAL, FAX8360P FOR SWE			√
(1-1)	LE8519001	1	USER'S GUIDE, MFC9660 FOR ARL/NZ/ASA			
(1-1)	LE8233001	1	OWNER'S MANUAL, FAX8360P FOR ARL/NZ/ASA			
(1-1)	LE8461001	1	USER'S GUIDE, FAX8370		add	
(1-1)	LE8919001	1	PRINTER SET UP GUIDE, FAX8370		add	

LIST12 (CARTON)

REF No.	CODE	QTY	DESCRIPTION	RECOMMEND	REMARK	ORDER TO BIUK
(1)	LE7313001	1	CARTON, BROTHER, MFC9660 FOR GER/UK/FRA/NOR/BEL/NLD/CHE/FIN/DEN/SPA/ITA/ZAF/SWE	1		
(1)	LE8170001	1	CARTON, BROTHER, FAX8360P FOR GER/UK/FRA/NOR/BEL/NLD/CHE/IRE/AUS/SPA/ZAF/SWE/GNR	1		
(1)	LE8114001	1	CARTON, BROTHER, MFC9660 FOR ARL/NZ/ASA	1		
(1)	LE8234001	1	CARTON, BROTHER, FAX8360P FOR ARL/NZ/ASA	1		
(1)	LE8482001	1	CARTON, BROTHER, FAX8370	1		
(2)	LE1292001	1	POLYSTYRENE FORM ASSY EXCEPT FOR FAX8370			
(2)	UE3119001	1	POLYSTYRENE FORM ASSY, FAX8370		add	
(3)	UE1688001	1	PE BAG 1000X1000H			
(4)	UE3122001	1	CARTON FOR MANUAL			
(5)	UU0456001	1	PROTECTION PAPER			
(6)	LJ5557001	1	PROCESS BAG 400X480			
(7)	LE7328001	1	START CARD, MFC9660 FOR GER/AUS			√
(7)	LE8176001	1	START CARD, FAX8360P FOR GER/AUS			√
(7)	LE7332001	1	START CARD, MFC9660 FOR UK/IRE/ZAF			√
(7)	LE8180001	1	START CARD, FAX8360P FOR UK/IRE/ZAF			√
(7)	LE7335001	1	START CARD, MFC9660 FOR FRA			√
(7)	LE8183001	1	START CARD, FAX8360P FOR FRA			√
(7)	LE7778001	1	START CARD, MFC9660 FOR NOR			√
(7)	LE8211001	1	START CARD, FAX8360P FOR NOR			√
(7)	LE7779001	1	START CARD, MFC9660 FOR BEL/NLD <DUTCH>			√
(7)	LE8214001	1	START CARD, FAX8360P FOR BEL/NLD <DUTCH>			√
(7)	LE7782001	1	START CARD, MFC9660 FOR BEL/CHE <FRENCH>			√
(7)	LE8215001	1	START CARD, FAX8360P FOR BEL/CHE <FRENCH>			√
(7)	LE7781001	1	START CARD, MFC9660 FOR CHE <GERMAN>			√
(7)	LE8218001	1	START CARD, FAX8360P FOR CHE <GERMAN>			√
(7)	LE7783001	1	START CARD, MFC9660 FOR FIN			√
(7)	LE7784001	1	START CARD, MFC9660 FOR DEN			√
(7)	LE7785001	1	START CARD, MFC9660 FOR SPA			√
(7)	LE8220001	1	START CARD, FAX8360P FOR SPA			√
(7)	LE7786001	1	START CARD, MFC9660 FOR ITA			√
(7)	LE7787001	1	START CARD, MFC9660 FOR SWE			√
(7)	LE8224001	1	START CARD, FAX8360P FOR SWE			√
(7)	LE7854001	1	START CARD, MFC9660 FOR ARL/NZ/ASA			√
(7)	LE8235001	1	START CARD, FAX8360P FOR ARL/NZ/ASA			√
(7)	LE8226001	1	START CARD, FAX8360P FOR GNR			√
(7)	LE8921001	1	START CARD, FAX8370		CHG	
(8)	LE8254001	1	QUICK SET UP GUIDE XP, MFC9660 FOR GER/CHE/AUS <GERMAN>		chg	
(8)	LE8252001	1	QUICK SET UP GUIDE XP, MFC9660 FOR UK/IRE/ZAF		chg	
(8)	LE8253001	1	QUICK SET UP GUIDE XP, MFC9660 FOR FRA/BEL/CHE <FRENCH>		chg	
(8)	LE8258001	1	QUICK SET UP GUIDE XP, MFC9660 FOR NOR		chg	
(8)	LE8255001	1	QUICK SET UP GUIDE XP, MFC9660 FOR BEL/NLD <DUTCH>		chg	
(8)	LE8261001	1	QUICK SET UP GUIDE XP, MFC9660 FOR FIN		chg	
(8)	LE8260001	1	QUICK SET UP GUIDE XP, MFC9660 FOR DEN		chg	
(8)	LE8257001	1	QUICK SET UP GUIDE XP, MFC9660 FOR SPA		chg	
(8)	LE8256001	1	QUICK SET UP GUIDE XP, MFC9660 FOR ITA		chg	
(8)	LE8259001	1	QUICK SET UP GUIDE XP, MFC9660 FOR SWE		chg	
(9)	LE8923001	1	USB BLIND SEAL, FAX8370		ADD	

**brother**®

8X5599  
PL-FAX021  
Ver. AD-3