
5 Parts and diagrams

- [Introduction](#)
- [Printer support](#)
- [Center and Roll covers](#)
- [Rear covers](#)
- [Cover Front Panel Side](#)
- [Cover SVS Side](#)
- [Center Assemblies](#)
- [Front Panel Side Assemblies](#)
- [SVS Side Assemblies](#)
- [Scan Axis Assemblies](#)
- [Paper Path Assemblies \(Front\)](#)
- [Paper Path Assemblies \(Center\)](#)
- [Stacker Parts \(Rear\)](#)
- [Stacker Parts \(Front\)](#)
- [Carriage Assembly](#)
- [Electrical Parts](#)
- [Miscellaneous Parts](#)
- [CIS Unit Construction](#)
- [Scanner Control Unit](#)

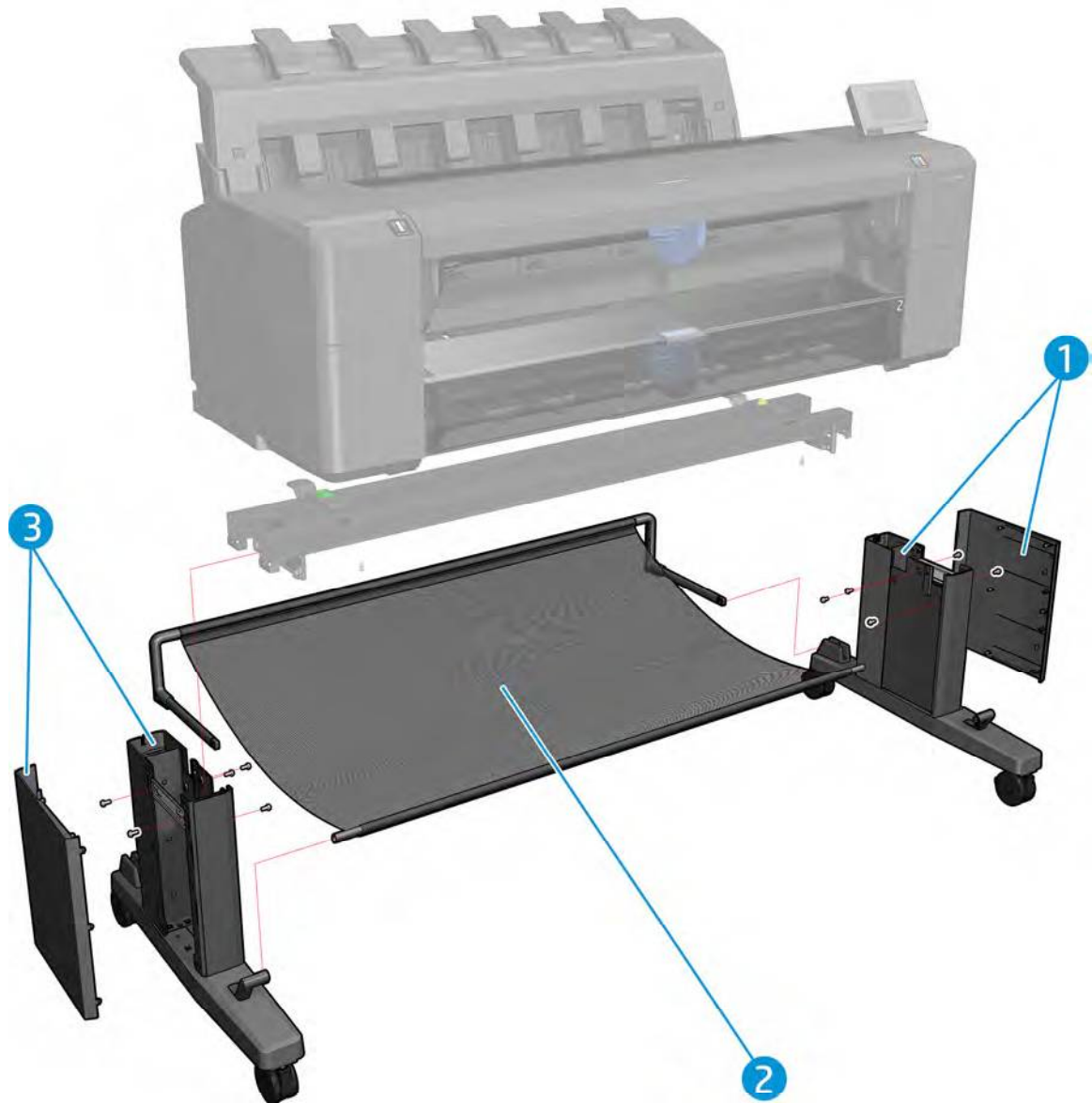
Introduction

The list of parts in this chapter include the notation CSR for parts that can be replaced by the customer. All [Customer Self Repair parts on page 246](#).

[Preventive Maintenance Kits on page 435](#).

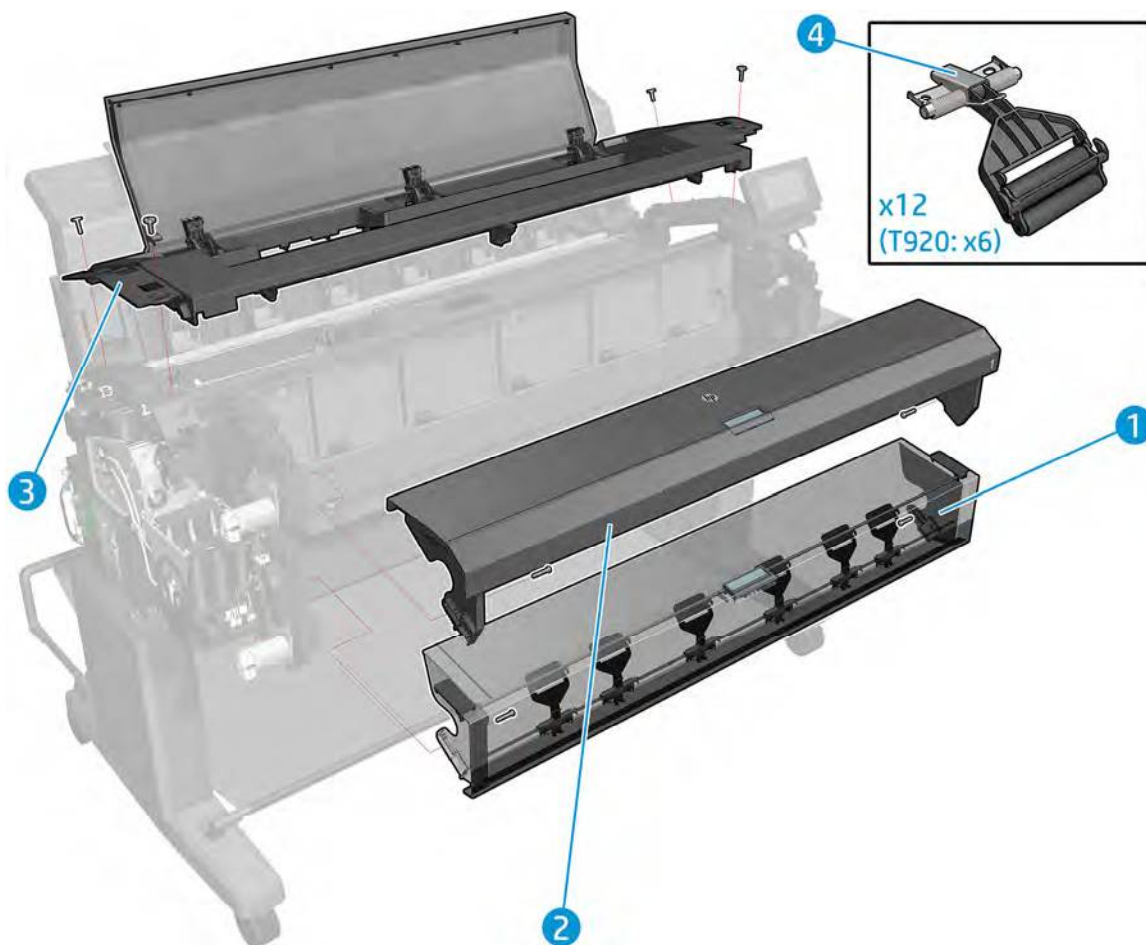
Unless otherwise indicated, service parts are compatible with all SKUs. Any limitations are indicated in the tables below:

Printer support



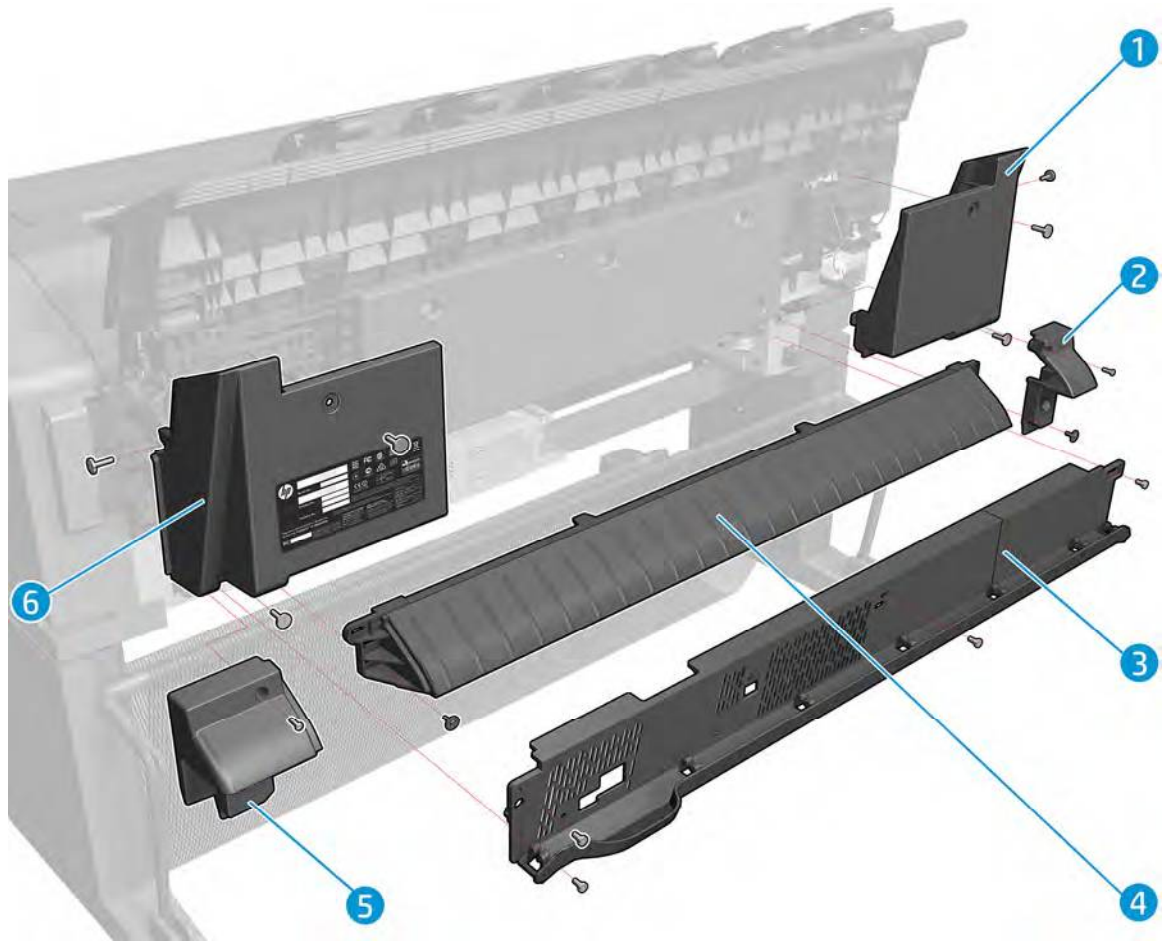
	Part number	Description	Cross-reference
1	CR357-67064		Customer Self Repair Flyers on page 437
2	CR357-67066		Customer Self Repair Flyers on page 437
3	CR357-67065		Customer Self Repair Flyers on page 437

Center and Roll covers



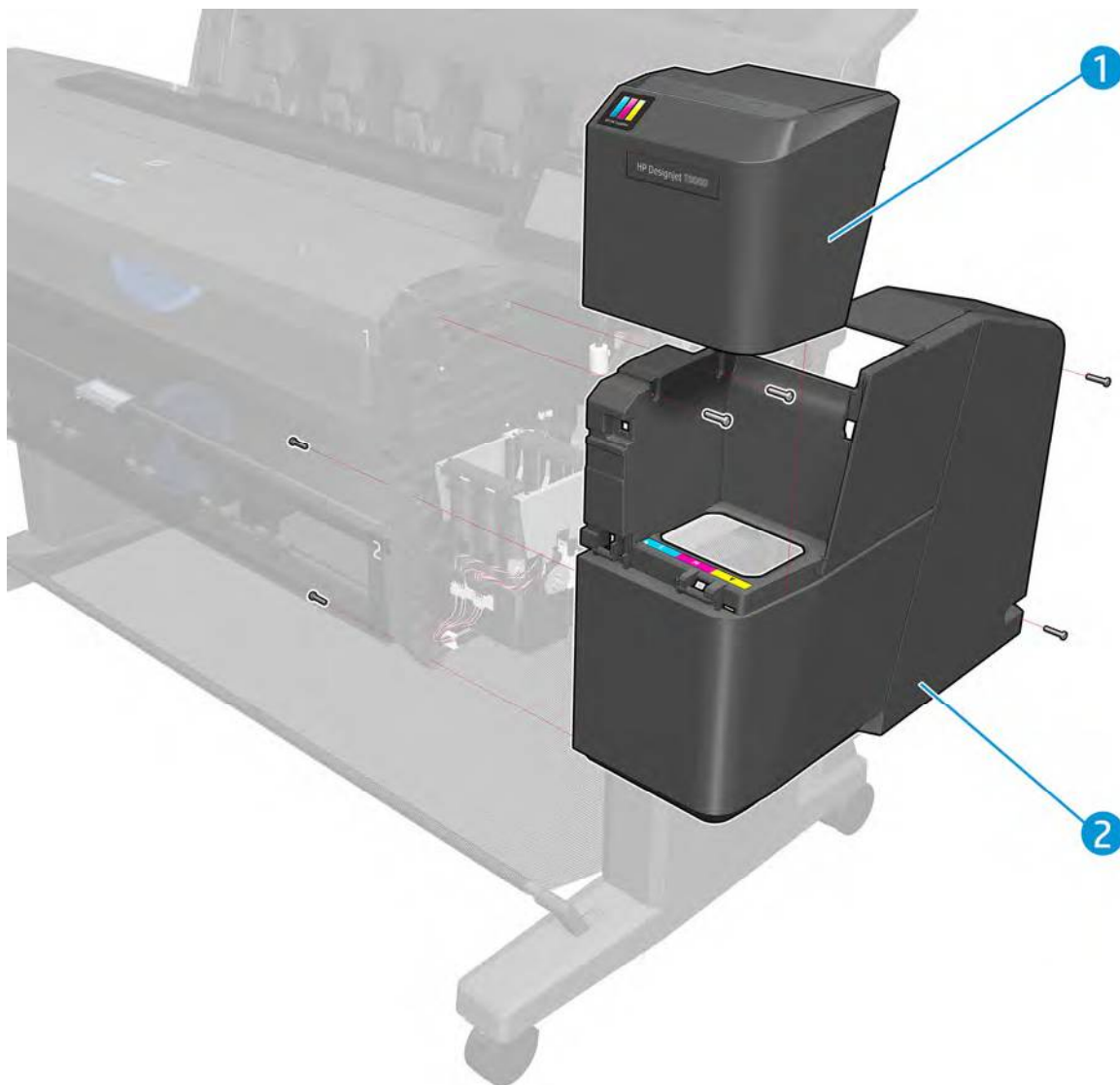
	Part number				Description	Cross-reference
	T920	T1500	T2500	T3500		
1	N/A	CR357-67036		B9E24-6 7003		Customer Self Repair Flyers on page 437
2	CR355-6 7001	CR357-67039		B9E24-6 7002		Customer Self Repair Flyers on page 437
3	CR357-67054		N/A			Center cover (T920 only) on page 254
4	CR357-67067			B9E24-6 7022		Customer Self Repair Flyers on page 437

Rear covers



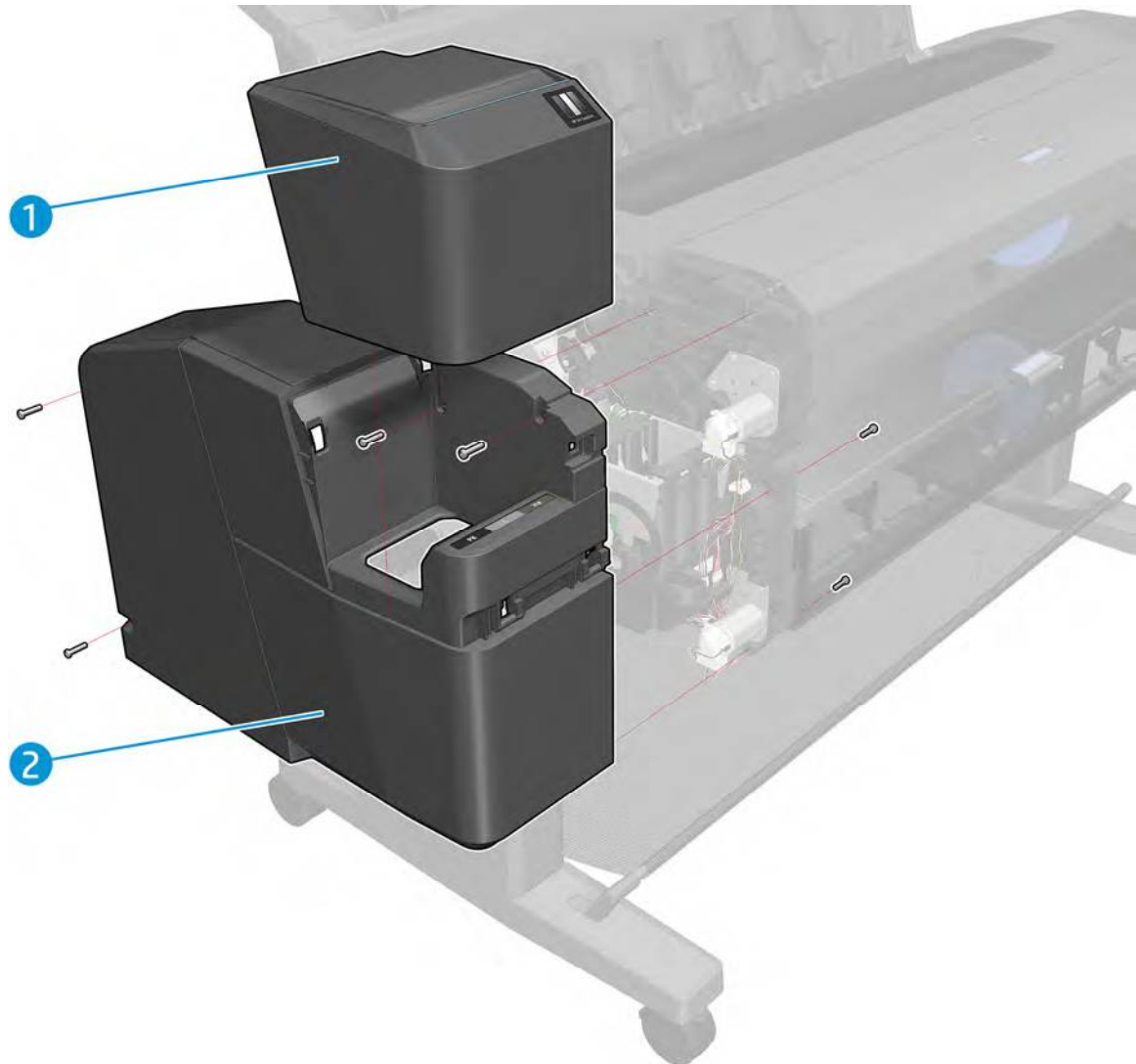
	Part number	Description	Cross-reference
1	CR357-67061		Fixed tray cover (service station side) on page 261
2	CR357-67063		Arch sidewall cover (service station side) on page 263
3	CR357-67055		Rear cover on page 264
4	CR357-67014		Arch sidewall cover (service station side) on page 263
5	CR357-67062		Arch sidewall cover (front panel side) on page 262
6	CR357-67060		Fixed tray cover (Front Panel side) on page 260

Cover Front Panel Side



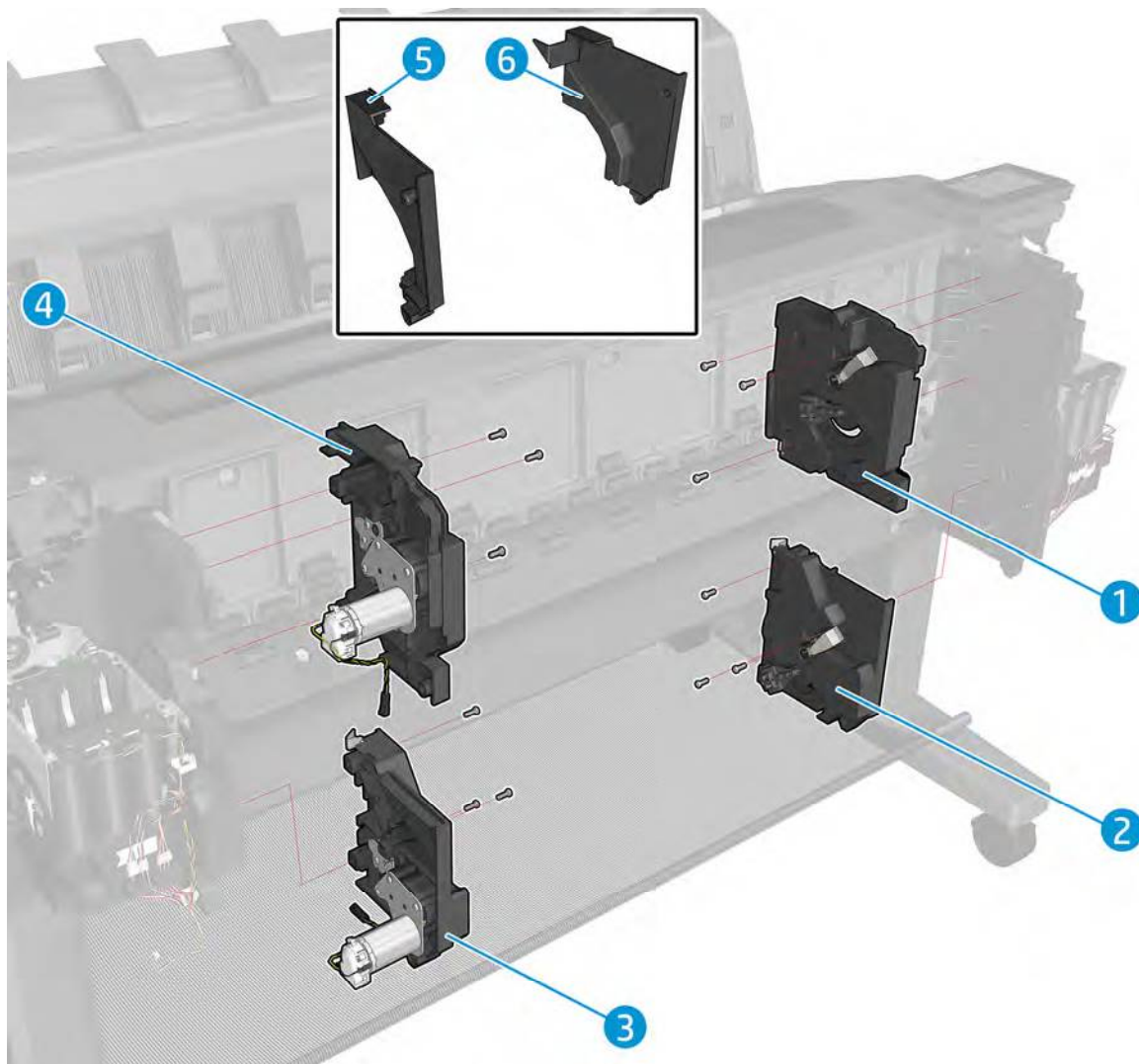
	Part number				Description	Cross-reference
	T920	T1500	T2500	T3500		
1	CR357-67058			B9E24-670 13		Customer Self Repair Flyers on page 437
2	CR357-67059			B9E24-670 11		Main cover (front panel side) on page 250

Cover SVS Side



	Part number				Description	Cross-reference
	T920	T1500	T2500	T3500		
1	CR357-67057			B9E24-6 7014		Customer Self Repair Flyers on page 437
2	CR357-67056			B9E24-6 7012		Main cover (service station side) on page 252

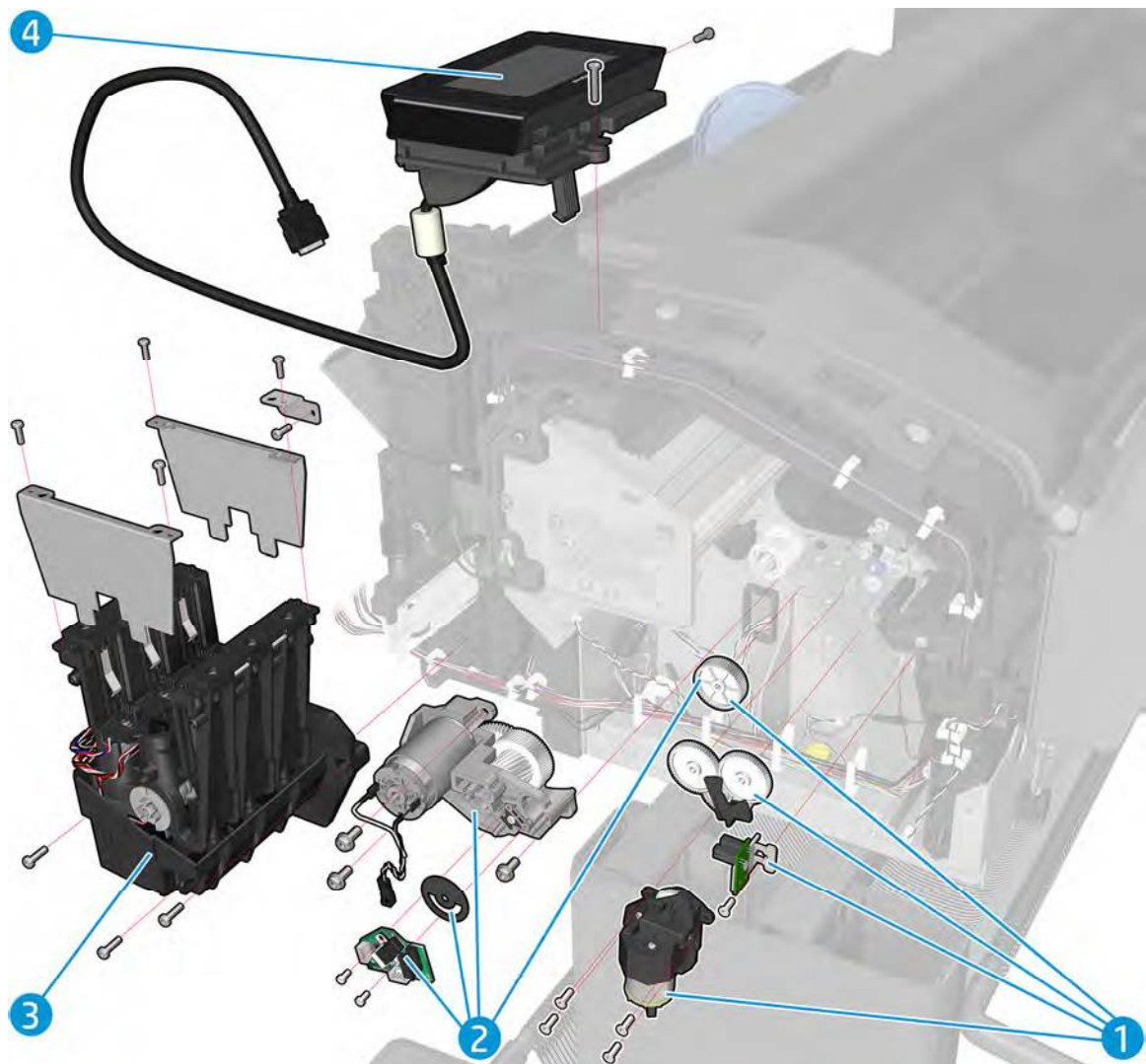
Center Assemblies



	Part number				Description	Cross-reference
	T920	T1500	T2500	T3500		
1	CR357-67038			B9E24-67005		Top Tip Support on page 326
2	N/A	CR357-67035		B9E24-67010		Bottom Tip Support on page 327
3	N/A	CR357-67034		B9E24-67009		Bottom Rewinder Support on page 322
4	CR357-67037			B9E24-67004		Top Rewinder Support on page 324

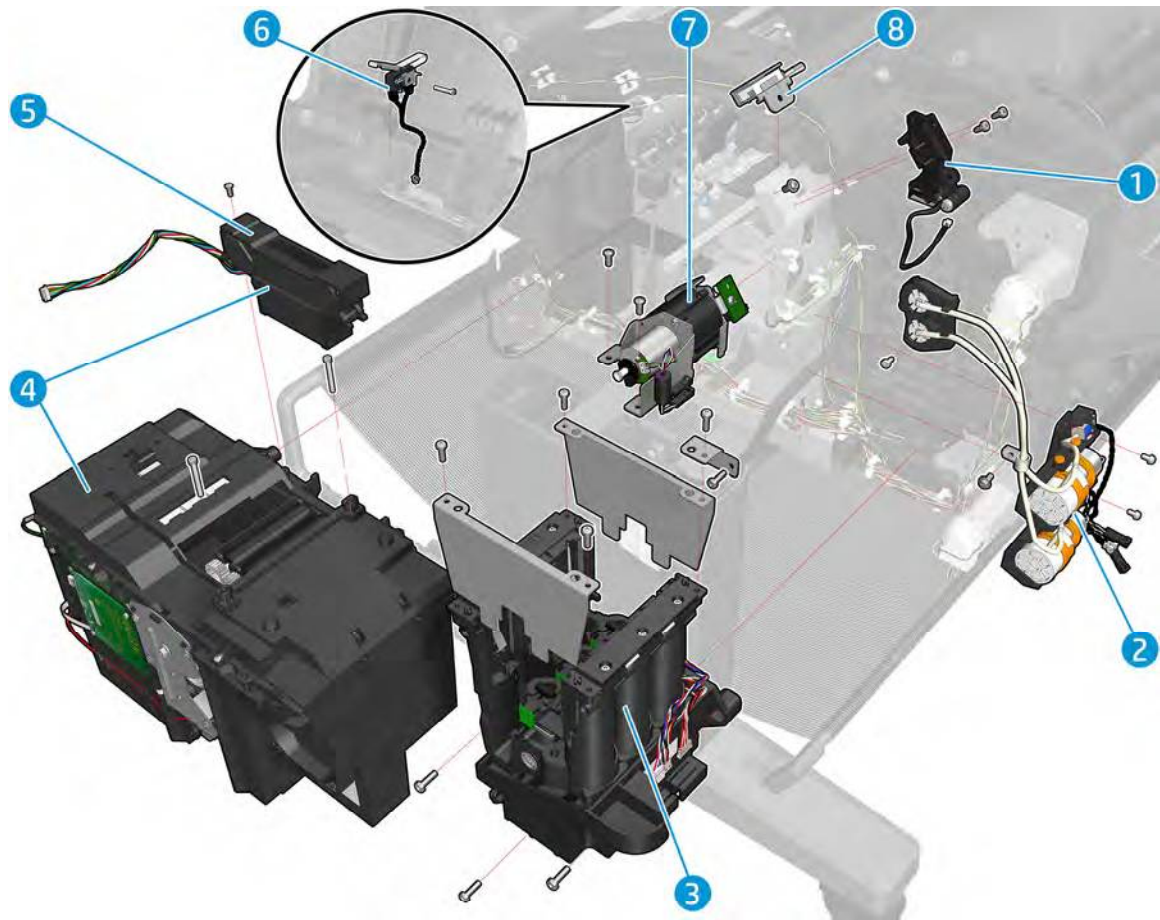
	Part number				Description	Cross-reference
	T920	T1500	T2500	T3500		
5	CR355-6 7005	N/A				<u>Arch sidewall cover (service station side) on page 263</u>
6	CR355-6 7004	N/A				<u>Arch sidewall cover (front panel side) on page 262</u>

Front Panel Side Assemblies



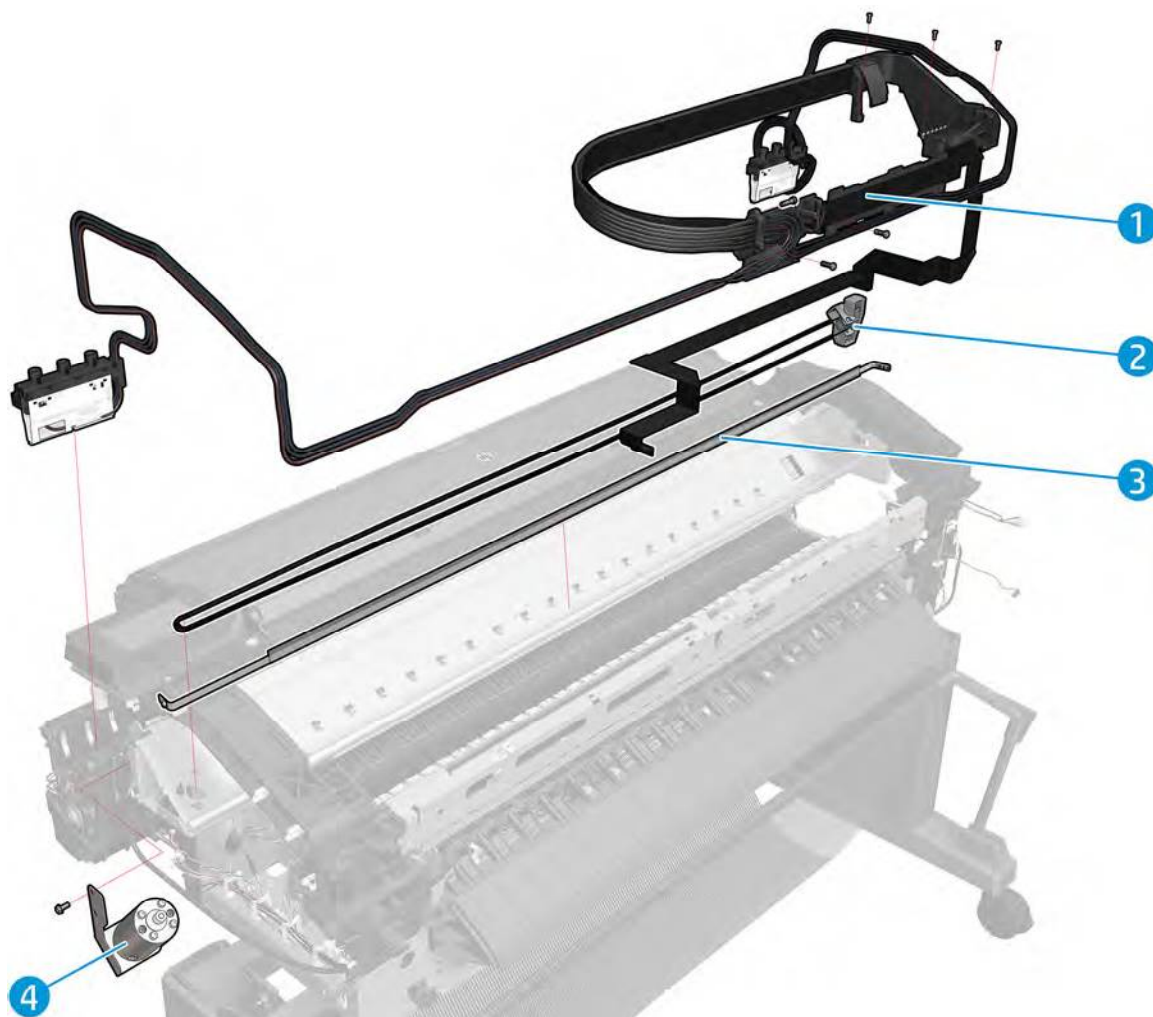
	Part number	Description	Cross-reference
1	CR357-67010		Starwheel Motor on page 350
2	CR357-67009	Motor Media Advance Transmission with	Motor Media Advance Transmission with Encoder on page 342
3	CR357-67028		ISS (Ink Supply Station) Front Panel Side on page 309
4	CR357-67052		Front panel on page 281

SVS Side Assemblies



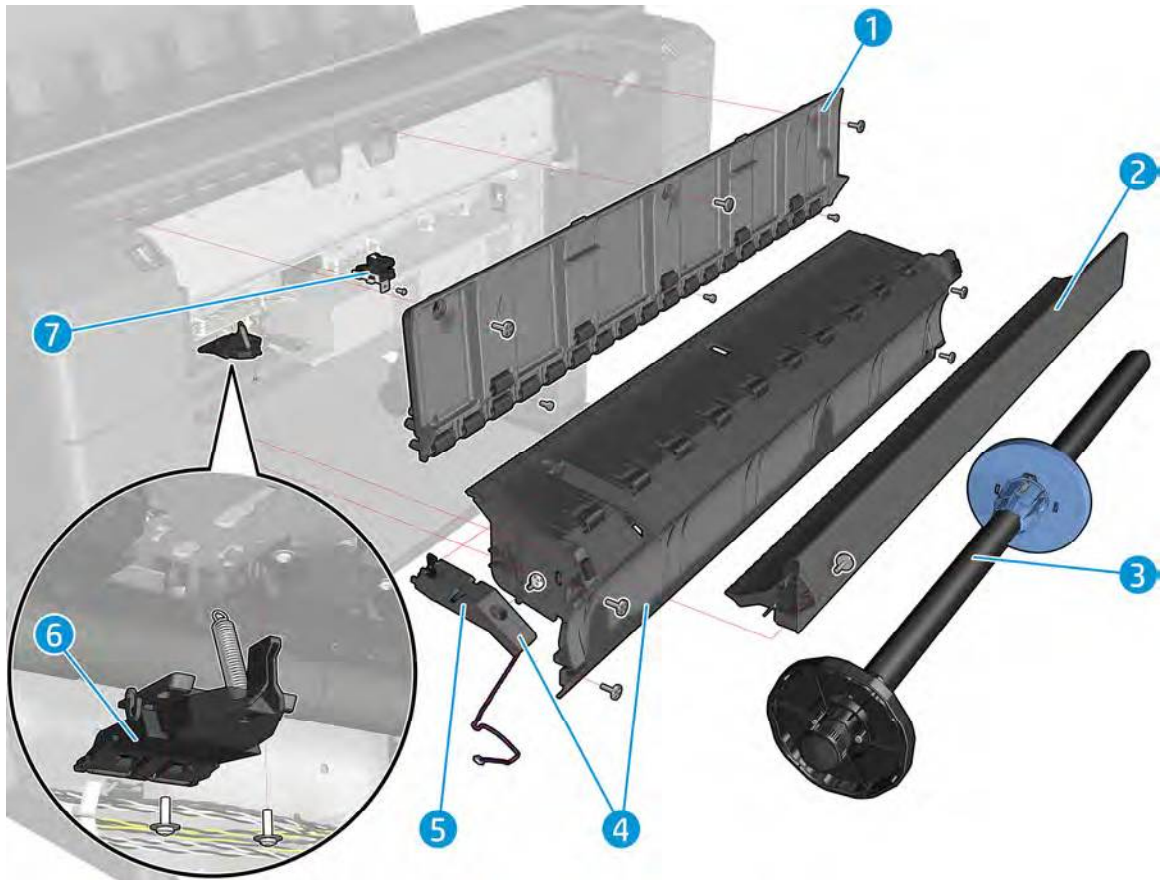
	Part number	Description	Cross-reference
1	CR357-67003		PRS Actuator on page 293
2	CR357-67024		Primer Assembly on page 306
3	CR357-67029		ISS SVS Side on page 313
4	CR357-67025		Service Station with Drop Detector on page 302
5	CR357-67026		Drop Detector on page 301
6	CR357-67080		Stacker Arm Sensor on page 387
7	CR357-67005		Auto Pinch Lifter on page 333
8	Q6675-60043		Rail Oiler Kit on page 292

Scan Axis Assemblies



	Part number	Description	Cross-reference
1	CR357-67027		Ink Tubes and Trailing Cable on page 317
2	CR357-67021		Belt on page 295
3	CR357-67022		Encoder Strip on page 296
4	CR357-67023		Scan Axis Motor on page 298

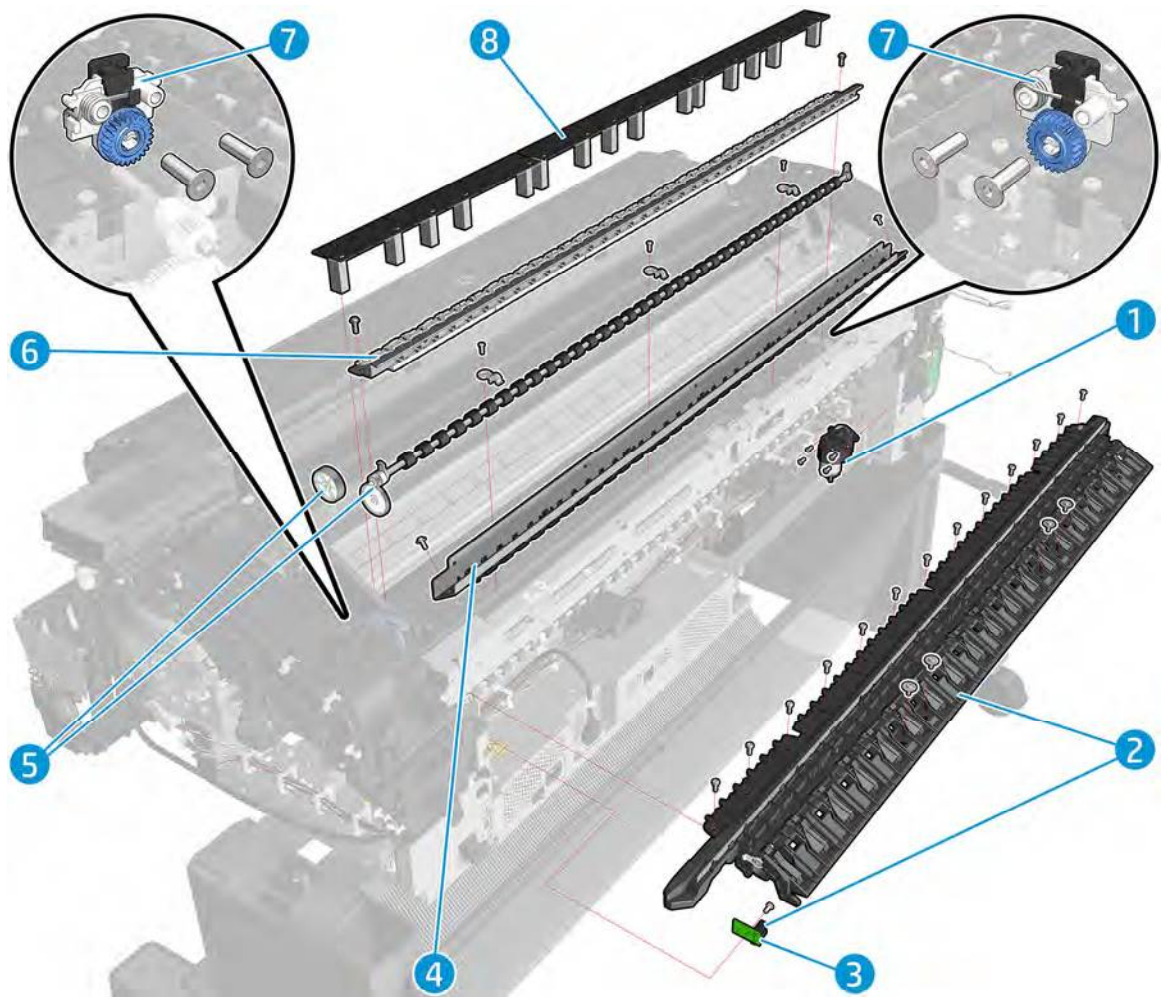
Paper Path Assemblies (Front)



	Part number				Description	Cross-reference
	T920	T1500	T2500	T3500		
1	CR357-67033		B9E24-6 7021			Vertical Media Guide on page 329
2	CR357-67032		B9E24-6 7008			Converger Assembly on page 256
3	CR357-67040		B9E24-6 7007		Spindle 36 Assy	
4	*	CR357-67030	B9E24-6 7006			Cleanout on page 257
5	CR357-67031					Media Sensor on page 320
6	CR357-67004					Pinch Wheel Assembly on page 339
7	CH538-67074					Center Support on page 331

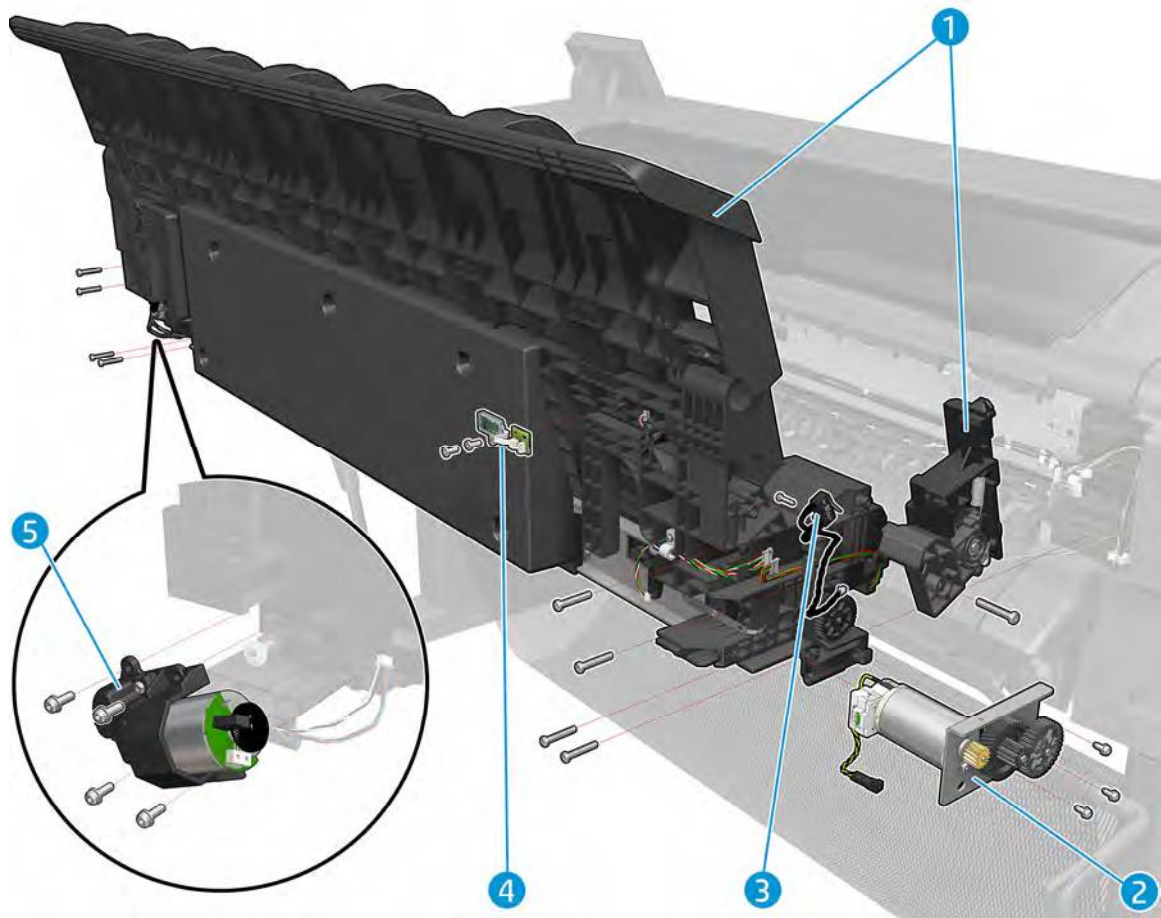
* Escalate to Level 3

Paper Path Assemblies (Center)



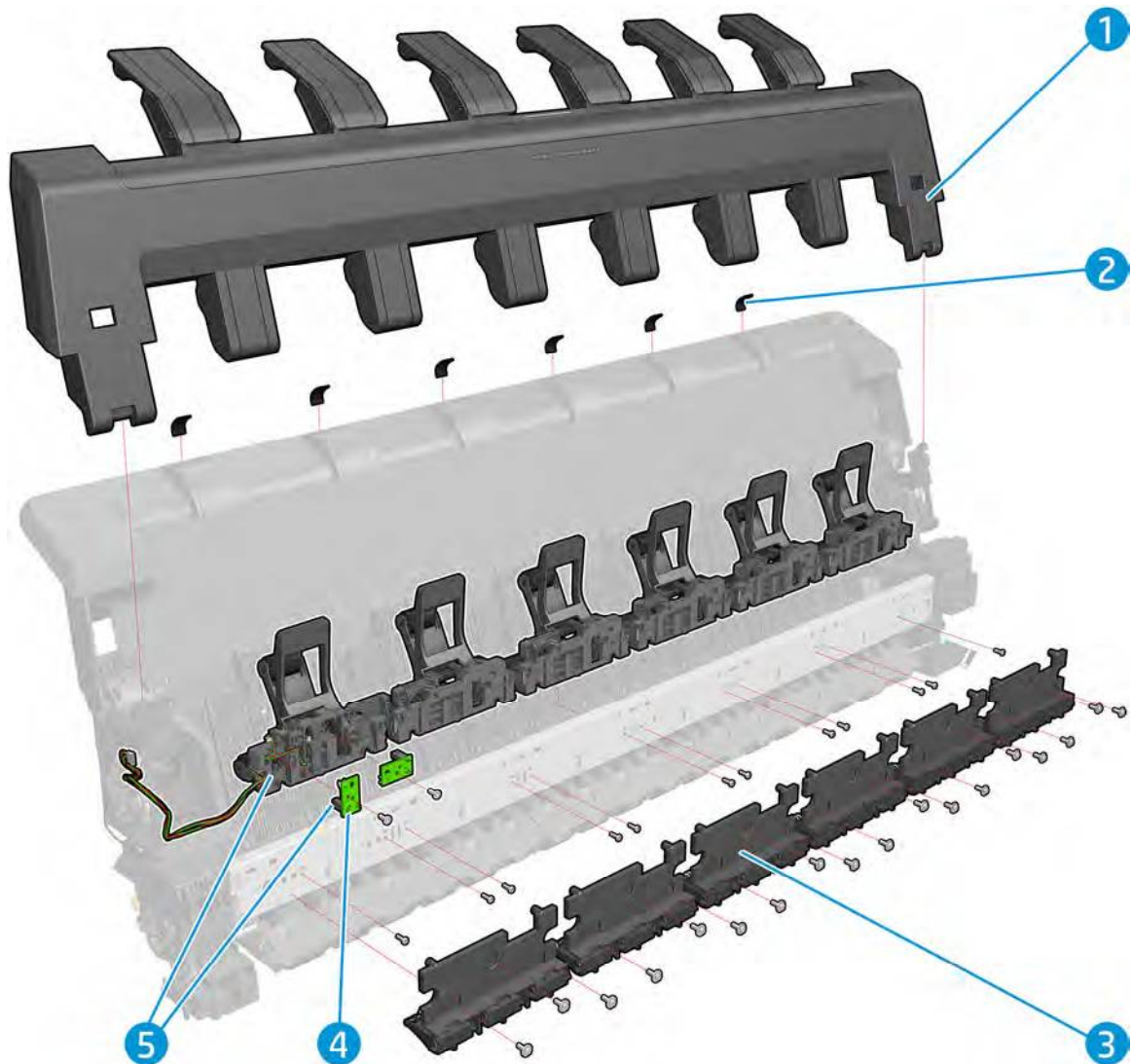
	Part number				Description	Cross-reference
	T920	T1500	T2500	T3500		
1		CR357-67015				Ramps Motor on page 385 Valves Motor on page 367
2		CR357-67013				Cutter Platten on page 361
3		CR357-67006				OPTO Sensor on page 380
4		CR357-67016				Second Starwheel Rail on page 357
5		CR357-67011				Overdrive on page 359
6		CR354-67004				Customer Self Repair Flyers on page 437
7		CR357-67086				Starwheel Support on page 355
8	N/A	CR357-67002				Full Bleed on page 332

Stacker Parts (Rear)



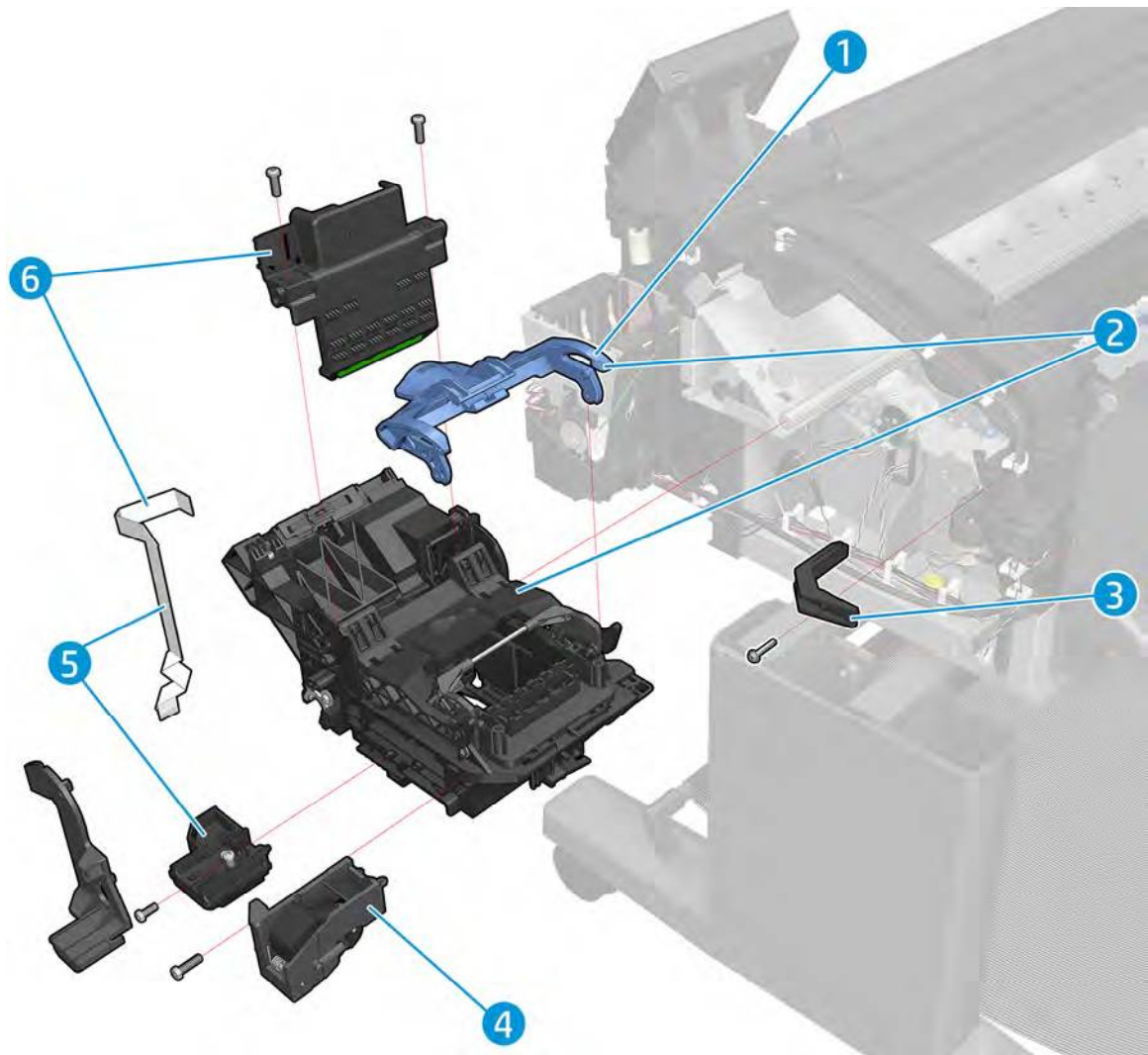
	Part number	Description	Cross-reference
1a	CR354-67003	Stacker (Single Function CR354A, CR355A, CR355B, CR356A, CR357A, CR357B) For T2500 MFP, additionally part number CR359-67006 Stacker adaptor for MFP needs	Stacker on page 368 Stacker adaptor for MFP on page 370
1b	CR354-67003 & CR359-67006	Stacker & T920/T1500/T2500 Stacker Adaptor for MFP (Multifunction CR358A, CR359A,	Stacker on page 368 Stacker adaptor for MFP on page 370
1c	B9E24-67025	Stacker T3500 (Production eMFP B9E24A,	Stacker on page 368 Stacker adaptor for MFP on page 370
2	CR357-67043		OVD Transmission with Motor on page 383
3	CR357-67080		Stacker Arm Sensor on page 387
4	CR357-67045		REDI sensor on page 382
5	CR357-67015		Ramps Motor on page 385 Valves Motor on page 367

Stacker Parts (Front)



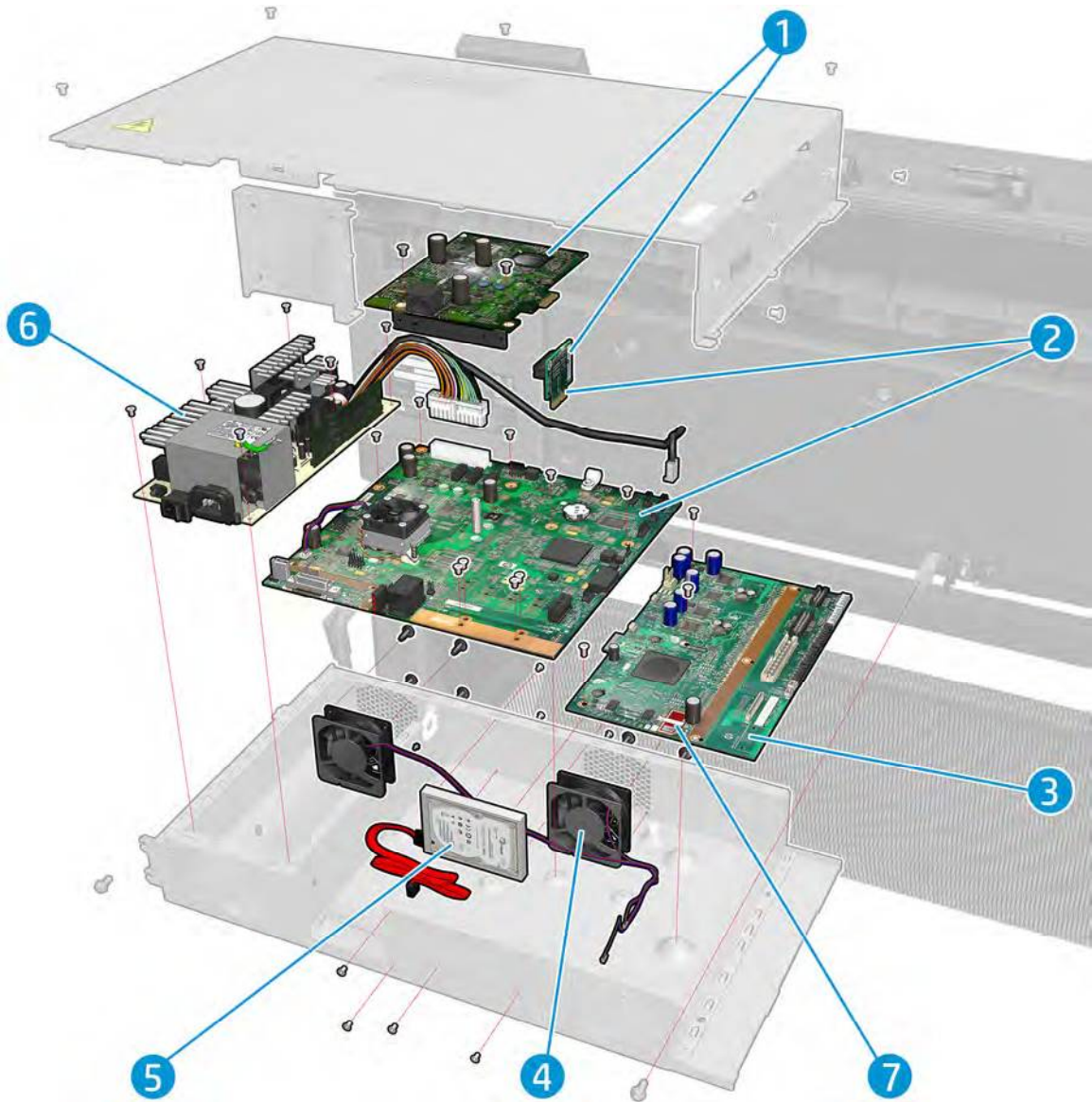
	Part number	Description	Cross-reference
1	CR357-67082		Customer Self Repair Flyers on page 437
2	CR357-67078	Stack Pad	
3	CR357-67074		Stacker Pinches on page 374
4	CR357-67006		OPTO Sensor on page 380
5a	CR357-67041		Stacker Hand Off Assy Service Kit (CR357-67041) on page 376
5b	B9E24-67026		Stacker Hand Off on page 375

Carriage Assembly



	Part number	Description	Cross-reference
1	CR357-67070		Customer Self Repair Flyers on page 437
2	CR357-67018		Carriage on page 285 Line Sensor on page 289
3	CR357-67068		Bump Cutter Actuator on page 389
4	CR357-67007		Customer Self Repair Flyers on page 437
5	CR357-67020		Line Sensor on page 289
6	CR357-67081		Carriage PCA on page 290

Electrical Parts



	Part number				Description	Cross-reference
	T920	T1500	T2500	T3500		
1	CR357-67050					Jester PCA on page 273
2a	CR357-67051		CR359-67001	N/A	Formatter Power W/ Riser (For	Formatter PCA on page 278
2b	CR357-67085		CR359-67031	B9E24-67015	Formatter power w/ Riser and w/ HDD (for T920, T1500, T2500 only rev B models only,	Formatter PCA on page 278
3	CR357-67049			B9E24-67017		Engine PCA on page 277
4	CR357-67048					E-Box fan on page 271

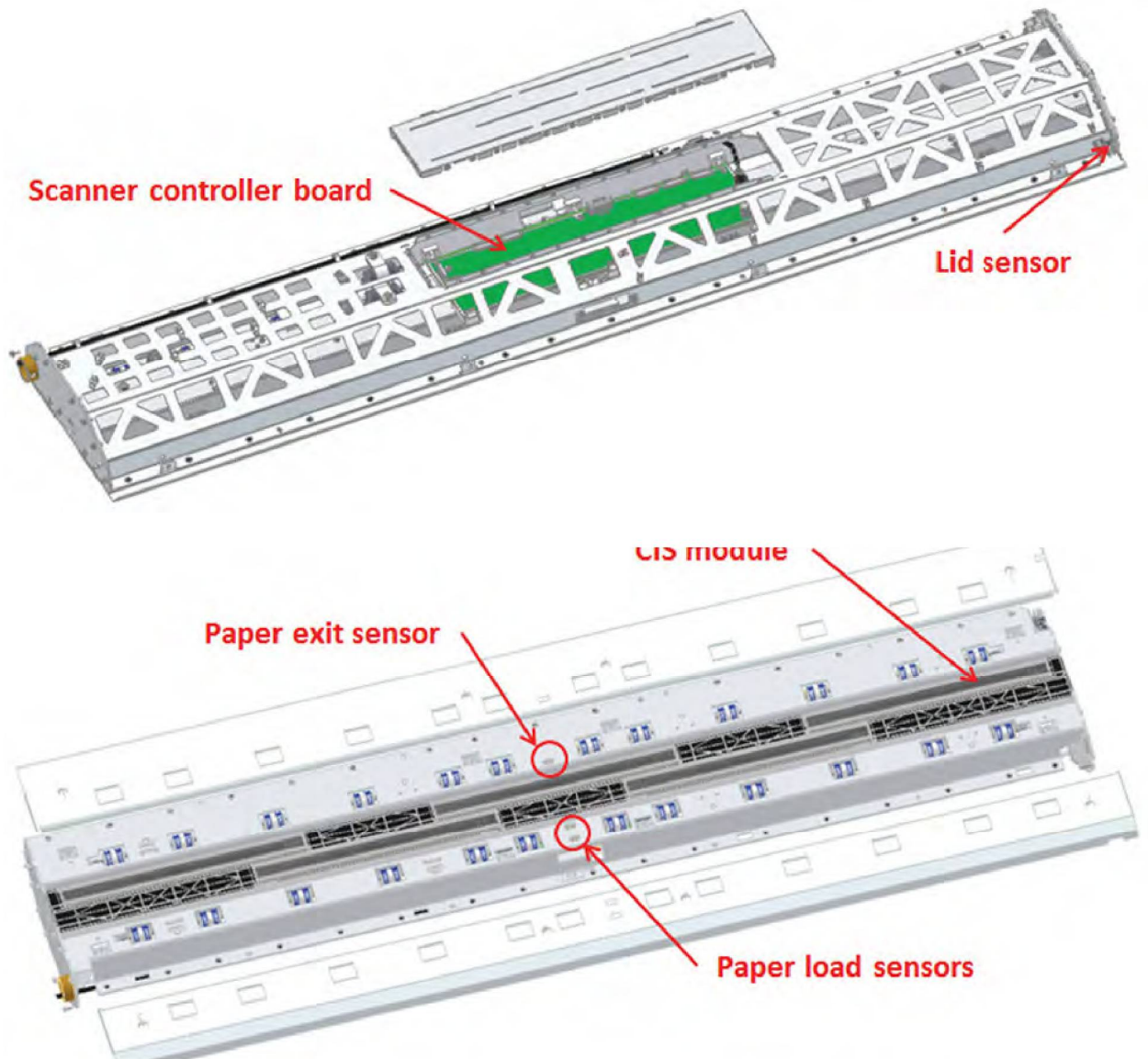
	Part number				Description	Cross-reference
	T920	T1500	T2500	T3500		
5a	CR357-67083			N/A	HDD W/ FW (For Rev.A models	Hard disk drive on page 276
5b	CR357-67084			B9E24-670 18	HDD Encrypted w/ FW (for T920, T1500, T2500 only rev B models only, for T3500 all (A	Hard disk drive on page 276
6	CR357-67046					Power supply unit on page 274
7	CR357-67087			B9E24-670 23		

Miscellaneous Parts

Part number	Description
CR354-67005	Support Label T920 Nameplate
CR355-67006	Support Label T920PS Nameplate
CR355-67007	Support LBL US Gov T920PS Nameplate
CR356-67001	Support Label T1500 Nameplate
CR357-67076	Support Label T1500PS Nameplate
CR357-67077	Support LBL US Gov T1500PS Nameplate
CR358-67001	Support Label T2500 Nameplate
CR359-67028	Support Label T2500PS Nameplate
CQ533-60001	Europe Power Cord KIT
CQ533-60002	America Power Cord KIT
CQ533-60003	Asia Power Cord KIT
CR357-67053	Product Cables
CR357-67072	PM Kit-1
CR357-67073	PM Kit-2
CR357-67075	Serial Label
CR357-67079	Paper Advance Calibration
CR355-67002	1R Cables Kit
B9E24-67024	

CIS Unit Construction

⚠ WARNING! The CIS unit is factory mounted and must not be Disassembled further than replacing the scanner control unit, paper/lid sensors, glass plate and USB cable. Ignoring this warning may cause failures that can not be corrected in the field.



Scanner Control Unit

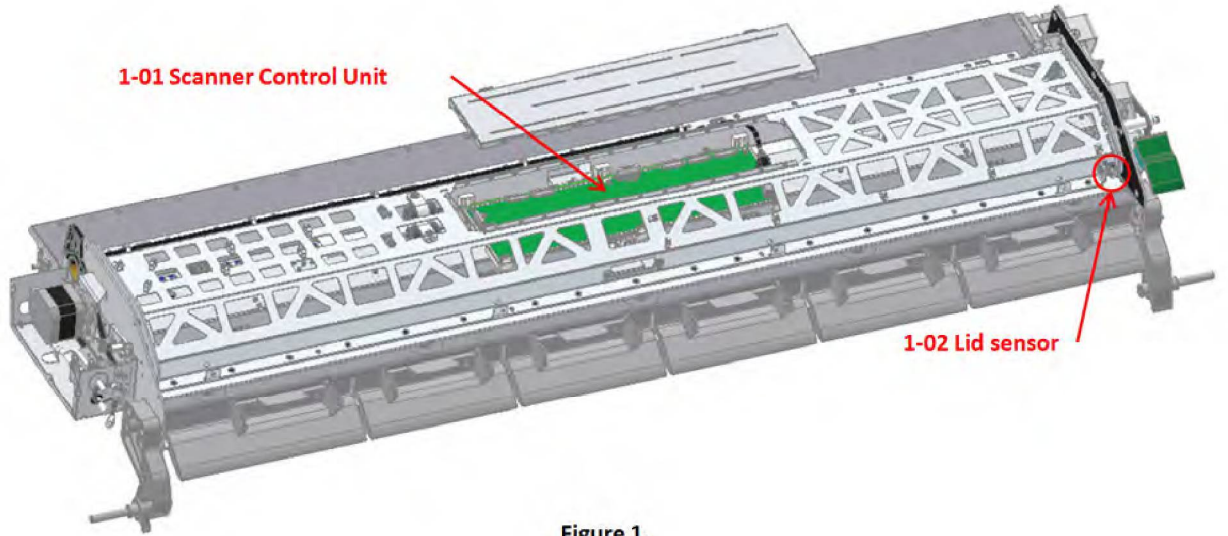
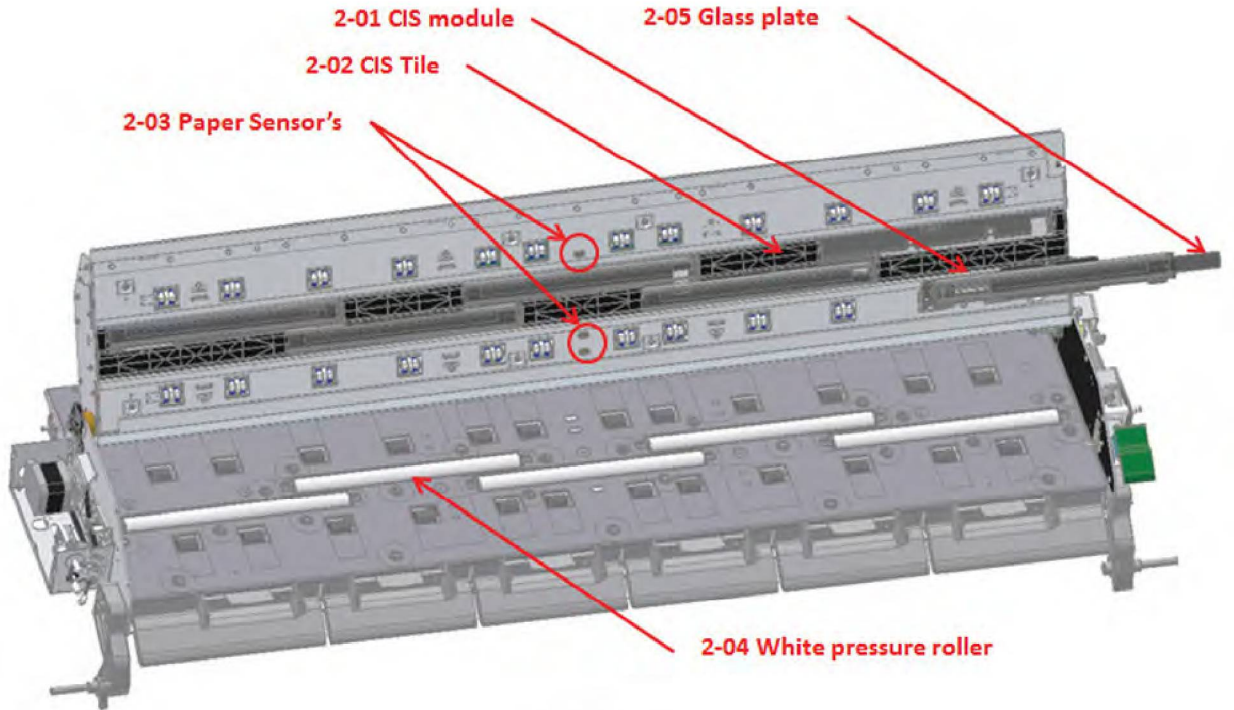


Figure 1.





Service Parts

	Part number	Description	Cross-reference
1-01a	CR359-67023		Scanner Controller Unit (SUP) on page 393
1-01b	B9E24-67020	Scanner Controller Unit (T3500 and compatible)	Scanner Controller Unit (SUP) on page 393
2-01	CR358-60075		CIS Modules on page 395
N/A	CR359-67015		CIS FFC Cables on page 396
2-03	CR359-67018		Paper and Lid Sensors on page 401
3-03	CR359-67016	Stepper Motor Assembly (including taco	Stepper Motor Assembly (taco sensor, and belt) on page 398

	Part number	Description	Cross-reference
N/A	CR359-67021		USB & Awake / Power Cable on page 404
3-01	CR359-67019		CIS Bridge Damper on page 406
2-04	CR359-67017		Pressure Rollers on page 409
3-02	CR359-67012		CIS Scanner Latch on page 408
N/A	CR359-67003		Front panel side scanner cover on page 410
N/A	CR359-67004		Service station side scanner cover on page 411
N/A	CR359-67005		Rear scanner cover on page 412
N/A	CR359-67006		Stacker adaptor for MFP on page 370
N/A	CR359-67007		Bumper bracket on page 413
N/A	CR359-67008		Deflector hinge on page 414
N/A	CR359-67009		Lift assembly on page 415
N/A	CR359-67010		Scanner front beam bumper assembly on page 416
N/A	CR359-67011		Scanner latch hook assembly on page 417
N/A	CR359-67025		Scanner front beam bumper assembly on page 416
N/A	B9E24-67019		Top scanner cover on page 418
N/A	CR359-67003	Cover scanner CP_side (RHS Cover)	
N/A	B9E24-67001		Batch scanning piece on page 419