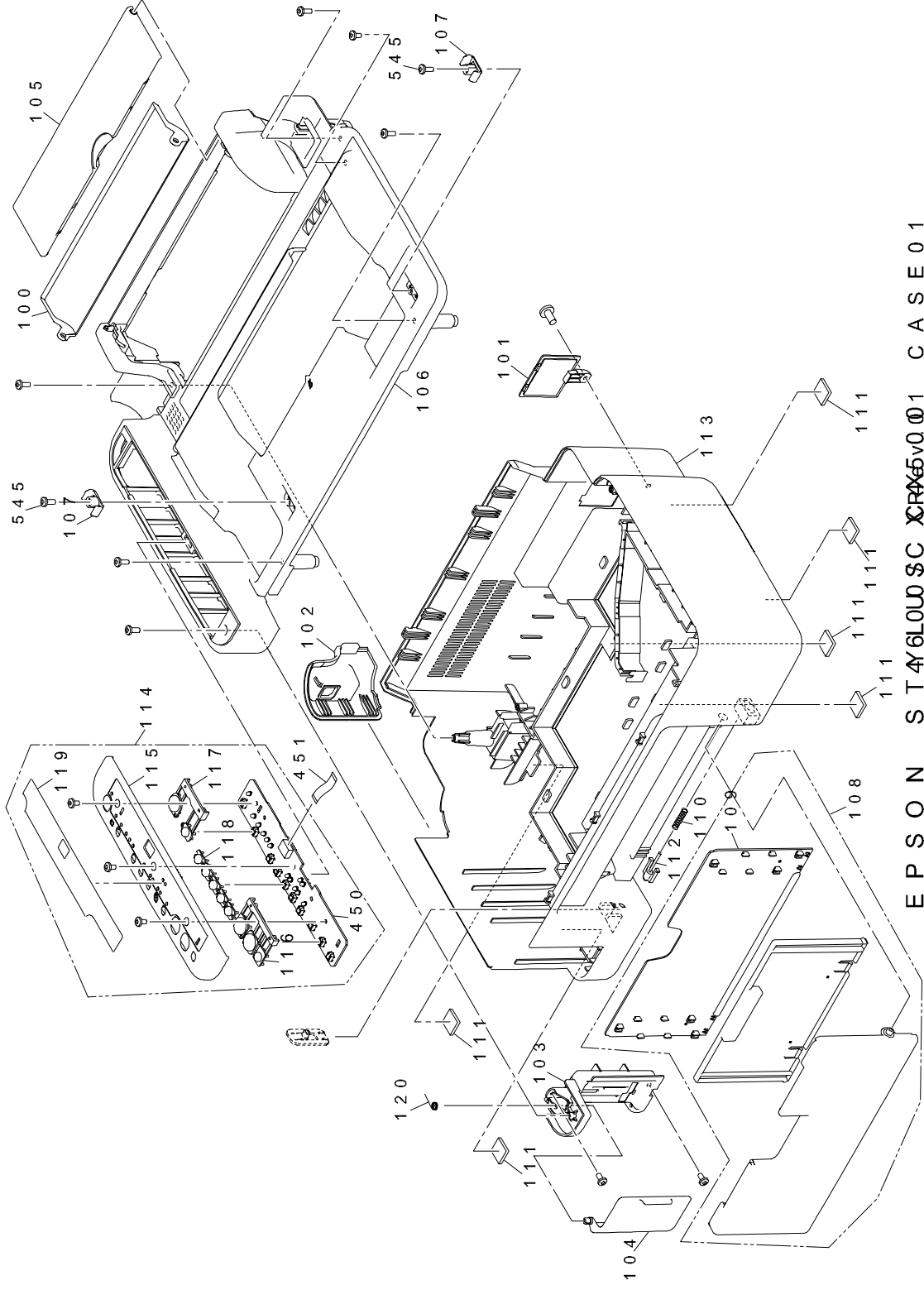
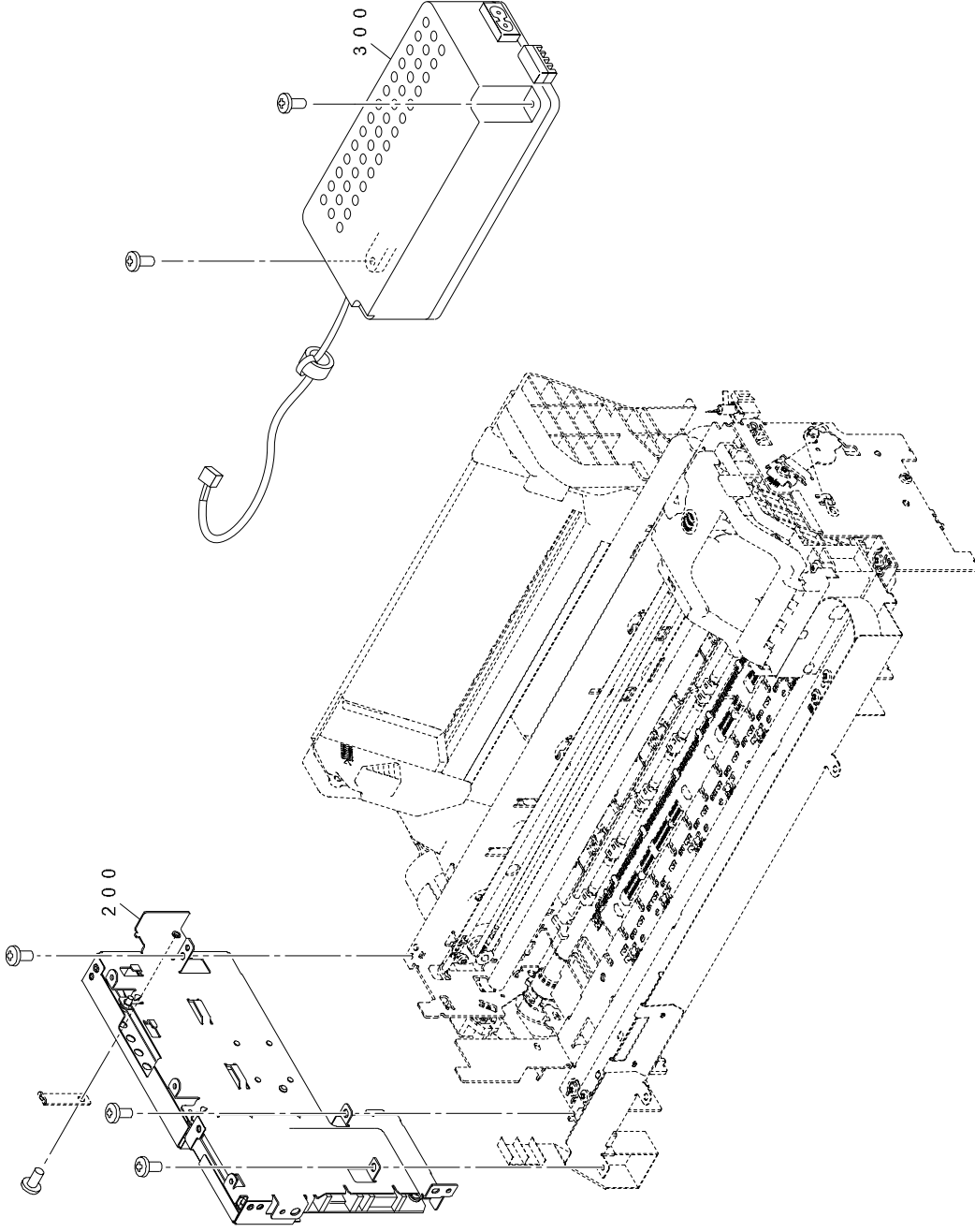


### 7.3 Exploded Diagram

Following pages show exploded diagram.



EPSON ST4Y6L0LD SC XCR065v0.001 CASE 01  
Figure 7-9. Stylus CX3500/CX3600/CX3650/CX4500/CX4600 Exploded Diagram I



E P S O N S T 4 6 L O U 0 S C X R X 6 5 v 0 0 1 E L E C 0 1

Figure 7-10. Stylus CX3500/CX3600/CX3650/CX4500/CX4600 Exploded Diagram 2

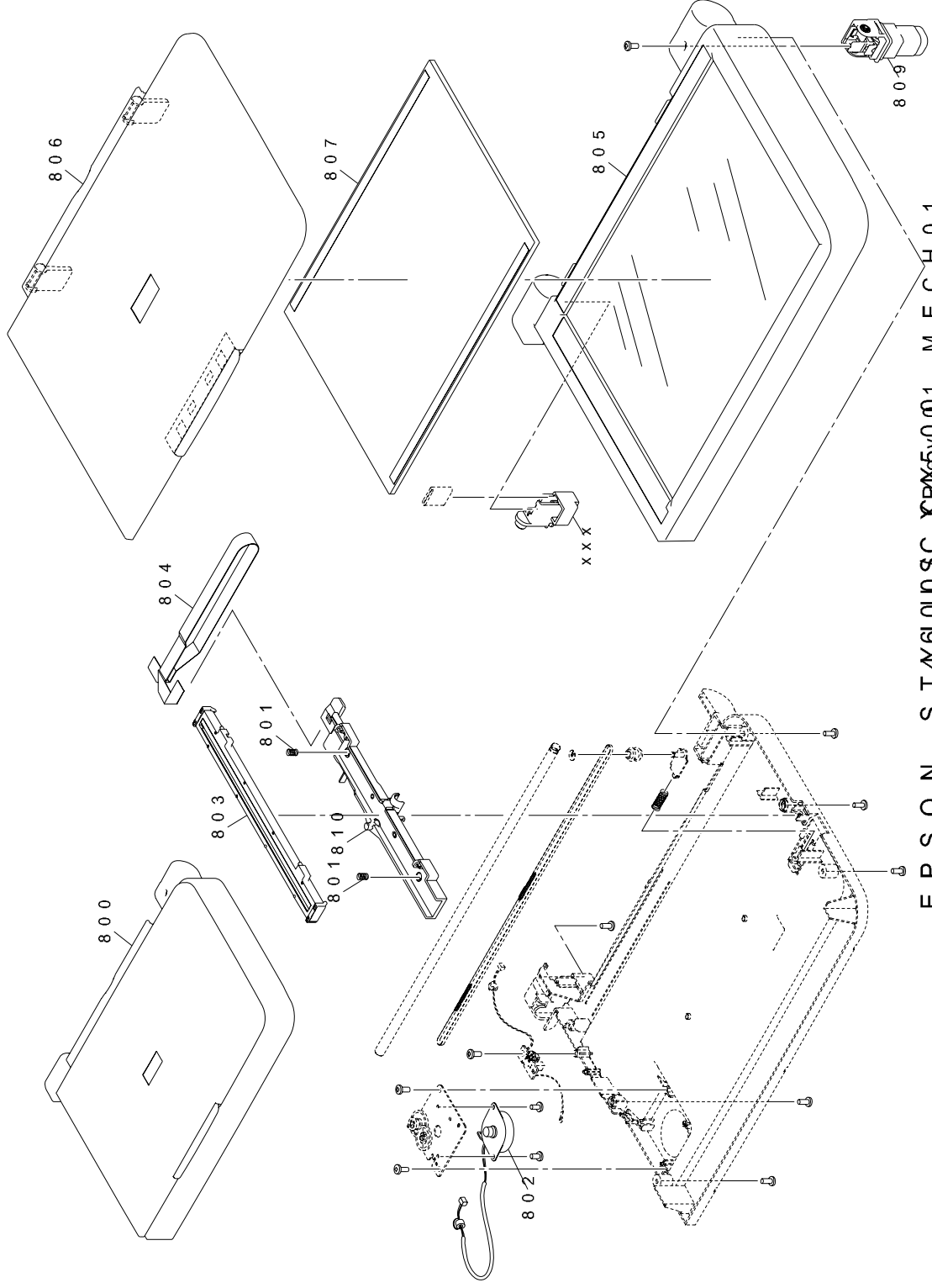
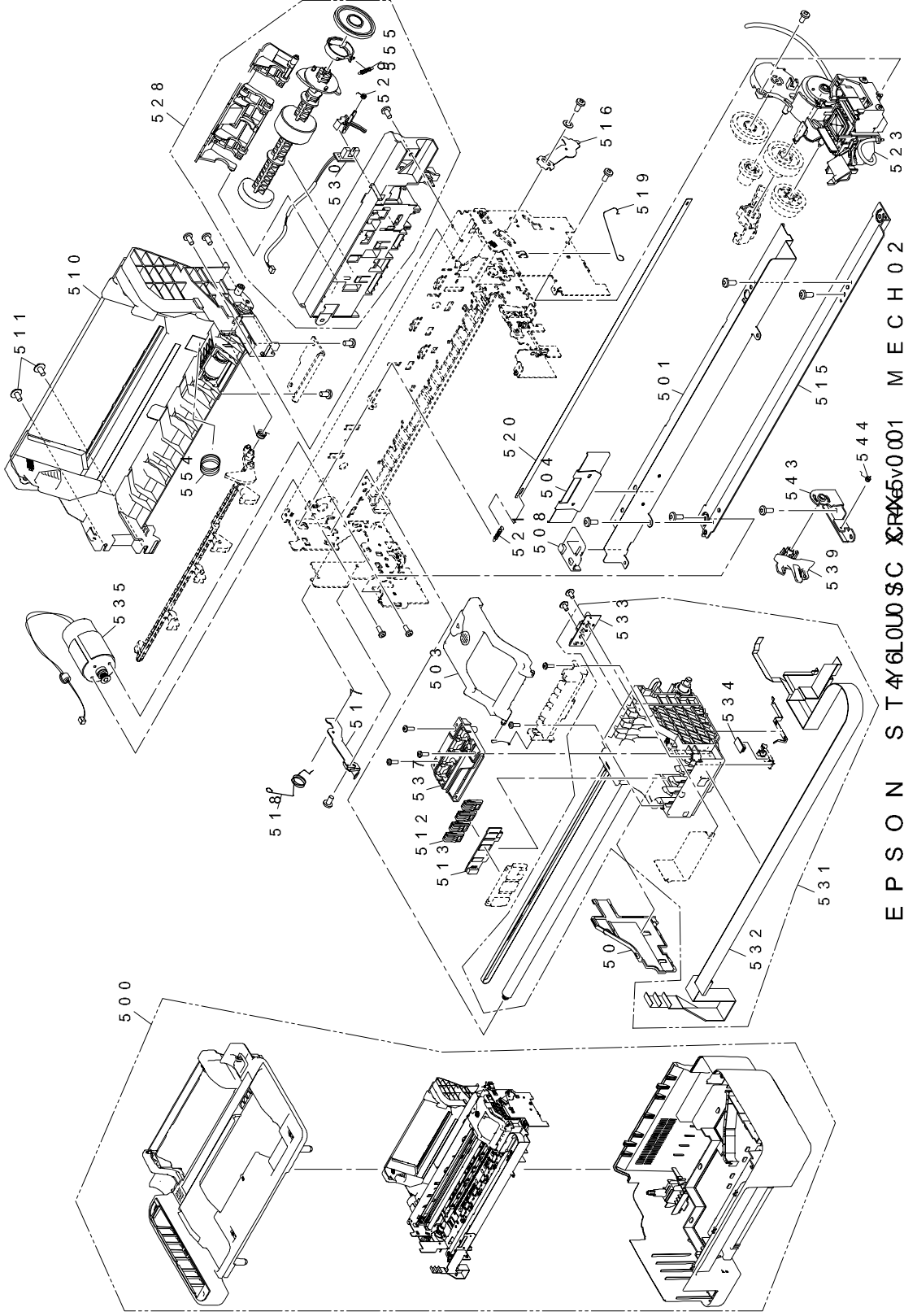
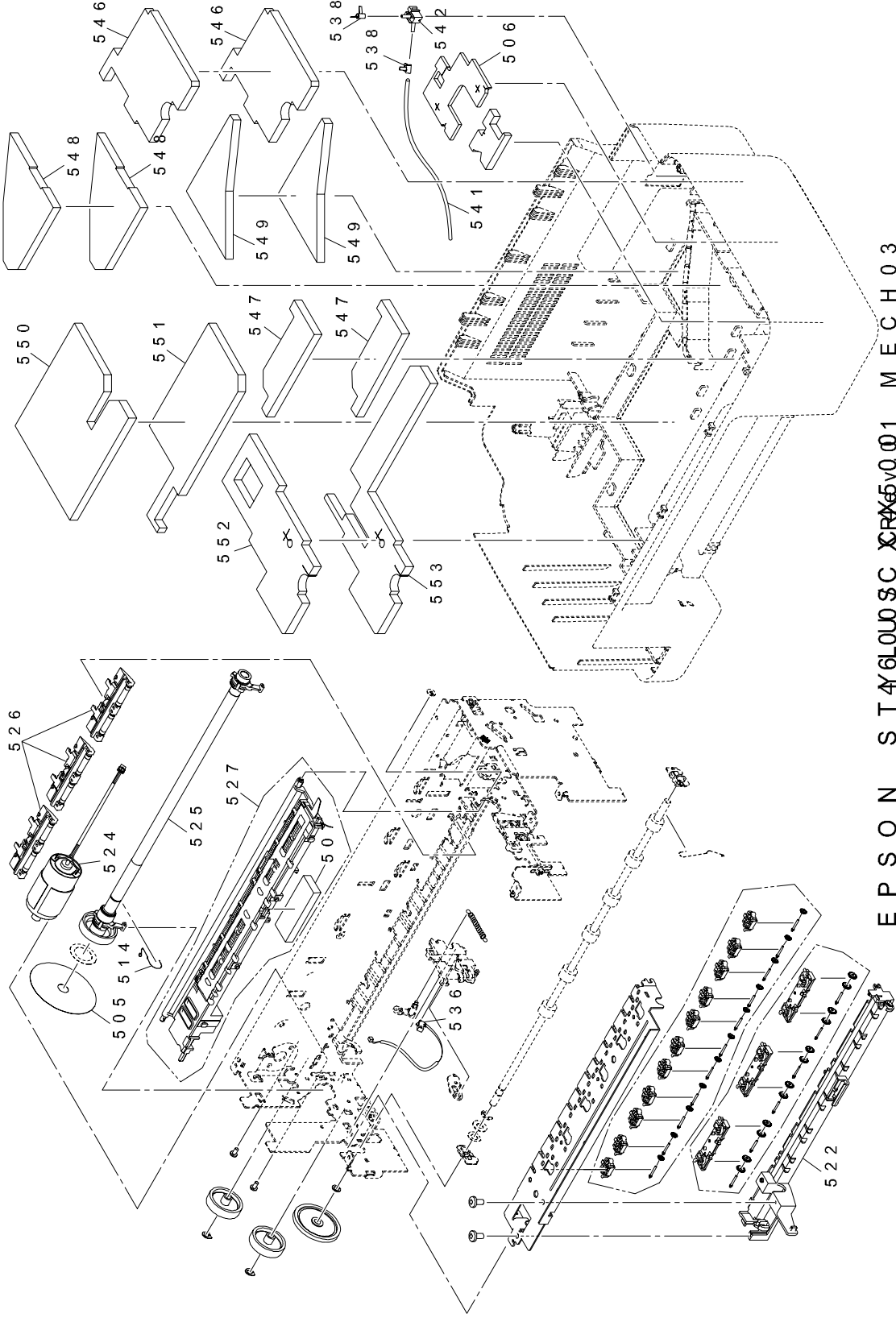


Figure 7-11. Stylus CX3500/CX3600/CX3650/CX4500/CX4600 Exploded Diagram 3



EPSON ST476L0U0 SC XRX65V0001 MECH02 523

Figure 7-12. Stylus CX3500/CX3600/CX3650/CX4500/CX4600 Exploded Diagram 4



E P S O N S T 4 7 6 L 0 0 S C X R A 6 5 v 0 . 0 1 M E C H 0 3

Figure 7-13. Stylus CX3500/CX3600/CX3650/CX4500/CX4600 Exploded Diagram 5

## 7.4 Parts List

Table 7-16. Stylus CX3500/CX3600/CX3650/CX4500/CX4600

Code	Parts Name
100	COVER,ASF
101	COVER,REAR;ECG
102	COVER,USB;ECG
103	HOUSING,CARD SLOT;ECG
104	COVER,CARD SLOT;EFS
105	PAPER SUPPORT ASSY.
106	HOUSING,UPPER ASSY.
107	LOCK,SCANNER;ECG
108	STACKER ASSY.
110	COMPRESSION SPRING,5.1
111	FOOT
112	LOCK,STACKER
113	HOUSING,LOWER;ECG
114	PANEL UNIT
116	BUTTON,COPY;EBM3
117	BUTTON,POWER;EBM3
118	BUTTON,S;EBM3
119	SHEET,PANEL;B
120	SPRING,COVER,CARD SLOT
450	BOARD ASSY.,PANEL
506	POROUS PAD,CAP,LOWER
540	POROUS PAD,JOINT,LOWER
546	POROUS PAD,INK EJECT,1

Table 7-16. Stylus CX3500/CX3600/CX3650/CX4500/CX4600

Code	Parts Name
547	POROUS PAD,INK EJECT,2
548	POROUS PAD,INK EJECT,3
549	POROUS PAD,INK EJECT,4
550	POROUS PAD,INK EJECT,5
551	POROUS PAD,INK EJECT,6
552	POROUS PAD,INK EJECT,7
553	POROUS PAD,INK EJECT,8
800	SCANNER UNIT
801	SPRING,CIS
802	MOTOR ASSY.,SC
803	CIS
804	FFC,CIS
806	COVER,DOCUMENT ASSY.
807	MAT,COVER,DOCUMENT
809	HINGE,ASSY.
810	CR,MAIN
811	HINGE,L
200	MAIN BOARD ASSY.,C
300	POWER SUPPLY UNIT;100V;B
451	HARNESS
500	PRINTER MECHANISM(ASP)MAK10-100
501	FRAME,FRONT
502	COVER,CABLE,HEAD
503	COVER,CARTRIDGE
504	FRAME,HOLDER,FFC

Table 7-16. Stylus CX3500/CX3600/CX3650/CX4500/CX4600

Code	Parts Name
505	SCALE,PF
507	POROUS PAD,TUBE,UPPER
508	GUIDE,PF
510	ASF UNIT
511	C.B.P-TITE SCREW,3X6,F/ZN-3C
512	CONNECTER,CSIC
513	BOARD ASSY.,CSIC
514	GROUNDING SPRING,PF
515	FRAME,GUIDE,CR
516	LEVER,PARALLEL ADJUSTMENT,RIGHT
517	LEVER,PARALLEL ADJUSTMENT,LEFT
518	TORSION SPRING,SHAFT,CR,GUIDE
519	PRESSING SPRING,SHAFT,CR,GUIDE
520	SCALE,CR
521	EXTENSION SPRING,3.289
522	PAPER GUIDE,FRONT,SUPPORT
523	INK SYSTEM ASSY.
524	MOTOR ASSY.,PF
525	ROLLER,PF ASSY.
526	PAPER GUIDE,UPPER ASSY.
527	PAPER GUIDE,FRONT ASSY.
528	HOLDER,SHAFT ASSY.
529	TORSION SPRING,0.22
530	BOARD ASSY.,DETECTOR
531	CR ASSY.

Table 7-16. Stylus CX3500/CX3600/CX3650/CX4500/CX4600

Code	Parts Name
532	CABLE,HEAD
533	BOARD ASSY.,ENCORDER
534	BOARD ASSY.,DETECTOR,PW
535	MOTOR ASSY.,CR
536	DETECTOR ASSY.,PG
537	PRINT HEAD
538	CLAMP,TUBE
539	LEVER,PG
541	TUBE,INK EJECT
542	JOINT,INK EJECT
543	MOUNTING PLATE,LEVER,PG
544	TORSION SPRING,19.01
545	C.B.P-TITE SCREW,3X10,F/ZN-3C
554	COMPRESSION SPRING,2.51
555	EXTENSION SPRING,0.143
556	TORSION SPRING,6.45