



**FACSIMILE EQUIPMENT
PARTS REFERENCE LIST**

**MODEL: MFC8870DW / MFC8860DN
MFC8460N / MFC8660DN
MFC8670DN
DCP8065DN / DCP8060
(For U.S.A. / Canada / Argentina /
Chile / Brazil)**

© Copyright Brother 2006

All rights reserved

No part of this publication may be reproduced in any form
or by any means without permission in writing from the
publisher.

Specifications are subject to change without prior notice.

NOTES FOR USING THIS PARTS REFERENCE LIST

1. In the case of ordering parts, it needs mentioning the following items:

- (1) Code
- (2) Q' ty
- (3) Description
- (4) Recommend (The \checkmark mark is attached to recommend parts at this column.)
- (5) Symbol (PCB No., Revision, and Parts location mounted on the PCB.)

Note: No orders without Parts Code or Tool No. can be accepted.

[Example]

	(1)	(2)	(3)	(4)	(5)	
REF.NO.	CODE	Q' TY	DESCRIPTION	RECOMMEND	SYMBOL	REMARKS

2. Design-changed parts:

When the parts are changed, any one of the following symbols is mentioned in the REMARKS column.

CHG (chg): The part is changed to a new part.

ADD (add): The part is newly added.

DEL (del): The part is deleted.

Symbol in capital letters indicates that the change is the latest one in the page.

3. Parts change will be informed by the technical information.

COUNTRIES

U.S.A. ---- US

CANADA ---- CAN

ARGENTINA --- ARG

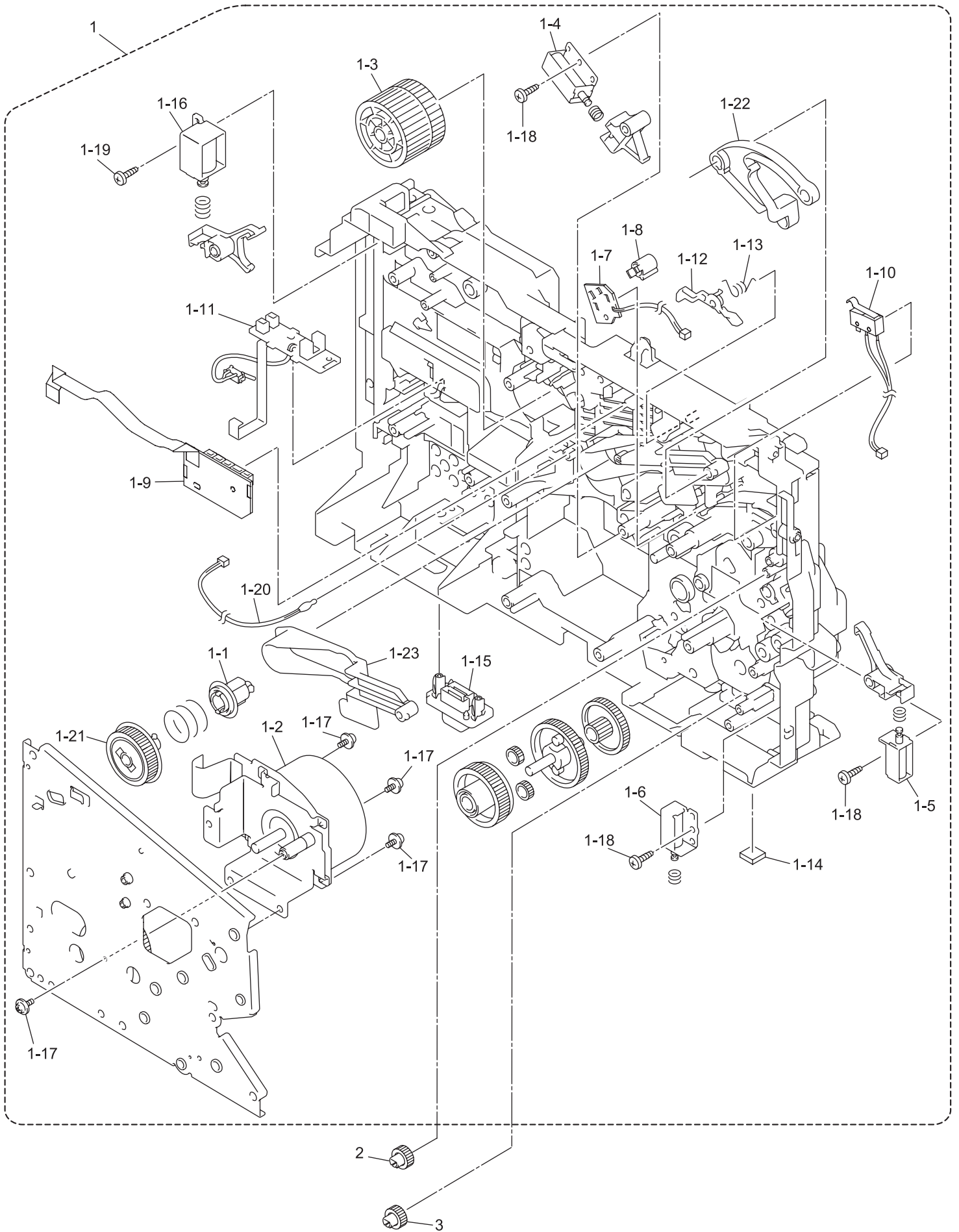
CHILE --- CHL

BRAZIL ---- BRA

CONTENTS

1.	<u>FRAME L</u>	1
2.	<u>FRAME R</u>	3
3.	<u>FRAME UNIT</u>	5
4.	<u>LASER UNIT</u>	7
5.	<u>PAPER FEEDER</u>	9
6.	<u>DUPLEX</u>	11
7.	<u>PAPER TRAY</u>	13
8.	<u>FUSER UNIT</u>	15
9.	<u>COVERS</u>	17
10.	<u>SCANNER</u>	19
11.	<u>ADF1</u>	21
	<u>ADF2</u>	23
12.	<u>PANEL</u>	25
13.	<u>PCB</u>	27
14.	<u>ACCESSORIES</u>	29
15.	<u>PRINTED MATERIALS</u>	31
16.	<u>PACKING MATERIALS</u>	33
17.	<u>OTHERS</u>	35

1. FRAME L



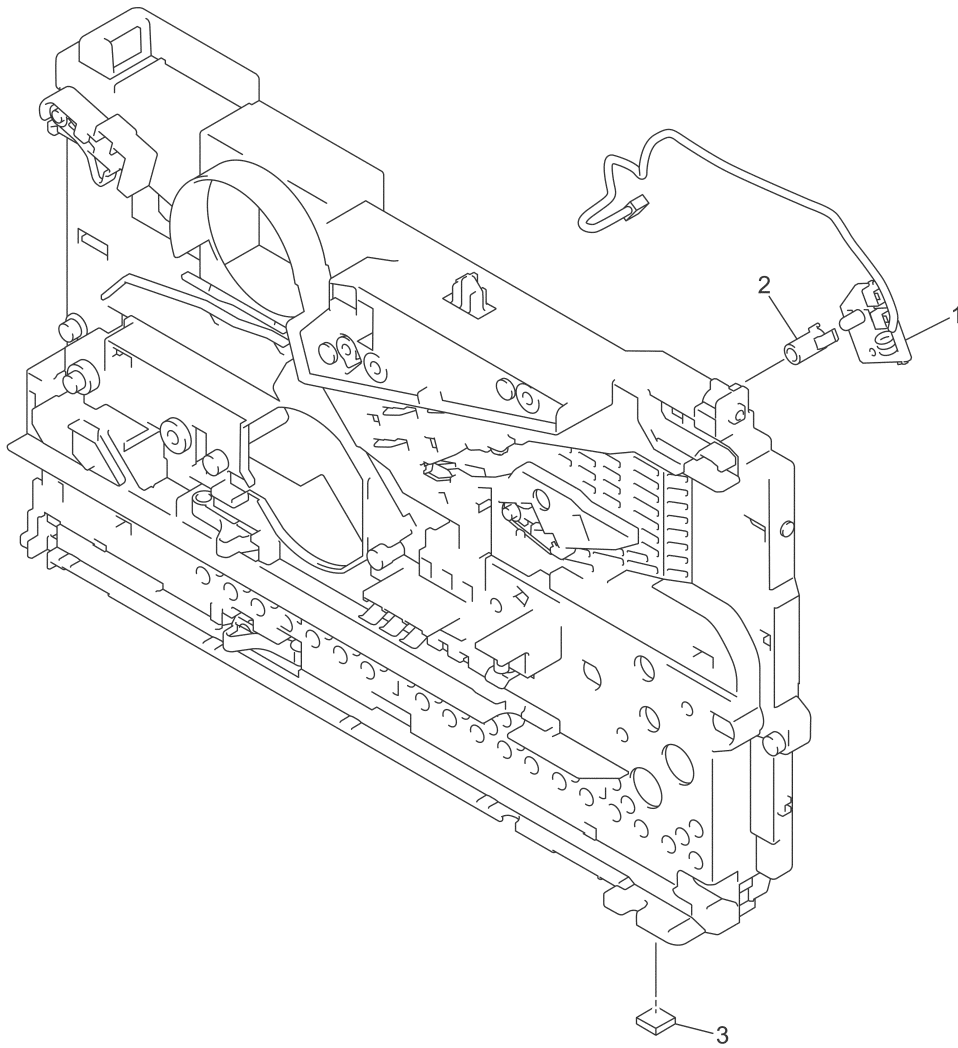
LIST1(FRAME L)

REF No.	CODE	Q'TY	DESCRIPTION	RECOMMEND	REMARKS
1	LF9765001	1	MAIN FRAME L UNIT, DCP8060		add
1	LF9611001	1	MAIN FRAME L UNIT, MFC8460N		add
1	LF9727001	1	MAIN FRAME L UNIT, DCP8065N/MFC8660DN/MFC8860DN/ MFC8670DN/MFC8870DW		add
1-1	LU7214001	1	DEVELOP JOINT		chg
1-2	LM5047001	1	MAIN MOTOR ASSY AL		
1-3	LM5048001	1	FUSER GEAR 39 H/R DRIVE		
1-4	LM5058001	1	REGISTER SOLENOID ASSY		
1-5	LM5062001	1	MP SOLENOID ASSY		
1-6	LM5067001	1	T1 SOLENOID ASSY		
1-7	LJ9935001	1	TONER SENSOR PCB ASSY		
1-8	UL9037001	1	PT SENSOR HOLDER		
1-9	LJ9938002	1	RELAY FRONT PCB ASSY		
1-10	LJ9940001	1	INTERLOCK SW ASSY		
1-11	LM9168001	1	RELAY REAR PCB ASSY, DCP8060/MFC8460N		
1-11	LJ9942001	1	RELAY REAR PCB ASSY, DCP8065DN/MFC8660DN/MFC8860DN/MFC8870DW/MFC8670DN		
1-12	LM5085001	1	NEW TONER ACTUATOR		
1-13	LM5086001	1	NEW TONER ACTUATOR SPRING		
1-14	LJ7403001	1	RUBBER FOOT		
1-15	LJ9945001	1	CONNECTOR		
1-16	LM5011001	1	EJECTOR SOLENOID, DCP8065DN/MFC8660DN/MFC8860DN/MFC8870DW/MFC8670DN		
1-17	087320616	4	TAPTITE CUP S M3x6		
1-18	085311016	3	TAPTITE BIND B M3x10		
1-19	085311016	1	TAPTITE BIND B M3x10, DCP8065DN/MFC8860DN/MFC8870DW/MFC8670DN		
1-20	LG4518001	1	THERMISTOR ASSY		
1-21	LM5043001	1	DEV GEAR 37R JOINT DRIVE		add
1-22	LM5080001	1	DRIVE RELEASE LINK		add
1-23	LM5079001	1	DRIVE RELEASE CAM		ADD
2	LM5104001	1	GEAR 17 MP ROLLER DRIVE		add
3	LM5103001	1	GEAR 20 T1 ROLLER DRIVE		add

8C5B03/8C5B05/8C5B13/
8C5B14/8C5B15/8C5B16/
8C5B17/8C5B33/8C5B35/
8C5B43/8C5B45

DCP8060/DCP8065DN/MFC8460N/
MFC8660DN/MFC8860DN/MFC8870DW/MFC8670DN

2. FRAME R



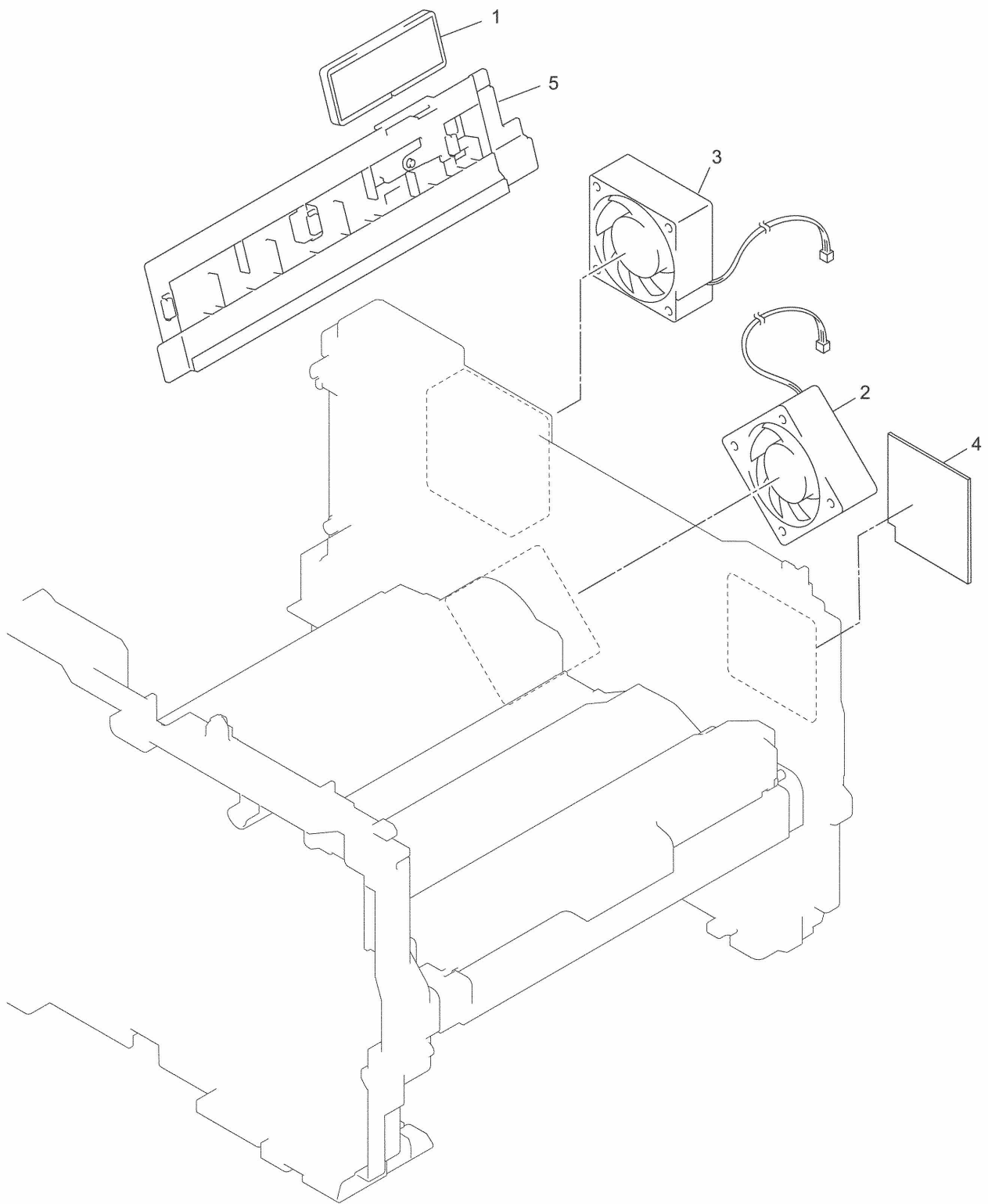
LIST2(FRAME R)

REF No.	CODE	Q'TY	DESCRIPTION	RECOMMEND	REMARKS
1	LM9022001	1	TONER LED PCB ASSY		
2	LM4267001	1	LED HOLDER		
3	LJ7403001	1	RUBBER FOOT		

8C5B03/8C5B05/8C5B13/
 8C5B14/8C5B15/8C5B16/
 8C5B17/8C5B33/8C5B35/
 8C5B43/8C5B45

DCP8060/DCP8065DN/MFC8460N/
 MFC8660DN/MFC8860DN/MFC8870DW/MFC8670DN

3. FRAME UNIT



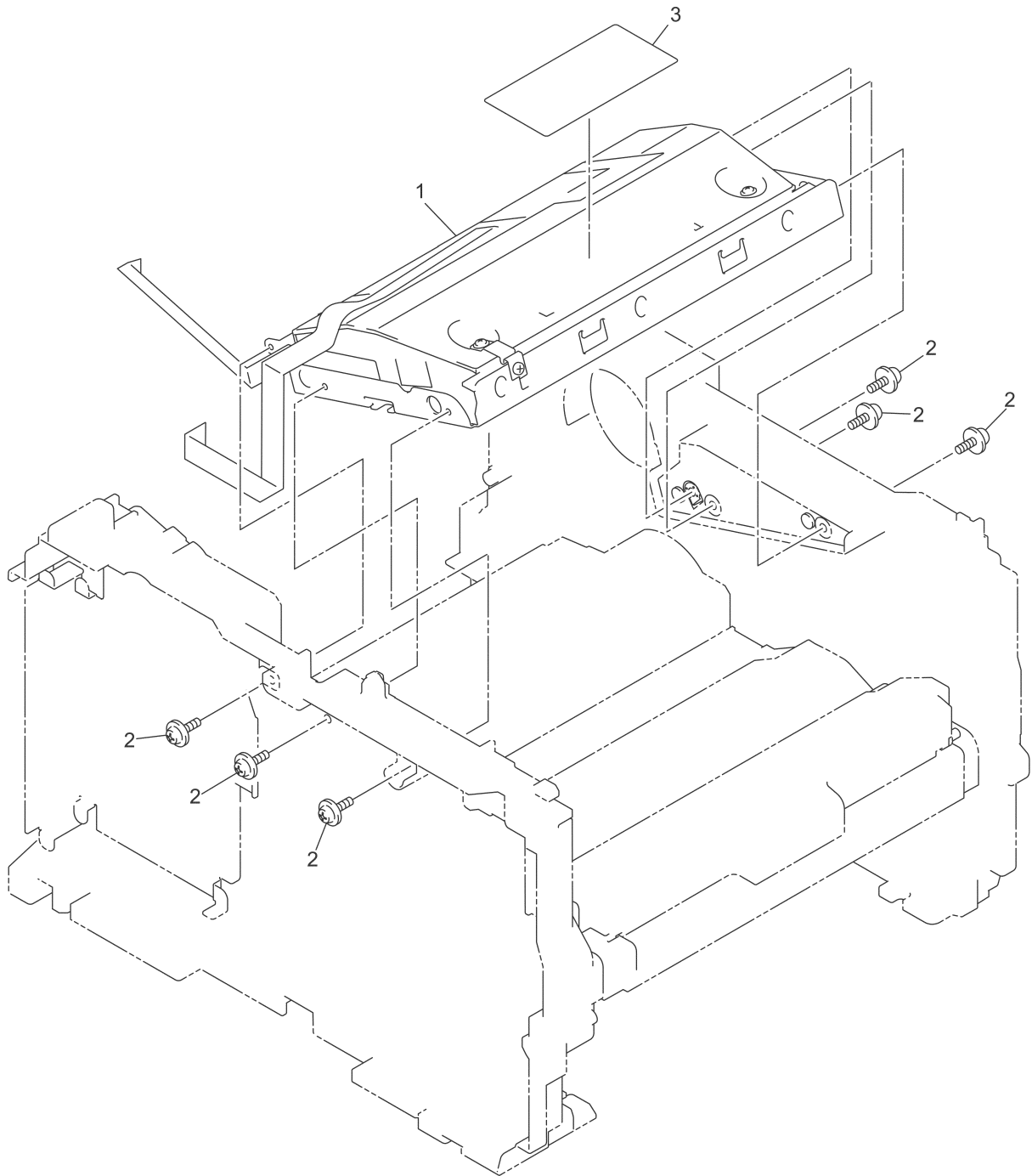
LIST3(FRAME UNIT)

REF No.	CODE	Q'TY	DESCRIPTION	RECOMMEND	REMARKS
1	LU0951001	1	FILTER T7 ASSY		chg
2	LM5114001	1	FAN MOTOR 60 UNIT LV		
3	LM5116001	1	FAN MOTOR 60 UNIT		
4	LG7359001	1	WIRELESS PCB, MFC8870DW FOR US/CAN		ADD
4	LG6846001	1	WIRELESS PCB, MFC8870DW FOR US (Brazil)	√	
5	----		NOT USED		

8C5B03/8C5B05/8C5B13/
 8C5B14/8C5B15/8C5B16/
 8C5B17/8C5B33/8C5B35/
 8C5B43/8C5B45

DCP8060/DCP8065DN/MFC8460N/
 MFC8660DN/MFC8860DN/MFC8870DW/MFC8670DN

4. LASER UNIT



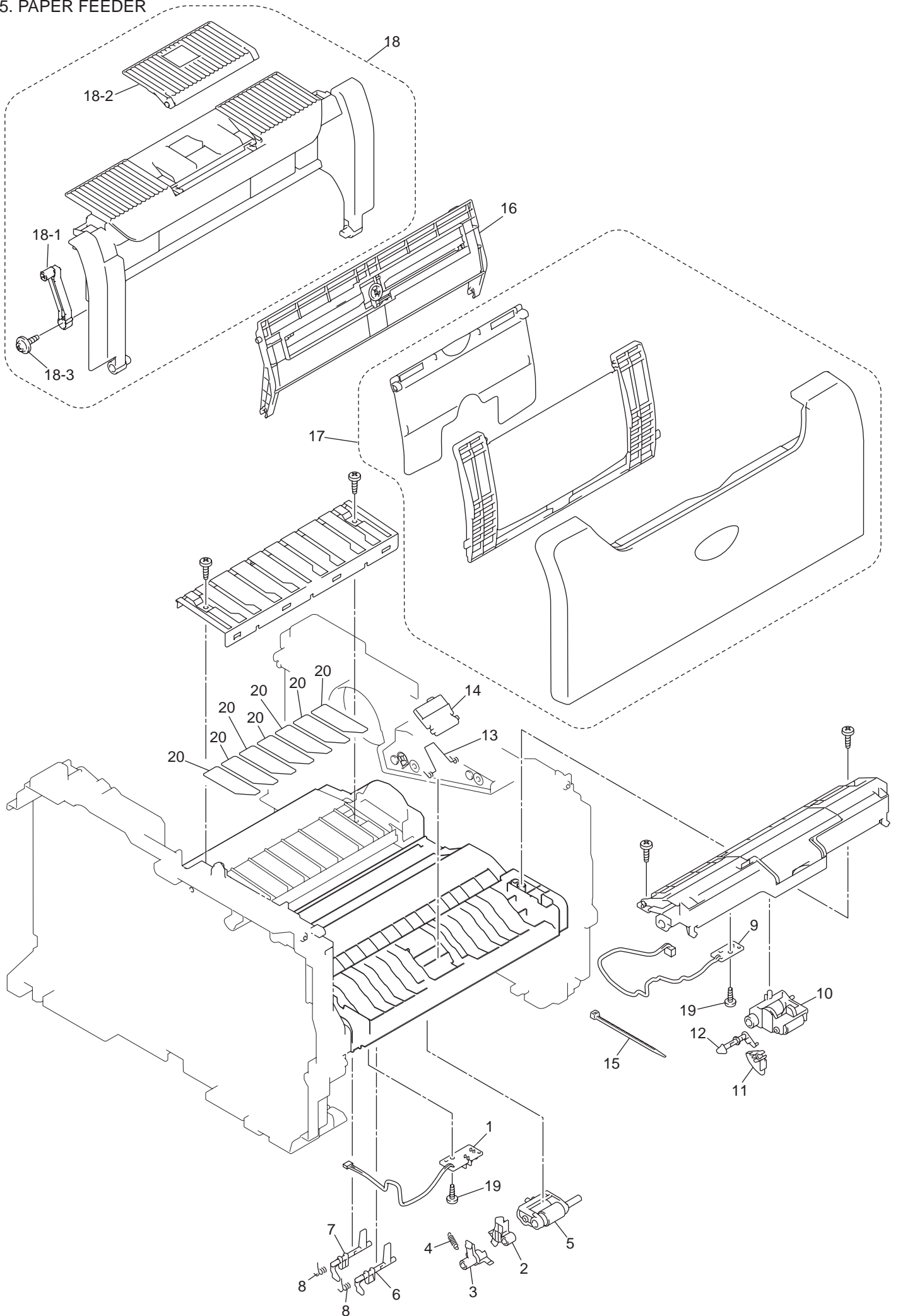
LIST4(LASER UNIT)

REF No.	CODE	Q'TY	DESCRIPTION	RECOMMEND	REMARKS
1	LM5750001	1	LASER UNIT (SP)		
2	087320616	6	TAPTITE, CUP S M3X6		
3	LJ0908001	1	LASER CAUTION LABEL		

8C5B03/8C5B05/8C5B13/
 8C5B14/8C5B15/8C5B16/
 8C5B17/8C5B33/8C5B35/
 8C5B43/8C5B45

DCP8060/DCP8065DN/MFC8460N/
 MFC8660DN/MFC8860DN/MFC8870DW/MFC8670DN

5. PAPER FEEDER



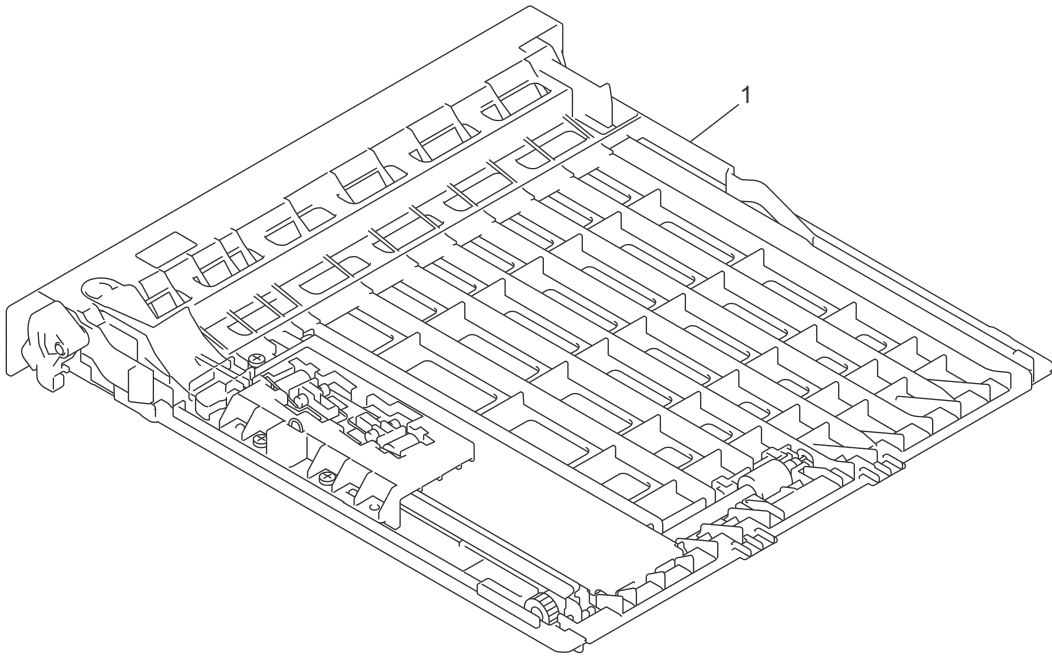
LIST5(PAPER FEEDER)

REF No.	CODE	Q'TY	DESCRIPTION	RECOMMEND	REMARKS
1	LM9001001	1	PE EG SENSOR ASSY		
2	LU0684001	1	PE ACTUATOR		CHG
3	LM5132001	1	EDGE ACTUATOR		
4	LM5133001	1	EDGE ACTUATOR SPRING		
5	LM5140001	1	ROLLER HOLDER ASSY		
6	LM5150001	1	REGIST ACTUATOR FRONT		
7	LM5151001	1	REGIST ACTUATOR REAR		
8	LM5152001	2	REGIST ACTUATOR SPRING		
9	LJ9999001	1	MP PE SENSOR ASSY		
10	LM5165001	1	MP ROLLER HOLDER ASSY		
11	LM5171001	1	PE ACTUATOR MP		
12	LU0027001	1	PE ACTUATOR MP B 2		chg
13	LM6490001	1	MP SEPARATION SPRING		
14	LM6752001	1	SEPARATION PAD ASSY MP		chg
15	LJ8657001	1	BINDER 2.3X79		
16	LM5196001	1	TRAY MP ASSY		
17	LF9617001	1	MP TRAY COVER ASSY		
18	LM5205001	1	PROCESS COVER ASSY		
18-1	LM5124001	1	PROCESS COVER STOPPER		
18-2	LM5208001	1	SUPPORT FLAP		
18-3	087411016	1	TAPTITE CUP B M4X10		
19	085310816	2	TAPTITE BIND B M3x8		
20	---		NOT USED		

8C5B03/8C5B05/8C5B13/
8C5B14/8C5B15/8C5B16/
8C5B17/8C5B33/8C5B35/
8C5B43/8C5B45

DCP8060/DCP8065DN/MFC8460N/
MFC8660DN/MFC8860DN/MFC8870DW/MFC8670DN

6. DUPLEX



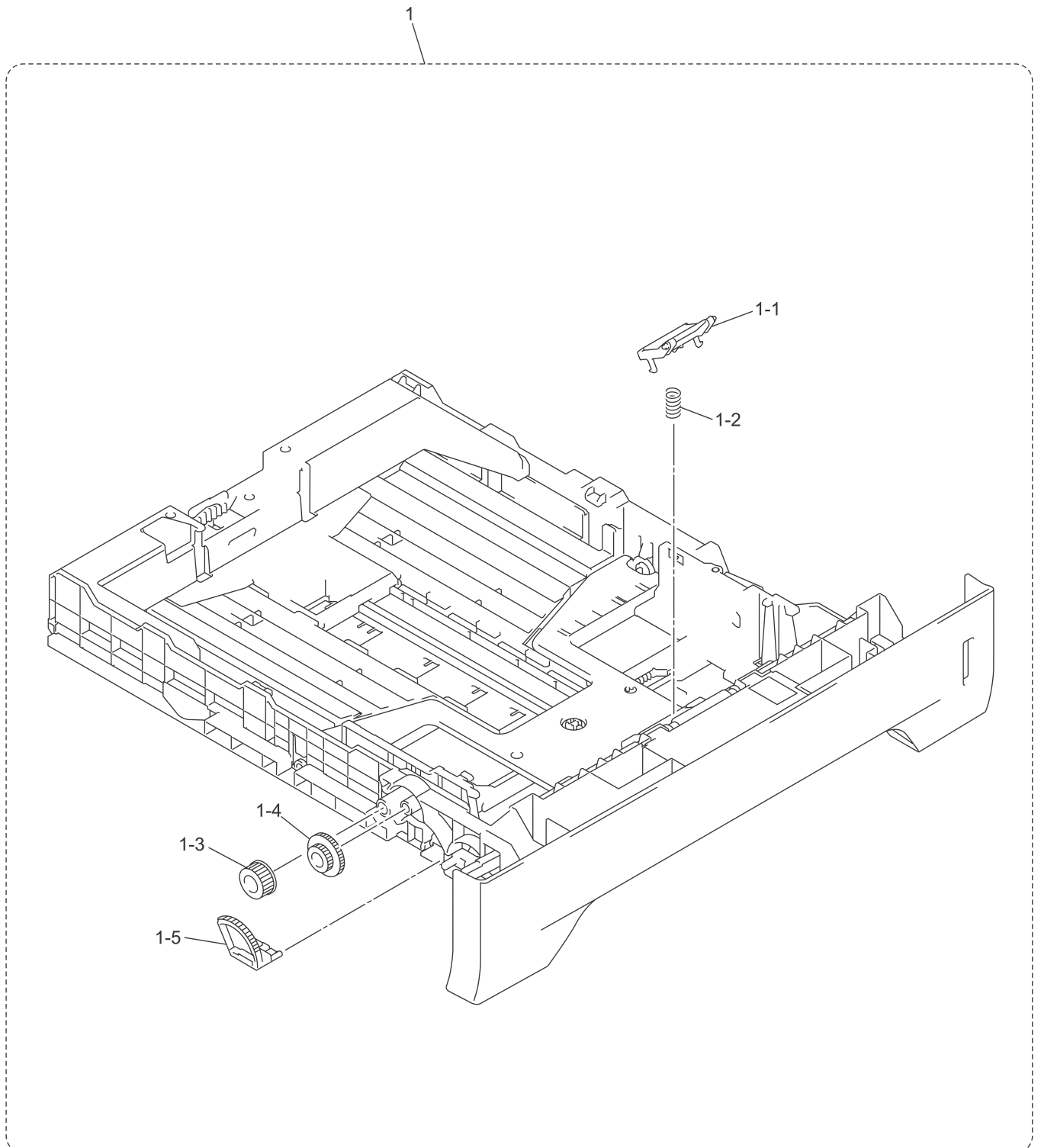
LIST6(DUPLEX)

REF No.	CODE	Q'TY	DESCRIPTION	RECOMMEND	REMARKS
1	LM5209001	1	DX FEED ASSY LTR, DCP8065DN/MFC8660DN/MFC8860DN/MFC8870DW/ MFC8670DN FOR US/CAN/BRA		
1	LM5421001	1	DX FEED ASSY A4, DCP8065DN/MFC8860DN FOR ARG/CHL		

8C5B03/8C5B05/8C5B13/
8C5B14/8C5B15/8C5B16/
8C5B17/8C5B33/8C5B35/
8C5B43/8C5B45

DCP8060/DCP8065DN/MFC8460N/
MFC8660DN/MFC8860DN/MFC8870DW/MFC8670DN

7. PAPER TRAY



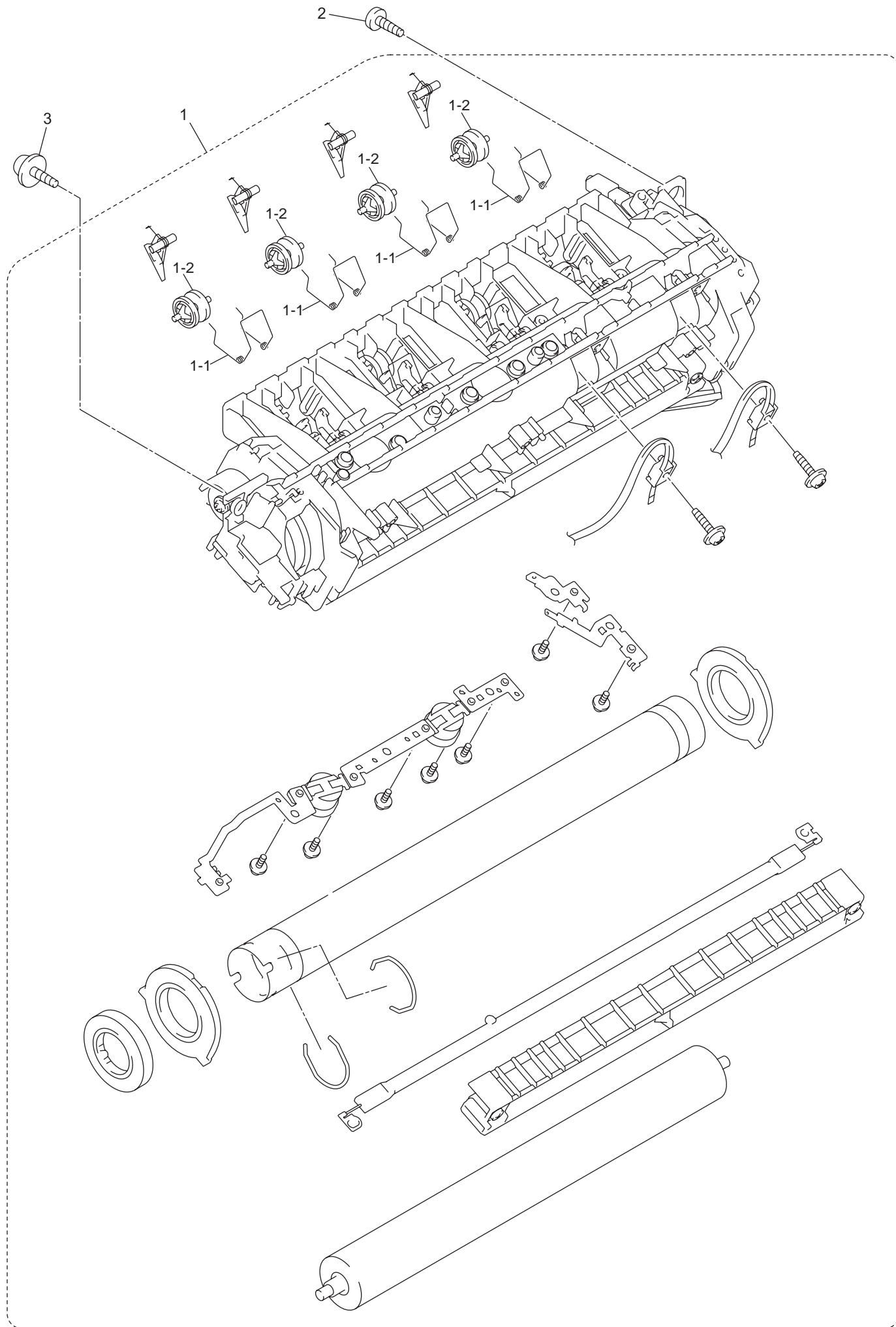
LIST7(PAPER TRAY)

REF No.	CODE	Q'TY	DESCRIPTION	RECOMMEND	REMARKS
1	LU0691001	1	PAPER TRAY UNIT EXCEPT FOR ARG		CHG
1	LM5759001	1	PAPER TRAY UNIT FOR ARG		
1-1	LM5237001	1	SEPARATION PAD ASSY		
1-2	LM5239001	1	SEPARATION PAD SPRING		
1-3	LM5245001	1	GEAR 15		
1-4	LM5246001	1	GEAR 21-16		
1-5	LM5247001	1	LIFT GEAR 46		

8C5B03/8C5B05/8C5B13/
 8C5B14/8C5B15/8C5B16/
 8C5B17/8C5B33/8C5B35/
 8C5B43/8C5B45

DCP8060/DCP8065DN/MFC8460N/
 MFC8660DN/MFC8860DN/MFC8870DW/MFC8670DN

8. FUSER UNIT



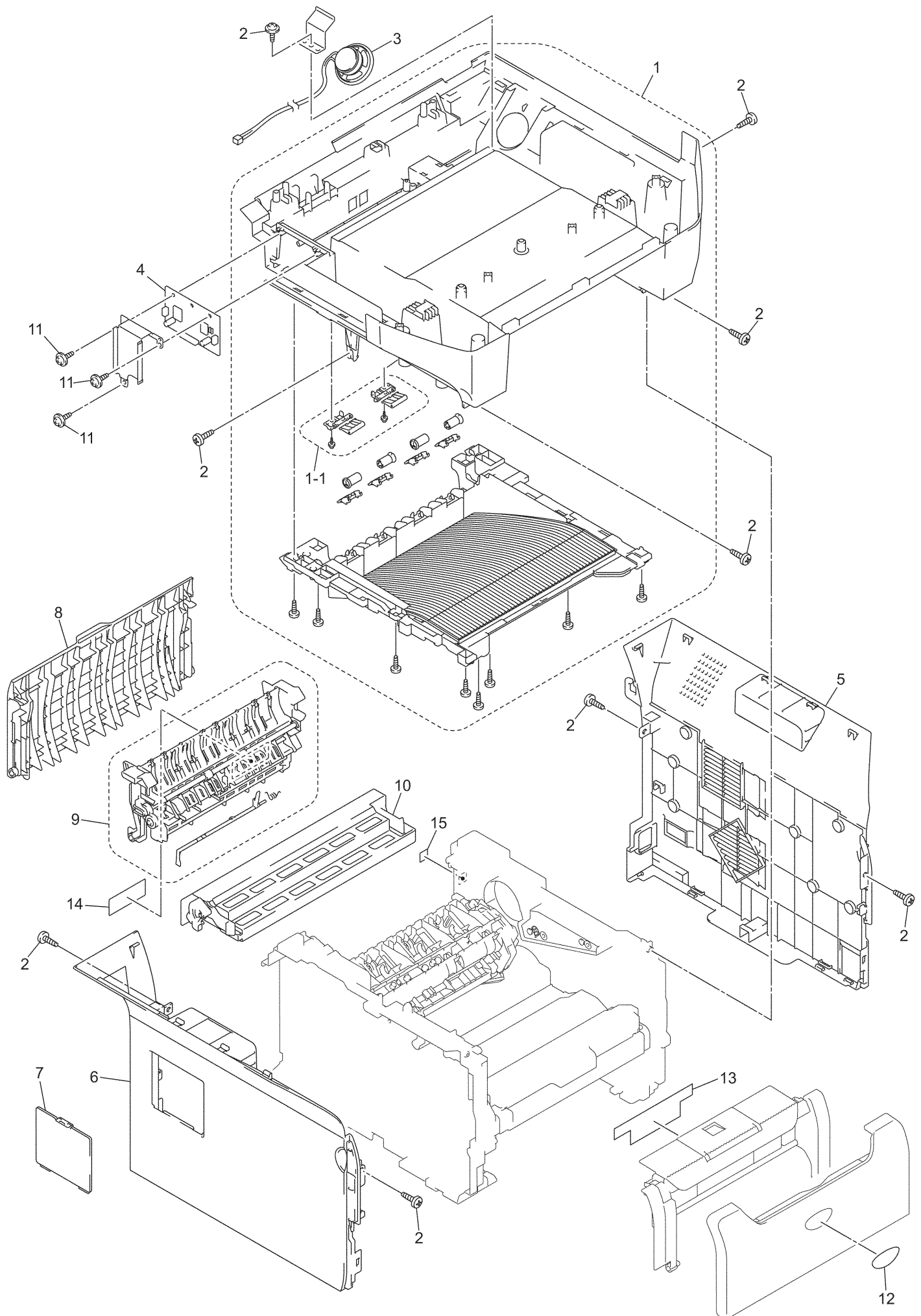
LIST8(FUSER UNIT)

REF No.	CODE	Q'TY	DESCRIPTION	RECOMMEND	REMARKS
1	LU0214001	1	FUSER UNIT 115V (SP) FOR US/CAN/BRA		chg
1	LU0215001	1	FUSER UNIT 230V (SP) FOR ARG/CHL		chg
1-1	LM5408001	4	PRESSURE SPRING		ADD
1-2	LM5513001	4	EJECT PINCH ROLLER M		ADD
2	085411616	1	TAPTITE BIND B M4X16		
3	LM5881001	1	TAPTITE CUP B M4X16		

8C5B03/8C5B05/8C5B13/
 8C5B14/8C5B15/8C5B16/
 8C5B17/8C5B33/8C5B35/
 8C5B43/8C5B45

DCP8060/DCP8065DN/MFC8460N/
 MFC8660DN/MFC8860DN/MFC8870DW/MFC8670DN

9. COVERS



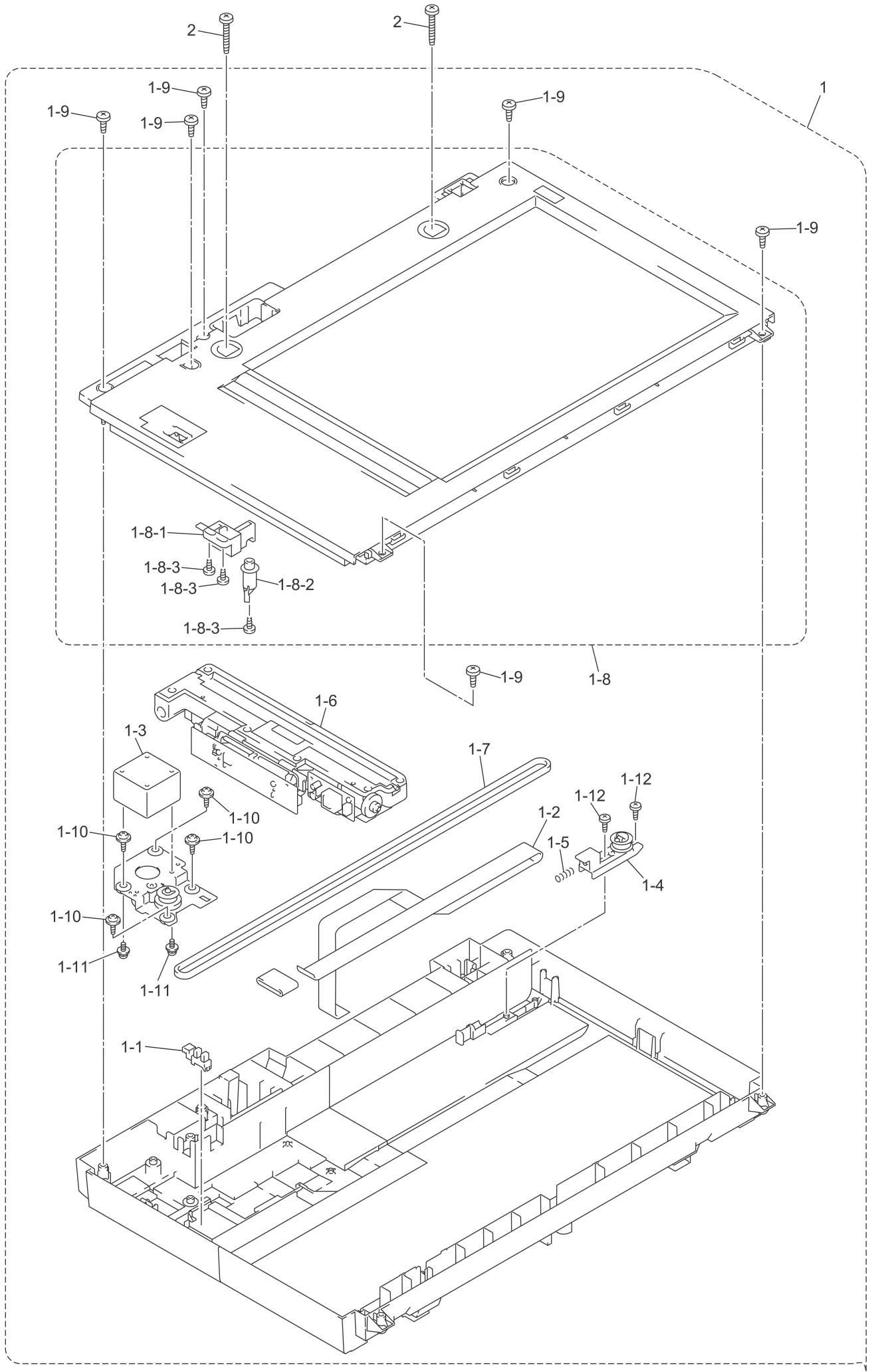
LIST9(COVERS)

REF No.	CODE	Q'TY	DESCRIPTION	RECOMMEND	SYMBOL	REMARKS
1	LF9975001	1	JOINT COVER ASSY, GRAY(1581), DCP8060/DCP8065DN FOR US/CAN			ADD
1	LS0094001	1	JOINT COVER ASSY PSL, GRAY(1581), DCP8060/ DCP8065DN FOR ARG/CHL			chg
1	LF9619001	1	JOINT COVER ASSY, GRAY(1581), MFC8460N/MFC8660DN/MFC8860DN/MFC8870DW/ MFC8670DN FOR US/CAN/BRA			ADD
1	LS0095001	1	JOINT COVER ASSY PSL, GRAY(1581), MFC8460N/ MFC8860DN FOR ARG/CHL			chg
1-1	LU0160001	1	PAPER STACK LEVER ASSY AL, DCP8060/DCP8065DN/MFC8460N/MFC8860DN FOR ARG/CHL			add
2	085411216	9	TAPTITE BIND B M4X12			
3	LG6529001	1	SPEAKER ASSY			
4	LG6531001	1	DRIVER PCB ASSY		B53K850	
5	LF9624001	1	SIDE COVER R, GRAY(1736)			
6	LF9625001	1	SIDE COVER L, GRAY(1736)			
7	LM5273001	1	ACCESS COVER, GRAY(1736)			
8	LM5274001	1	REAR COVER			
9	LU0277001	1	OUTER CHUTE ASSY2 EL25 FOR US/CAN/BRA			chg
9	LU0278001	1	OUTER CHUTE ASSY2 EL20 FOR ARG/CHL			add
10	LM5424001	1	DX COVER, DCP8060/MFC8460N			
11	087310816	3	TAPTITE CUP B M3X8			
12	LM5771001	1	BROTHER EMBLEM			
13	LM5542001	1	PROCESS UNIT OP LABEL, DCP8060/MFC8660DN/ MFC8860DN/MFC8670DN/MFC8870DW, DCP8065DN/MFC8460DN EXCEPT FOR ARG			
13	LM5835001	1	PROCESS UNIT OP LABEL, DCP8065DN/MFC8460N FOR ARG			
14	LM5758001	1	RELEASE LABEL			
15	LM4639001	1	FUSER CAUTION LABEL			

8C5B03/8C5B05/8C5B13/
8C5B14/8C5B15/8C5B16/
8C5B17/8C5B33/8C5B35/
8C5B43/8C5B45

DCP8060/DCP8065DN/MFC8460N/
MFC8660DN/MFC8860DN/MFC8870DW/MFC8670DN

10. SCANNER

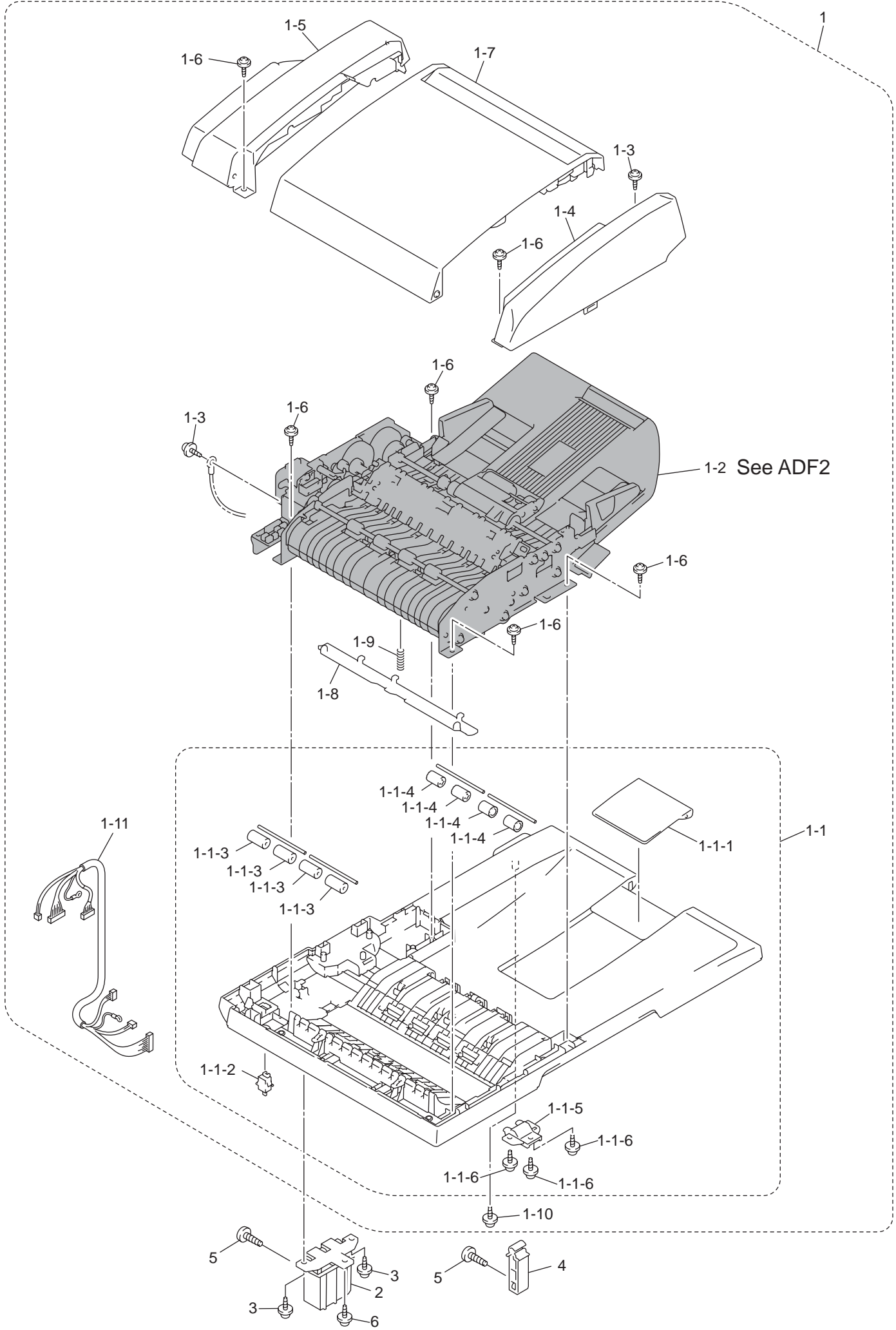


LIST10(SCANNER)

REF No.	CODE	Q'TY	DESCRIPTION	RECOMMEND	REMARKS
1	LP2357001	1	ALFB UNIT ASSY(SP), FOR US/CAN/BRA	√	
1	LS0002001	1	ALFB UNIT ASSY(SP), FOR ARG/CHL		add
1-1	LG2239001	1	PHOTO INTERRUPTER		
1-2	LF9629001	1	FFC CABLE ASSY		
1-3	LE8632001	1	SCANNER MOTOR FB		CHG
1-4	LF9637001	1	PULLEY ASSY		
1-5	LE8640001	1	PULLEY SPRING		
1-6	LF2037001	1	CCD MODULE(SP)	√	
1-7	LE8642001	1	BELT		
1-8	LF9641001	1	TOP COVER ASSY		
1-8-1	LF2004001	1	LOCK LEVER ASSY		
1-8-2	LE8649001	1	LOCK LEVER B		
1-8-3	UF5034001	3	TAPTITE, B 3X6		
1-9	087411216	6	TAPTITE, CUP B M4X12		
1-10	LE2861001	4	TAPTITE, PAN B M3X8		
1-11	0A4300605	2	SCREW, PAN (S/P WASHER) M3X6		
1-12	UF5034001	2	TAPTITE, B 3X6		
2	087412016	2	TAPTITE, CUP B M4X20		

8C5B03/8C5B05/8C5B13/
 8C5B14/8C5B15/8C5C16/
 8C5B17/8C5B33/8C5B35/
 8C5B43/8C5B45

DCP8060/DCP8065DN/MFC8460N/
 MFC8660DN/MFC8860DN/MFC8870DW/MFC8670DN

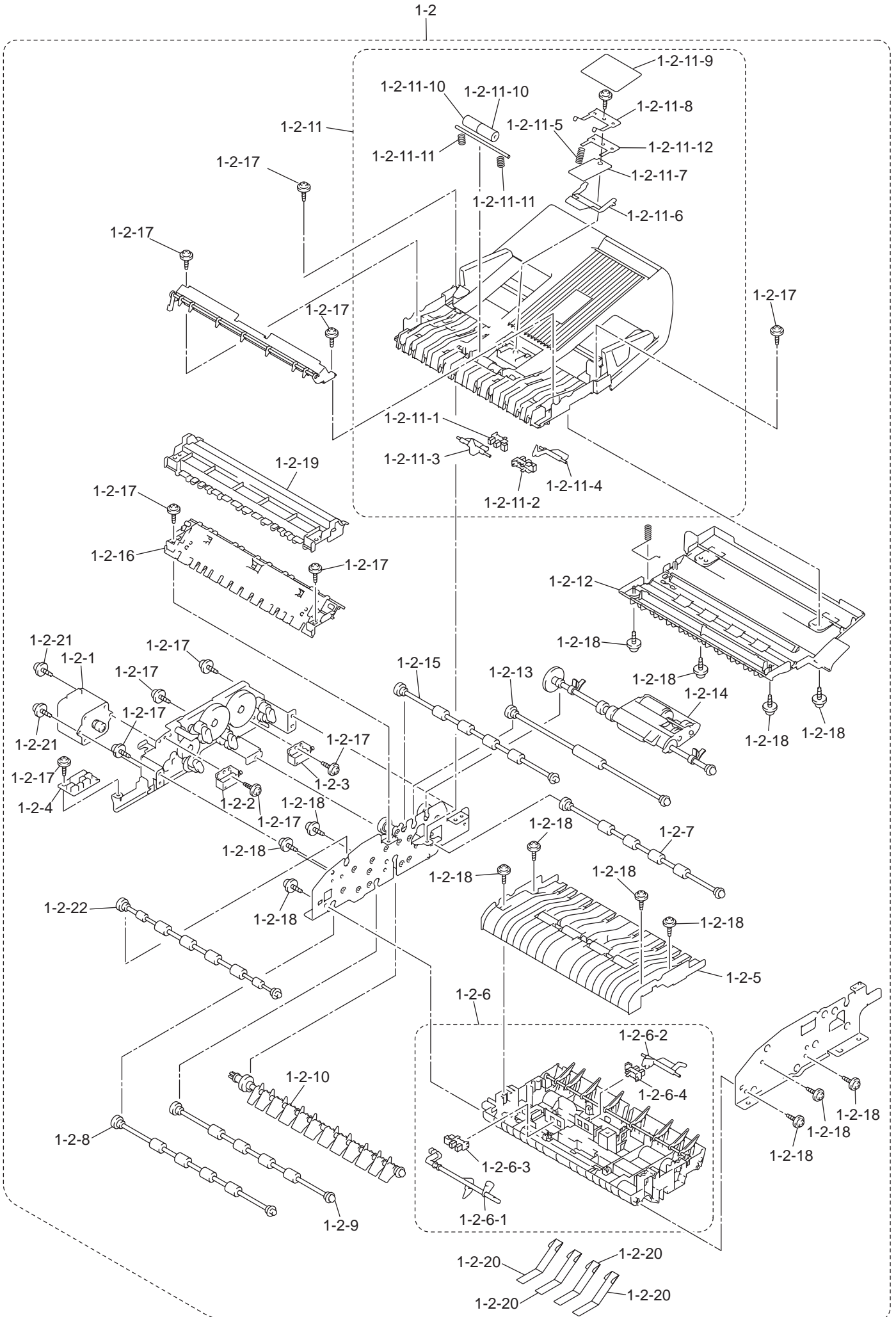


LIST11(ADF1)

REF No.	CODE	Q'TY	DESCRIPTION	RECOMMEND	SYMBOL	REMARKS
1	LS3399001	1	ADF UNIT LGL(SP), DCP8060/MFC8460N/8660DN FOR US/CAN			chg
1	LS3401001	1	ADF UNIT LGL(SP), DCP8060/MFC8460N FOR ARG/CHL			chg
1	LS3400001	1	ADF UNIT LGL(SP), DCP8065DN/MFC8860DN/8870DW/MFC8670DN FOR US/CAN/BRA			chg
1	LS3402001	1	ADF UNIT LGL(SP), DCP8065DN/MFC8860DN FOR ARG/CHL			chg
1-1	LS7294001	1	DOCUMENT COVER LGL SUB ASSY			chg
1-1-1	LF9647001	1	DOCUMENT EJECTION TRAY			
1-1-2	LG3218001	1	DOCUMENT COVER SENSOR			
1-1-3	UF9009001	4	PRESSER ROLLER			
1-1-4	UL6244002	4	EJECTION ROLLER B4			
1-1-5	LE6245001	1	HINGE ARM R			
1-1-6	087311016	3	TAPTITE, CUP B M3X10			
1-2			SEE NEXT PAGE			
1-3	LP2378001	2	TAPTITE CUP S M3X8 SR			
1-4	LF9696001	1	ADF SIDE COVER F			
1-5	LF9697001	1	ADF SIDE COVER R			
1-6	087311016	6	TAPTITE CUP B M3X10			
1-7	LF9700001	1	ADF COVER ASSY, DCP8060/MFC8460N/MFC8660DN			
1-7	LF9754001	1	ADF COVER ASSY, DCP8065DN/MFC8860DN/MFC8870W/MFC8670DN			
1-8	LE8834001	1	DOCUMENT HOLD ASSY			
1-9	LF2026001	1	DOCUMENT HOLD SPRING			
1-10	LP2320001	1	TAPTITE CUP B M3X10			
1-11	LG6575001	1	ADF HARNESS ASSY ALFB SX, DCP8060/MFC8460N/8660DN FOR US/CAN			add
1-11	LT0007001	1	ADF HARNESS ASSY ALFB SX, DCP8060/MFC8460N FOR ARG/CHL			add
1-11	LG6545001	1	ADF HARNESS ASSY ALFB DX, DCP8065DN/MFC8860DN/8870DW/MFC8670DN FOR US/CAN/BRA			add
1-11	LG7199001	1	ADF HARNESS ASSY ALFB DX, DCP8065DN/MFC8860DN FOR ARL/CHL			add
2	LF9703001	1	HINGE ASSY L			
3	087311016	2	TAPTITE CUP B M3X10			
4	LS7497001	1	HINGE BASE R			CHG
5	085411216	2	TAPTITE BIND B M4X12			
6	087321217	1	TAPTITE CUP S M3X12			add

8C5B03/8C5B05/8C5B13/
8C5B14/8C5B15/8C5B16/
8C5B17/8C5B33/8C5B35/
8C5B43/8C5B45

DCP8060/DCP8065DN/MFC8460N/
MFC8660DN/MFC8860DN/MFC8870DW/MFC8670DN



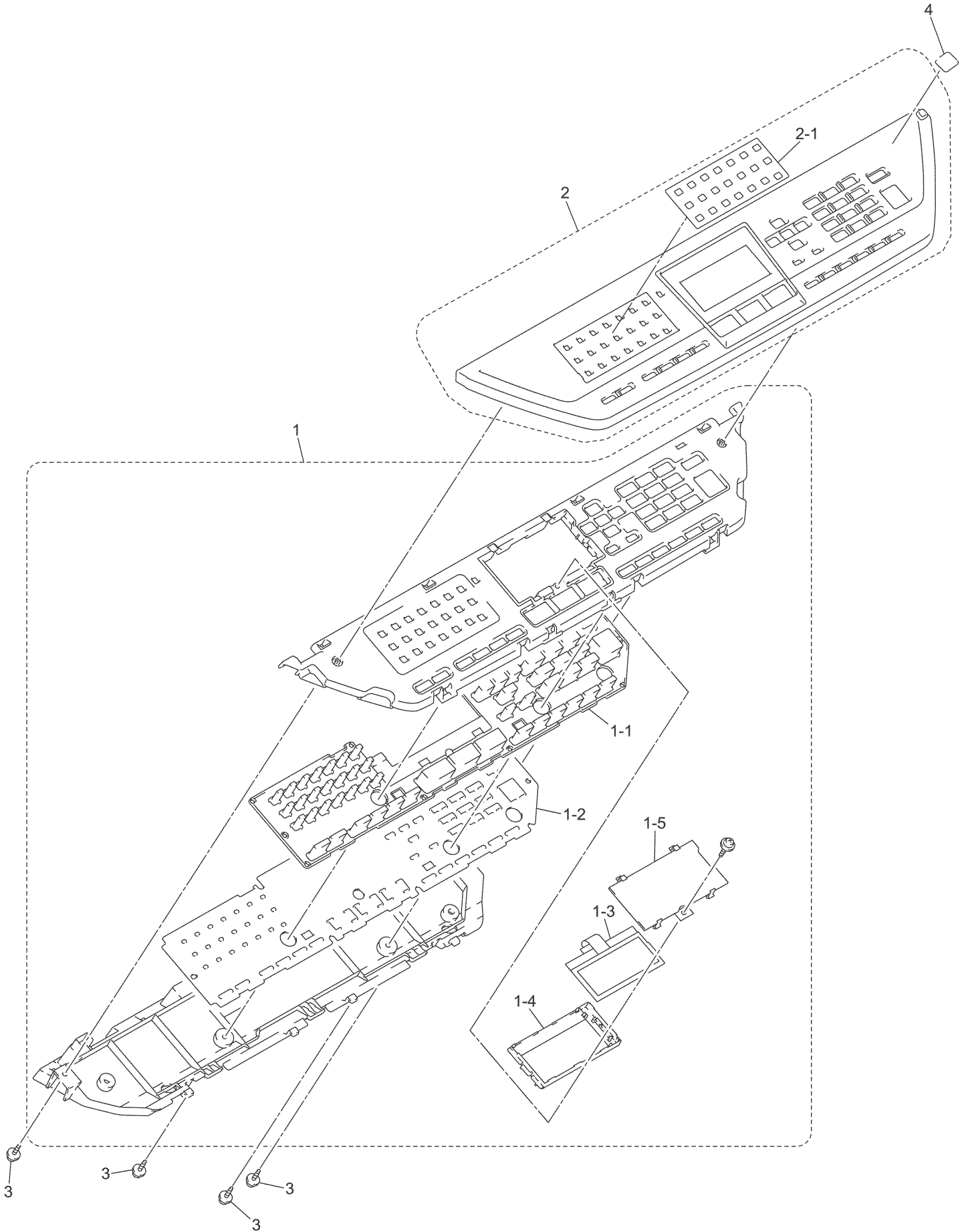
LIST11(ADF2)

REF No.	CODE	Q'TY	DESCRIPTION	RECOMMEND	SYMBOL	REMARKS
1-2	LS7296001	1	ADF CHUTE ASSY, DCP8060/MFC8460N/MFC8660DN			CHG
1-2	LS7297001	1	ADF CHUTE ASSY, DCP8065DN/MFC8860DN/MFC8870DW/MFC8670DN			CHG
1-2-1	LE8688001	1	ADF MOTOR			
1-2-2	LP2353001	1	S/B SOLENOID ASSY, DCP8065DN/MFC8860DN/MFC8870DW/MFC8670DN			chg
1-2-3	LP2354001	1	PF SOLENOID ASSY, DCP8065DN/MFC8860DN/MFC8870DW/MFC8670DN			chg
1-2-4	LG6537001	1	ADF RELAY PCB, DCP8060/MFC8460N/MFC8660DN		B53K847	
1-2-4	LG6537002	1	ADF RELAY PCB, DCP8065DN/MFC8860DN/MFC8870DW/MFC8670DN		B53K847	
1-2-5	LF9666001	1	UPPER MAIN CHUTE ASSY			
1-2-6	LF9669001	1	LOWER MAIN CHUTE ASSY, DCP8060/MFC8460N/MFC8660DN			
1-2-6	LF9741001	1	LOWER MAIN CHUTE ASSY, DCP8065DN/MFC8860DN/MFC8870DW/MFC8670DN			
1-2-6-1	LF9671001	1	ACTUATOR R			
1-2-6-2	LF9742001	1	ACTUATOR SB, DCP8065DN/MFC8860DN/MFC8870DW/MFC8670DN			
1-2-6-3	LG2239001	1	PHOTO INTERRUPTER			
1-2-6-4	LG2239001	1	PHOTO INTERRUPTER, DCP8065DN/MFC8860DN/MFC8870DW/MFC8670DN			chg
1-2-7	LF9673001	1	EXIT ROLLER ASSY			
1-2-8	LF9675001	1	LF ROLLER3 ASSY			
1-2-9	LF9677001	1	LF ROLLER4 ASSY			
1-2-10	LF9743001	1	FLAP ASSY, DCP8065DN/MFC8860DN/MFC8870DW/MFC8670DN			
1-2-11	LF9681001	1	PAPER FEED CHUTE ASSY, DCP8060/MFC8460N/MFC8660DN			
1-2-11	LF9747001	1	PAPER FEED CHUTE ASSY, DCP8065DN/MFC8860DN/MFC8870DW/MFC8670DN			
1-2-11-1	LG2239001	1	PHOTO INTERRUPTER			
1-2-11-2	LG2239001	1	PHOTO INTERRUPTER, DCP8065DN/MFC8860DN/MFC8870DW/MFC8670DN			
1-2-11-3	LF9683001	1	ACTUATOR FRONT1			
1-2-11-4	LF9748001	1	ACTUATOR FRONT2, DCP8065DN/MFC8860DN/MFC8870DW/MFC8670DN			
1-2-11-5	LF9684001	1	SEPARATION SPRING			
1-2-11-6	LF9685001	1	RUBBER HOLDER			
1-2-11-7	LF9686001	1	SEPARATION RUBBER			
1-2-11-8	LE1513001	1	SPRING PLATE ADF FRONT A ASSY			
1-2-11-9	LE2470001	1	ADF FILM			
1-2-11-10	LP2159001	2	PRESSURE ROLLER			
1-2-11-11	LE2472001	2	LF SPRING			
1-2-11-12	LP2907001	1	BACK SHEET ADF			add
1-2-12	LF9692001	1	EXIT CHUTE COVER ASSY			
1-2-13	LP2448001	1	LF ROLLER1 ASSY			chg
1-2-14	LS1030001	1	PF ROLLER HOLDER ASSY			chg
1-2-15	LF9749001	1	SB ROLLER ASSY, DCP8065DN/MFC8860DN/MFC8870DW/MFC8670DN			
1-2-16	LF9751001	1	SB CHUTE ASSY, DCP8065DN/MFC8860DN/MFC8870DW/MFC8670DN			
1-2-17	LP2378001	12	TAPTITE CUP S M3X8 SR			
1-2-18	087311016	14	TAPTITE CUP B M3X10			
1-2-19	LF9850001	1	SX CHUTE, DCP8060/MFC8460N/MFC8660DN			
1-2-20	LP2347001	4	LF4 FILM			
1-2-21	0A4300606	2	SCREW PAN (S/P WASHER) M3X6			CHG
1-2-22	LS0761001	1	LF ROLLER2 ASSY			add

8C5B03/8C5B05/8C5B13/
8C5B14/8C5B15/8C5B16/
8C5B17/8C5B33/8C5B35/
8C5C43/8C5B45

DCP8060/DCP8065DN/MFC8460N/
MFC8660DN/MFC8860DN/MFC8870DW/MFC8670DN

12. PANEL



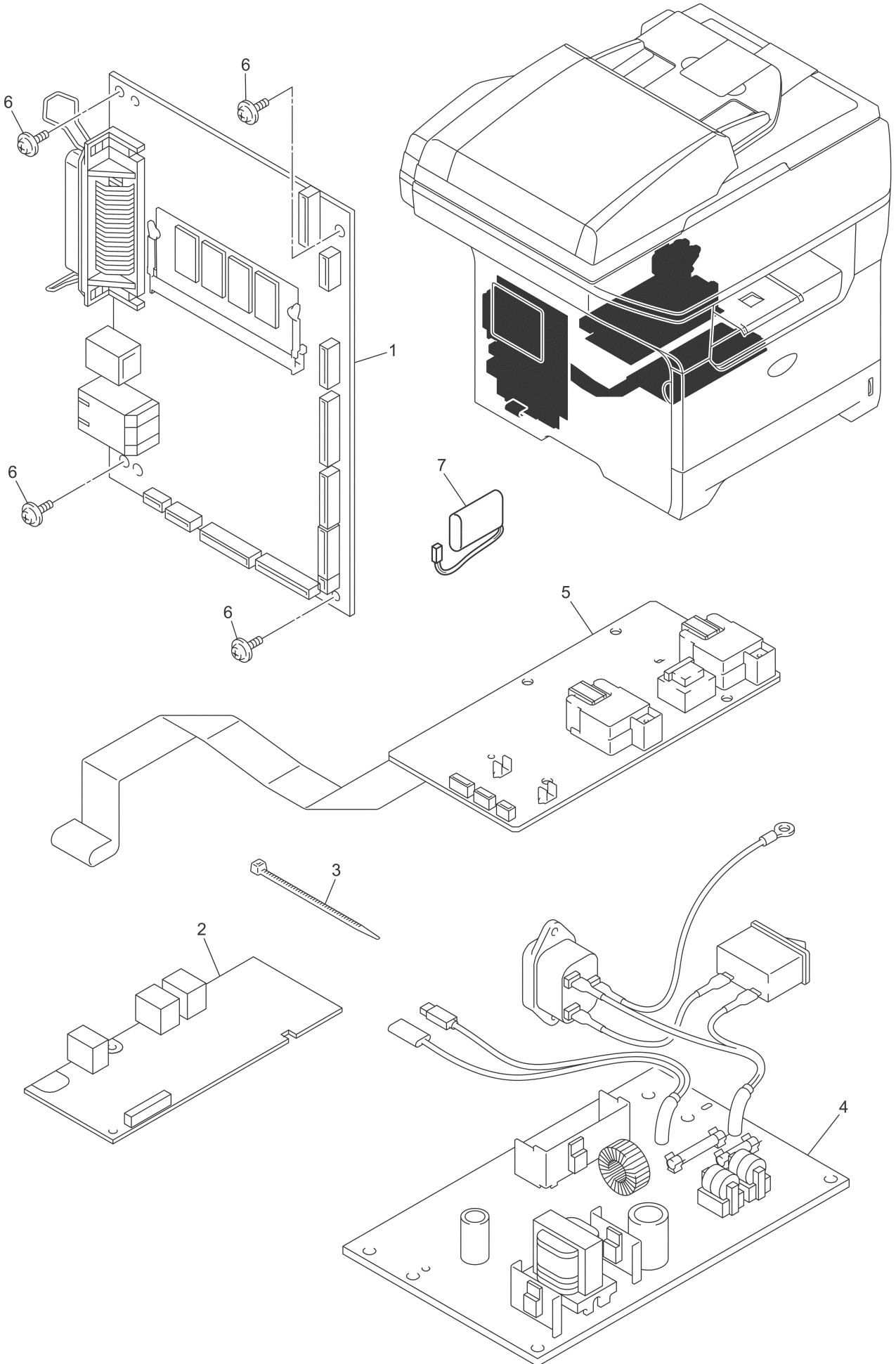
LIST12(PANEL)

REF No.	CODE	QTY	DESCRIPTION	RECOMMEND	SYMBOL	REMARKS
1	LF9768001	1	PANEL UNIT, DCP8060/DCP8065DN			
1	LF9704001	1	PANEL UNIT, MFC8460N/MFC8660DN/MFC8860DN/ MFC8870DW/MFC8670DN			
1-1	LF9769001	1	PRINTED RUBBER KEY, DCP8060/DCP8065DN			
1-1	LF9706001	1	PRINTED RUBBER KEY, MFC8460N/MFC8660DN/MFC8860DN/ MFC8870DW/MFC8670DN			
1-2	LG6547002	1	PANEL PCB ASSY, DCP8060/DCP8065DN		B53K852	
1-2	LG6547001	1	PANEL PCB ASSY, MFC8460N/MFC8660DN/MFC8860DN/ MFC8870DW/MFC8670DN		B53K852	
1-3	LG6549001	1	LCD			
1-4	LG6550001	1	BACK LIGHT MODULE			
1-5	LF9709001	1	LCD COVER			
2	LF9771001	1	PANEL COVER ASSY, DCP8060 FOR US/CAN			
2	LF9775001	1	PANEL COVER ASSY, DCP8065DN			
2	LF9712001	1	PANEL COVER ASSY, MFC8460N			
2	LP2407001	1	PANEL COVER ASSY, MFC8660DN			add
2	LF9756001	1	PANEL COVER ASSY, MFC8860DN FOR US/CAN/ARG/CHL			
2	LF9778001	1	PANEL COVER ASSY, MFC8870DW			
2	LP2163001	1	PANEL COVER ASSY, DCP8060 FOR ARG/CHL			
2	LP2061001	1	PANEL COVER ASSY, MFC8860DN FOR BRA			
2	LS1097001	1	PANEL COVER ASSY, MFC8670DN			
2-1	LF9717001	1	ADDRESS LABEL, MFC8460N/MFC8660DN/MFC8860DN/ MFC8870DW/MFC8670DN			ADD
3	087411216	4	TAPTITE CUP B M4X12			
4	LP0380001	1	WIRELESS EMBLEM, MFC8870DW			add
5	LF9717001	1	ADDRESS LABEL, MFC8460N/MFC8660DN/MFC8860DN/ MFC8870DW/MFC8670DN			DEL

8C5B03/8C5B05/8C5B13/
8C5B14/8C5B15/8C5B16/
8C5B17/8C5B33/8C5B35/
8C5B43/8C5B45

DCP8060/DCP8065DN/MFC8460N/
MFC8660DN/MFC8860DN/MFC8870DW/MFC8670DN

13. PCB



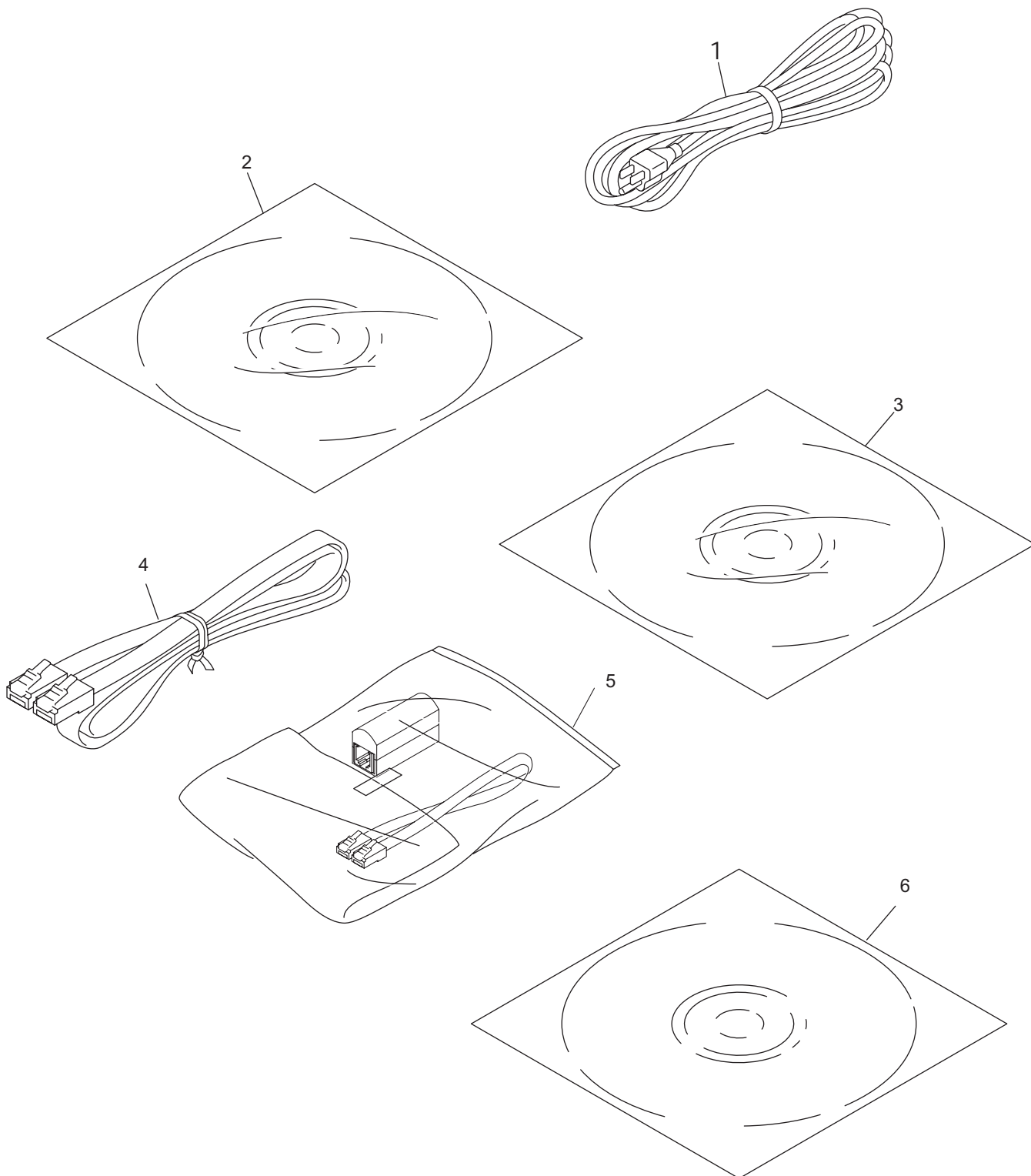
LIST13(PCB)

REF No.	CODE	Q'TY	DESCRIPTION	RECOMMEND	SYMBOL	REMARKS
1	LG6566001	1	MAIN PCB ASSY, DCP8060	√	B53K830	
1	LG6567001	1	MAIN PCB ASSY, DCP8065DN	√	B53K830	
1	LG6552001	1	MAIN PCB ASSY, MFC8460N FOR US/CAN	√	B53K830	
1	LG6661001	1	MAIN PCB ASSY, MFC8660DN	√	B53K830	add
1	LG6563001	1	MAIN PCB ASSY, MFC8860DN/MFC8670DN FOR US/CAN	√	B53K830	
1	LG6568001	1	MAIN PCB ASSY, MFC8870DW	√	B53K830	
1	LG6552004	1	MAIN PCB ASSY, MFC8460N FOR ARG	√	B53K830	
1	LG6563004	1	MAIN PCB ASSY, MFC8860DN FOR ARG/CHL/BRA	√	B53K830	
2	LG5925001	1	NCU PCB ASSY, MFC8460N/MFC8660DN/ MFC8860DN/MFC8870DW/MFC8670DN FOR US	√	B53K784	
2	LG5925002	1	NCU PCB ASSY, MFC8460N/8860DN/8870DW FOR CAN	√	B53K784	
2	LG6190005	1	NCU PCB ASSY, MFC8460N/MFC8860DN FOR ARG/CHL	√	B53K786	CHG
2	LG6190006	1	NCU PCB ASSY, MFC8860DN FOR BRA	√	B53K786	
3	LJ8657001	1	BINDER 2.3X79			
4	LG6556001	1	PS PCB UNIT, DCP8060/DCP8065DN/MFC8460N/MFC8660DN/ MFC8860DN/MFC8670DN FOR US/CAN/BRA			
4	LG7176001	1	PS PCB UNIT, MFC8870DW			add
4	LG6623001	1	PS PCB UNIT, DCP8060/DCP8065DN FOR ARG/CHL			
4	LG7057001	1	PS PCB UNIT, MFC8460N/MFC8860DN FOR ARG/CHL			
5	LJ9978001	1	HIGH-VOLTAGE PS PCB ASSY			
6	LM5867001	4	TAPTITE CUP S M3X6 SR			
7	LG5921001	1	BATTERY ASSY, DCP8065DN/MFC8460N/ MFC8660DN/MFC8860DN/MFC8870DW/MFC8670DN	√		

8C5B03/8C5B05/8C5B13/
8C5B14/8C5B15/8C5B16/
8C5B17/8C5B33/8C5B35/
8C5B43/8C5B45

DCP8060/DCP8065DN/MFC8460N/
MFC8660DN/MFC8860DN/MFC8870DW/MFC8670DN

14. ACCESSORIES



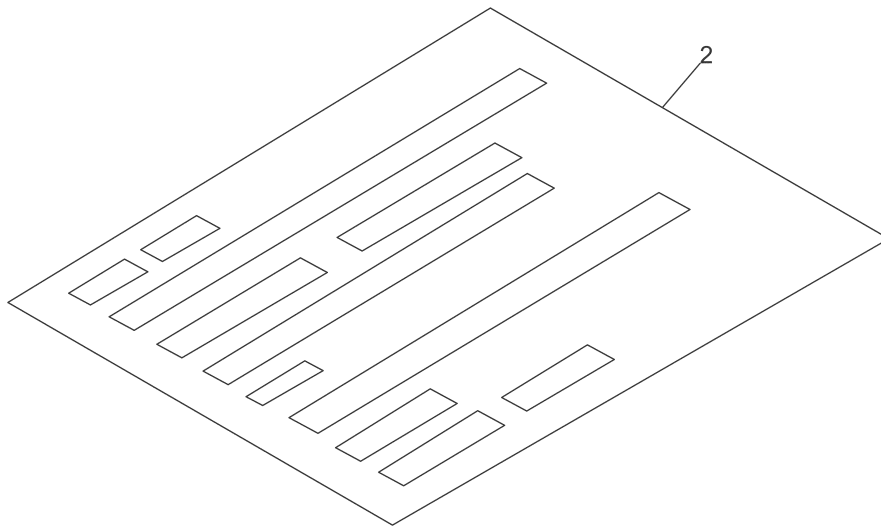
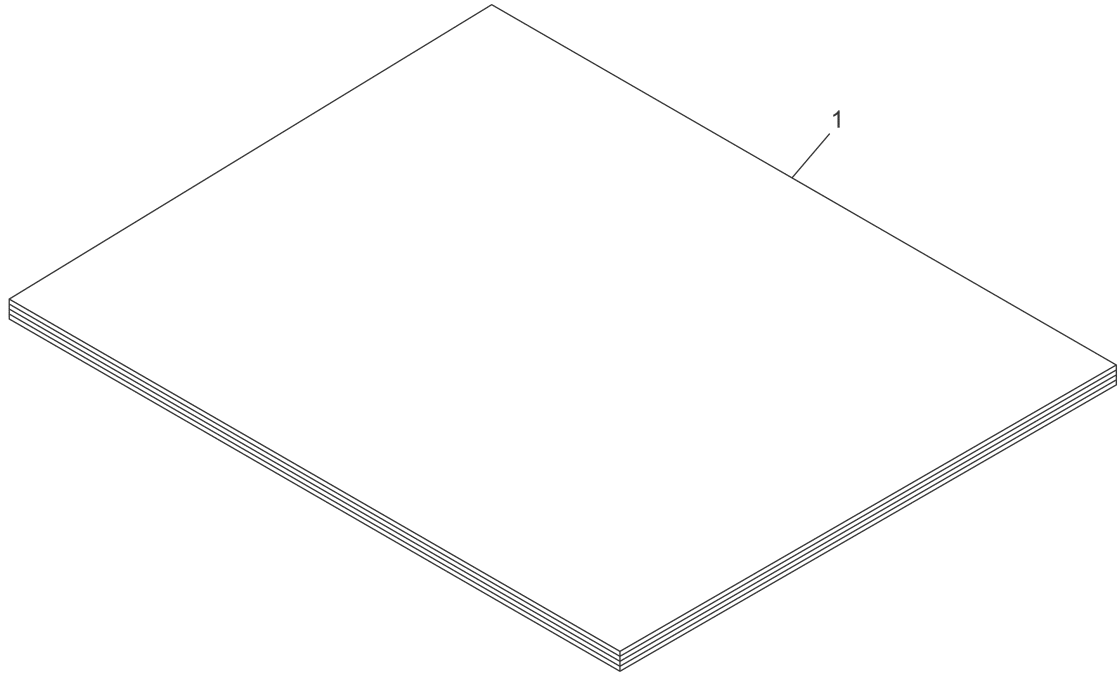
LIST14(Accessories)

REF No.	CODE	QTY	DESCRIPTION	RECOMMEND	REMARKS
1	LG4400001	1	AC CORD BAG ASSY FOR US/CAN		
1	LT0925001	1	AC CORD BAG ASSY FOR ARG		CHG
1	LG6207001	1	AC CORD BAG ASSY FOR CHL		
1	LG4715001	1	AC CORD BAG ASSY FOR BRA		
2	LP2046001	1	CD-ROM ASSY, DCP8060 FOR US/CAN (Windows)		
2	LP2214001	1	CD-ROM ASSY, DCP8065DN FOR US (Windows)		
2	LP2015001	1	CD-ROM ASSY, MFC8460N FOR US/CAN (Windows)		
2	LP2409001	1	CD-ROM ASSY, MFC8660DN (Windows) (Macintosh)		add
2	LP2215001	1	CD-ROM ASSY, MFC8860DN FOR US/CAN (Windows)		
2	LP2216001	1	CD-ROM ASSY, MFC8870DW (Windows)		
2	LP2153001	1	CD-ROM ASSY, DCP8065DN FOR ARG (Windows)		
2	LP2101001	1	CD-ROM ASSY, DCP8060 FOR ARG/CHL (Windows)		
2	LS0040001	1	CD-ROM ASSY, MFC8460N FOR ARG (Windows)		
2	LP2063001	1	CD-ROM ASSY, MFC8860DN FOR ARG/CHL/BRA (Windows)		
3	LP2211001	1	CD-ROM ASSY, DCP8060/DCP8065DN (Macintosh)		chg
3	LS0041001	1	CD-ROM ASSY, MFC8460N/MFC8860DN FOR US/CAN/BRA/ARG/CHL (Macintosh)		chg
3	LP2285001	1	CD-ROM ASSY, MFC8870DW (Macintosh)		chg
3	LS1100001	1	CD-ROM ASSY, MFC8670DN (Windows) (Macintosh)		
3	LP2209004	4	CD-ROM ASSY, DCP8060 FOR ARG/CHL (Macintosh)		del
3	LS0041004	4	CD-ROM ASSY, MFC8860DN FOR ARG/CHL (Macintosh)		del
4	LG3077001	1	TELEPHONE LINE CORD, MFC8460N/MFC8660DN/MFC8860DN/MFC8870DW/MFC8670DN		
5	LG6592001	1	FILTER ASSY, MFC8860DN FOR BRA		add
6	LS1218001	1	CD-ROM ASSY VISTA, DCP8060/8065DN/MFC8460N/8660DN/ 8860DN/8870DW/MFC8670DN FOR US/CAN		chg
6	LS0475001	1	CD-ROM ASSY VISTA, DCP8060/MFC8860DN FOR ARG/CHL/BRA		chg
6	LS0474001	1	CD-ROM ASSY VISTA, DCP8065DN/MFC8460N FOR ARG		

8C5B03/8C5B05/8C5B13/
8C5B14/8C5B15/8C5B16/
8C5B17/8C5B33/8C5B35/
8C5B43/8C5B45

DCP8060/DCP8065DN/MFC8460N/
MFC8660DN/MFC8860DN/MFC8870DW/MFC8670DN

15. PRINTED MATERIALS



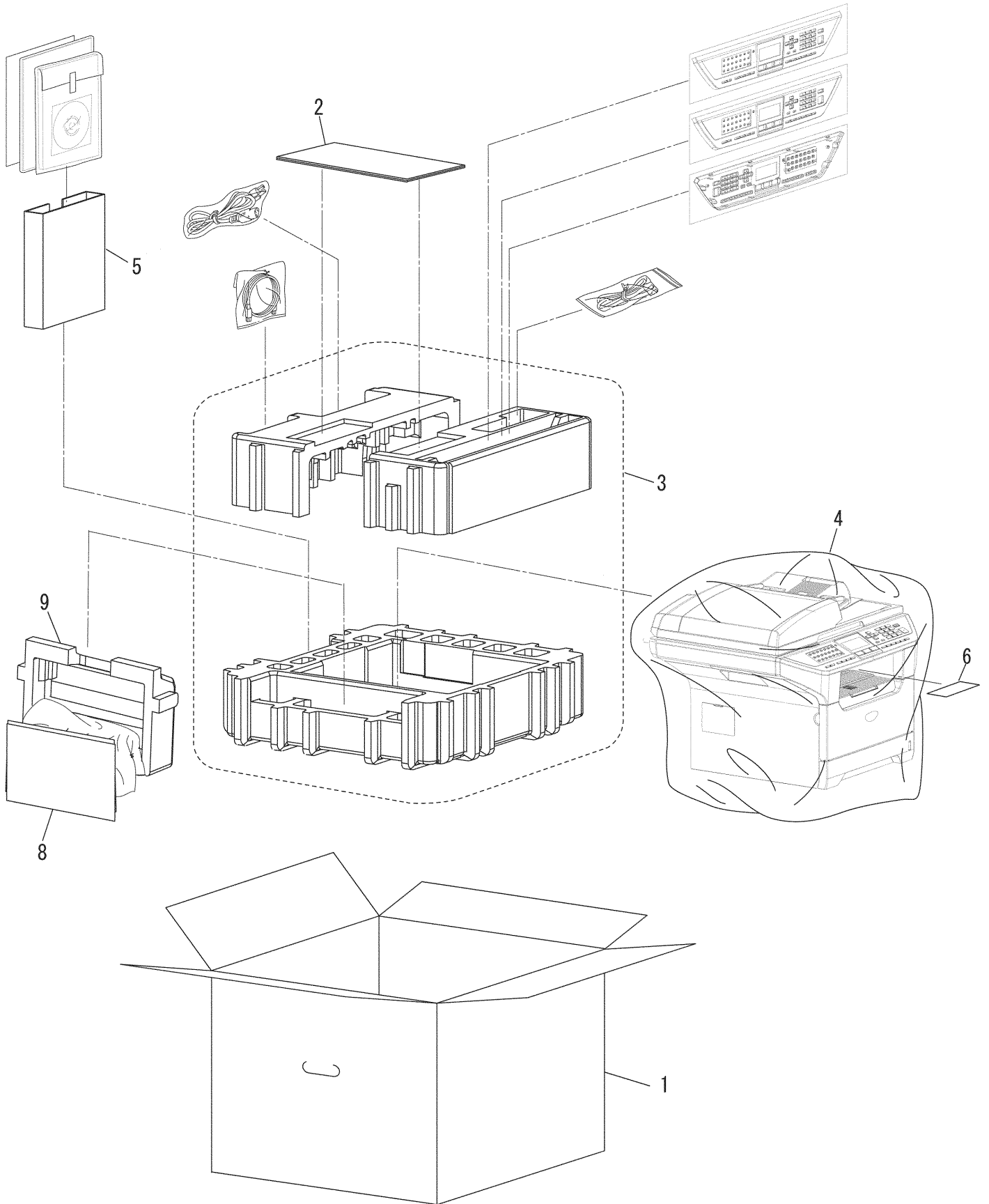
LIST15(PRINTED MATERIALS)

REF No.	CODE	Q'TY	DESCRIPTION	RECOMMEND	REMARKS
1	LP2049001	1	USER'S GUIDE, DCP8060/DCP8065DN [ENGLISH]		
4	LP2479004	4	USER'S GUIDE, MFC8660DN FOR US [ENGLISH]		DEL
1	LS1102001	1	USER'S GUIDE, MFC8460N/MFC8660DN/MFC8860DN/MFC8870DW/ MFC8670DN FOR US/CAN [ENGLISH]		add
4	LP2019004	4	USER'S GUIDE, MFC8460N/MFC8860DN/MFC8870DW FOR US/CAN [ENGLISH]		del
1	LP2049002	1	USER'S GUIDE, DCP8060 FOR CAN [FRENCH]		
1	LP2019002	1	USER'S GUIDE, MFC8460N/MFC8860DN/MFC8870DW FOR CAN [FRENCH]		
1	LP2323040	1	USER'S GUIDE, DCP8065DN FOR ARG		
1	LP2124040	1	USER'S GUIDE, MFC8460N FOR ARG		
2	LP2055001	1	FRENCH SEAL, DCP8060 FOR CAN		
2	LP2030001	1	FRENCH SEAL, MFC8460N FOR CAN		
2	LP2070001	1	FRENCH SEAL, MFC8860DN/MFC8870DW FOR CAN		

8C5B03/8C5B05/8C5B13/
8C5B14/8C5B15/8C5B16/
8C5B17/8C5B33/8C5B35/
8C5B43/8C5B45

DCP8060/DCP8065DN/MFC8460N/
MFC8660DN/MFC8860DN/MFC8870DW/MFC8670DN

16. PACKING MATERIALS



LIST16(PACKING MATERIALS)

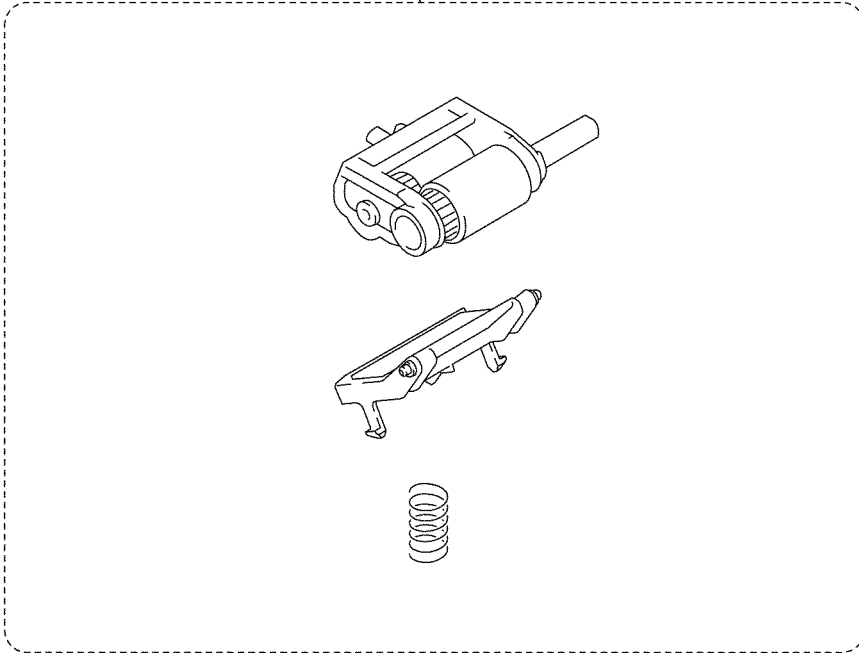
REF No.	CODE	Q'TY	DESCRIPTION	RECOMMEND	REMARKS
1	LP2485001	1	CARTON BROTHER, DCP8060	√	chg
1	LP2486001	1	CARTON BROTHER, DCP8065DN	√	chg
1	LP2487001	1	CARTON BROTHER, MFC8460N	√	chg
1	LP2413001	1	CARTON BROTHER, MFC8660DN	√	add
1	LP2490001	1	CARTON BROTHER, MFC8860DN	√	chg
1	LP2066001	1	CARTON BROTHER, MFC8870DW	√	
1	LS1104001	1	CARTON BROTHER, MFC8670DN	√	
2	LP2053001	1	QUICK SETUP GUIDE, DCP8060/DCP8065DN FOR US/CAN [ENGLISH]		
2	LP2024001	1	QUICK SETUP GUIDE, MFC8460N/MFC8860DN FOR US/CAN [ENGLISH]		
2	LP2416001	1	QUICK SETUP GUIDE, MFC8660DN		add
2	LS1107001	1	QUICK SETUP GUIDE, MFC8670DN		
2	LP2067001	1	QUICK SETUP GUIDE, MFC8870DW [ENGLISH]		
2	LP2053002	1	QUICK SETUP GUIDE, DCP8060 FOR CAN [FRENCH]		
2	LP2024002	1	QUICK SETUP GUIDE, MFC8460N/MFC8860DN FOR CAN [FRENCH]		
2	LP2067002	1	QUICK SETUP GUIDE, MFC8870DW FOR CAN [FRENCH]		
2	LP2086040	1	QUICK SETUP GUIDE, DCP8065DN FOR ARG		
2	LP2161040	1	QUICK SETUP GUIDE, MFC8460N FOR ARG		
3	LP2456001	1	POLYSTYRENE FORM PAD ASSY		chg
4	UE1688001	1	PE BAG 1000X1000H		
5	LF9725001	1	CARTON OPTION		
6	LL0696001	1	SHEET 70x110		
7	---		N/A		
8	LF9984001	1	DRUM UNIT PAD		add
9	LP2460001	1	POLYSTYRENE FOAM PAD DRUM		ADD

8C5B03/8C5B05/8C5B13/
8C5B14/8C5B15/8C5B16/
8C5B17/8C5B33/8C5B35/
8C5B43/8C5B45

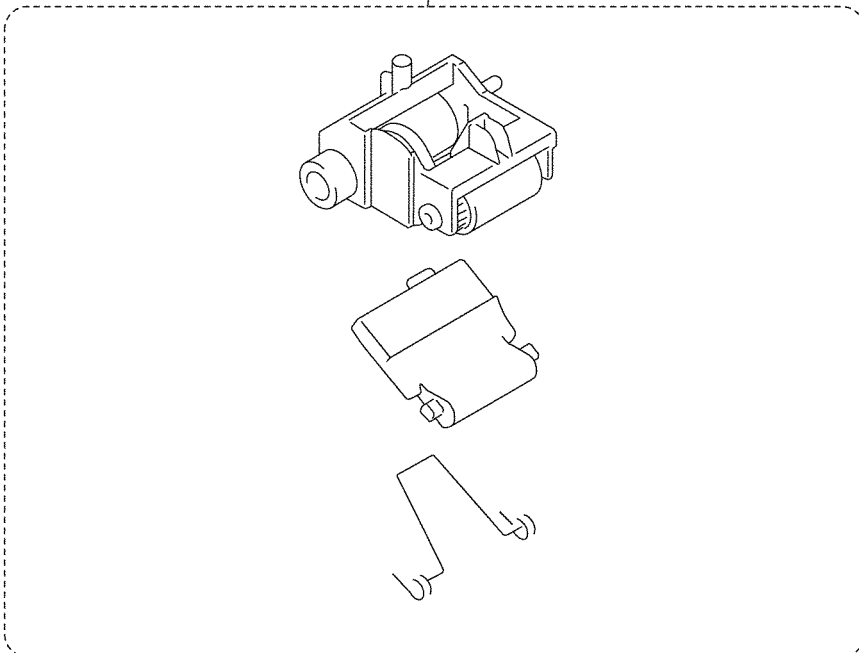
DCP8060/DCP8065DN/MFC8460N/
MFC8660DN/MFC8860DN/MFC8870DW/MFC8670DN

17. OTHERS

1



2



LIST17(OTHERS)

REF No.	CODE	Q'TY	DESCRIPTION	RECOMMEND	REMARKS
1	LM5852001	1	ROLLER HOLDER SP ASSY		
2	LM6753001	1	MP ROLLER HOLDER SP ASSY		CHG

8C5B03/8C5B05/8C5B13/
 8C5B14/8C5B15/8C5B16/
 8C5B17/8C5B33/8C5B35/
 8C5B43/8C5B45

DCP8060/DCP8065DN/MFC8460N/
 MFC8660DN/MFC8860DN/MFC8870DW/MFC8670DN

brother®

PL-FAX124
8C5B03
Ver. AG-1