

brother[®]

**COLOR INKJET PRINTER
PARTS REFERENCE LIST**

MODEL:MC-3000

MECHANISMS & ELECTRONICS

NOTE FOR USING THIS PARTS REFERENCE LIST

1. In the case of ordering parts, it needs mentioning the following items:

- (1) Code
- (2) Q'ty
- (3) Description
- (4) Symbol (PCB No., Revision , and Parts location mounted on the PCB.)

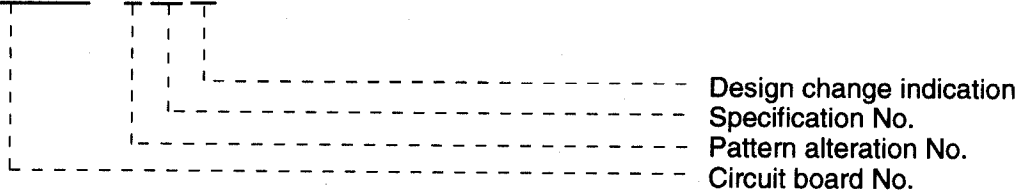
Note : No orders without Parts Code or Tool No. can be accepted.

< Example >

REF.NO.	SYMBOL	CODE	Q'TY	DESCRIPTION	REMARKS

Revision No. : marked on the printed circuit board.

B48K056 - 201A



2. Design-changed parts:

If the parts are changed, any one of the following symbols is indicated in the REMARKS column.

- #A : compatible between old and new
- #B : replaceable from old to new
- #D : incompatible
- # : newly established

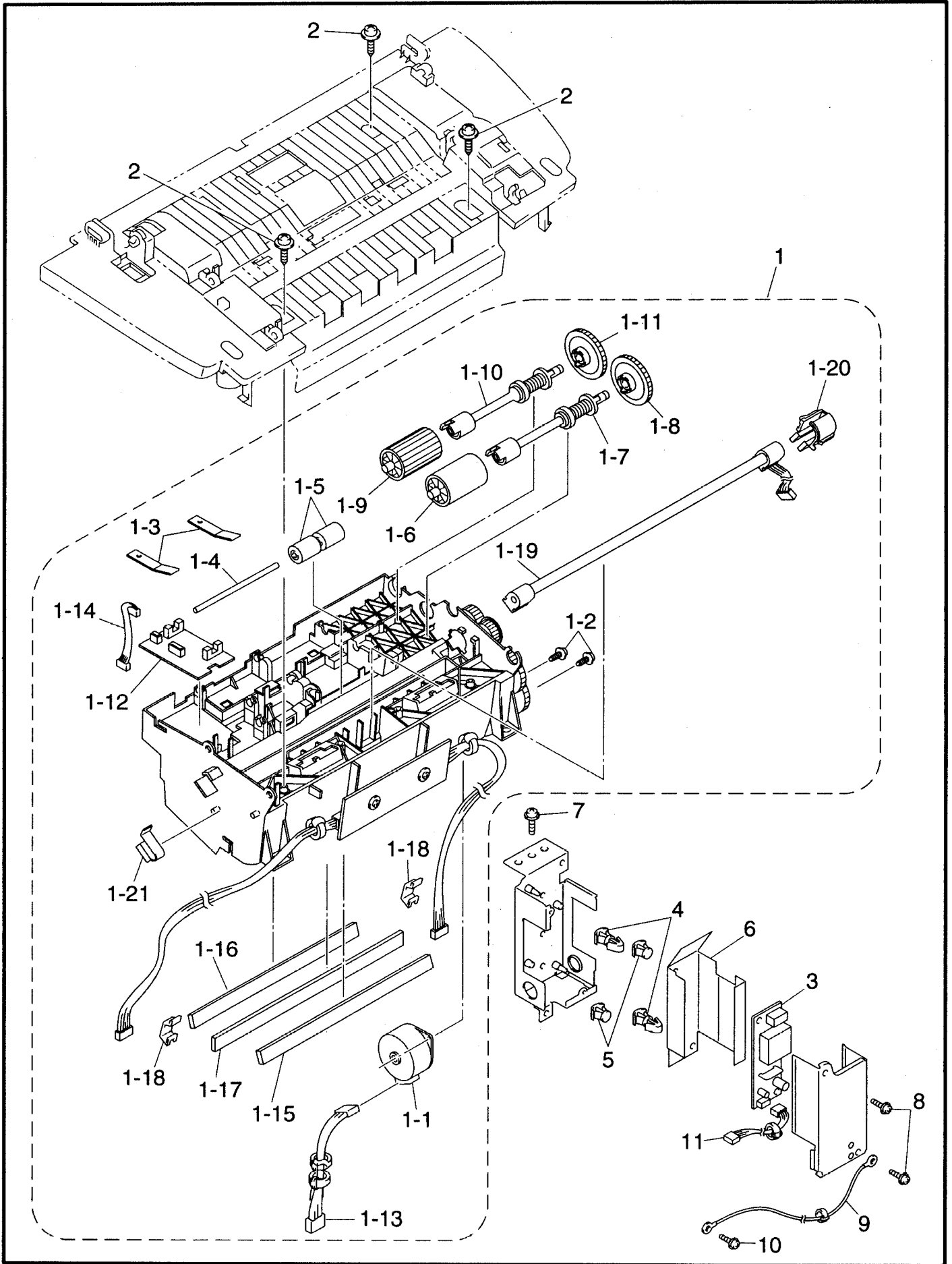
3. The original of this list was made based on the information available in March, 1996.

4. Parts are subject to change in design without prior notice.

CONTENTS

1. 58W111-010	SCANNER FRAME	1
2. 58W111-015	DOCUMENT FEED	3
3. 58W111-020	PRINT FRAME	3
4. 58W111-030	PAPER FEED.....	5
5. 58W111-040	PAPER FEED DRIVE.....	7
6. 58W111-041	MP TRAY	7
7. 58W111-050	PURGE UNIT	9
8. 58W111-060	COVER.....	11
9. 58W111-069	LABEL	13
10. 58W111-070	CONTROL PANEL	13
11. 58W111-100/101	MAIN PCB	15
12. 58W111-200	POWER SUPPLY.....	15
13. 58W111-450	POWER CORD	17
14. 58W111-910	ATTACHMENT.....	17
15. 58W111-940	PACKING MATERIAL	19
16. 54W111-940	OTHERS	19

1. 58W111-010 SCANNER FRAME

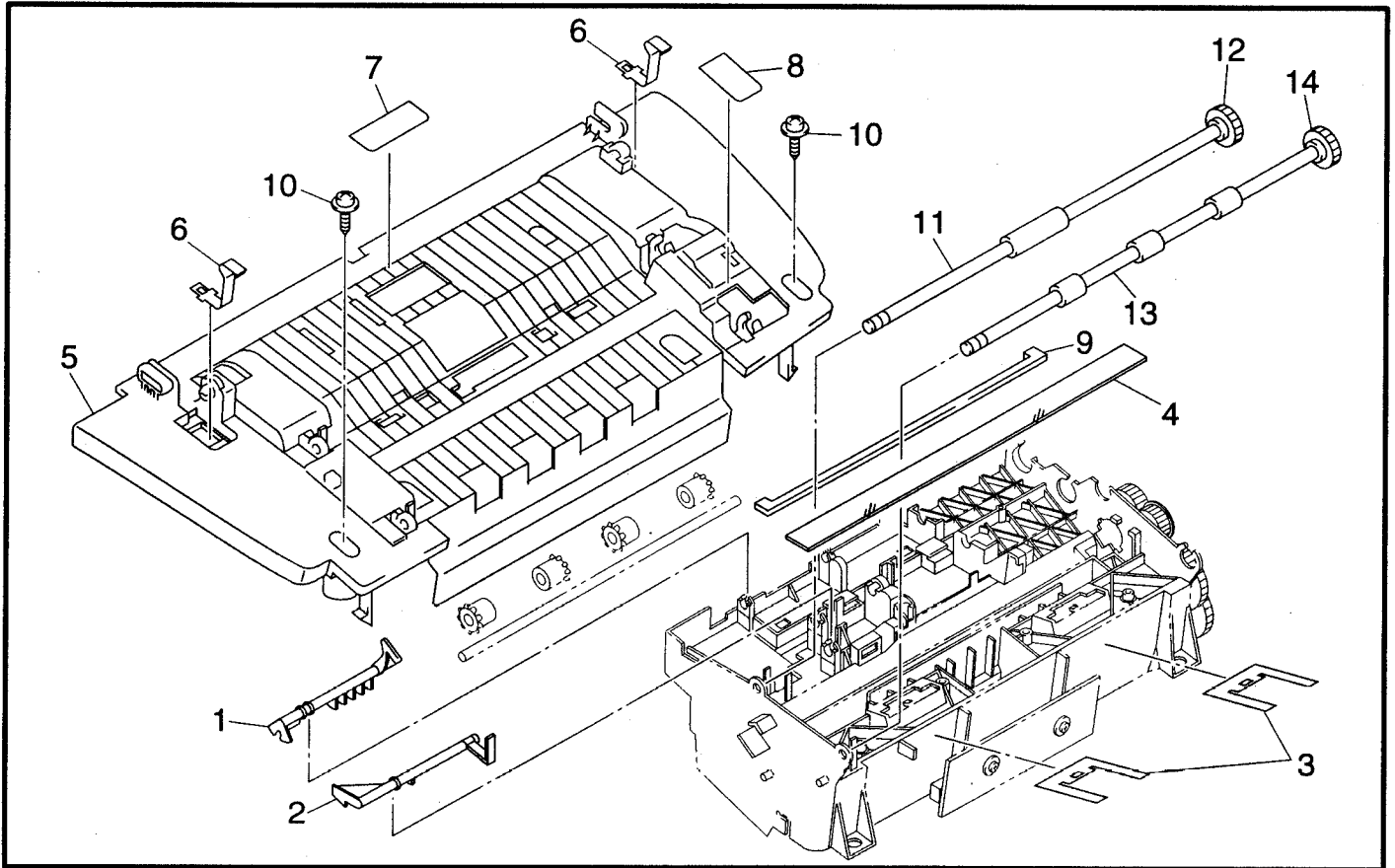


1. SCANNER FRAME

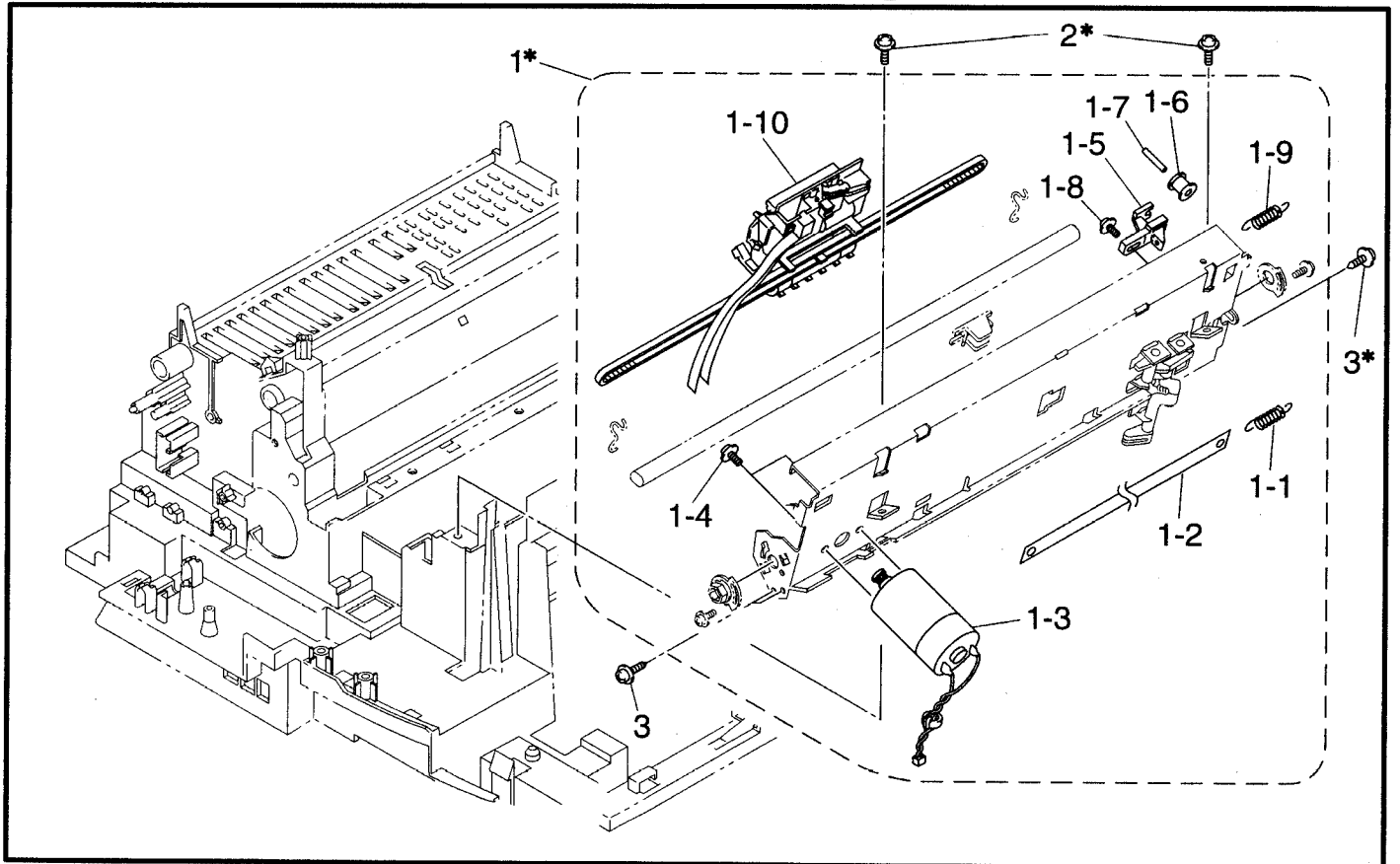
REF.NO.	CODE	Q'TY	DESCRIPTION	REMARKS
1	UD6638001	1	SCANNER UNIT MC (SP)	
1-1	Z26446001	1	SCANNER MOTOR	
1-2	0A5300805	2	SCREW, PAN (S/P WASHER) M3X8	
1-3	UF9007001	2	PRESSURE ROLLER SPRING	
1-4	UF9008001	1	PRESSURE ROLLER SHAFT	
1-5	UF9009001	2	PRESSURE ROLLER	
1-6	UF4366001	1	SEPARATION ROLLER	
1-7	UF7016001	1	SEPARATION ROLLER SHAFT ASSY	
1-8	UL5632000	1	GEAR, 43	
1-9	UF7015001	1	SEPARATION ROLLER	
1-10	UF7019001	1	SEPARATION ROLLER SHAFT ASSY	
1-11	UL5632000	1	GEAR, 43	
1-12	UG6019001	1	DOCUMENT SENSOR PCB ASSY	
1-13	UG6005001	1	SCANNER MOTOR HARNESS	
1-14	UG6001001	1	DOCUMENT SENSOR HARNESS	
1-15	UF9017001	1	MIRROR A	
1-16	UF9018001	1	MIRROR B	
1-17	UF9019001	1	MIRROR C	
1-18	UF4431001	2	SPRING, PLATE, MIRROR	
1-19	UF9020001	1	LAMP	
1-20	UF9021001	1	LAMP HOLDER	
1-21	UF9022001	1	LAMP LEAT SPRING	
2	087311016	3	TAPTITE, CUP B M3X10	
3	UG6025001	1	INVERTER PCB ASSY	
4	UF9599001	2	SPACER A	
5	UF9600001	2	SPACER B	
6	UF9601001	1	INSULATING SHEET	
7	087311016	1	TAPTITE, CUP B M3X10	
8	087320516	2	TAPTITE, CUP S M3X5	
9	U38877001	1	INVERTER FG HARNESS ASSY MC	
10	087320516	1	TAPTITE, CUP S M3X5	
11	U38878001	1	INVERTER -MAIN HARNESS MC	

MODEL MC-3000 58W111-010

2. 58W111-015 DOCUMENT FEED



3. 58W111-020 PRINT FRAME



2. DOCUMENT FEED

REF.NO.	CODE	Q'TY	DESCRIPTION	REMARKS
1	UF9024001	1	DOCUMENT FRONT SENSOR ACTUATOR	
2	UF9025001	1	DOCUMENT REAR SENSOR ACTUATOR	
3	UF7028001	2	EJECT SPRING	
4	UF9265001	1	COVER GLASS ASSY (SP)	
5	UF9027001	1	INNER COVER,WHITE(1138)	
6	UF9028001	2	PANEL OPEN SPRING	
7	UL5664001	1	ADF FILM	
8	UF7187001	1	GEAR COVER FILM	
9	087311016	2	TAPTITE, CUP B M3X10	
10	UF9249001	1	DOCUMENT DUST FILM	
11	UF7033001	1	LF ROLLER	
12	UF7035000	1	LF ROLLER GEAR	
13	UF9209001	1	DOCUMENT EJECT ROLLER ASSY	
14	UF7035000	1	LF ROLLER GEAR	

MODEL MC-3000 58W111-015

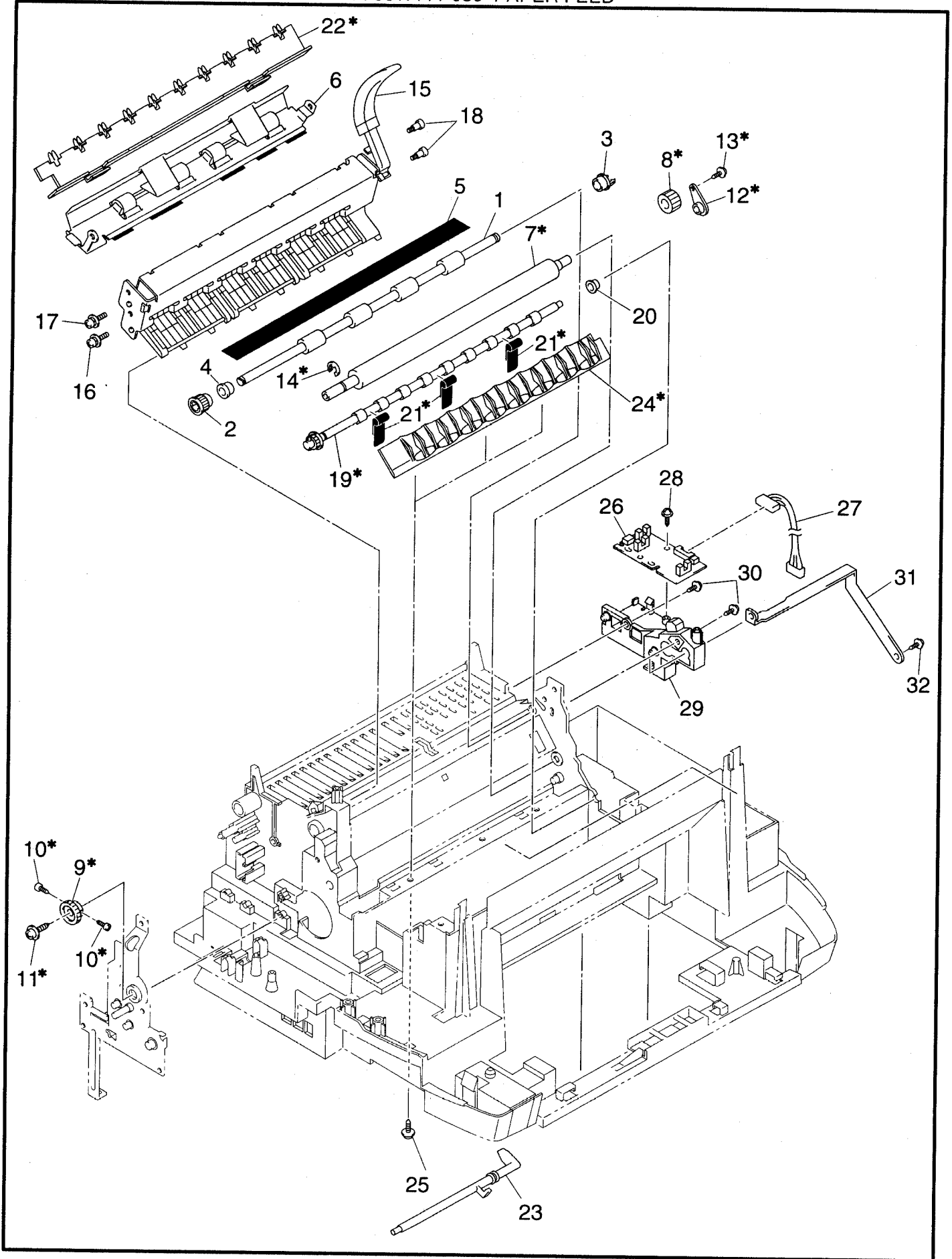
3. PRINT FRAME

REF.NO.	CODE	Q'TY	DESCRIPTION	REMARKS
1*	UF9262001	1	PRINT FRAME CARRIAGE ASSY (SP)	
1-1	UD6012001	1	SPRING, EXTENSION	
1-2	UD6014001	1	ENCODER STRIP	
1-3	UD6015001	1	CARRIAGE MOTOR UNIT	
1-4	0A5300805	2	SCREW, PAN (S/P WASHER) M3X8	
1-5	UD6022001	1	IDLE PULLEY HOLDER	
1-6	UD6023000	1	IDLE PULLEY	
1-7	UD6025001	1	IDLE PULLEY SHAFT	
1-8	0A5300805	1	SCREW, PAN (S/P WASHER) M3X8	
1-9	UD6352001	1	SPRING EXTENSION	
1-10	UF9192001	1	CARRIAGE ASSY	
2*	087311016	2	TAPTITE, CUP B M3X10	
3*	087320516	2	TAPTITE, CUP S M3X5	

* (Asterisk mark) : Replacement requires special tool.

MODEL MC-3000 58W111-020

4. 58W111-030 PAPER FEED

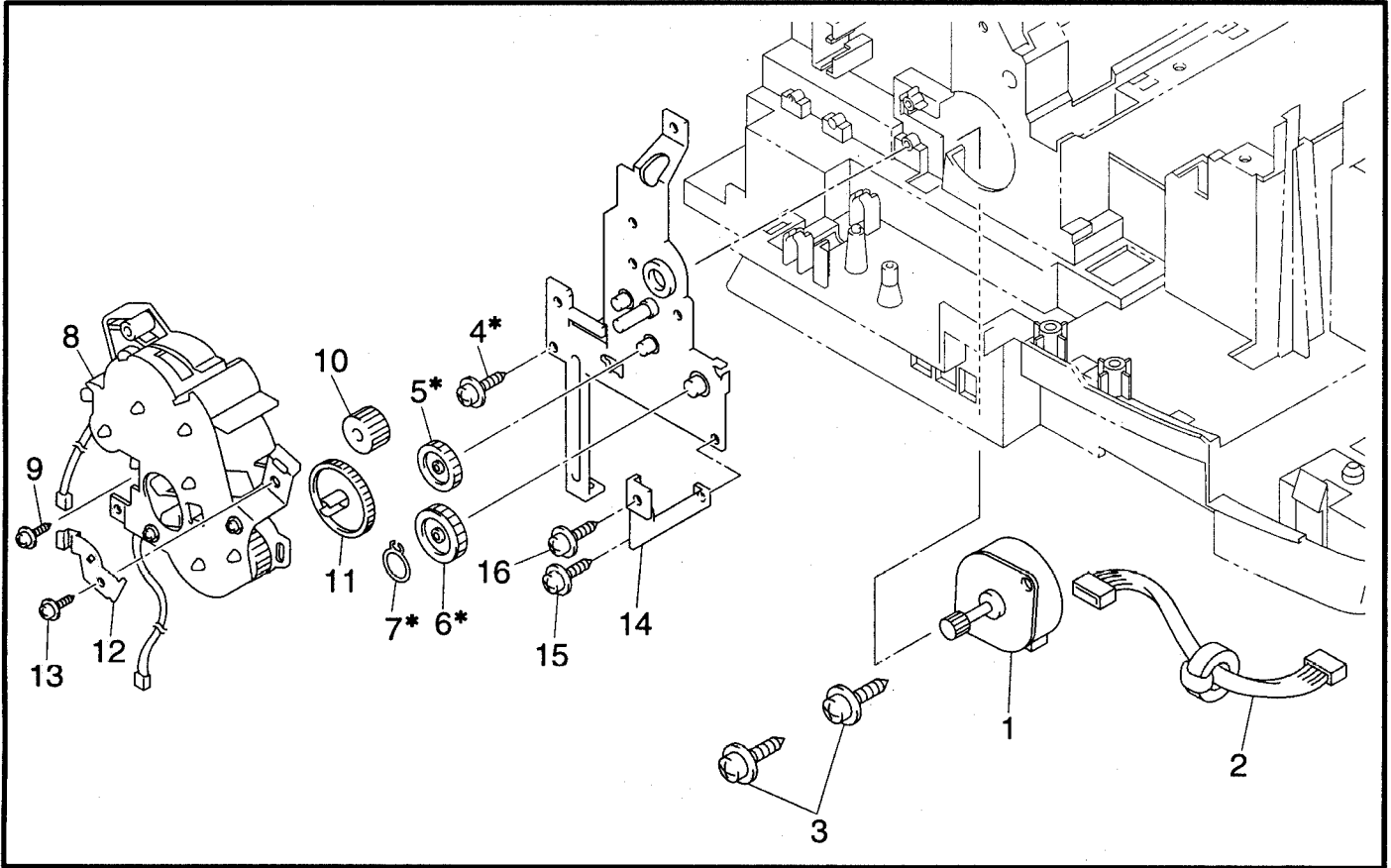


4. PAPER FEED

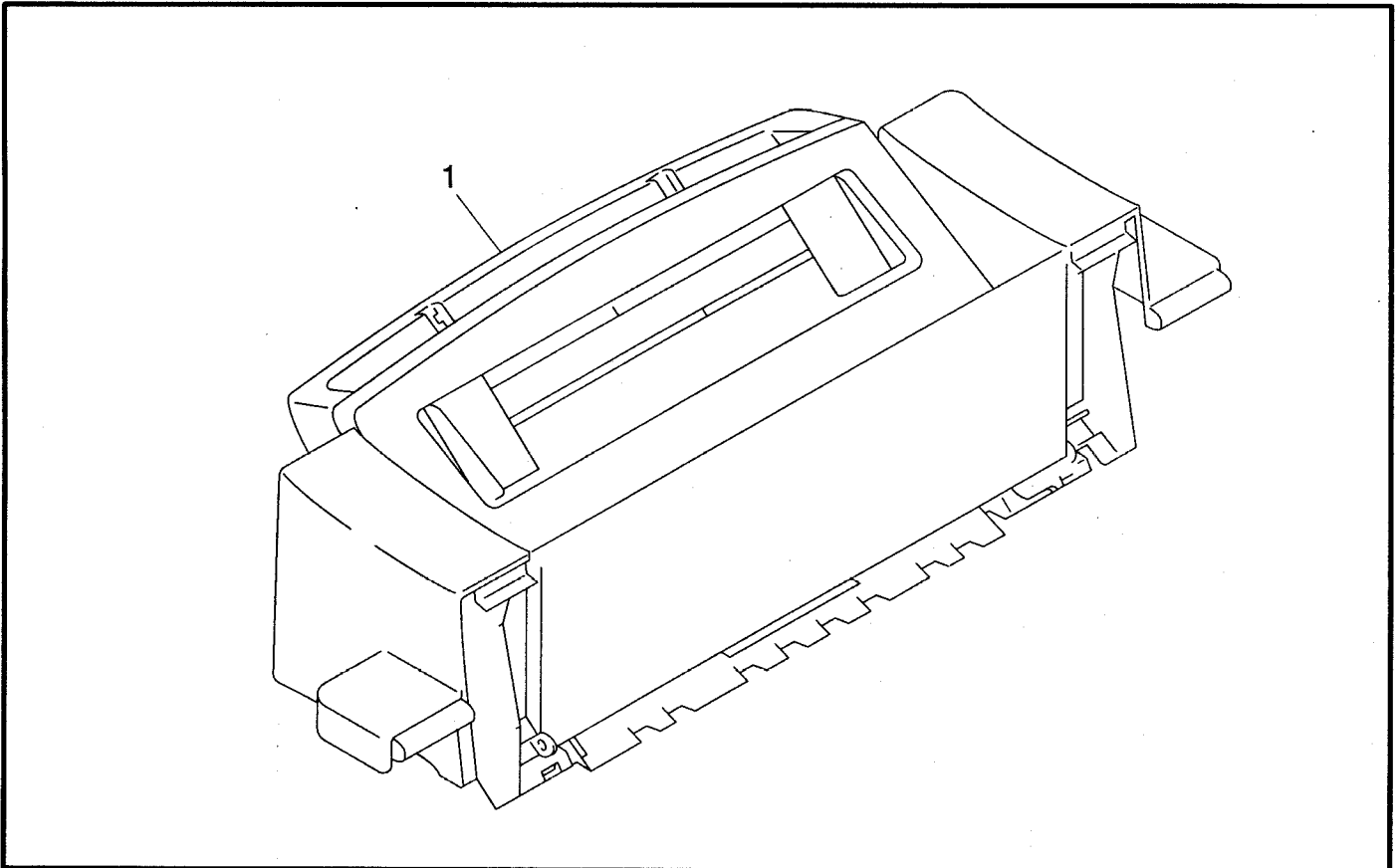
REF.NO.	CODE	Q'TY	DESCRIPTION	REMARKS
1	UF9032001	1	REGISTRATION ROLLER ASSY	
2	UD4310000	1	PF GEAR	
3	UF0026001	1	RESIN BEARING	
4	UF0022000	1	BUSH	
5	UD4394001	1	REGIST ROLLER FILM	
6	UF9034001	1	LF CHUTE ASSY	
7*	UF9036001	1	PAPER FEED ROLLER ASSY	
8*	UF9038001	1	PAPER FEED ROLLER GEAR,R	
9*	UD6032000	1	PAPER FEED ROLLER GEAR L	
10*	UD6364001	2	SCREW, PAN M2X4	
11*	002300615	1	SCREW, PAN M3X6	
12*	UF9039001	1	BUSH	
13*	087311016	1	TAPTITE, CUP B M3X10	
14*	048060345	1	RETAINING RING, E6	
15	UF9151001	1	PRESSURE ROLLER UNIT	
16	087320815	1	TAPTITE, CUP S M3X8	
17	0A5301205	1	SCREW, PAN (S/P WASHER) M3X12	
18	UF0060001	2	SHOULDER SCREW	
19	UD6643001	1	PAPER EJECT GEAR ASSY MC	
20	UF9045001	1	BUSH	
21	UF9244001	3	EJECT ROLLER FILM 2	
22*	UD6553001	1	STAR WHEEL HOLDER ASSY MC	
23	UF9048001	1	PAPER WIDTH SENSER ACTUATOR	
24*	UD6191001	1	PLATEN	
25	087310615	3	TAPTITE, CUP B M3X6	
26	UG6032001	1	1ST-BIN SENSOR PCB ASSY	
27	UG6006001	1	SENSOR-MAIN HARNESS	
28	087311016	1	TAPTITE, CUP B M3X10	
29	UF9049001	1	1ST BIN SENSOR PCB HOLDER	
30	087311016	2	TAPTITE, CUP B M3X10	
31	UF9204001	1	GROUNDING PLATE, CR-LF CHUTE	
32	087320516	1	TAPTITE, CUP S M3X5	

*(Asterisk mark) : Replacement requires special tool.

5. 58W111-040 PAPER FEED DRIVE



6. 58W111-041 MP TRAY



5. PAPER FEED DRIVE

REF.NO.	CODE	Q'TY	DESCRIPTION	REMARKS
1	Z26441001	1	LINE FEED MOTOR	
2	UG6007001	1	LINE FEED MOTOR HARNESS	
3	0A5300605	2	SCREW, PAN (S/P WASHER) M3X6	
4*	087311016	1	TAPTITE, CUP B M3X10	
5*	UD6043000	1	IDLE GEAR 3	
6*	UD6044000	1	IDLE GEAR 4	
7*	048080142	1	RETAINING RING, C8	
8	UF9060001	1	GEAR HOLER ASSY	
9	087311016	1	TAPTITE, CUP B M3X10	
10	UF9059001	1	IDLE GEAR 23	
11	UD6041000	1	LINE FEED IDLE GEAR 240	
12	UF9155001	1	GROUNDING PLATE, REGISTRATION ROLLER	
13	087311016	1	TAPTITE, CUP B M3X10	
14	UF9067001	1	GROUNDING PLATE, CB-LF	
15	087311016	1	TAPTITE, CUP B M3X10	
16	087320516	1	TAPTITE, CUP S M3X5	

* (Asterisk mark) : Replacement requires special tool.

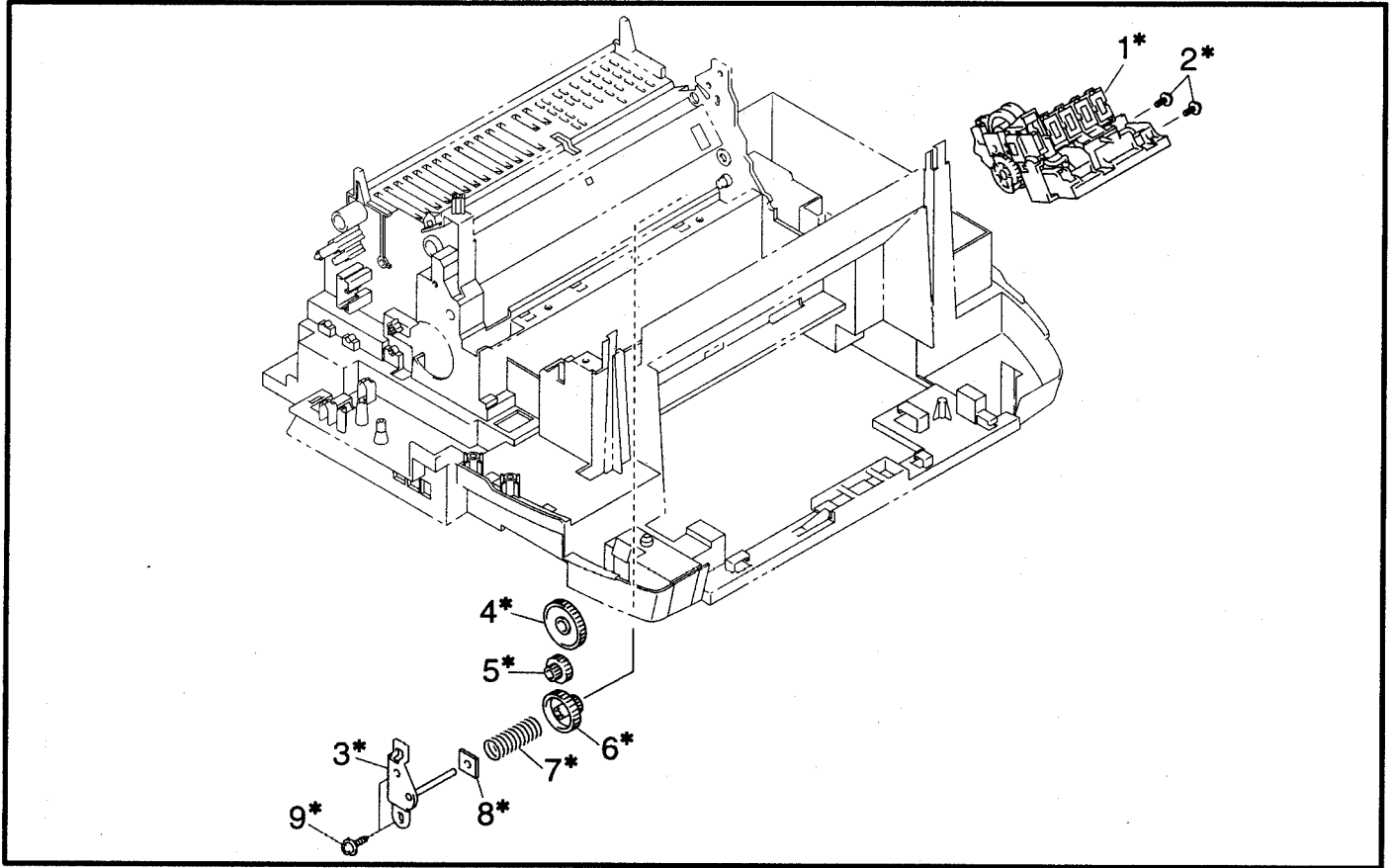
MODEL MC-3000 58W111-040

6. MP TRAY

REF.NO.	CODE	Q'TY	DESCRIPTION	REMARKS
1	UF9260001	1	MP TRAY ASSY (SP)	

MODEL MC-3000 58W111-041

7. 58W111-050 PURGE UNIT



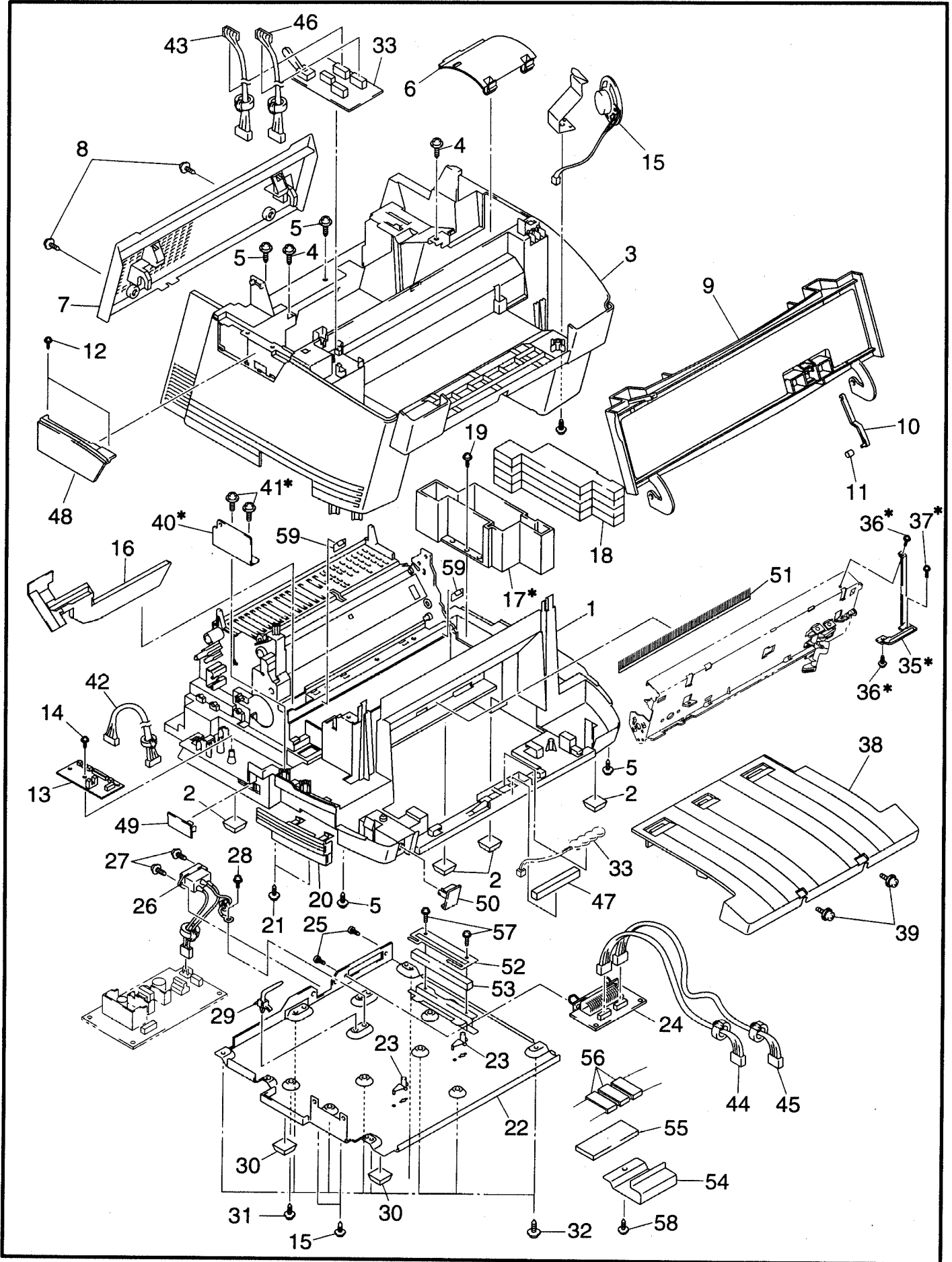
7. PURGE UNIT

REF.NO.	CODE	Q'TY	DESCRIPTION	REMARKS
1*	UF9230001	1	PURGE UNIT M	
2*	0A5300605	2	SCREW, PAN (S/P WASHER) M3X6	
3*	UF9089001	1	PURGE GEAR FRAME ASSY	
4*	UD6067000	1	PURGE GEAR 1	
5*	UD6068000	1	PURGE GEAR 2	
6*	UD6069000	1	PURGE GEAR 3	
7*	UD6070001	1	SPRING, COMPRESSION	
8*	UD6190001	1	PURGE GEAR SPACER	
9*	087310615	2	TAPTITE, CUP B M3X6	

* (Asterisk mark) : Replacement requires special tool.

MODEL MC-3000 58W111-050

8. 58W111-060 COVER



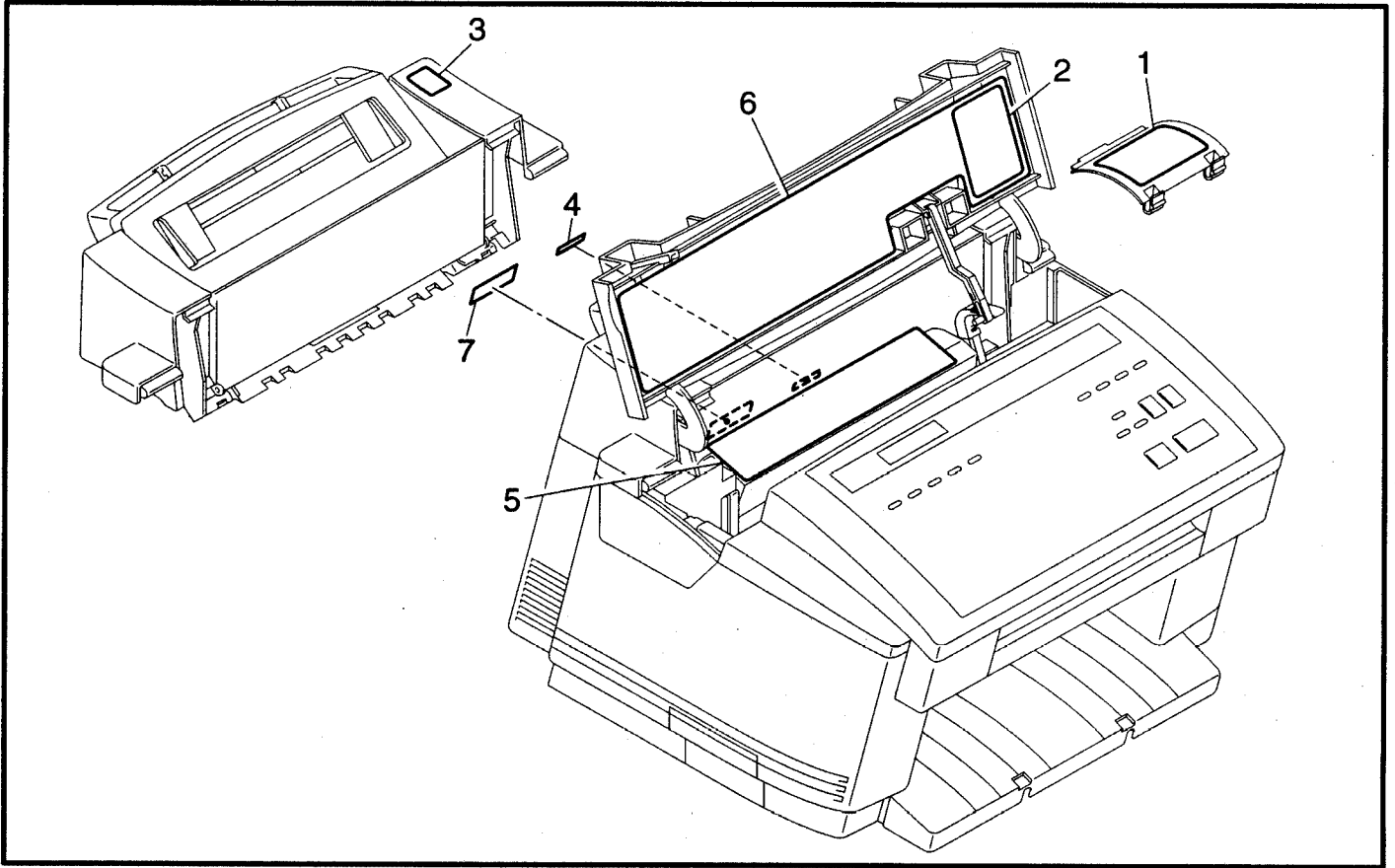
8. COVER

REF.NO.	CODE	QTY	DESCRIPTION	REMARKS
1	UF9091001	1	MAIN FRAME, WHITE(1138)	
2	UL5600001	4	RUBBER FOOT	
3	UF9092001	1	MAIN COVER, WHITE(1138)	
4	087311016	2	TAPTITE, CUP B M3X10	
5	087411015	4	TAPTITE, CUP B M4X10	
6	UF9093001	1	HEAD COVER, WHITE(1138)	
7	UF9094001	1	REAR COVER, WHITE(1138)	
8	087311016	2	TAPTITE, CUP B M3X10	
9	UF9095001	1	TOP COVER, WHITE(1138)	
10	UF9191001	1	OPEN LINK, WHITE(1138)	
11	UF9239001	1	TUBE	
12	087311016	2	TAPTITE, CUP B M3X10	
13	UG6035001	1	HOOK SWITCH PCB ASSY	
14	087311016	1	TAPTITE, CUP B M3X10	
15	U38847001	1	SPEAKER UNIT MC	
16	UF9196001	1	FLUSHING BOX	
17*	UF9105001	1	DRAIN BOX	
18	UF9250001	1	INK ABSORBER	
19	087311016	1	TAPTITE, CUP B M3X10	
20	UF9108001	1	LAN COVER, WHITE(1138)	
21	0A5300805	2	SCREW, PAN (S/P WASHER) M3X8	
22	UD6596001	1	BOTTOM PLATE ASSY	
23	UL5603000	2	CARD SPACER	
24	UG6039001	1	CENTRO PCB ASSY	
25	002300615	2	SCREW, PAN M3X6	
26	UG6017001	1	INLET ASSY	
27	0A5300805	2	SCREW, PAN (S/P WASHER) M3X8	
28	UF6559001	1	SCREW, PAN (WASHER) M4X8DB	
29	T22687001	1	SNAP BAND SG130	
30	UL5600001	2	RUBBER FOOT	
31	087320516	1	TAPTITE, CUP S M3X5	
32	087311016	8	TAPTITE, CUP B M3X10	
33	UG6037001	1	COVER SENSOR PCB ASSY	
34	UG3188001	1	BATTERY ASSY	
35	UF9163001	1	GROUNDING PLATE, CR-BOTTOM PLATE	
36	087320516	2	TAPTITE, CUP S M3X5	
37	087311016	1	TAPTITE, CUP B M3X10	
38	UF9101001	1	PAPER EJECTION COVER, WHITE	
39	0A5300805	2	SCREW, PAN (S/P WASHER) M3X8	
40	UF9208001	1	CR REINFORCEMENT L	
41	087311016	2	TAPTITE, CUP B M3X10	
42	UG6009001	1	HOOK SWITCH HARNESS	
43	UG6012001	1	COVER-MAIN HERNESS	
44	UG6013001	1	CENTRO HARNESS A	
45	U38848001	1	CENTRO HARNESS B MC	
46	UG6096001	1	COVER-MAIN HARNESS B	
47	UF9205001	1	HARNESS SUPPORT	
48	UD6502001	1	HANDSET COVER	
49	UD6503001	1	MODULAR PORT COVER	
50	UD6501001	1	VC COVER	
51	UF9213001	1	ANTI-STATIC BRUSH	
52	UD6595000	1	IF HARNESS BOX COVER	
53	UD6593001	1	IF HARNESS HOLDER	
54	UD6597001	1	FFC CORE HOLDER	
55	UD6598001	1	FFC CORE SPACER	
56	U38738000	3	FERRITE CORE 1	
57	087320516	2	TAPTITE, CUP S M3X5	
58	087311016	1	TAPTITE, CUP B M3X10	
59	UD6605001	2	PAPER EJECT GUIDE PLATE	

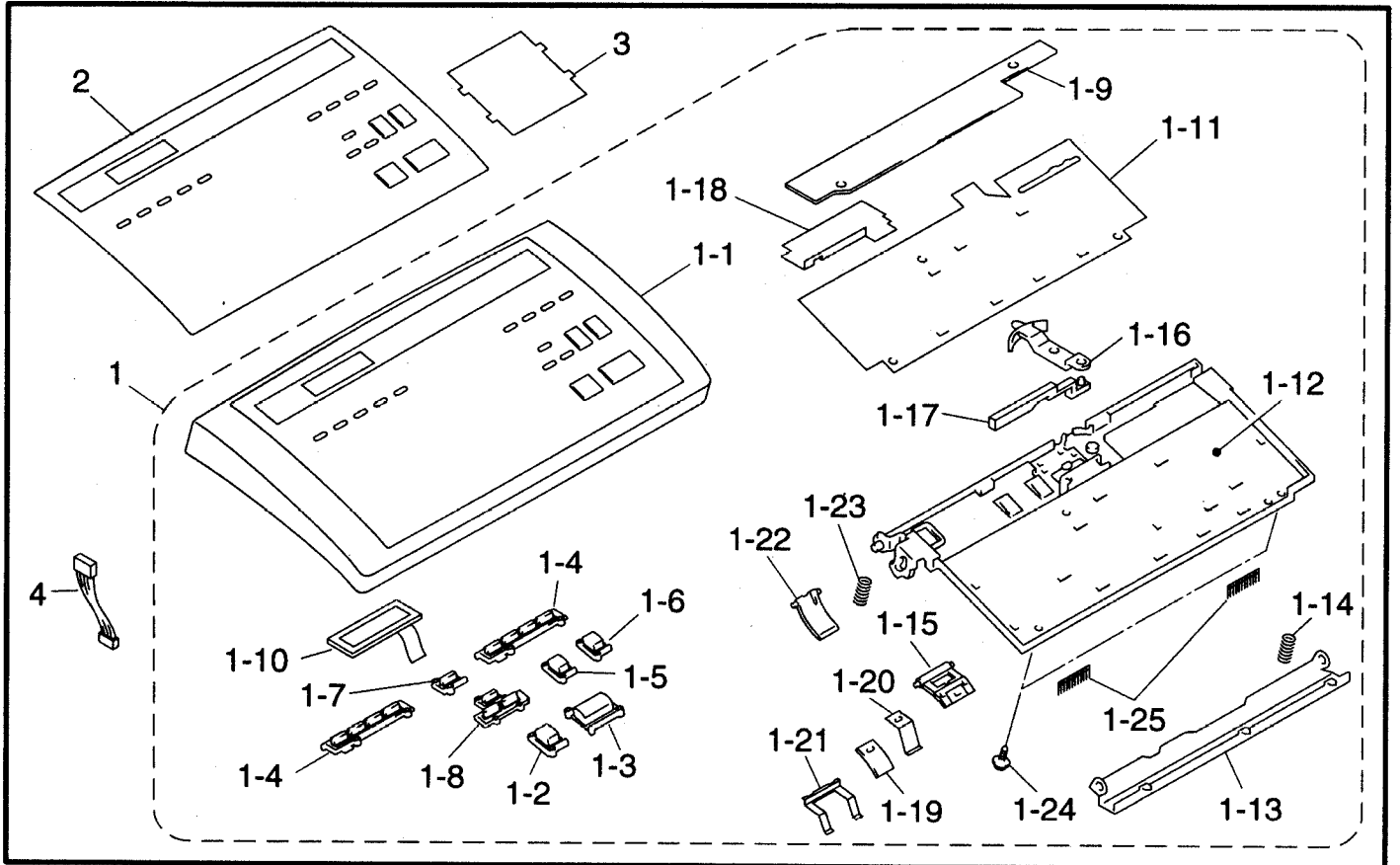
* (Asterisk mark) : Replacement requires special tool.

MODEL MC-3000 58W111-060

9. 58W111-069 LABEL



10. 58W111-070 CONTROL PANEL



9. LABEL

REF.NO.	CODE	Q'TY	DESCRIPTION	REMARKS
1	UF9144001	1	PAPER TYPE GUIDANCE LABEL	
2	UD6255001	1	CAUTION LABEL	
3	UD6509001	1	LABEL, B-LOGO MC	
4	UH2534001	1	HOT LINE LABEL	
5	UD6556001	1	PROTECTION FILM	
6	UD6558001	1	OPEN COVER FILM	
7	UH2519001	1	MARKING LABEL, SE/NE	

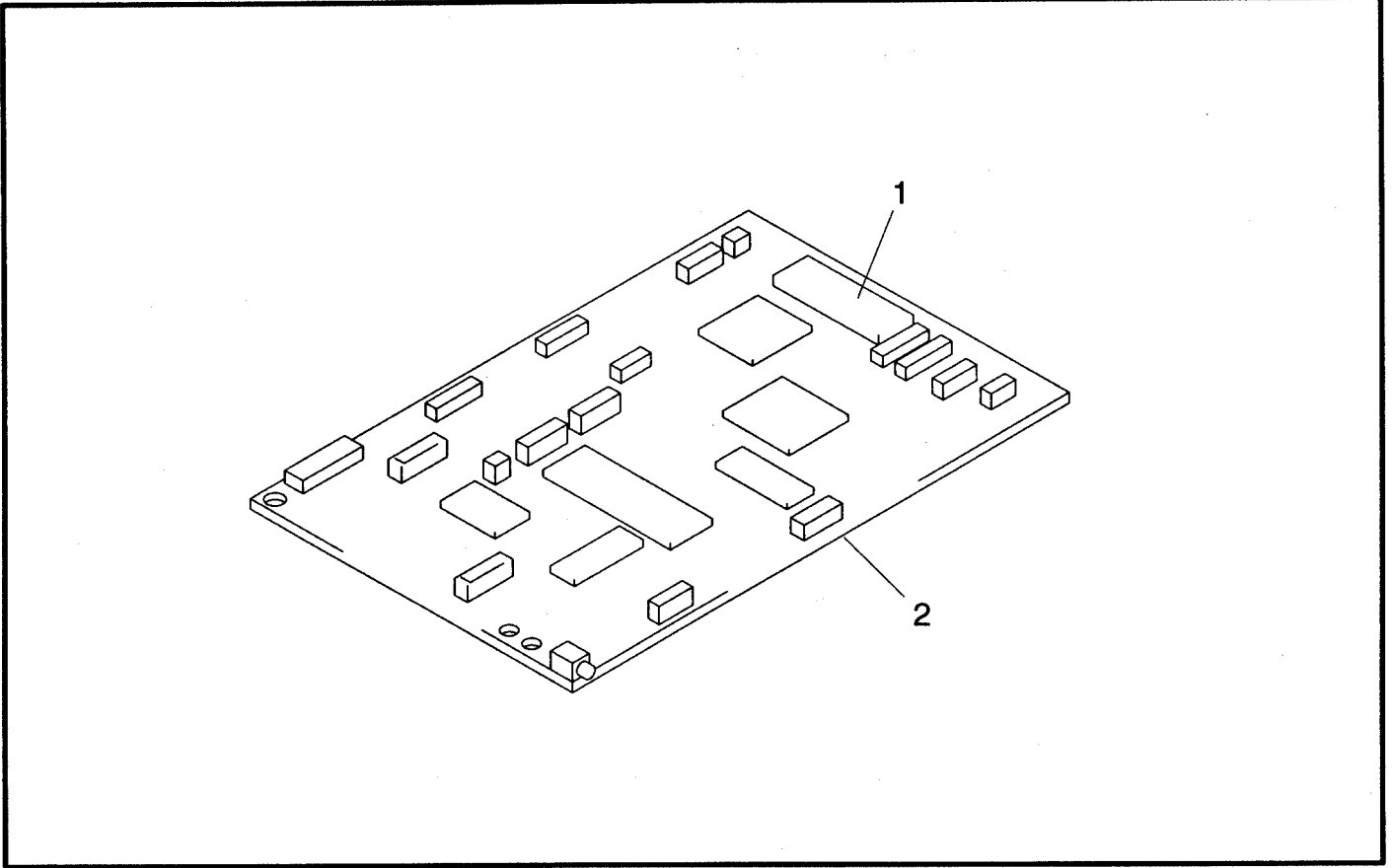
MODEL MC-3000 58W111-069

10. CONTROL PANEL

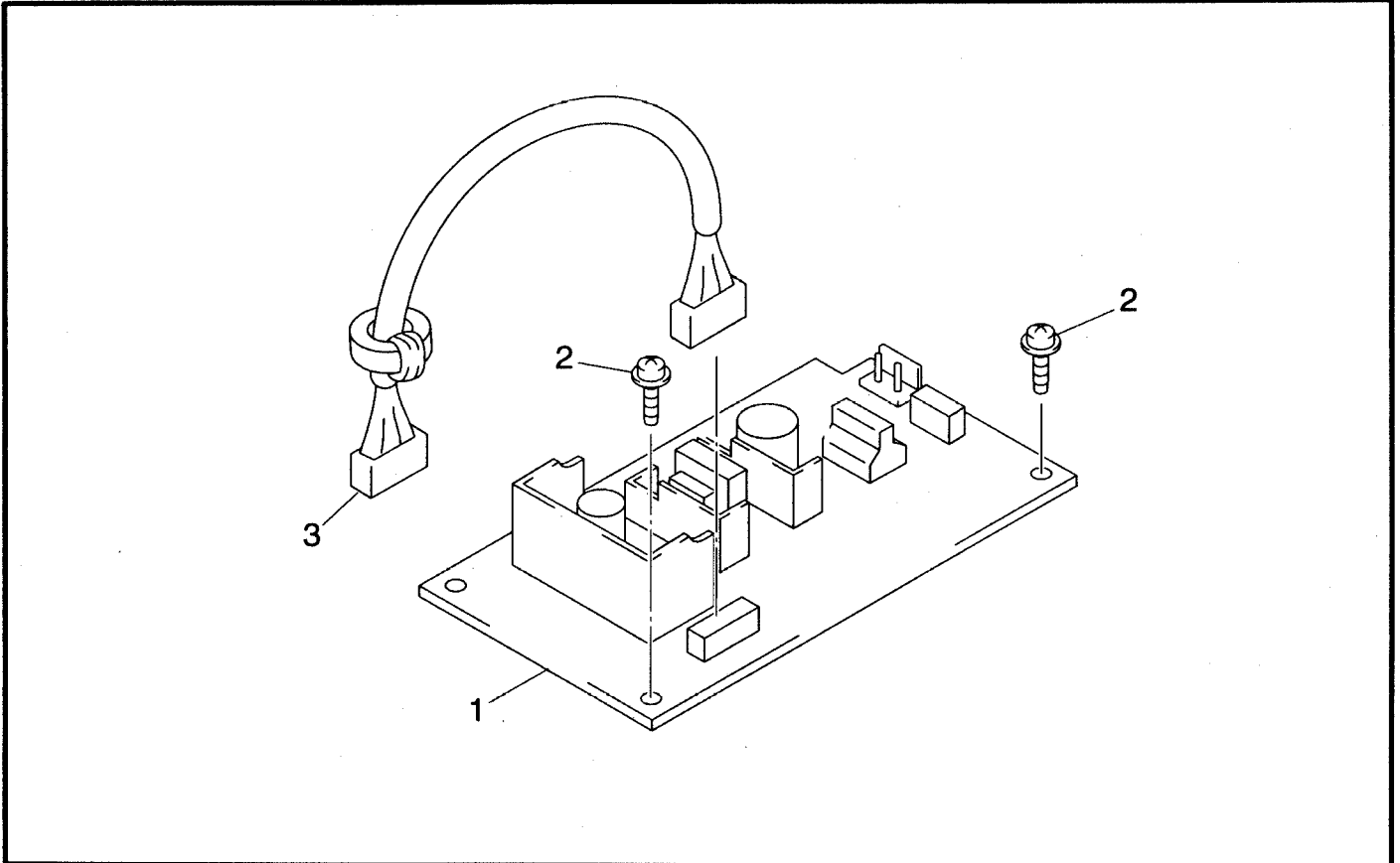
REF.NO.	CODE	Q'TY	DESCRIPTION	REMARKS
1	UD6554001	1	PANEL ASSY MC	
1-1	UF9117001	1	CONTROL PANEL COVER, WHITE(1138)	
1-2	UD6505001	1	KEY, ON/OFF	
1-3	UF8172003	1	KEY, START	
1-4	UF9118001	2	KEY, FUNCTION	
1-5	UF8174001	1	KEY, COPY	
1-6	UF8174002	1	KEY, COPY	
1-7	UF5581005	1	KEY, FUNCTION 91	
1-8	UF9120001	1	KEY, MODE, GRAY(1267)	
1-9	UG6041001	1	PANEL PCB ASSY	
1-10	UG4162000	1	LCD:LMG1622-NPR#	
1-11	UG6044001	1	FPC KEY	
1-12	UF9121001	1	PANEL REAR COVER	
1-13	UF7155001	1	DOCUMENT PRESSURE BAR	
1-14	UF4404001	1	SPRING, COMPRESSION	
1-15	UF9122001	1	SEPARATION RUBBER HOLER	
1-16	UF9123001	1	ADF RELEASE LEVER	
1-17	UF9124001	1	ADF SLIDE CAM	
1-18	UF9125001	1	INSULATION SHEET	
1-19	UF7158000	1	SEPARATION RUBBER	
1-20	UF7159001	1	ADF SPRING PLATE	
1-21	UF7160001	1	SPRING PLATE, ADF FRONT	
1-22	UF7161000	1	DOCUMENT INHALER	
1-23	UF7162001	1	SPRING, COMPRESSION	
1-24	087310815	2	TAPTITE, CUP B M3X8	
1-25	UF9215001	2	ANTI-STATIC BRUSH	
2	UD6516001	1	OVERLAY MC-3000	
3	UD6557001	1	OVERLAY SPACER	
4	UG6016001	1	PANEL-MAIN HARNESS	

MODEL MC-3000 58W111-070

11. 58W111-100/101 MAIN PCB



12. 58W111-200 POWER SUPPLY



11. MAIN PCB

REF.NO.	CODE	Q'TY	DESCRIPTION	REMARKS
1	UG6106001	1	PROM:PRINTER	
2	UD6645001	1	MAIN PCB ASSY (SP)	

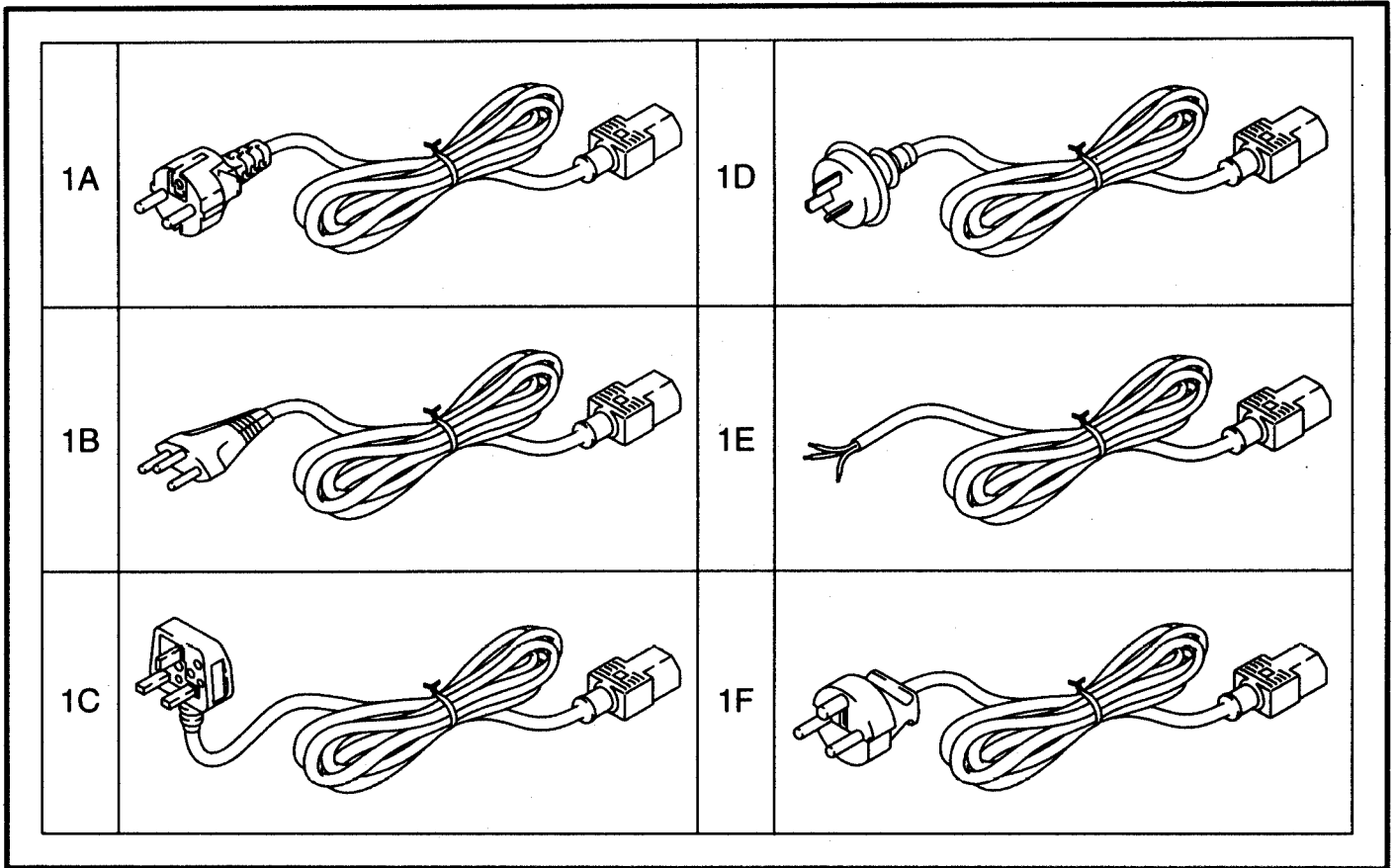
MODEL MC-3000 58W111-100/101

12. POWER SUPPLY

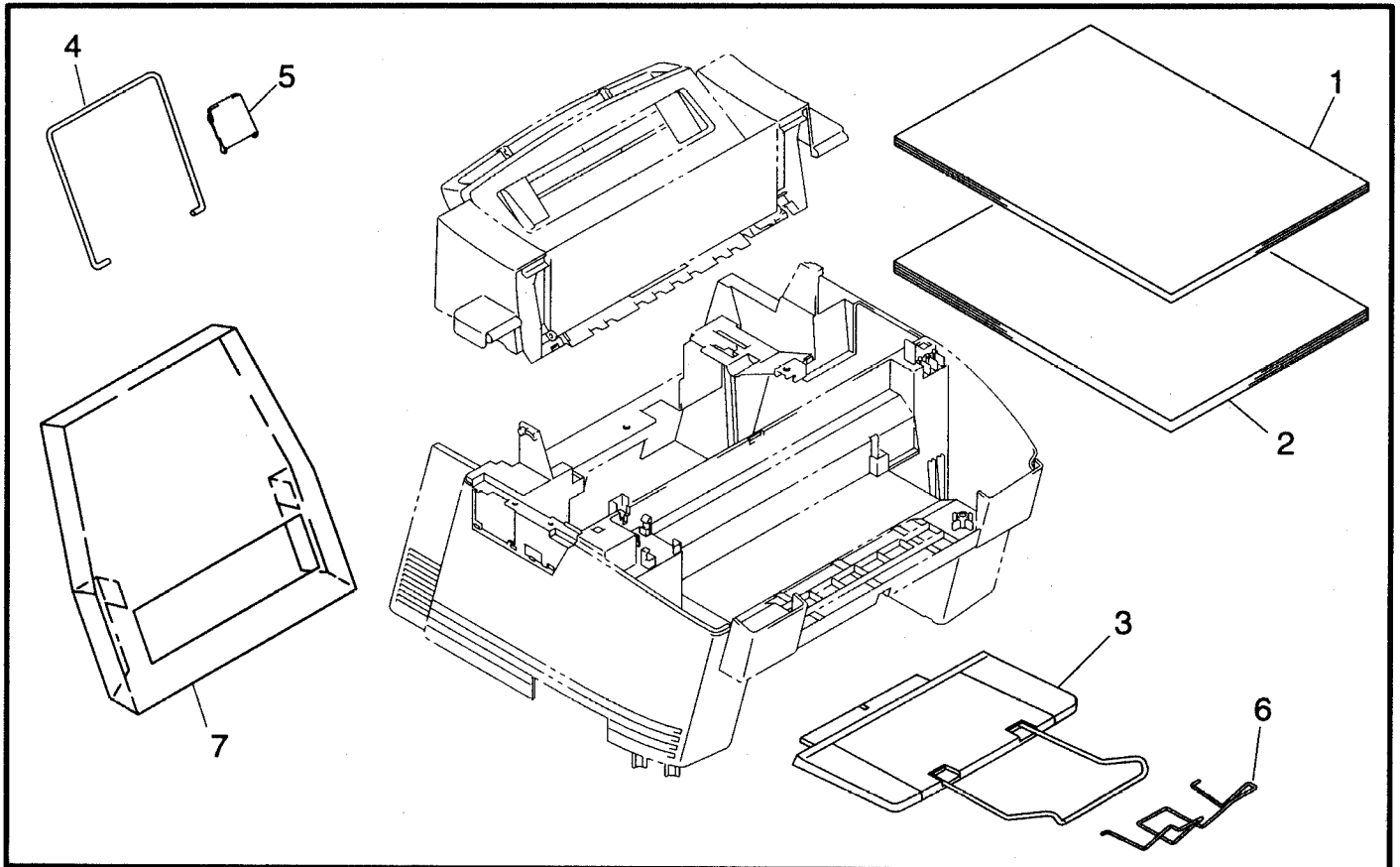
REF.NO.	CODE	Q'TY	DESCRIPTION	REMARKS
1	U38827001	1	POWER SUPPLY UNIT 02	
2	087320516	2	TAPTITE, CUP S M3X5	
3	UG6018001	1	POWER-MAIN HARNESS	

MODEL MC-3000 58W111-200

13. 58W111-450 POWER CORD



14. 58W111-910 ATTACHMENT



13. POWER CORD

REF.NO.	CODE	Q'TY	DESCRIPTION	REMARKS
1-a	UH1052001	1	AC CORD, VDE	
1-b	UH1053001	1	AC CORD, SEV	
1-c	UH1054001	1	AC CORD, BS	
1-d	UH1055001	1	AC CORD, SAA	
1-e	U34320001	1	AC CORD #4, BS	
1-f	U34321001	1	AC CORD #5, DEMKO	

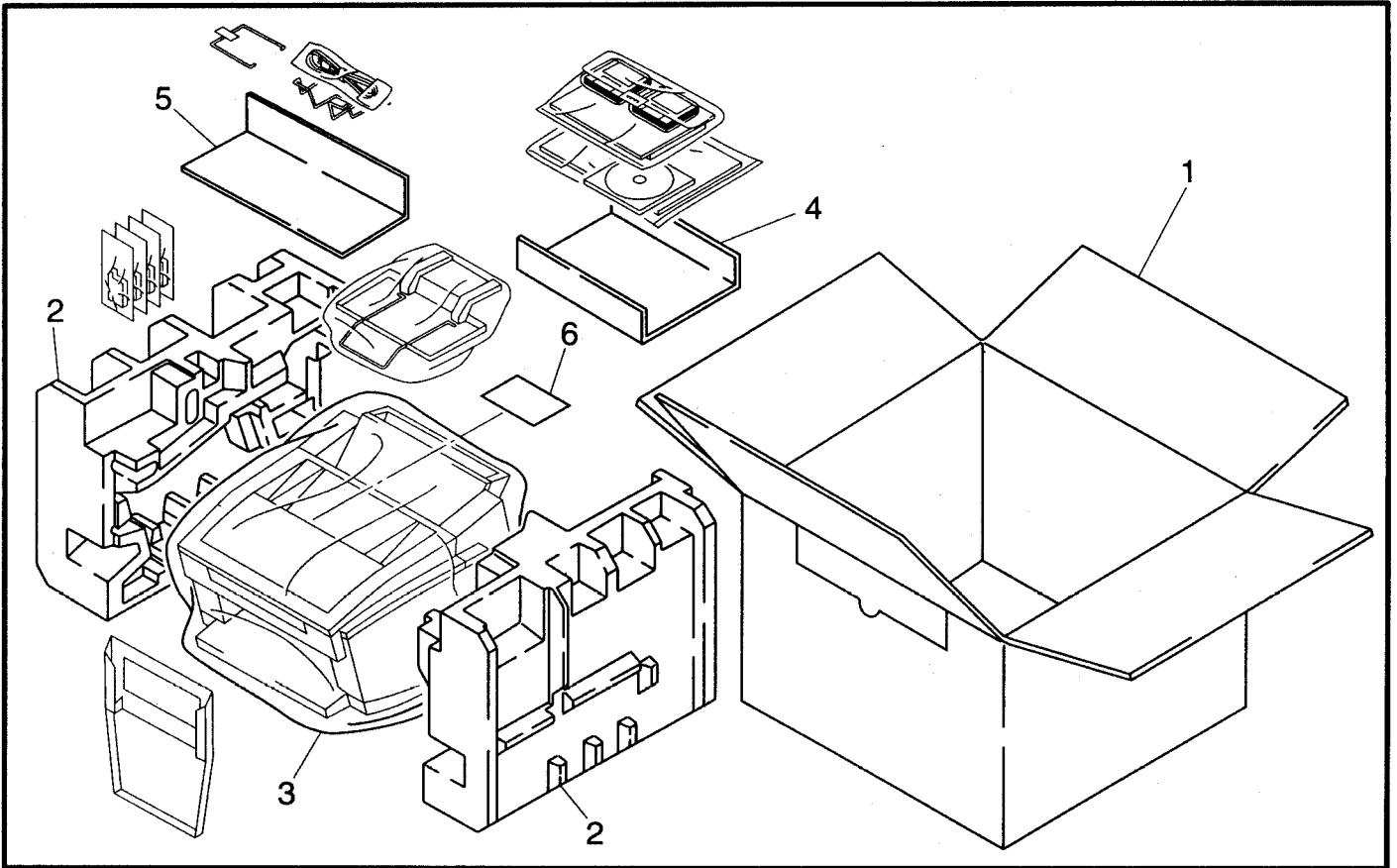
MODEL MC-3000 58W111-450

14. ATTACHMENT

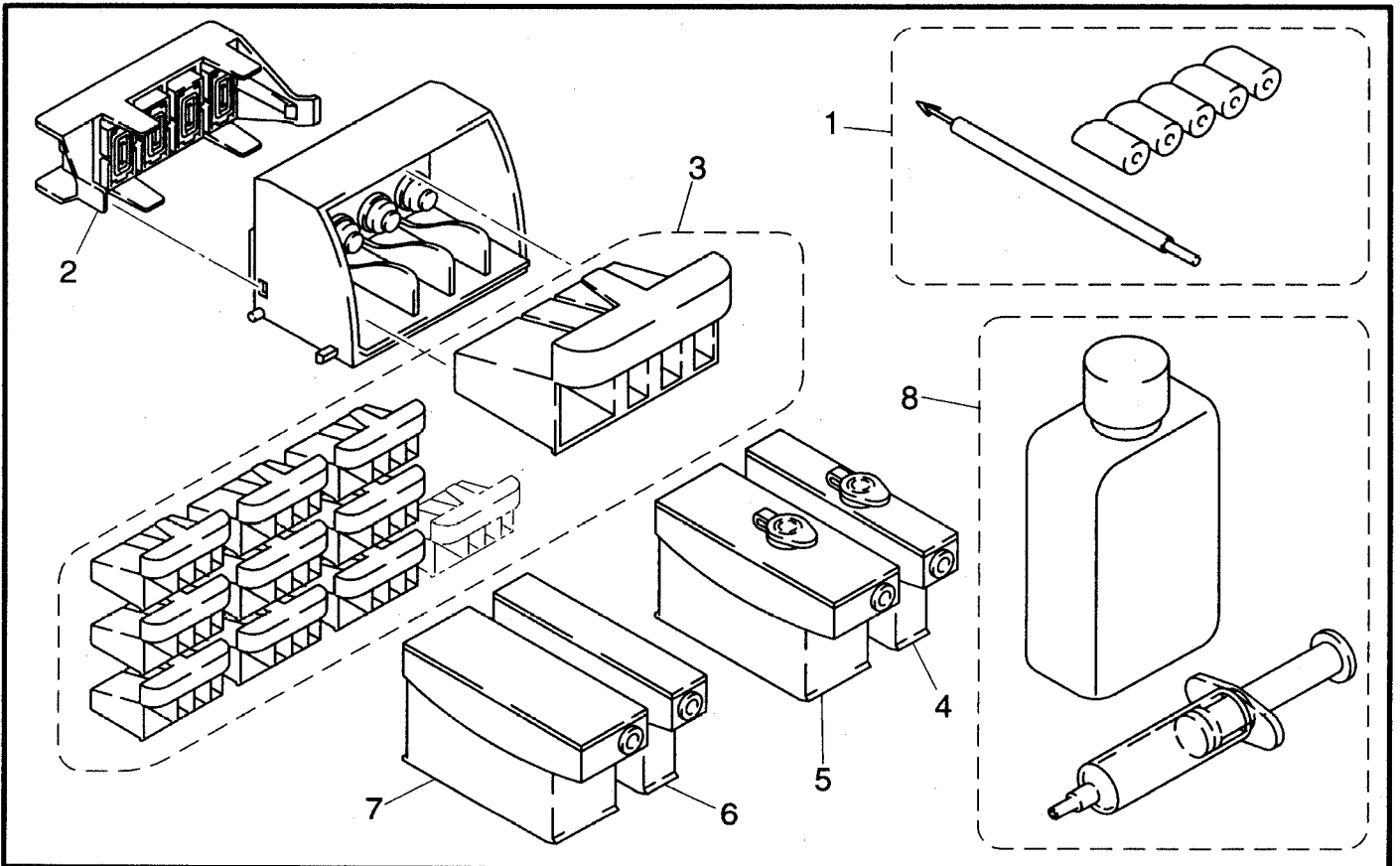
REF.NO.	CODE	Q'TY	DESCRIPTION	REMARKS
1	UD6510001	1	USERS GUIDE ENG	
1	UD6511001	1	USERS GUIDE GER	
1	UD6512001	1	USERS GUIDE FRA	
1	UD6628001	1	USERS GUIDE HOLLAND	
2	UD6513001	1	SETUP GUIDE ENG	
2	UD6514001	1	SETUP GUIDE GER	
2	UD6515001	1	SETUP GUIDE FRA	
2	UD6633001	1	SETUP GUIDE HOLLAND	
3	UF9131001	1	DOCUMENT EJECT TRAY ASSY	
4	UL6856000	1	TRAY EXTENSION	
5	UF8048001	1	DOCUMENT SUPPORT	
6	UF9103001	1	PAPER TRAY	
7	UL6955001	1	DUST COVER	

MODEL MC-3000 58W111-910

15. 58W111-940 PACKING MATERIAL



16. 54W111-940 OTHERS



15. PACKING MATERIAL

REF.NO.	CODE	Q'TY	DESCRIPTION	REMARKS
1	UE0626001	1	CARTON MC-3000 EU	
2	UE1597001	1	STYROFORM	
3	UE1688001	1	BAG 1000X1000H	
4	UE1647001	1	PAD FOR MANUAL	
5	UE1648001	1	PAD FOR ACCESSORY	
6	UF0443001	1	PROTECTION PAPER	

MODEL MC-3000 58W111-930

16. OTHER

REF.NO.	CODE	Q'TY	DESCRIPTION	REMARKS
1	ZA0310001	1	HEAD CLEANER STICK ASSY	
2	ZA0315001	1	HEAD NOZZLE PROTECTOR	
3	ZA0316001	1	HEAD FILTER COVER	
4	ZA0311001	1	PRIMER LIQUID CARTRIDGE 9	
5	ZA0312001	1	PRIMER LIQUID CARTRIDGE 18	
6	ZA0305001	1	DUMMY CARTRIDGE 9	
7	ZA0306001	1	DUMMY CARTRIDGE 18	
8	ZA0304001	1	PRIMER LIQUID ASSY	

MODEL MC-3000 58W111-940